



US00D897916S

(12) **United States Design Patent**  
**Yao**

(10) **Patent No.:** **US D897,916 S**

(45) **Date of Patent:** **\*\* Oct. 6, 2020**

(54) **CAR INNER FENDER**

(71) Applicant: **Jianmei Yao**, Shenzhen (CN)

(72) Inventor: **Jianmei Yao**, Shenzhen (CN)

(\*\*) Term: **15 Years**

(21) Appl. No.: **29/736,769**

(22) Filed: **Jun. 3, 2020**

(51) **LOC (12) Cl.** ..... **12-16**

(52) **U.S. Cl.**  
USPC ..... **D12/184**

(58) **Field of Classification Search**  
USPC .... D12/90, 91, 92, 114, 169, 181, 184, 185,  
D12/190, 195, 196, 203  
CPC ..... B62D 25/16; B62D 25/161; B62D 25/02;  
B62D 25/04; B60J 5/00; B60J 5/02; B60J  
5/04; B60J 5/10  
See application file for complete search history.

(56) **References Cited**

**U.S. PATENT DOCUMENTS**

6,155,624	A *	12/2000	Bienenstein, Jr. ...	B62D 25/161	280/847
D455,688	S *	4/2002	Conway .....	D12/185	
D455,989	S *	4/2002	Conway .....	D12/185	
7,946,646	B2 *	5/2011	Kim .....	B62D 25/16	296/198
D785,522	S *	5/2017	McMath .....	D12/181	
D790,418	S *	6/2017	McMath .....	D12/181	

D797,623	S	9/2017	Kim	
D808,313	S	1/2018	Kim	
D870,620	S *	12/2019	Hallgren .....	D12/184
D870,621	S *	12/2019	McMath .....	D12/184
D883,157	S *	5/2020	McMath .....	D12/184
D883,158	S *	5/2020	McMath .....	D12/184

\* cited by examiner

*Primary Examiner* — Susan E Krakower  
*Assistant Examiner* — Jerry Shiuan-Hua Hsu

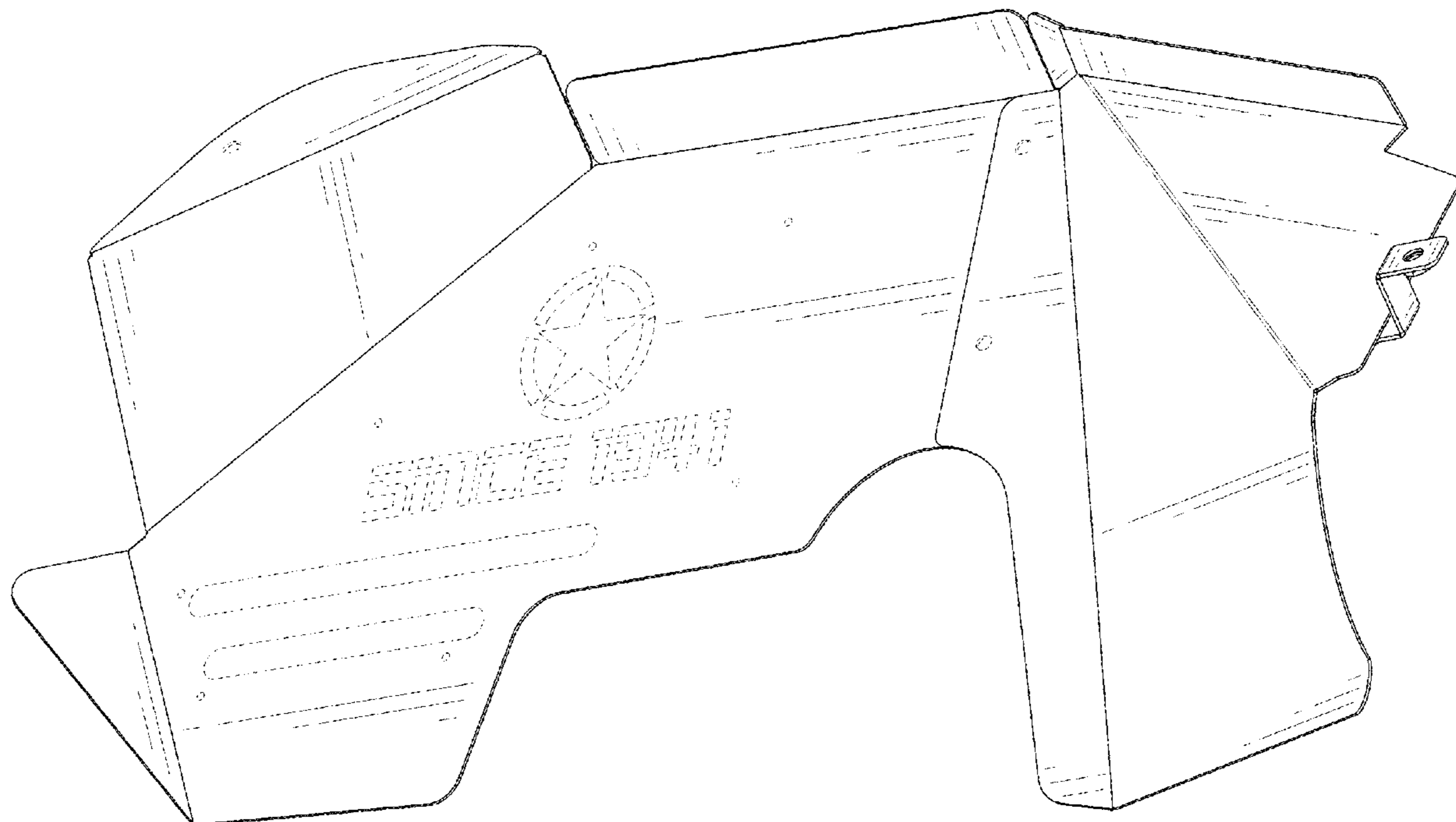
(57) **CLAIM**

The ornamental design for a car inner fender, as shown and described.

**DESCRIPTION**

FIG. 1 is a front, right perspective view of a car inner fender, showing my new design;  
FIG. 2 is a rear, left perspective view thereof;  
FIG. 3 is a front elevational view thereof;  
FIG. 4 is a rear elevational view thereof;  
FIG. 5 is a left side elevational view thereof;  
FIG. 6 is a right side elevational view thereof;  
FIG. 7 is a top plan view thereof; and,  
FIG. 8 is a bottom plan view thereof.  
The broken lines in the drawings depict portions of the car inner fender that form no part of the claimed design.

**1 Claim, 8 Drawing Sheets**



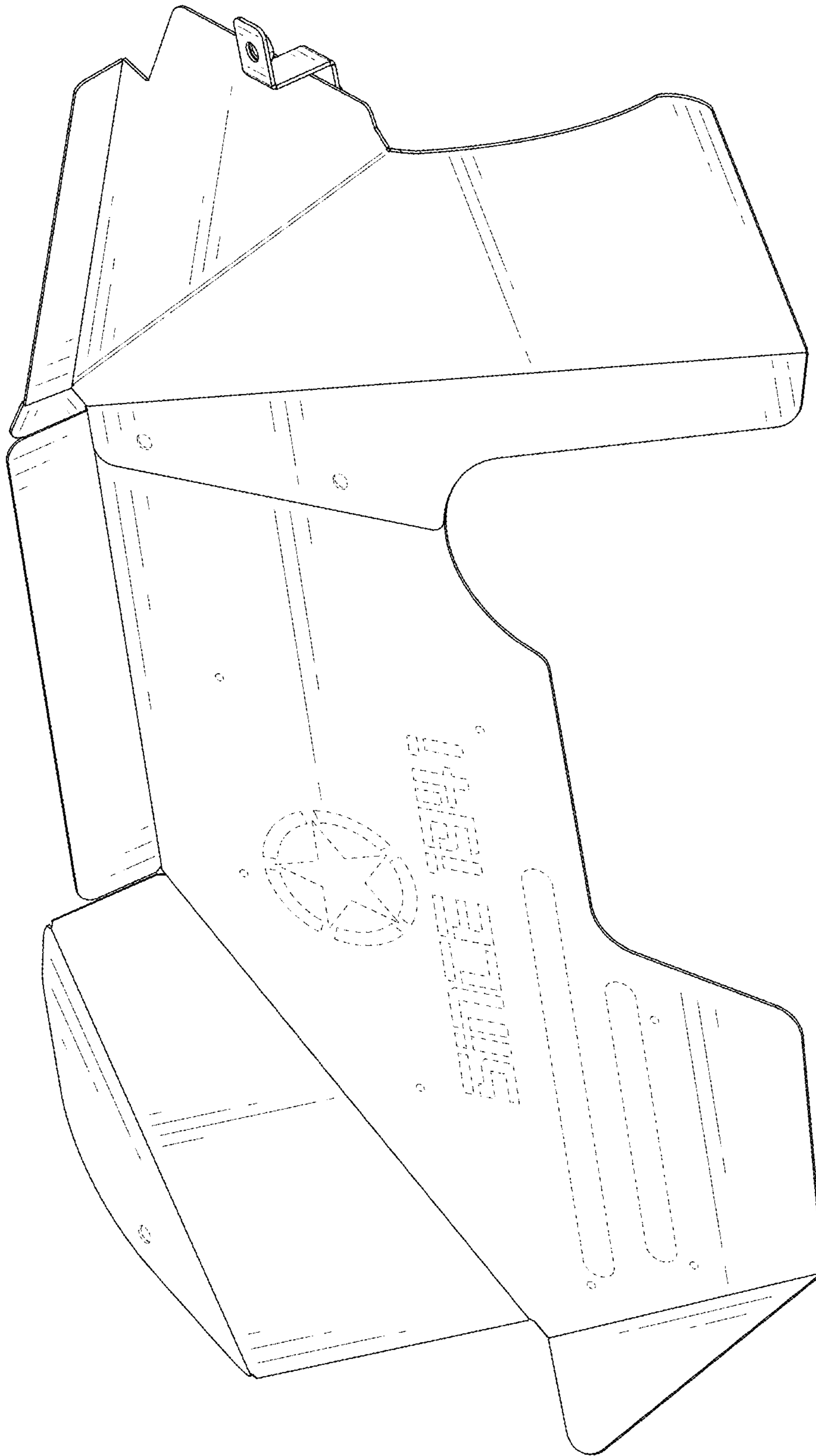


FIG. 1

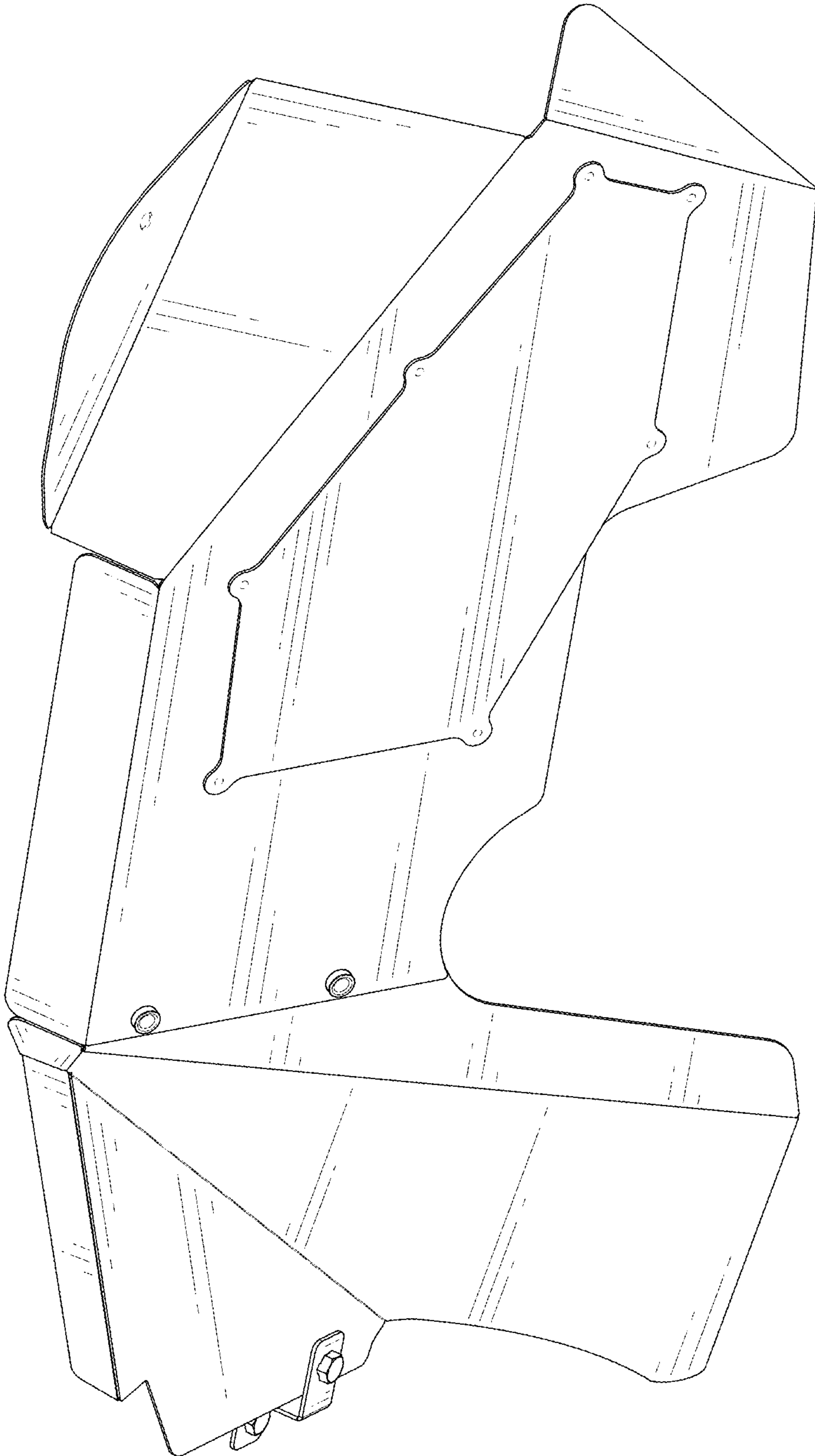


FIG. 2

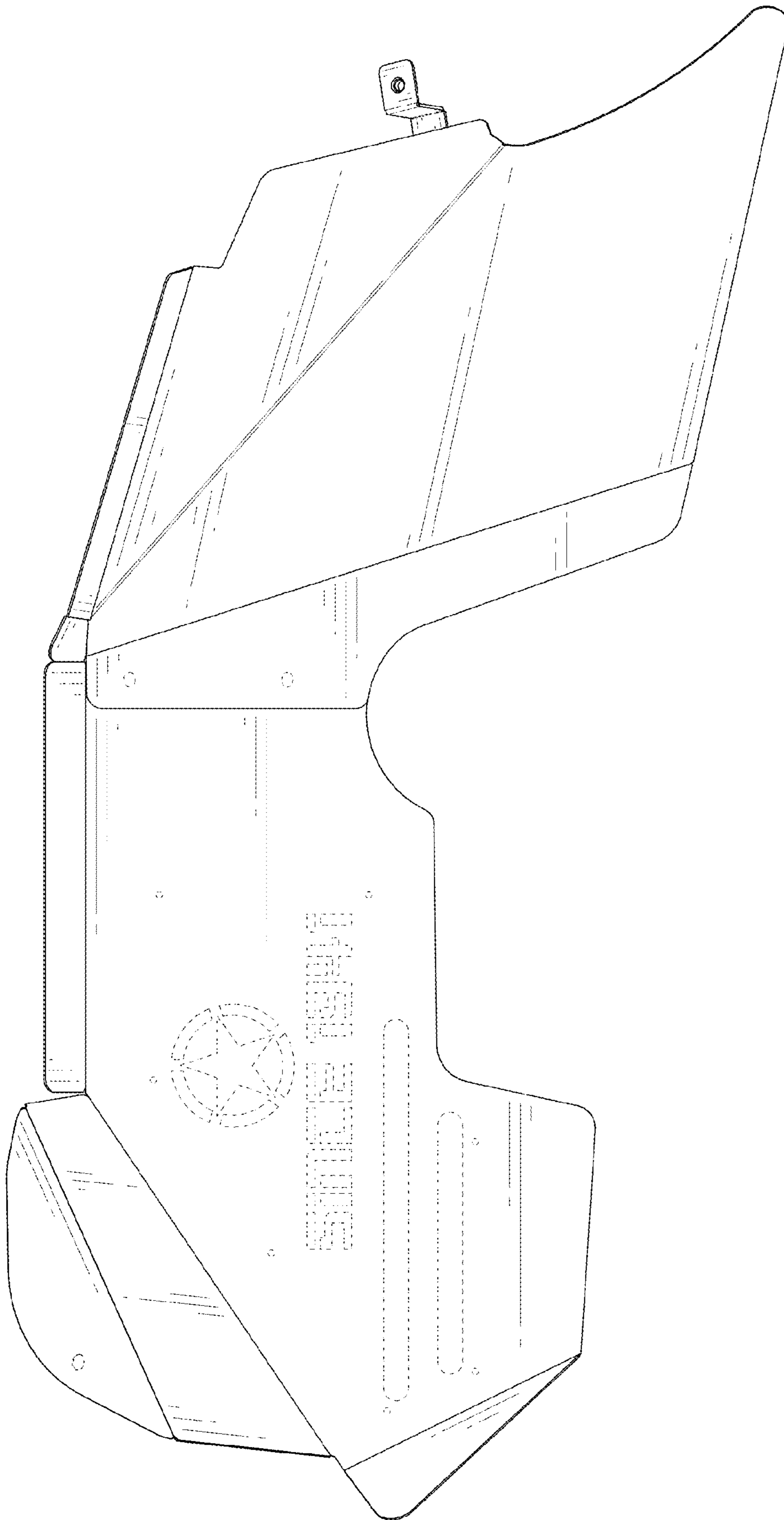


FIG. 3

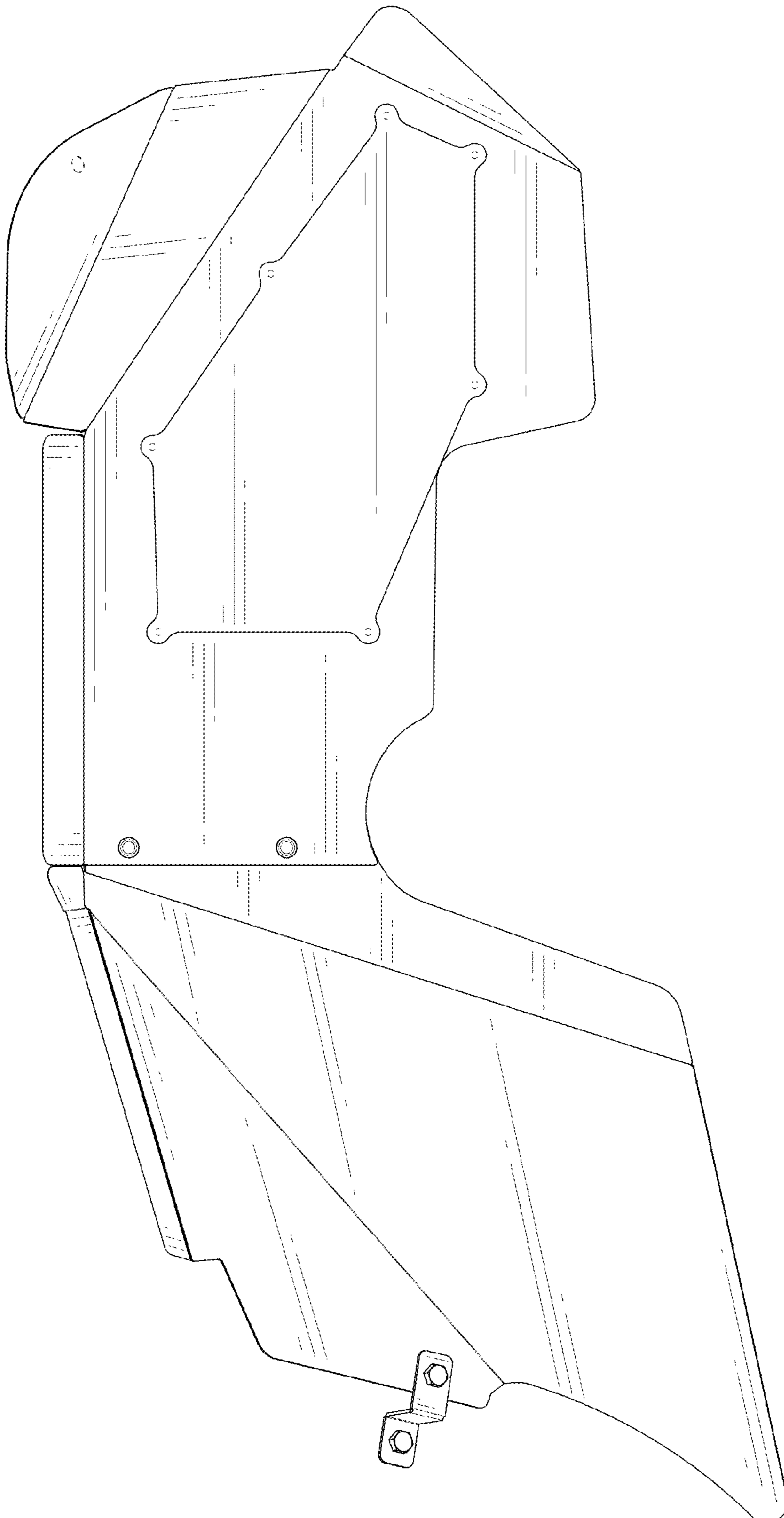


FIG. 4



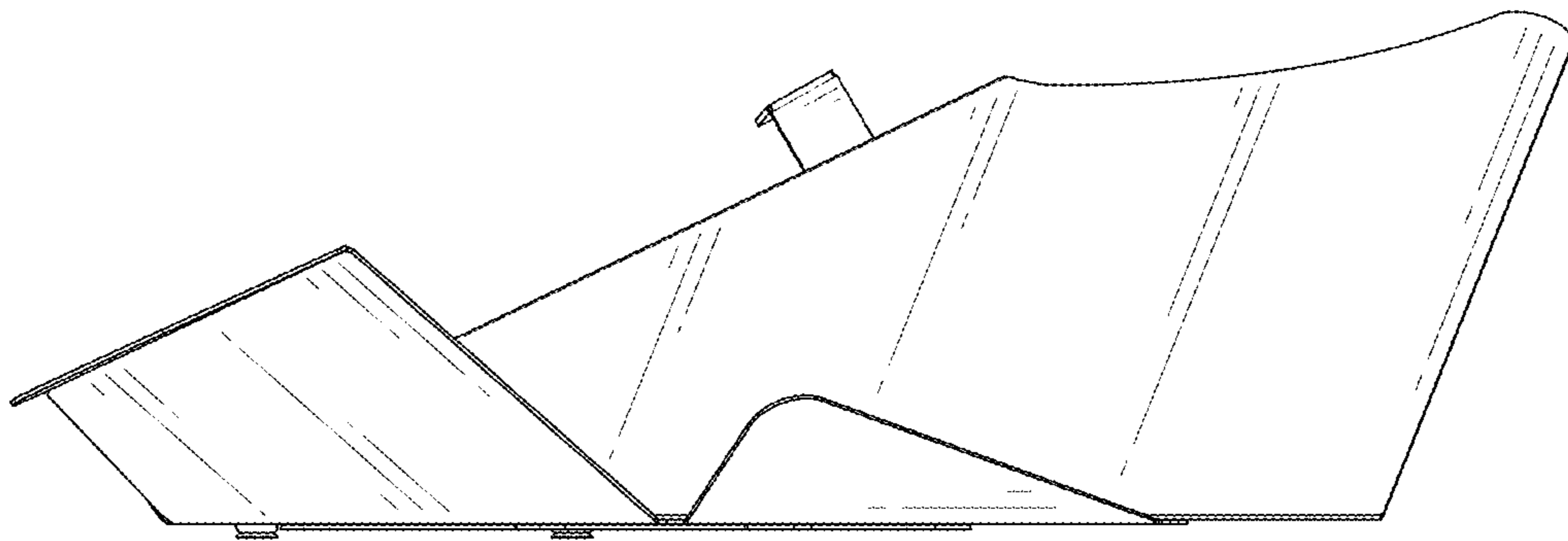


FIG. 5

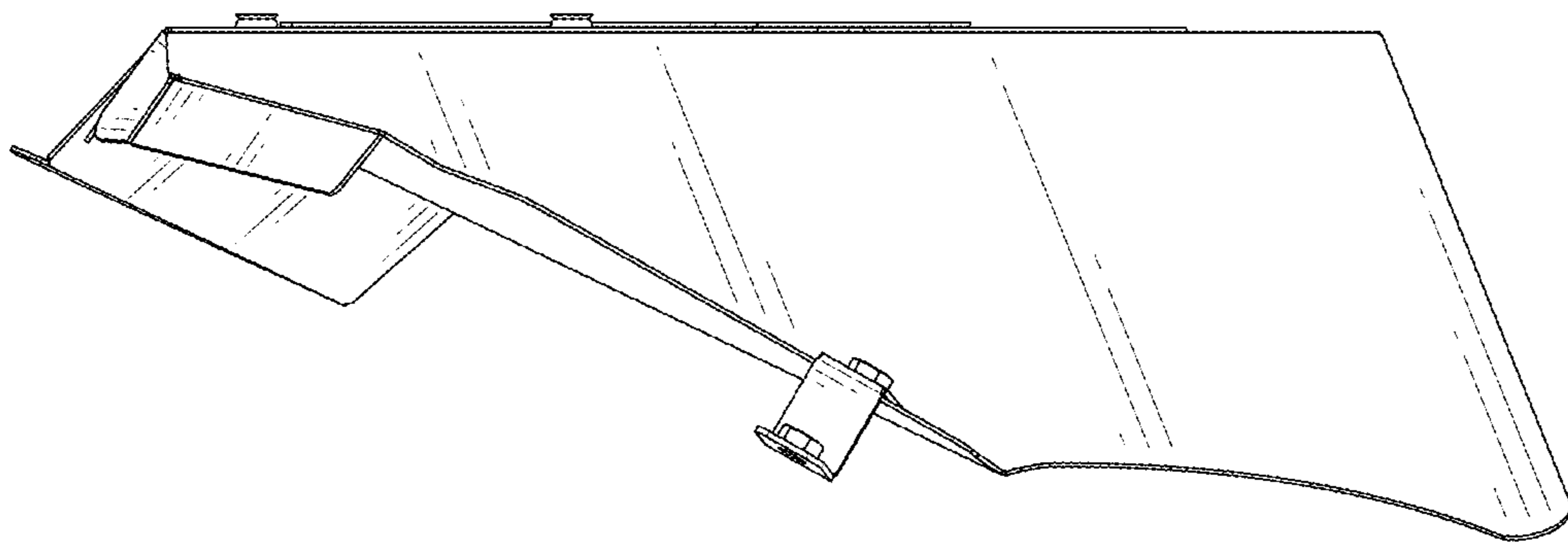


FIG. 6

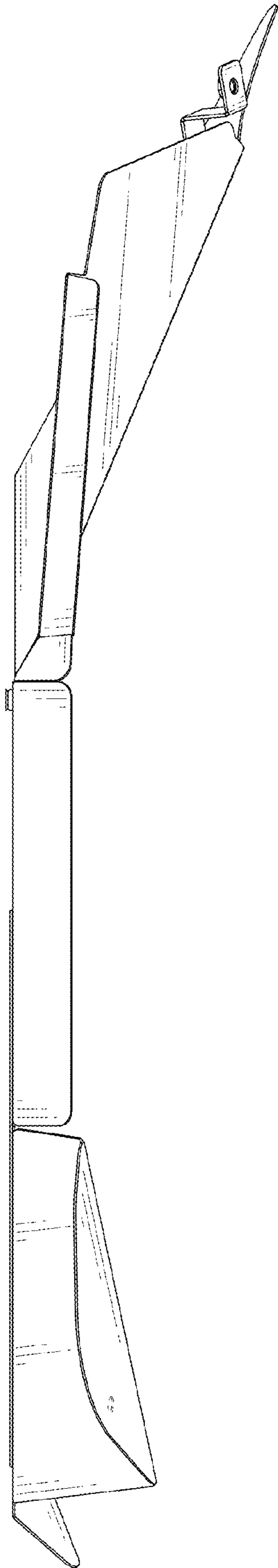


FIG. 7



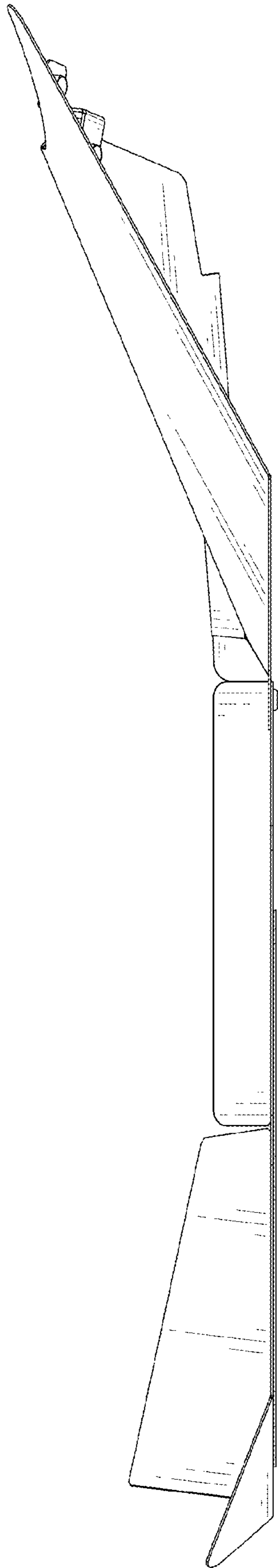


FIG. 8