



US00D897913S

(12) **United States Design Patent** (10) **Patent No.:** **US D897,913 S**  
**Godard et al.** (45) **Date of Patent:** **\*\* Oct. 6, 2020**

(54) **VEHICLE STEERING YOKE**  
(71) Applicant: **Tesla, Inc.**, Palo Alto, CA (US)  
(72) Inventors: **Felix Louis Godard**, Los Angeles, CA (US); **Joris Aerts**, Amsterdam (NL)  
(73) Assignee: **Tesla, Inc.**, Palo Alto, CA (US)  
(\*\*) Term: **15 Years**  
(21) Appl. No.: **29/658,944**  
(22) Filed: **Aug. 3, 2018**  
(51) **LOC (12) Cl.** ..... **12-16**  
(52) **U.S. Cl.**  
USPC ..... **D12/175**  
(58) **Field of Classification Search**  
USPC ..... D12/86, 163–164, 169, 173, 175, 177, D12/184, 196  
CPC ..... B60R 21/203; B60R 21/05; B62D 1/04  
See application file for complete search history.

(56) **References Cited**

U.S. PATENT DOCUMENTS

D135,167 S *	3/1943	Obszamy et al.	.....	D12/175
D138,079 S *	6/1944	Drew	.....	D12/175
D221,070 S *	7/1971	Munter	.....	D12/175
D297,028 S *	8/1988	McCann	.....	D12/175
D470,445 S *	2/2003	Wiedeman	.....	D12/175
D510,896 S *	10/2005	Hoelzel	.....	B62D 1/04
				D12/175
D569,773 S *	5/2008	Niebuhr	.....	D12/177
D619,516 S *	7/2010	Niebuhr	.....	D12/176
D626,714 S *	11/2010	Standke	.....	D34/35
D661,853 S *	6/2012	Dammkoehler	.....	D32/16
D679,228 S *	4/2013	Balko	.....	D12/175
D685,398 S *	7/2013	Graham	.....	D15/28
D737,184 S *	8/2015	Oosuda	.....	D12/175
D760,632 S *	7/2016	Muhl	.....	D12/175
D787,994 S *	5/2017	Carbone	.....	D12/175
D826,806 S *	8/2018	Nilsson	.....	D12/176
D839,802 S *	2/2019	Hilton	.....	B62D 1/04
				D12/175

D842,181 S \* 3/2019 Aruga ..... B60R 21/203  
D12/175  
D867,238 S \* 11/2019 Mariotti ..... B60R 21/203  
D12/175  
2001/0007294 A1\* 7/2001 Nigrin ..... B62D 1/04  
180/402  
2005/0121889 A1\* 6/2005 Enders ..... B60R 21/203  
280/731  
(Continued)

OTHER PUBLICATIONS

“Nissan BladeGlider Concept—Interior, 2013.” NetCarShow.com, published Nov. 13, 2013 (Retrieved from the Internet Dec. 13, 2019). Internet URL: <[https://web.archive.org/web/20131113010247/https://www.netcarshow.com/nissan/2013-bladeglider\\_concept/1280x960/wallpaper\\_12.htm](https://web.archive.org/web/20131113010247/https://www.netcarshow.com/nissan/2013-bladeglider_concept/1280x960/wallpaper_12.htm)> (Year: 2013).\*

Primary Examiner — Jack Reickel  
Assistant Examiner — Rachel A Voorhies  
(74) Attorney, Agent, or Firm — Knobbe, Martens, Olson & Bear, LLP

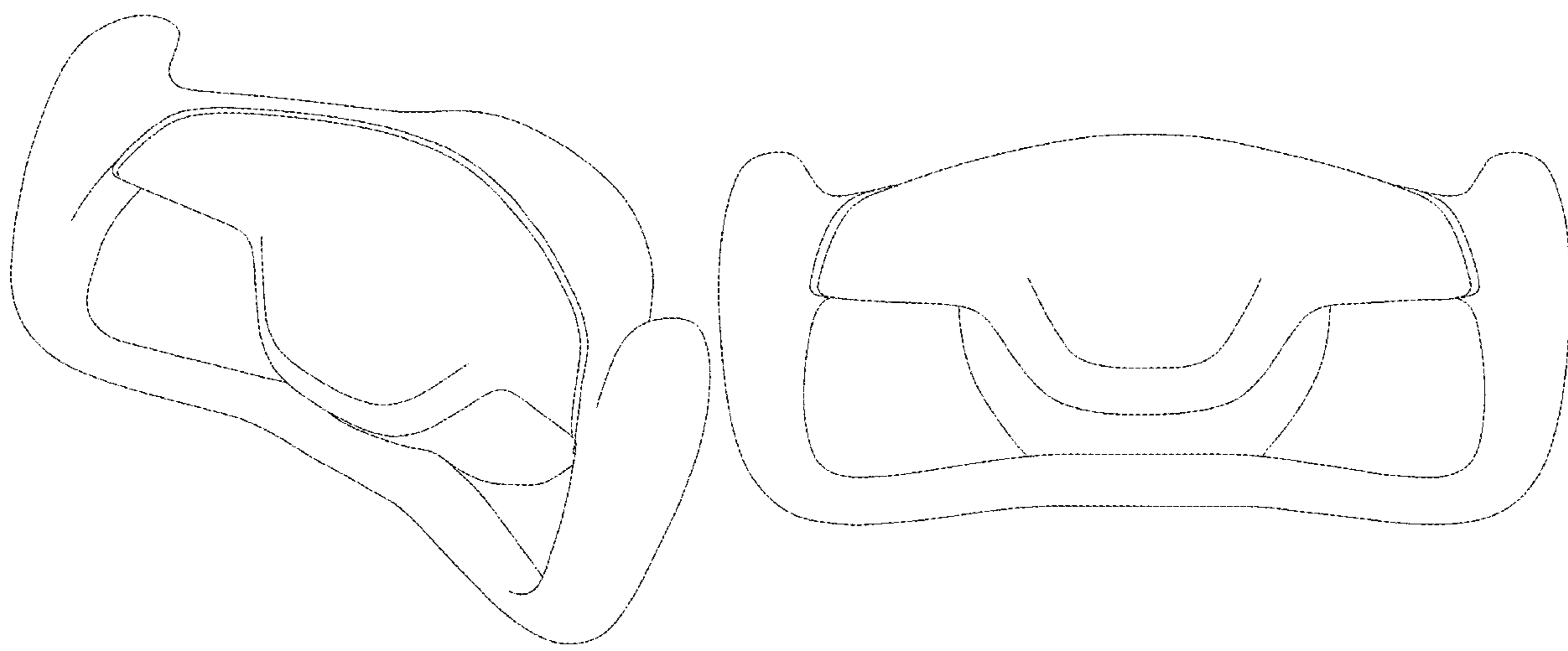
(57) **CLAIM**

The ornamental design for a vehicle steering yoke, as shown and described.

**DESCRIPTION**

FIG. 1 is a perspective view of a vehicle steering yoke.  
FIG. 2 is a front view thereof.  
FIG. 3 is a rear view thereof.  
FIG. 4 is a right-side view thereof.  
FIG. 5 is a top view thereof.  
FIG. 6 is a left-side view thereof.  
FIG. 7 is a bottom view thereof; and,  
FIG. 8 is a front view thereof within a vehicle.  
The broken lines illustrating the inside of a vehicle, in FIG. 8, depict environmental structure that form no part of the claimed design.

**1 Claim, 8 Drawing Sheets**



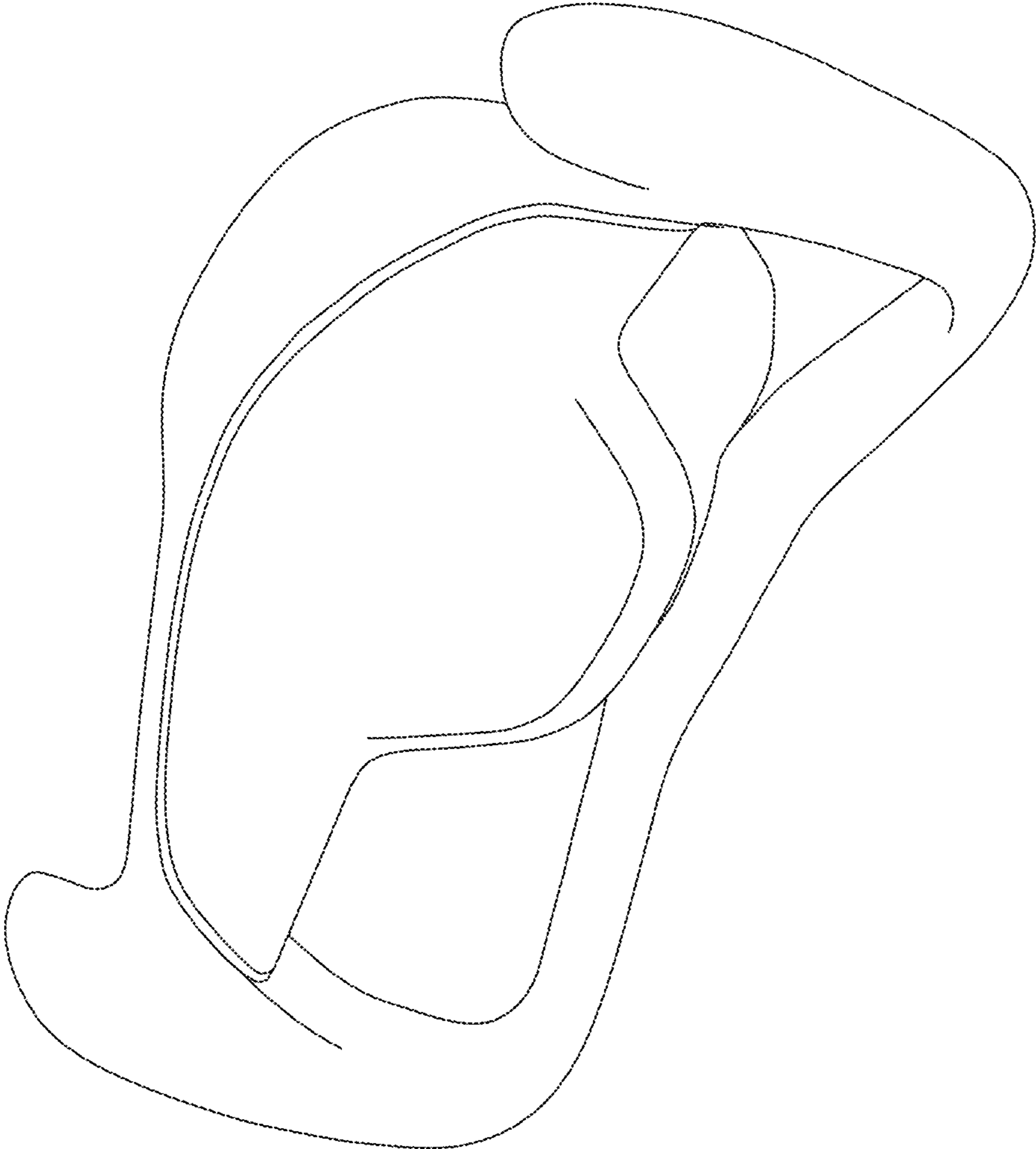
(56)

**References Cited**

U.S. PATENT DOCUMENTS

2005/0199436 A1\* 9/2005 Schroder ..... B62D 1/046  
180/402  
2010/0229674 A1\* 9/2010 Tanaka ..... B60R 21/203  
74/558  
2017/0355341 A1\* 12/2017 Keyser ..... B60R 21/203  
2018/0086298 A1\* 3/2018 Nakanishi ..... B62D 1/04

\* cited by examiner



*FIG. 1*

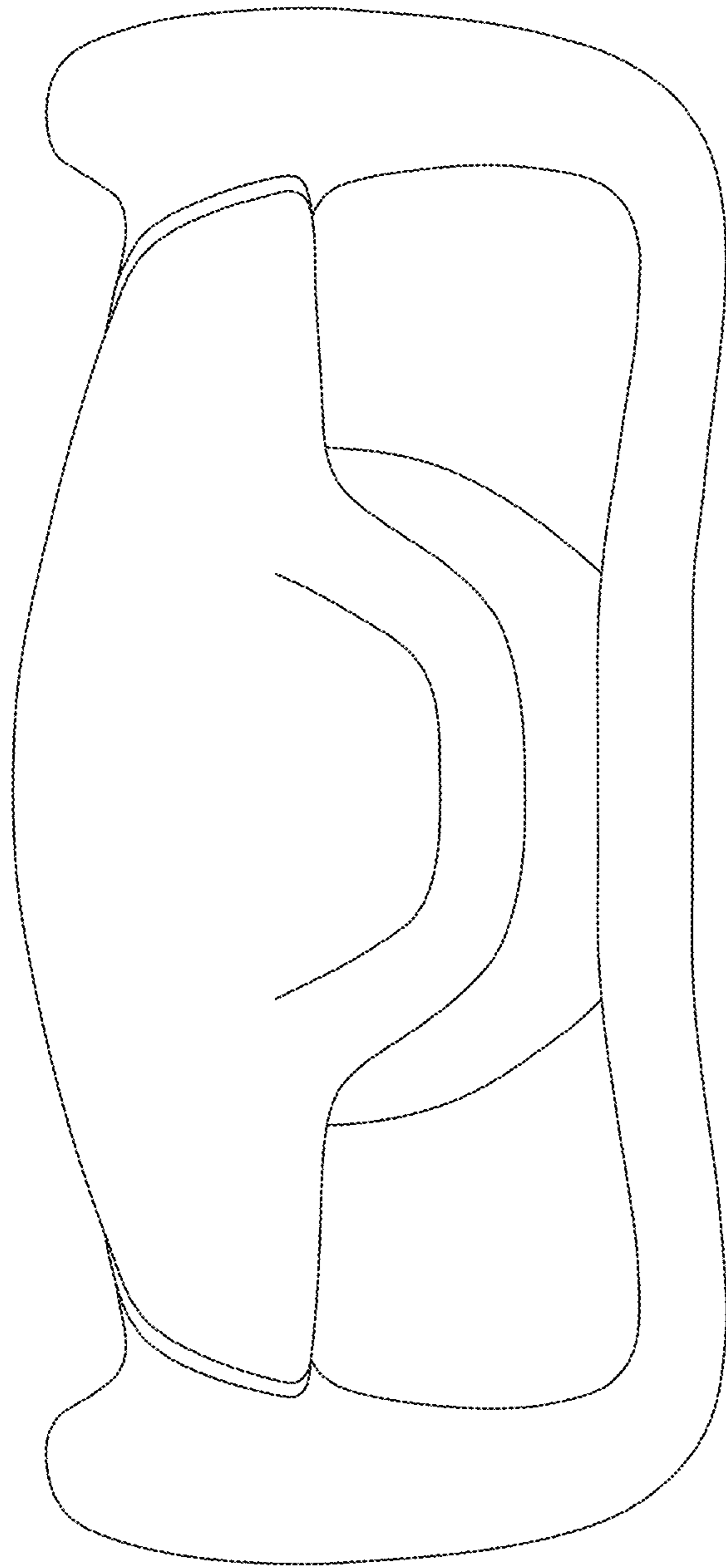


FIG. 2

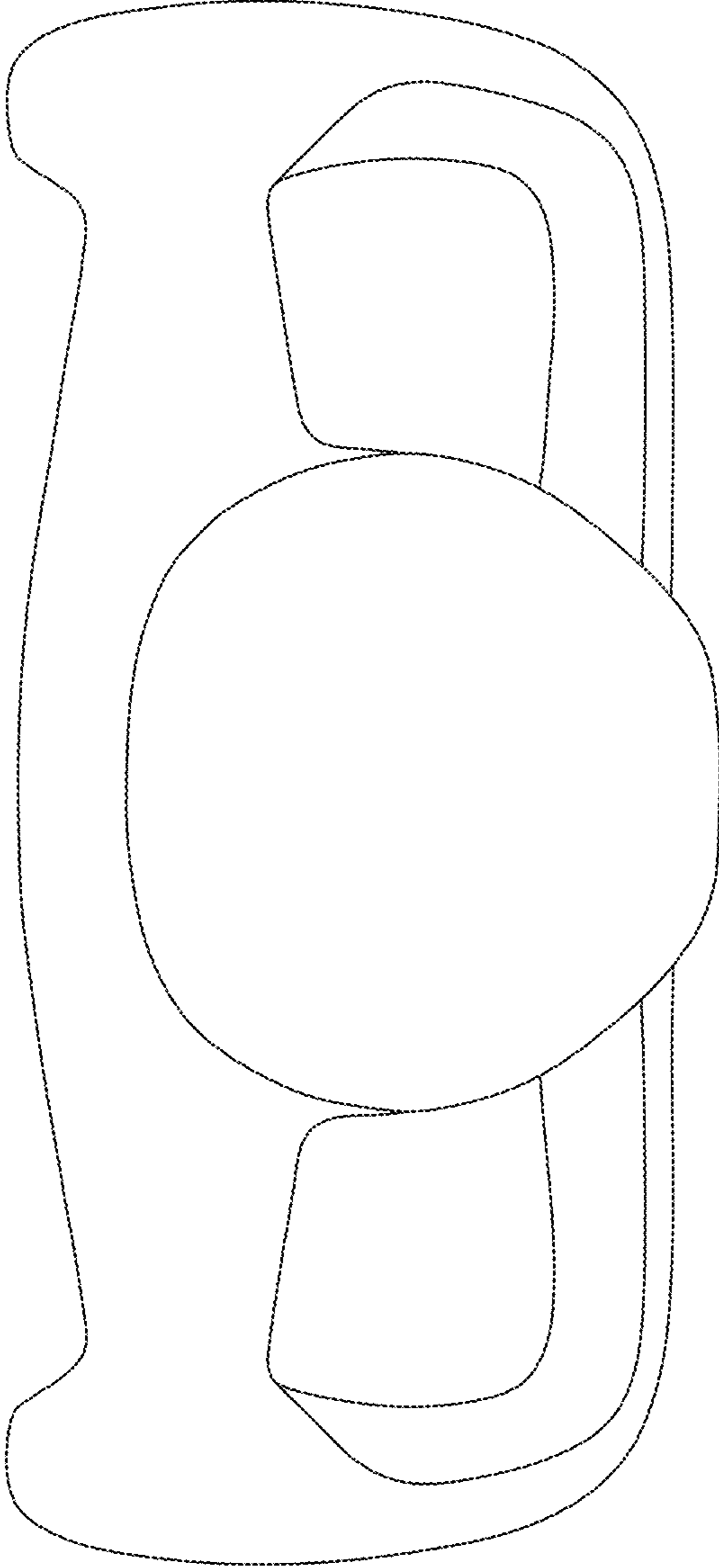


FIG. 3

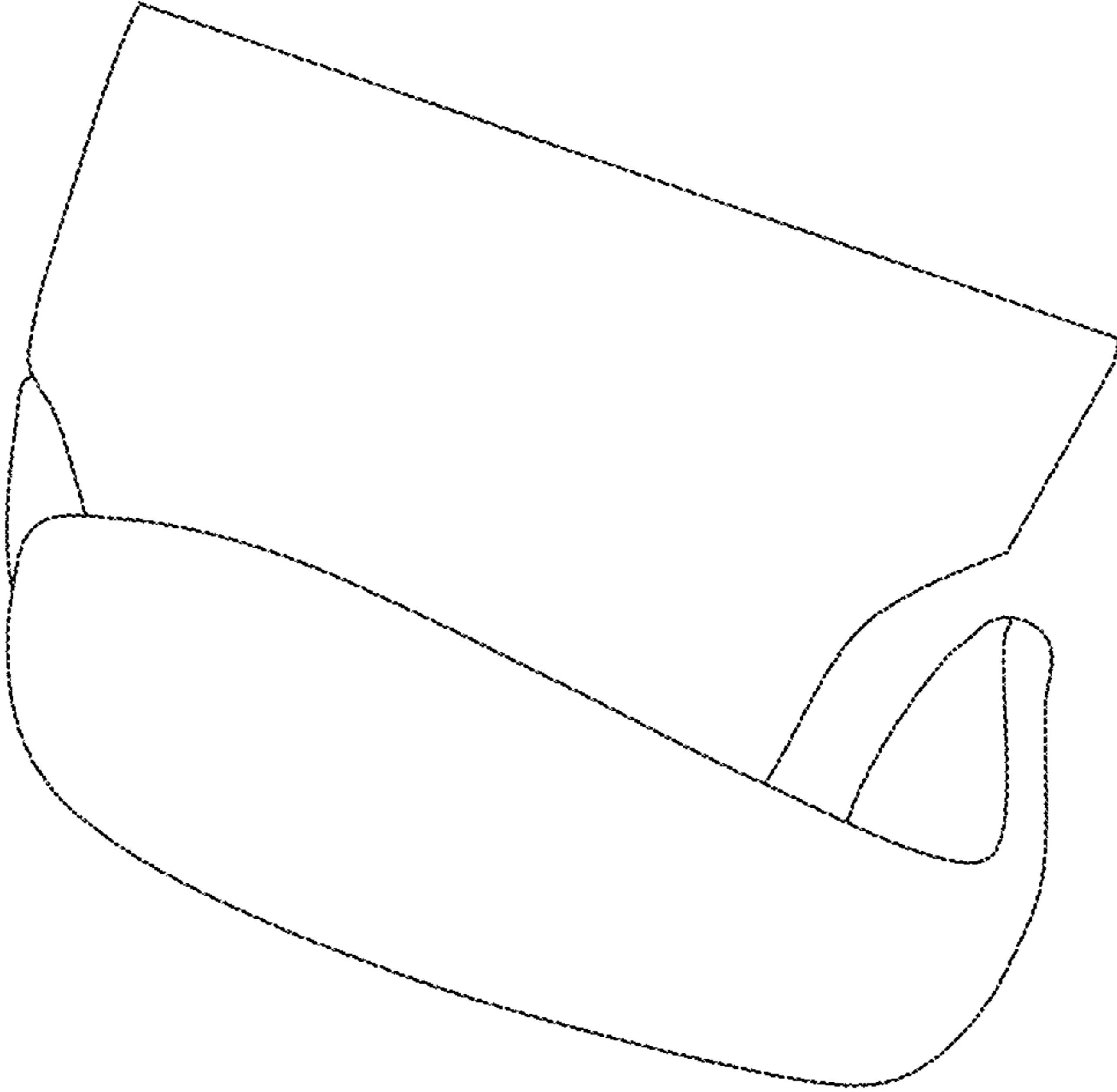
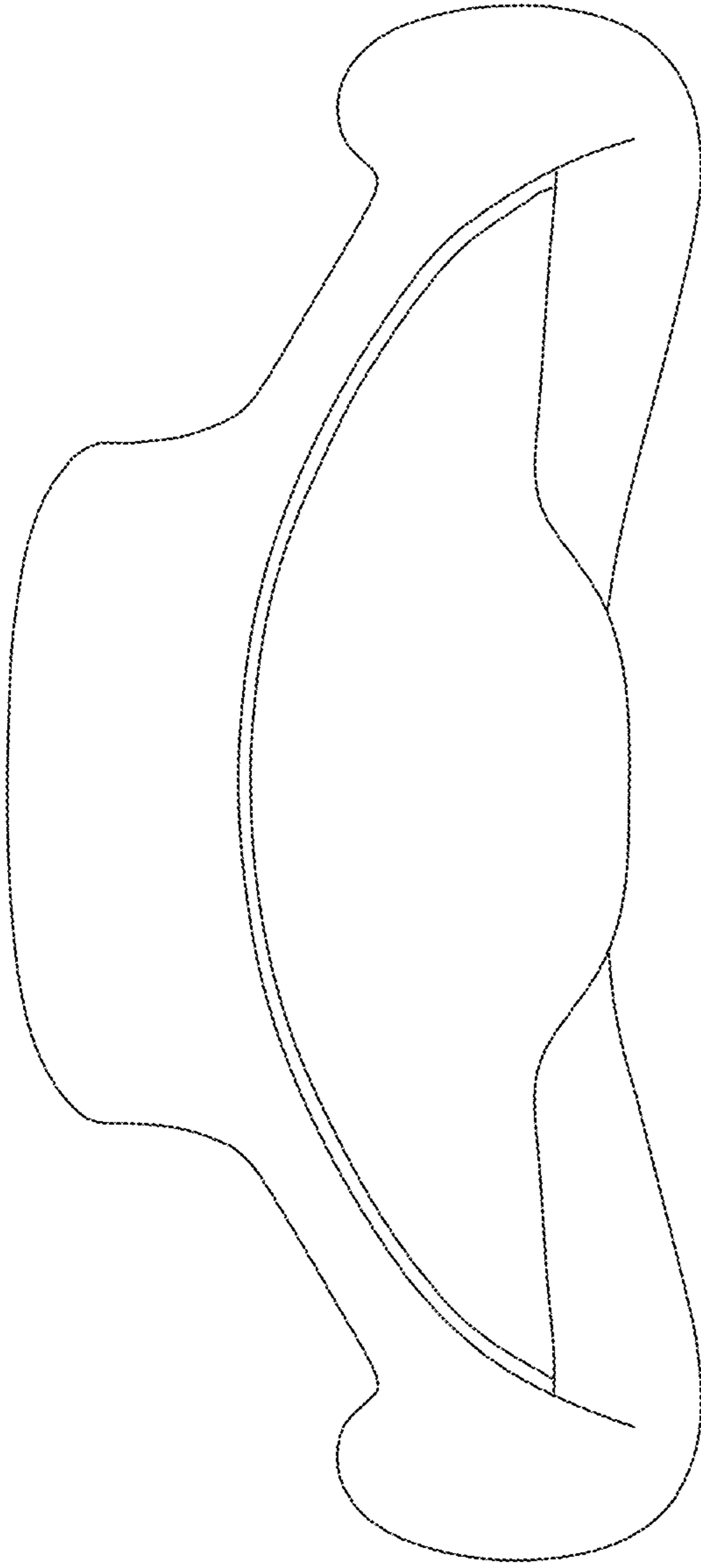
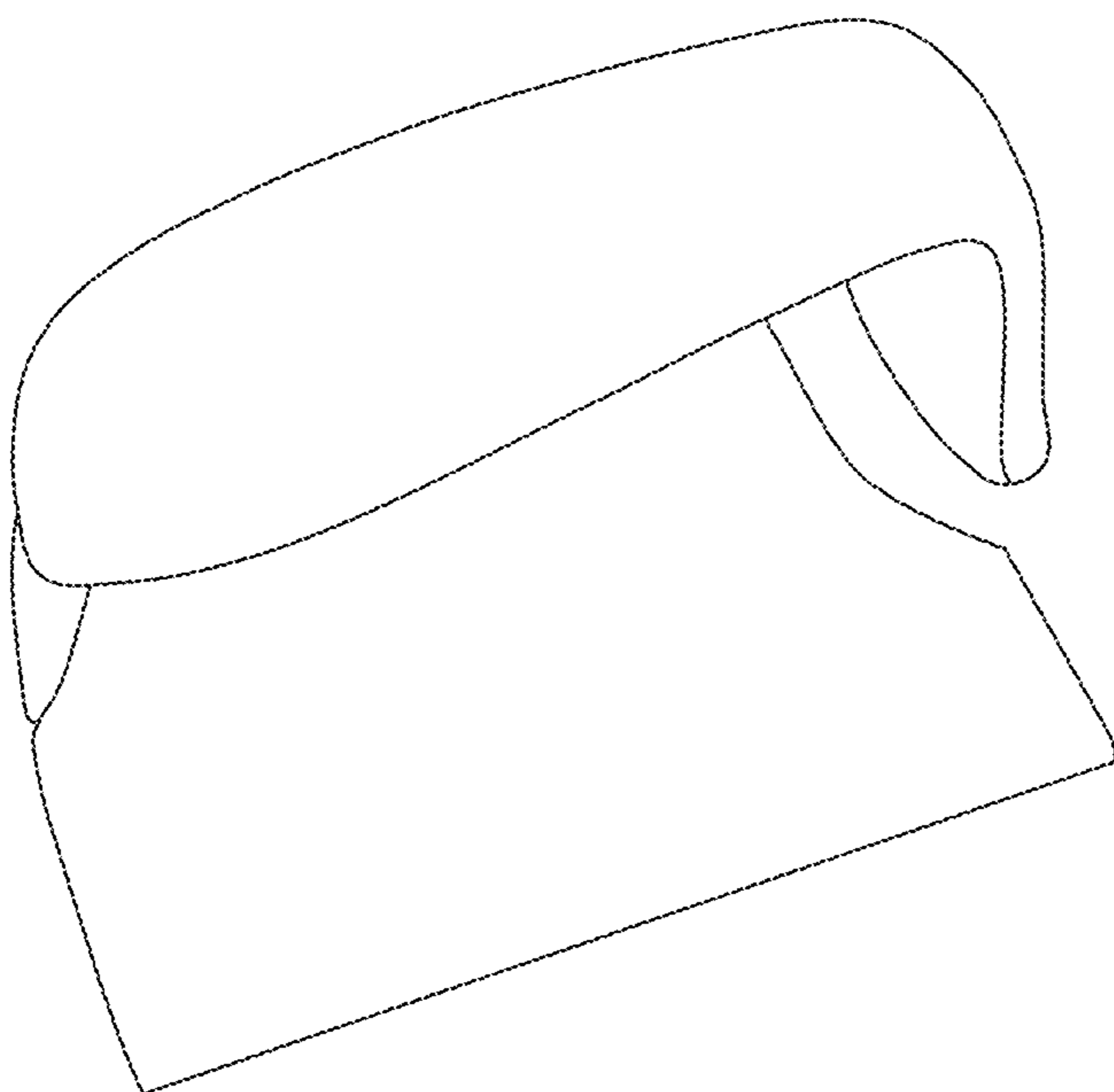


FIG. 4



*FIG. 5*



*FIG. 6*



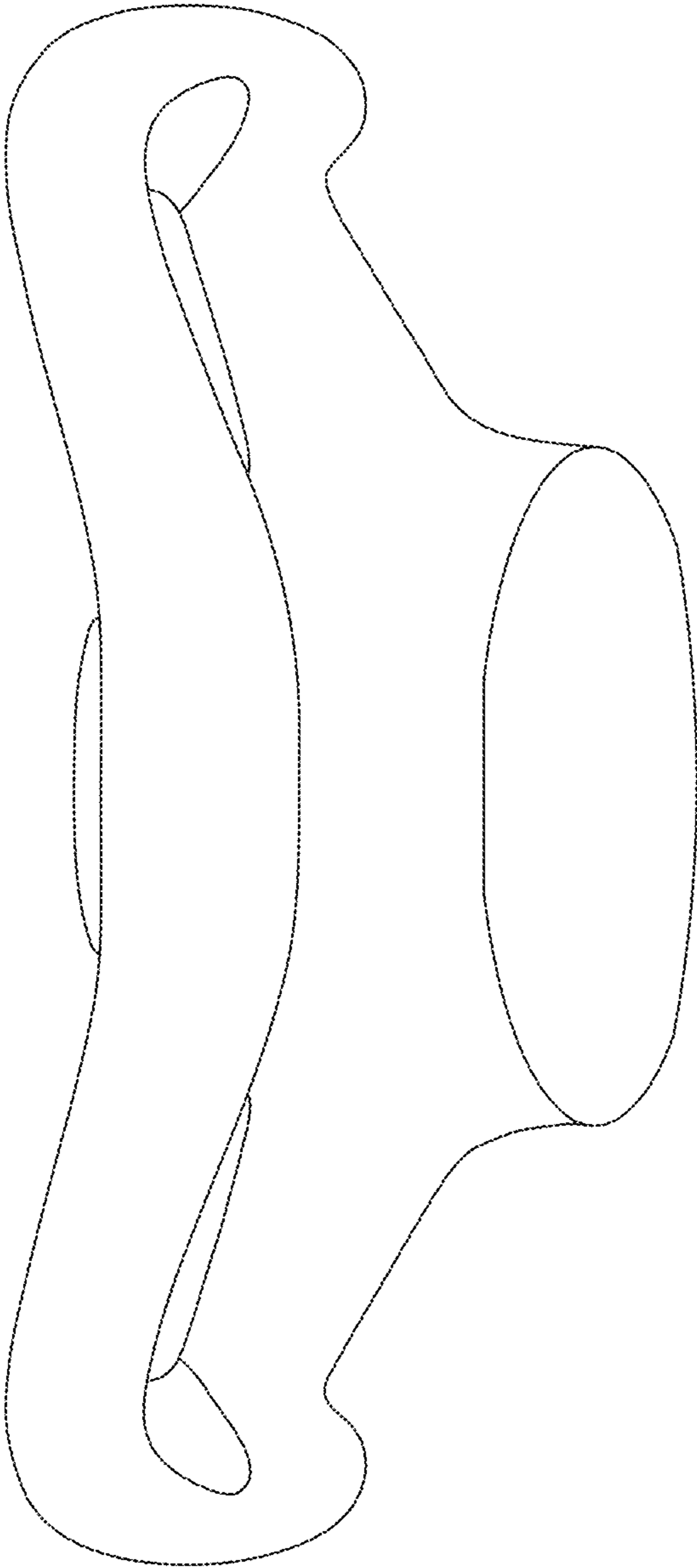


FIG. 7

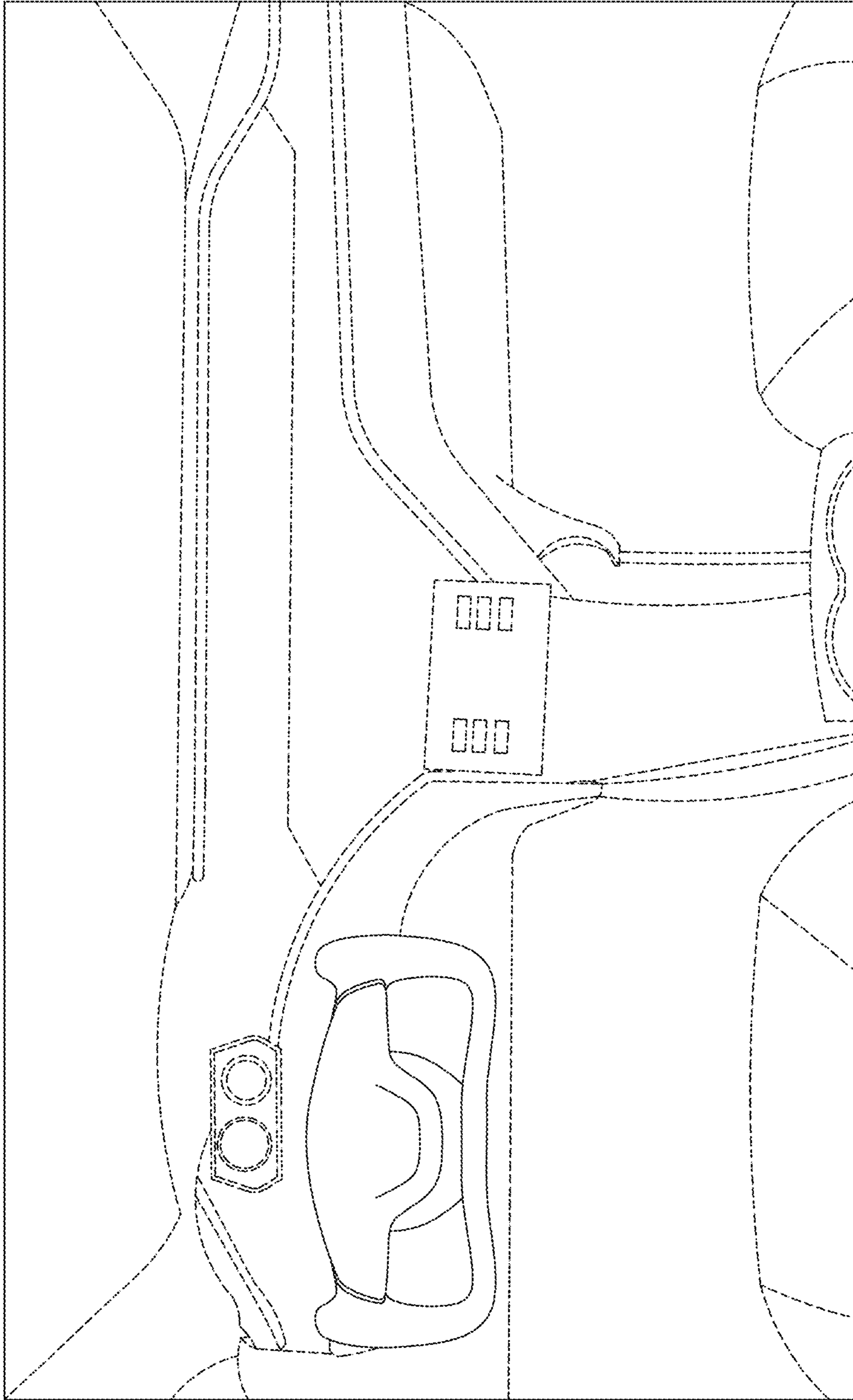


FIG. 8