



US00D897912S

(12) **United States Design Patent** (10) **Patent No.:** **US D897,912 S**
Winter et al. (45) **Date of Patent:** **** Oct. 6, 2020**

(54) **VEHICULAR COMPONENT LINKAGE MEMBER**

6,299,259 B1 * 10/2001 MacKarvich B60B 35/08
301/127
6,357,771 B1 * 3/2002 Clements B60G 11/181
280/124.13

(71) Applicant: **Hadley Products Corporation,**
Grandville, MI (US)

6,540,038 B2 4/2003 Taylor et al.
6,573,659 B2 6/2003 Toma et al.
6,644,632 B1 11/2003 Jaberg
7,036,233 B1 5/2006 Schindler
7,216,925 B1 5/2007 Abele et al.
D566,630 S * 4/2008 Ortiz D12/159

(72) Inventors: **Dick E. Winter**, Wayland, MI (US);
Robert C. Dattilo, Grand Rapids, MI
(US); **Mark W. Lempke**, Coopersville,
MI (US); **Jaret M. Shawl**, Copersville,
MI (US); **Kirk A. Lilly**, Belding, MI
(US)

(Continued)

(73) Assignee: **Hadley Products Corporation,**
Grandville, MI (US)

OTHER PUBLICATIONS

Hadley Linkage Kit Blueprint (2010).
Hadley Parts Bag (1997).
Hadley Parts Bag Link (1993).

(**) Term: **15 Years**

Primary Examiner — Michael A. Pratt

(21) Appl. No.: **29/698,517**

(74) *Attorney, Agent, or Firm* — Warner Norcross + Judd
LLP

(22) Filed: **Jul. 17, 2019**

(51) **LOC (12) Cl.** **12-16**

(52) **U.S. Cl.**
USPC **D12/159**

(57) **CLAIM**

The ornamental design for a vehicular component linkage member, as shown and described.

(58) **Field of Classification Search**
USPC D12/159; D8/396
CPC B60G 2206/911; B60G 2500/30; F16F
2230/0005; F16F 9/54
See application file for complete search history.

DESCRIPTION

FIG. 1 is a perspective view of the vehicular component linkage member of a current embodiment of the new design; FIG. 2 is a right side view thereof, the left side view being a mirror image thereof; FIG. 3 is a front view thereof; FIG. 4 is a rear view thereof; and, FIG. 5 is a top view thereof, the bottom view being a minor image thereof.

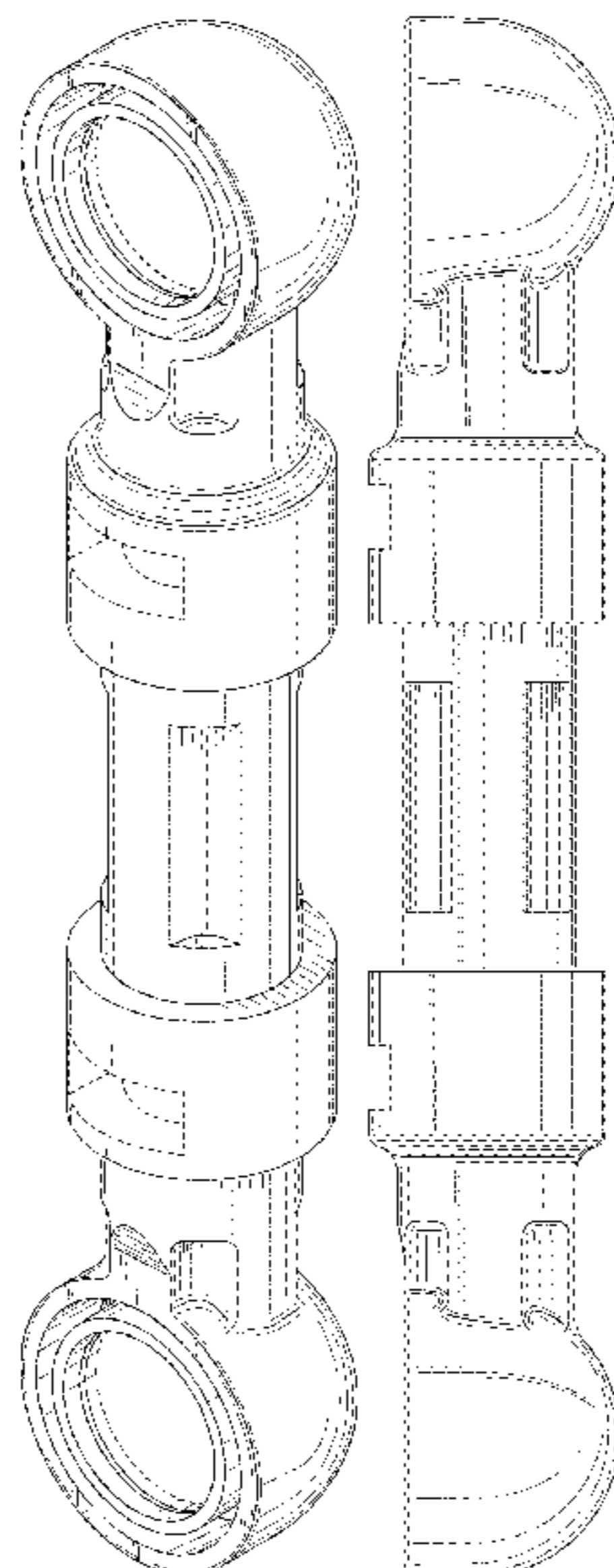
Features shown in broken lines do not form any part of the claimed design. The broken lines immediately adjacent the solid-line portions of the design form the boundary of the design, with the broken lines forming no part of the claimed design.

(56) **References Cited**

U.S. PATENT DOCUMENTS

3,409,318 A 11/1968 Gottschald
4,887,486 A * 12/1989 Wood, Jr. B60G 7/005
74/588
5,613,792 A * 3/1997 Terada F16C 7/00
403/131
6,073,714 A 6/2000 McHorse et al.
6,109,381 A 8/2000 Stuyvenberg et al.
6,168,229 B1 1/2001 Kooi et al.
6,206,121 B1 3/2001 Michel

1 Claim, 2 Drawing Sheets



(56)

References Cited

U.S. PATENT DOCUMENTS

7,753,400 B2 * 7/2010 Dunlap B60G 11/04
280/682
7,963,536 B2 * 6/2011 Budde B60G 7/005
280/93.51
7,967,087 B2 * 6/2011 Arulraja B62D 55/108
180/9.5
D727,219 S 4/2015 Winter et al.
D784,801 S * 4/2017 Nishide D8/400
D807,164 S * 1/2018 Nishide D8/400
2007/0256659 A1 11/2007 Anderson et al.
2012/0212041 A1 8/2012 Hachet

* cited by examiner

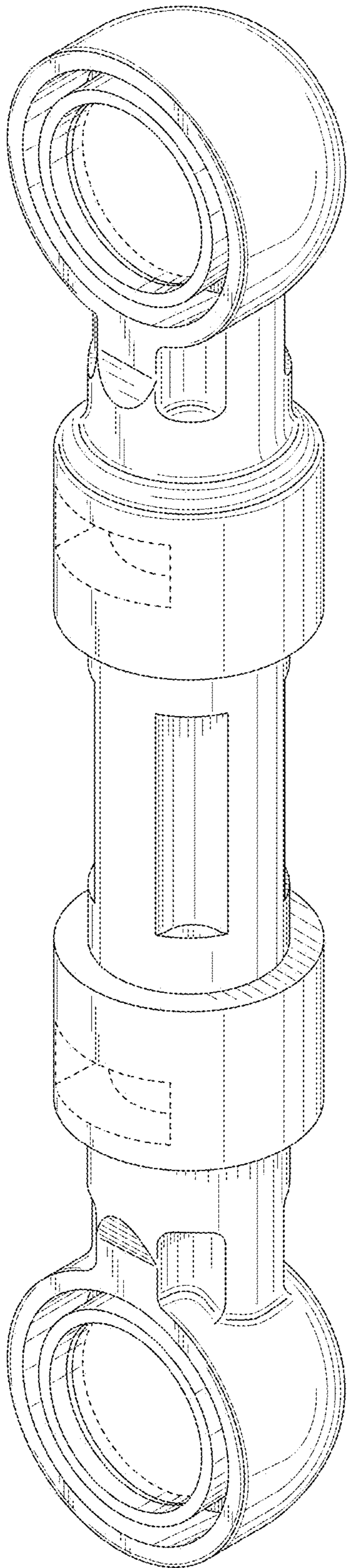


Fig. 1

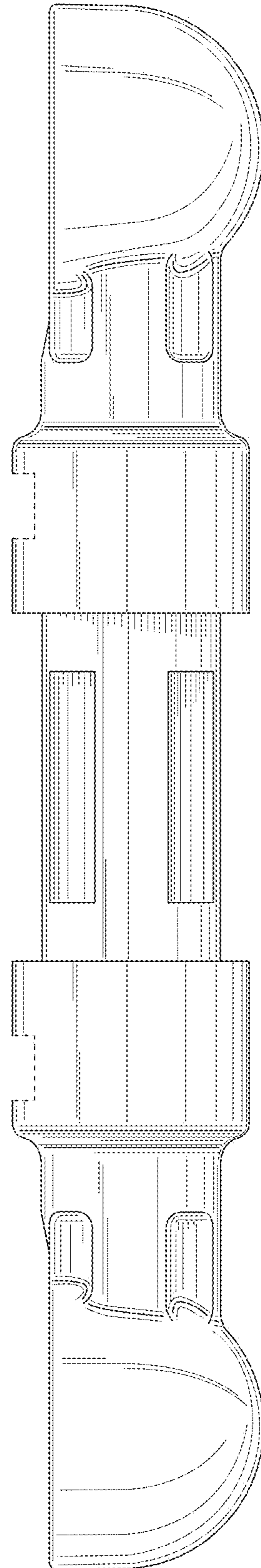


Fig. 2

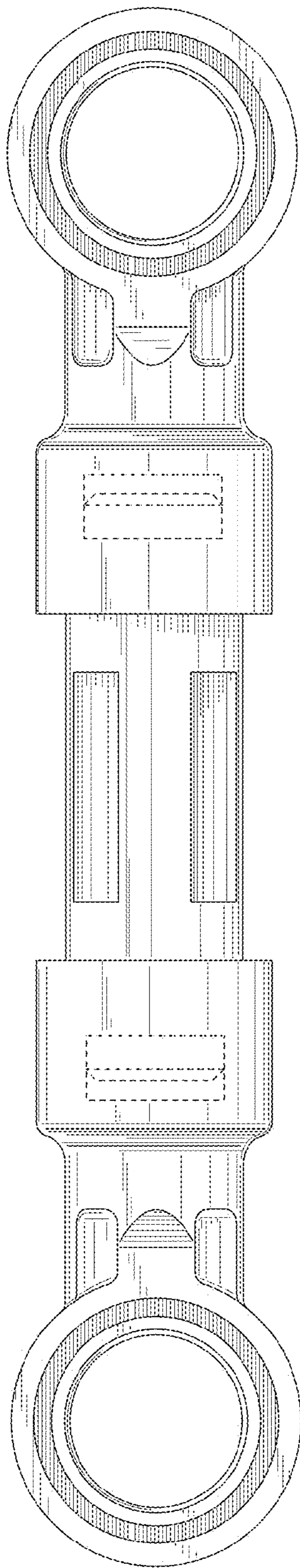


Fig. 3

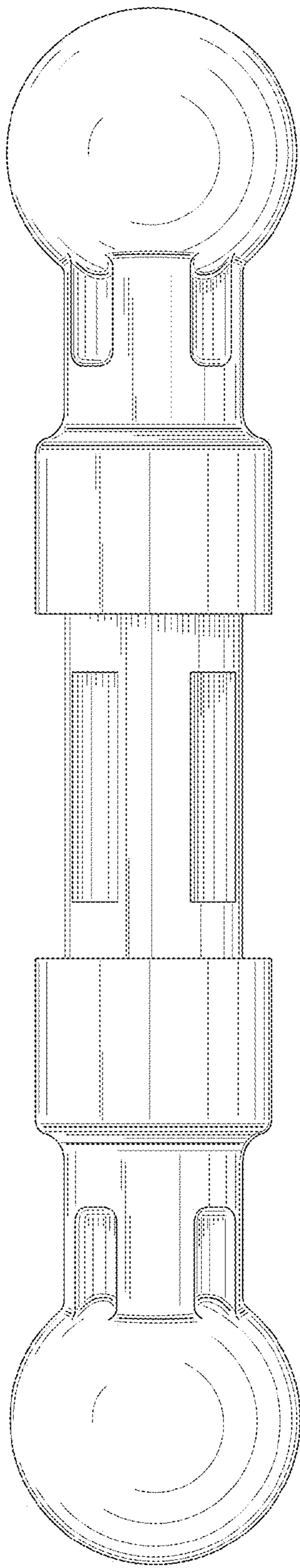


Fig. 4

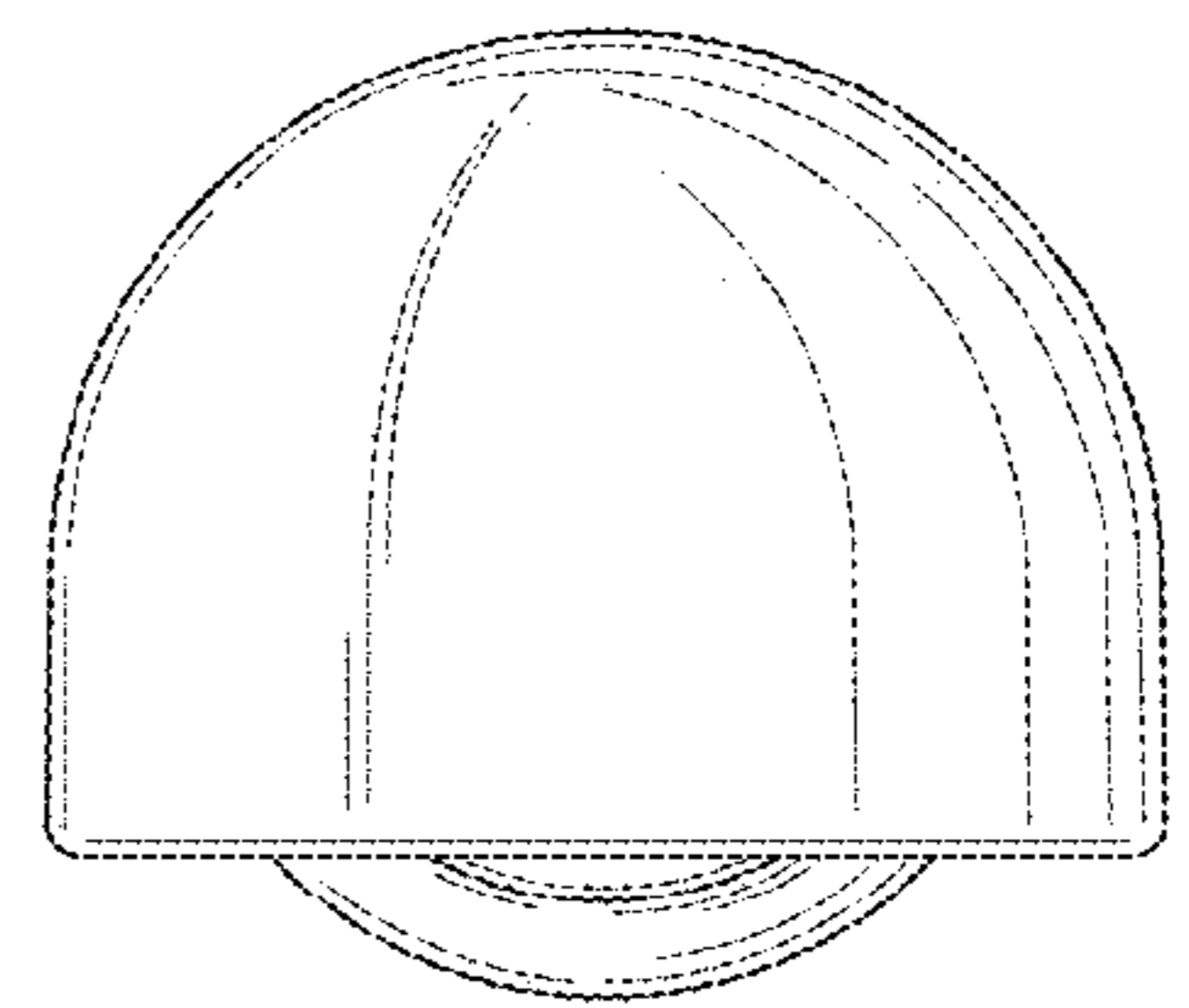


Fig. 5