

US00D897911S

(12) **United States Design Patent** (10) **Patent No.:** **US D897,911 S**  
**Winter et al.** (45) **Date of Patent:** **\*\* Oct. 6, 2020**

(54) **VEHICULAR COMPONENT LINKAGE MEMBER**

(71) Applicant: **Hadley Products Corporation,**  
Grandville, MI (US)

(72) Inventors: **Dick E. Winter,** Wayland, MI (US);  
**Robert C. Dattilo,** Grand Rapids, MI (US); **Mark W. Lempke,** Coopersville, MI (US); **Jaret M. Shawl,** Coopersville, MI (US); **Kirk A. Lilly,** Belding, MI (US)

(73) Assignee: **Hadley Products Corporation,**  
Grandville, MI (US)

(\*\*) Term: **15 Years**

(21) Appl. No.: **29/698,509**

(22) Filed: **Jul. 17, 2019**

(51) **LOC (12) Cl.** ..... **12-16**

(52) **U.S. Cl.**  
USPC ..... **D12/159**

(58) **Field of Classification Search**  
USPC ..... D12/159; D8/396  
CPC ..... B60G 2206/911; B60G 2500/30; F16F 2230/0005; F16F 9/54  
See application file for complete search history.

(56) **References Cited**

U.S. PATENT DOCUMENTS

3,409,318	A	11/1968	Gottschald
4,887,486	A	12/1989	Wood, Jr.
6,073,714	A	6/2000	McHorse et al.
6,109,381	A	8/2000	Stuyvenberg et al.
6,168,229	B1	1/2001	Kooi et al.
6,206,121	B1	3/2001	Michel
6,540,038	B2	4/2003	Taylor et al.
6,573,659	B2	6/2003	Toma et al.
6,644,632	B1	11/2003	Jaberg

7,036,233	B1	5/2006	Schindler
7,216,925	B1	5/2007	Abele et al.
D631,336	S *	1/2011	Toumei ..... D8/397
7,963,536	B2	6/2011	Budde
D696,574	S *	12/2013	Caterinacci ..... D8/382
D727,219	S	4/2015	Winter et al.
D762,111	S *	7/2016	Pittman ..... D8/397
D801,797	S *	11/2017	Powers ..... D8/394
D836,976	S *	1/2019	Reese ..... D7/396.2
2007/0256659	A1	11/2007	Anderson et al.

(Continued)

OTHER PUBLICATIONS

Hadley Linkage Kit Blueprint (2010).  
Hadley Parts Bag (1997).  
Hadley Parts Bag Link (1993).

*Primary Examiner* — Michael A. Pratt

(74) *Attorney, Agent, or Firm* — Warner Norcross + Judd LLP

(57) **CLAIM**

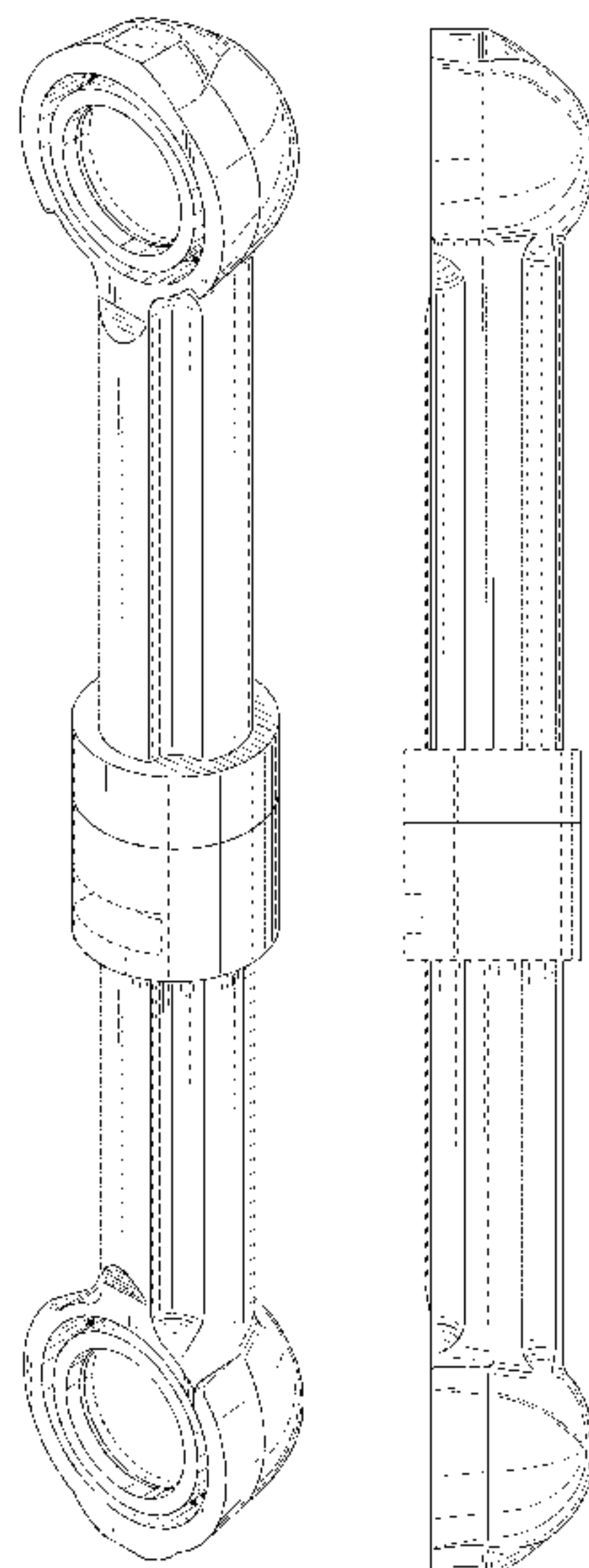
The ornamental design for a vehicular component linkage member, as shown and described.

**DESCRIPTION**

FIG. 1 is a perspective view of the vehicular component linkage member of a current embodiment of the new design; FIG. 2 is a right side view thereof, the left side view being a mirror image thereof; FIG. 3 is a front view thereof; FIG. 4 is a rear view thereof; and, FIG. 5 is a top view thereof, the bottom view being a minor image thereof.

Features shown in broken lines do not form any part of the claimed design. The broken lines immediately adjacent the solid-line portions of the design form the boundary of the design, with the broken lines forming no part of the claimed design.

**1 Claim, 2 Drawing Sheets**



(56)

**References Cited**

U.S. PATENT DOCUMENTS

2009/0173033 A1\* 7/2009 Baxter, Jr. .... A63J 1/00  
52/646  
2012/0212041 A1 8/2012 Rachet  
2013/0185895 A1\* 7/2013 Daniel ..... F41C 23/10  
16/2.1  
2016/0159184 A1\* 6/2016 Evans ..... F16F 9/19  
188/280  
2017/0197556 A1\* 7/2017 Bonenberger ..... B60R 9/08  
2019/0093732 A1\* 3/2019 Verbowski ..... B60G 13/003

\* cited by examiner

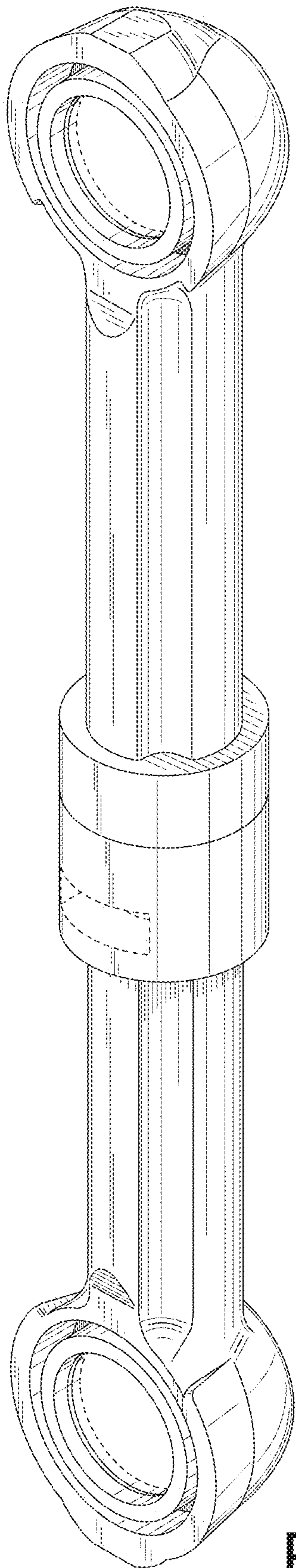


Fig. 1

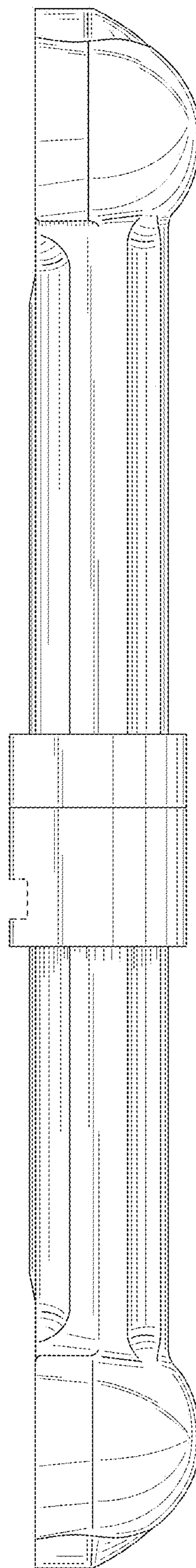


Fig. 2



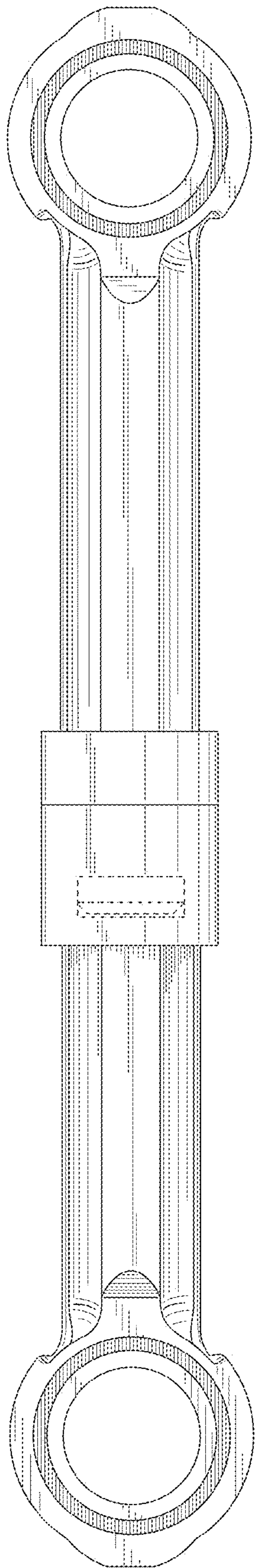


Fig. 3

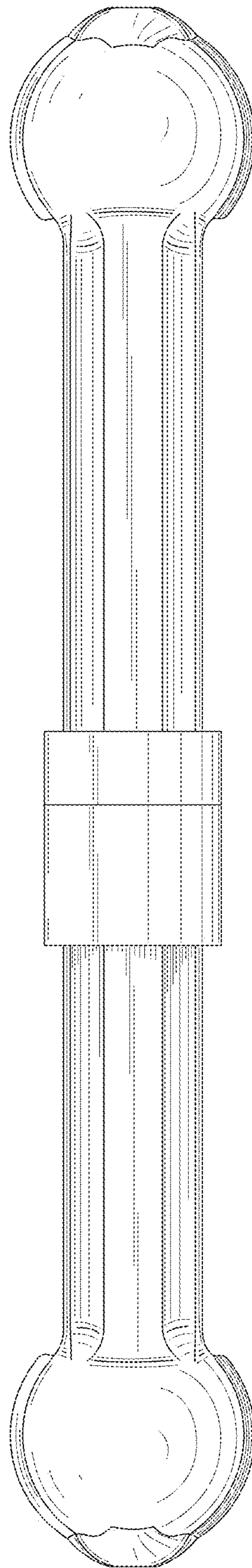


Fig. 4

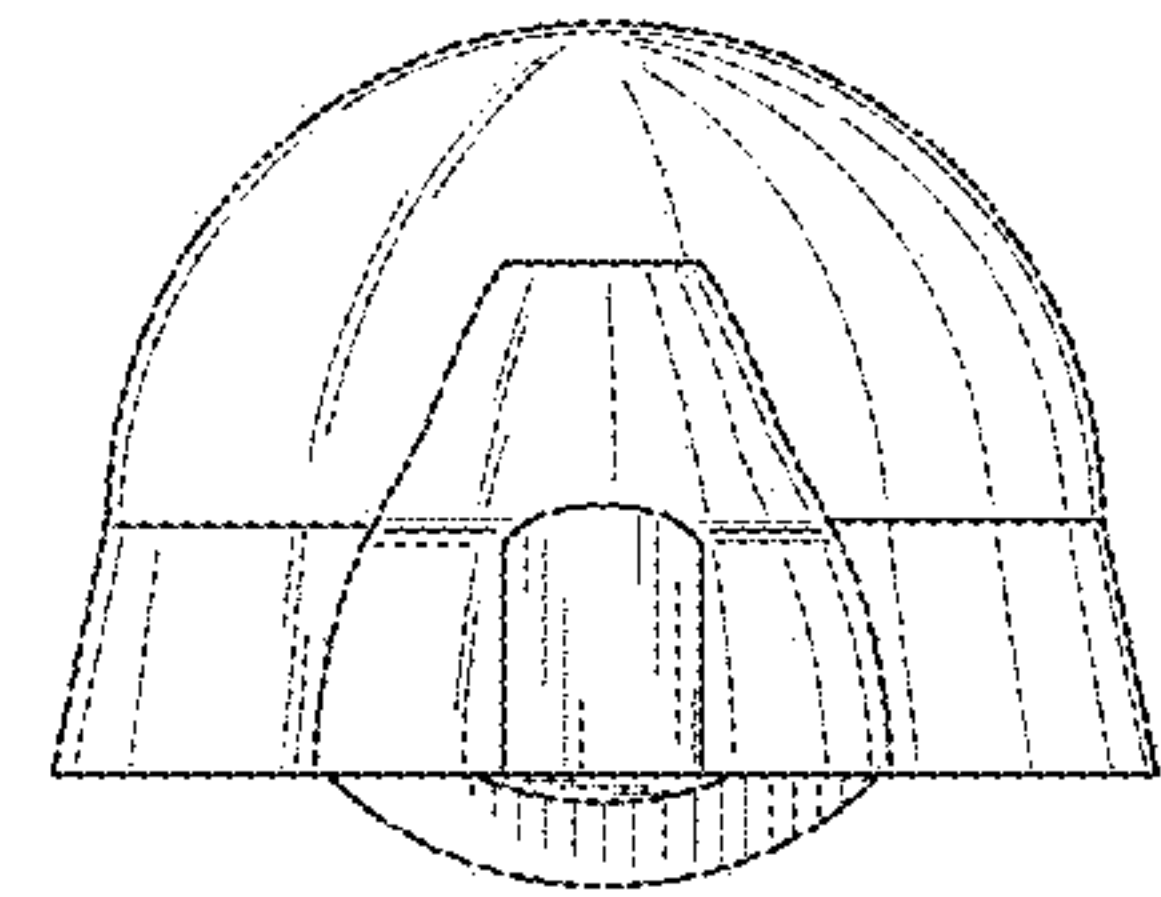


Fig. 5