



US00D897909S

(12) **United States Design Patent**
Xiang

(10) **Patent No.:** **US D897,909 S**

(45) **Date of Patent:** **** Oct. 6, 2020**

(54) **PET STROLLER**

(71) Applicant: **Yuanzhen Xiang**, Alhambra, CA (US)

(72) Inventor: **Yuanzhen Xiang**, Alhambra, CA (US)

(**) Term: **15 Years**

(21) Appl. No.: **29/699,190**

(22) Filed: **Jul. 23, 2019**

(51) **LOC (12) Cl.** **12-12**

(52) **U.S. Cl.**
USPC **D12/129**

(58) **Field of Classification Search**
USPC D12/128-133
CPC B62B 7/00-04; B62B 9/00-28
See application file for complete search history.

(56) **References Cited**

U.S. PATENT DOCUMENTS

D723,746 S *	3/2015	Jakubowski	D30/109
D757,370 S *	5/2016	Jakubowski	D30/109
D801,592 S *	10/2017	Jakubowski	D30/109
D827,939 S *	9/2018	Jakubowski	D30/109
D882,184 S *	4/2020	Jakubowski	D30/109
2014/0230747 A1 *	8/2014	Jakubowski	B62B 9/26 119/496
2018/0022371 A1 *	1/2018	Jakubowski	B62B 5/0013 280/641
2018/0132446 A1 *	5/2018	Jakubowski	B62B 7/105
2019/0002007 A1 *	1/2019	Xiang	B62B 9/12
2019/0313597 A1 *	10/2019	Chen	A01K 1/0254

* cited by examiner

Primary Examiner — Charles D Hanson

(74) *Attorney, Agent, or Firm* — Tsz Lung Yeung

(57) **CLAIM**

The ornamental design for a pet stroller, as shown and described.

DESCRIPTION

FIG. 1 is a perspective view of a pet stroller showing my new design;
 FIG. 2 is a front view thereof;
 FIG. 3 is a rear view thereof;
 FIG. 4 is a right side view thereof;
 FIG. 5 is a left side view thereof;
 FIG. 6 is a top view thereof;
 FIG. 7 is a bottom view thereof;
 FIG. 8 is a rear perspective view thereof;
 FIG. 9 is a rear perspective view thereof, showing a first reduced compartment size;
 FIG. 10 is a rear perspective view thereof, showing a second reduced compartment size;
 FIG. 11 is a front perspective view thereof, showing in open canopy;
 FIG. 12 is a front perspective view thereof, showing a bowl support in open position; and,
 FIG. 13 is a front perspective view thereof, showing a bowl supported by the bowl support when in use.
 The broken lines in FIG. 13 illustrate environment subject matter that forms no part of the claimed design.

1 Claim, 13 Drawing Sheets

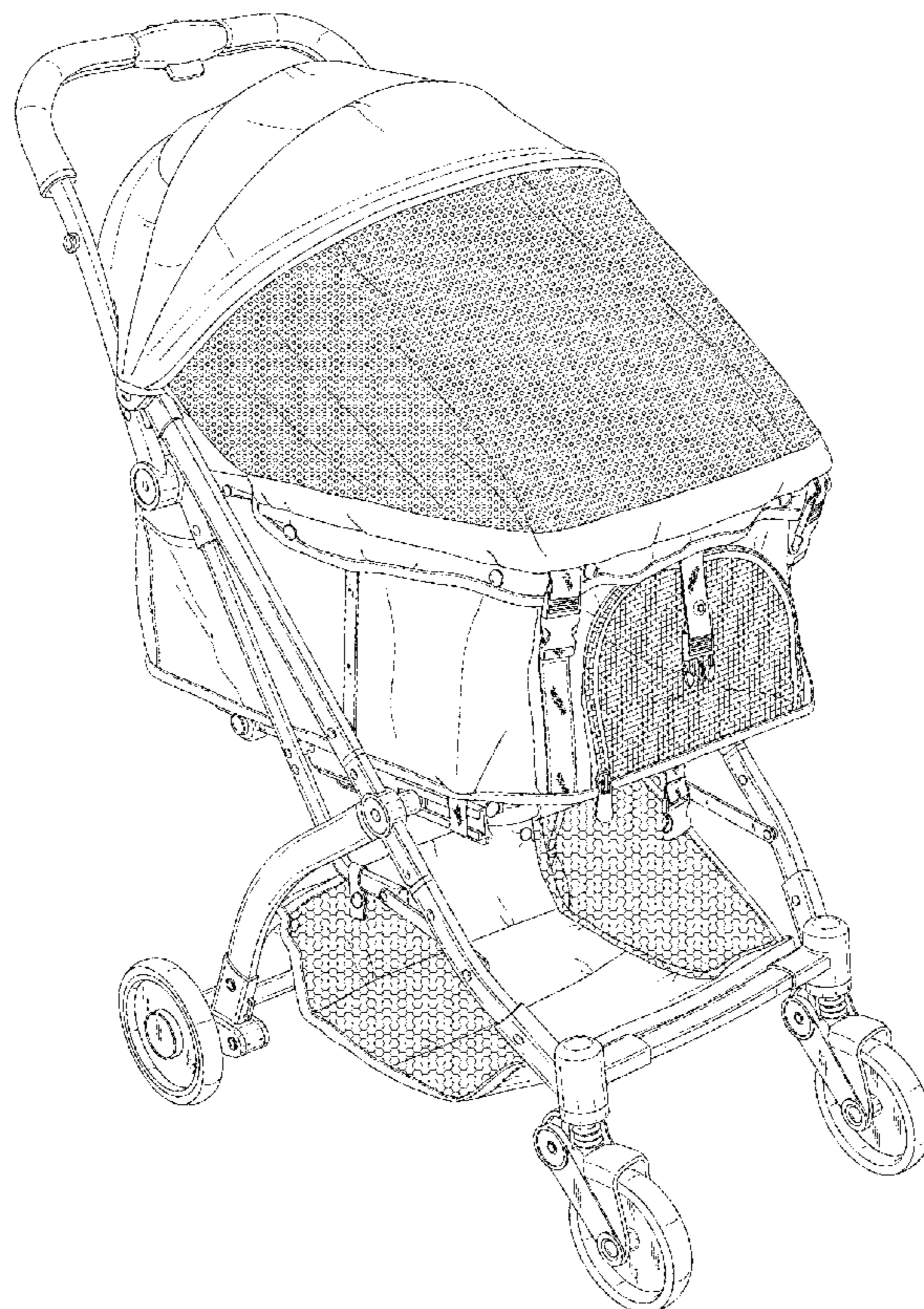




FIG. 1

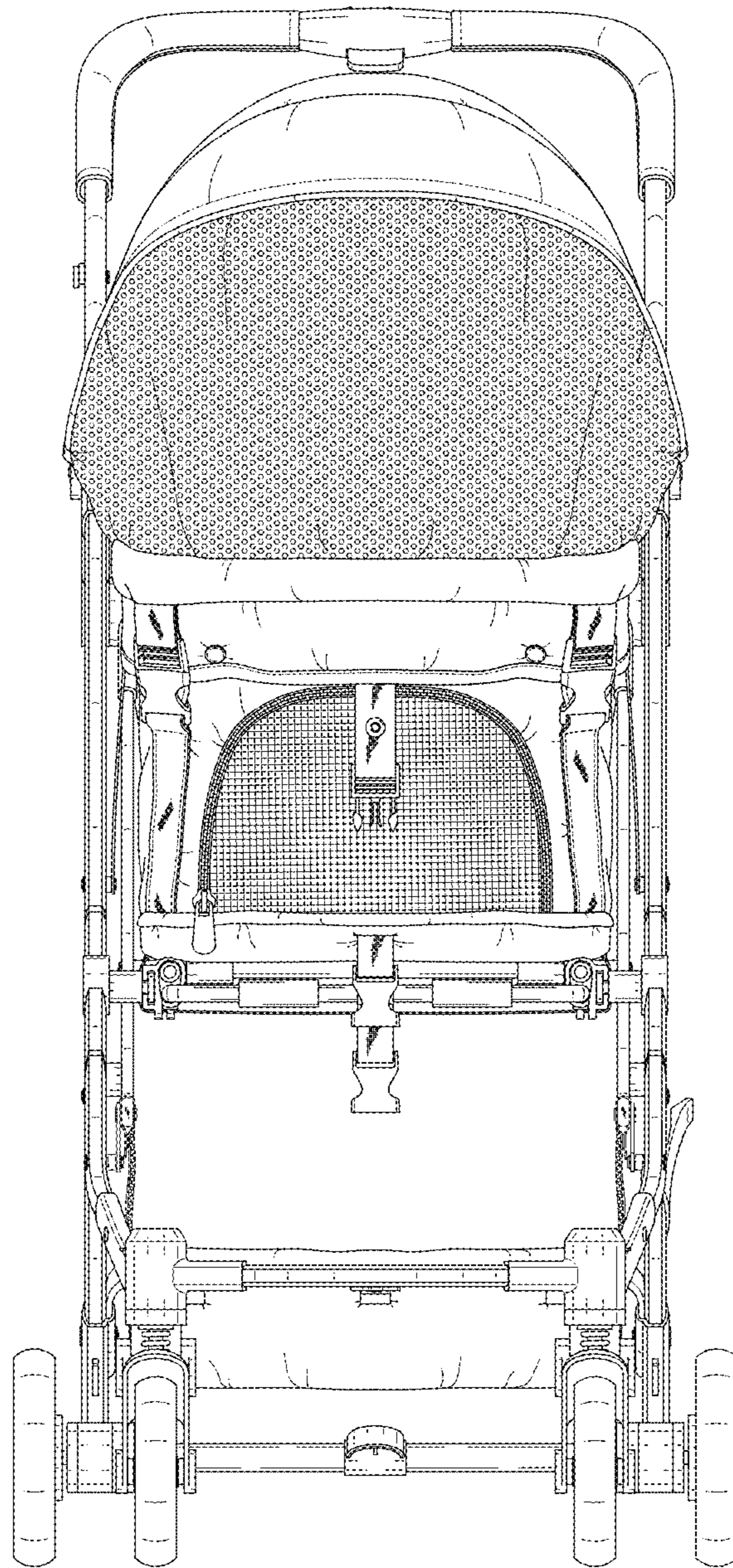


FIG. 2

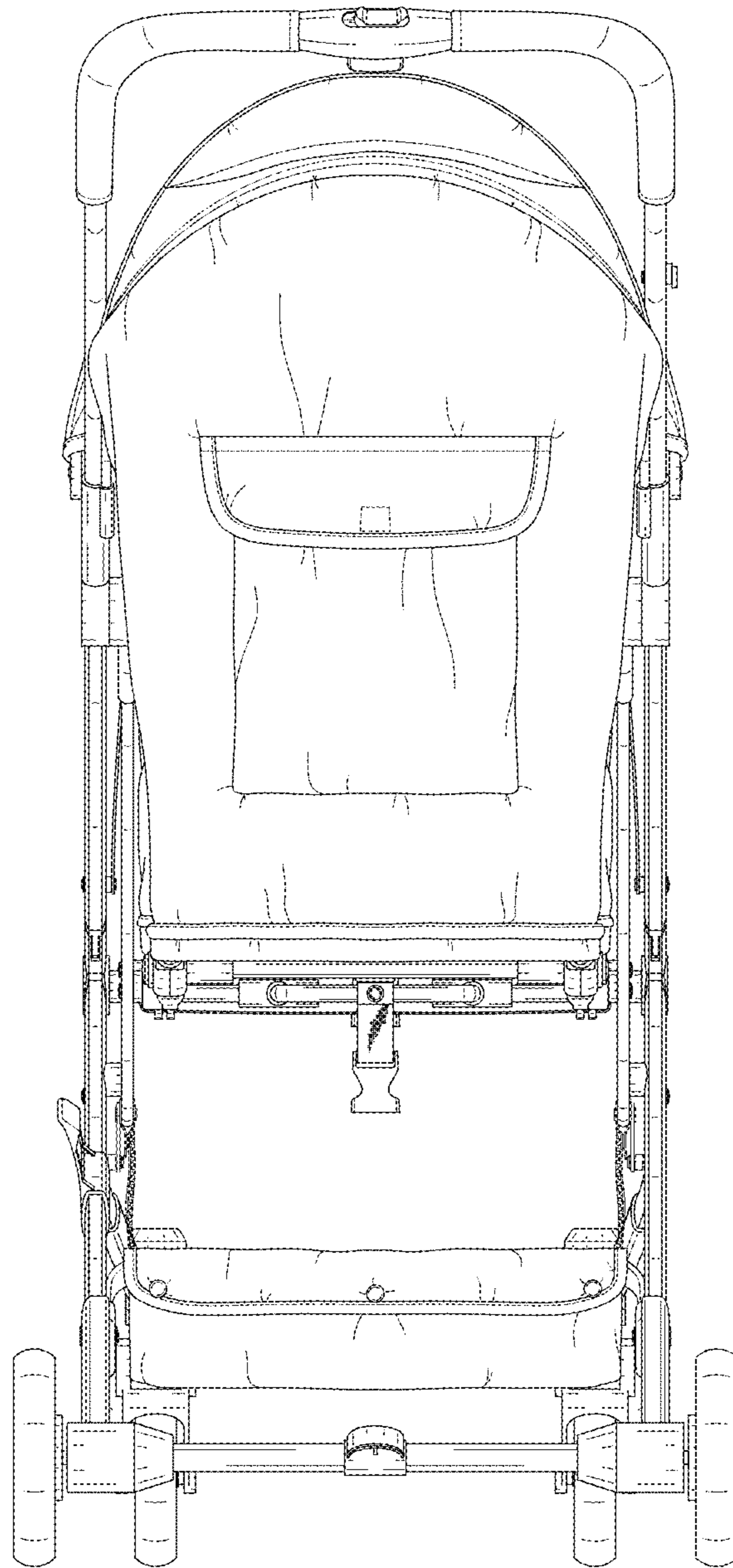


FIG. 3

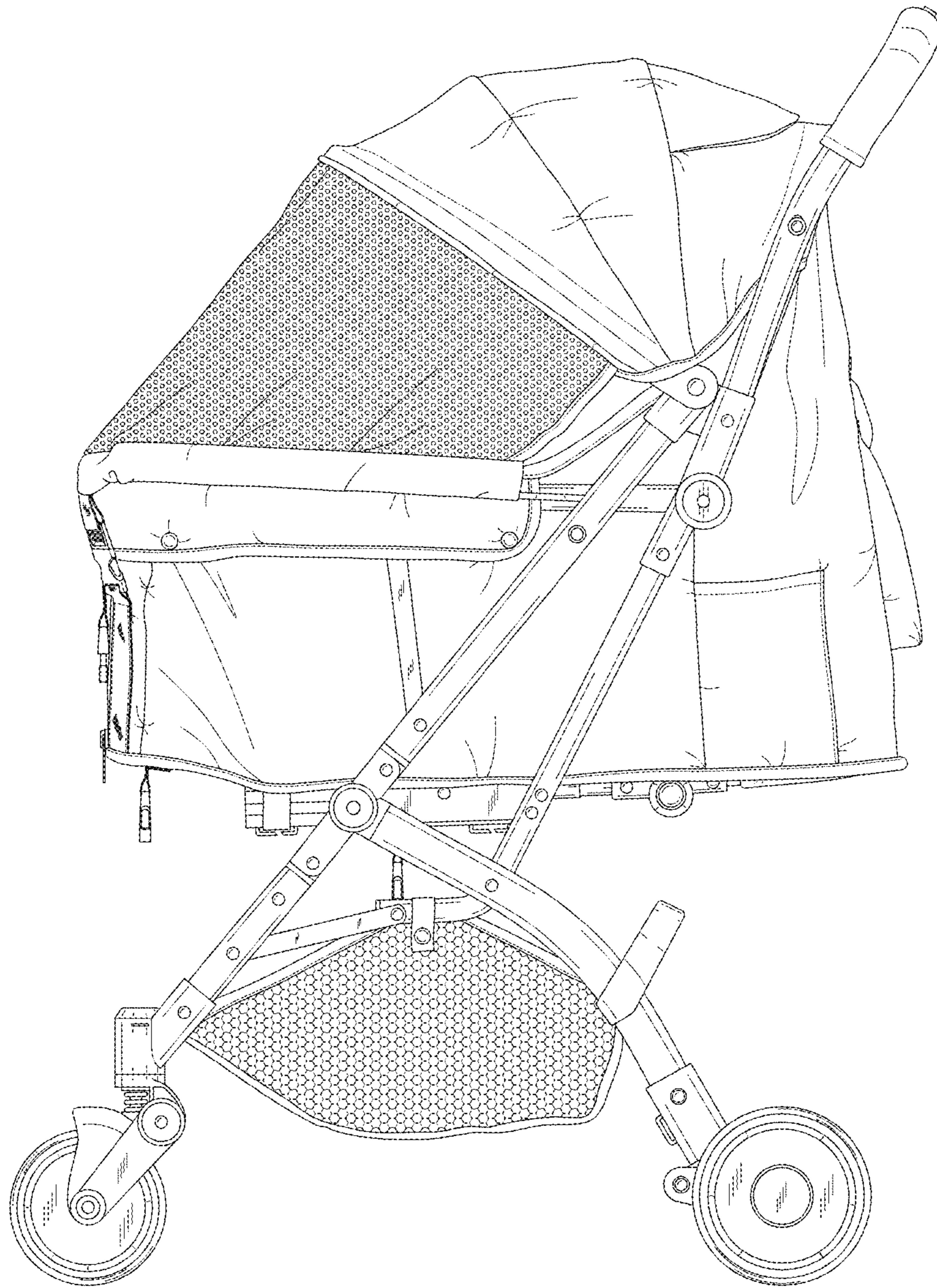


FIG. 4

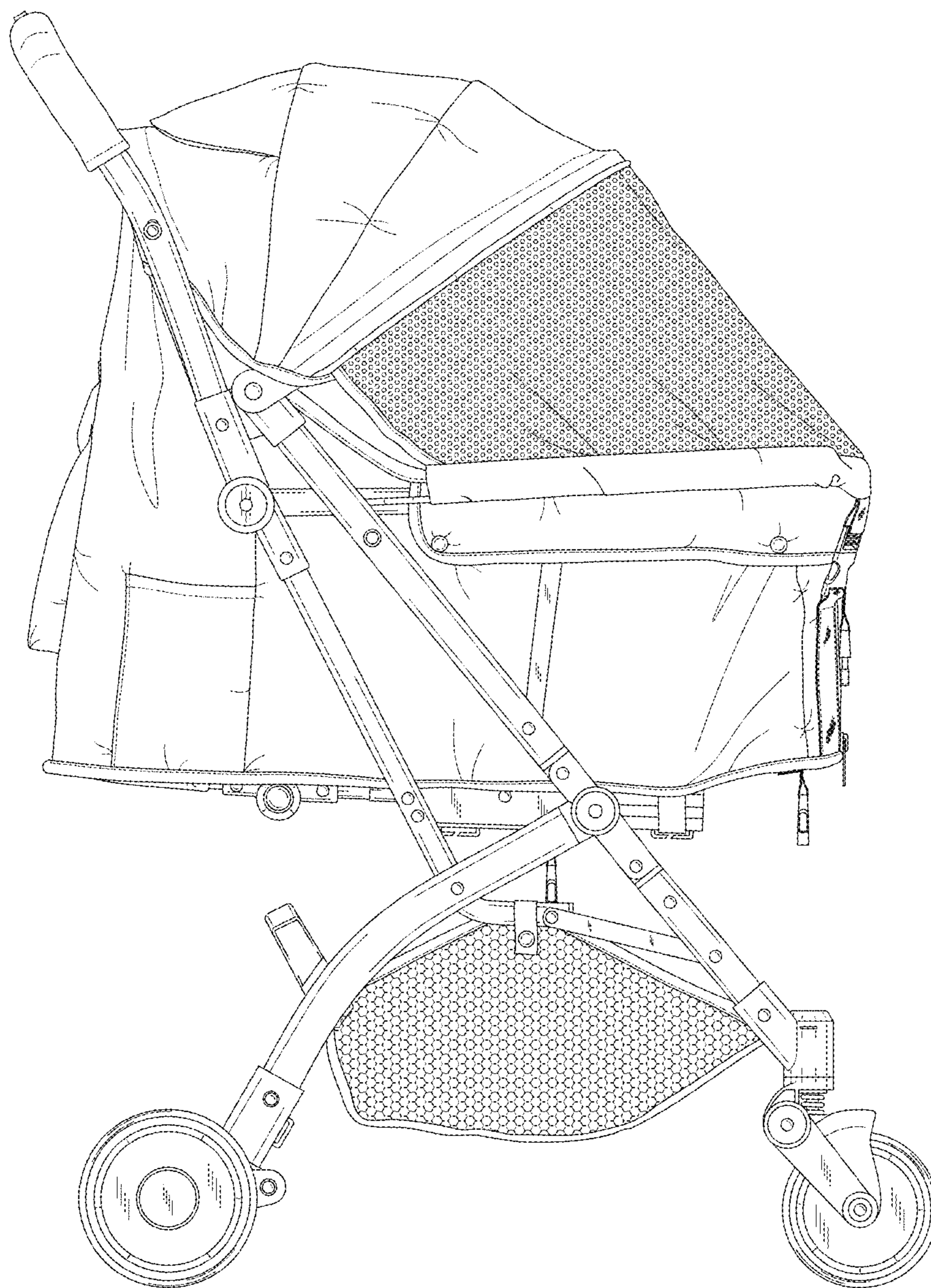


FIG. 5

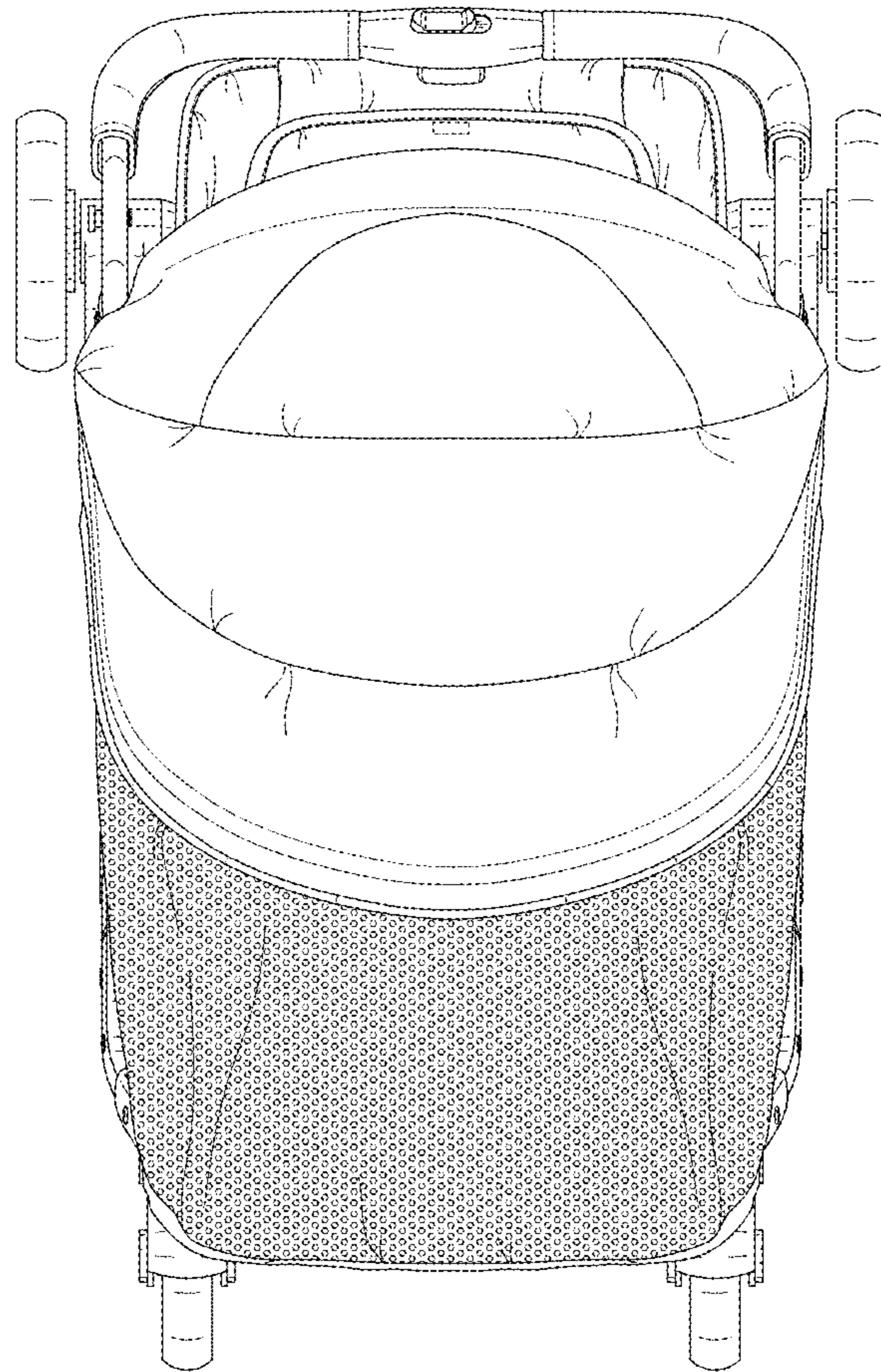


FIG. 6

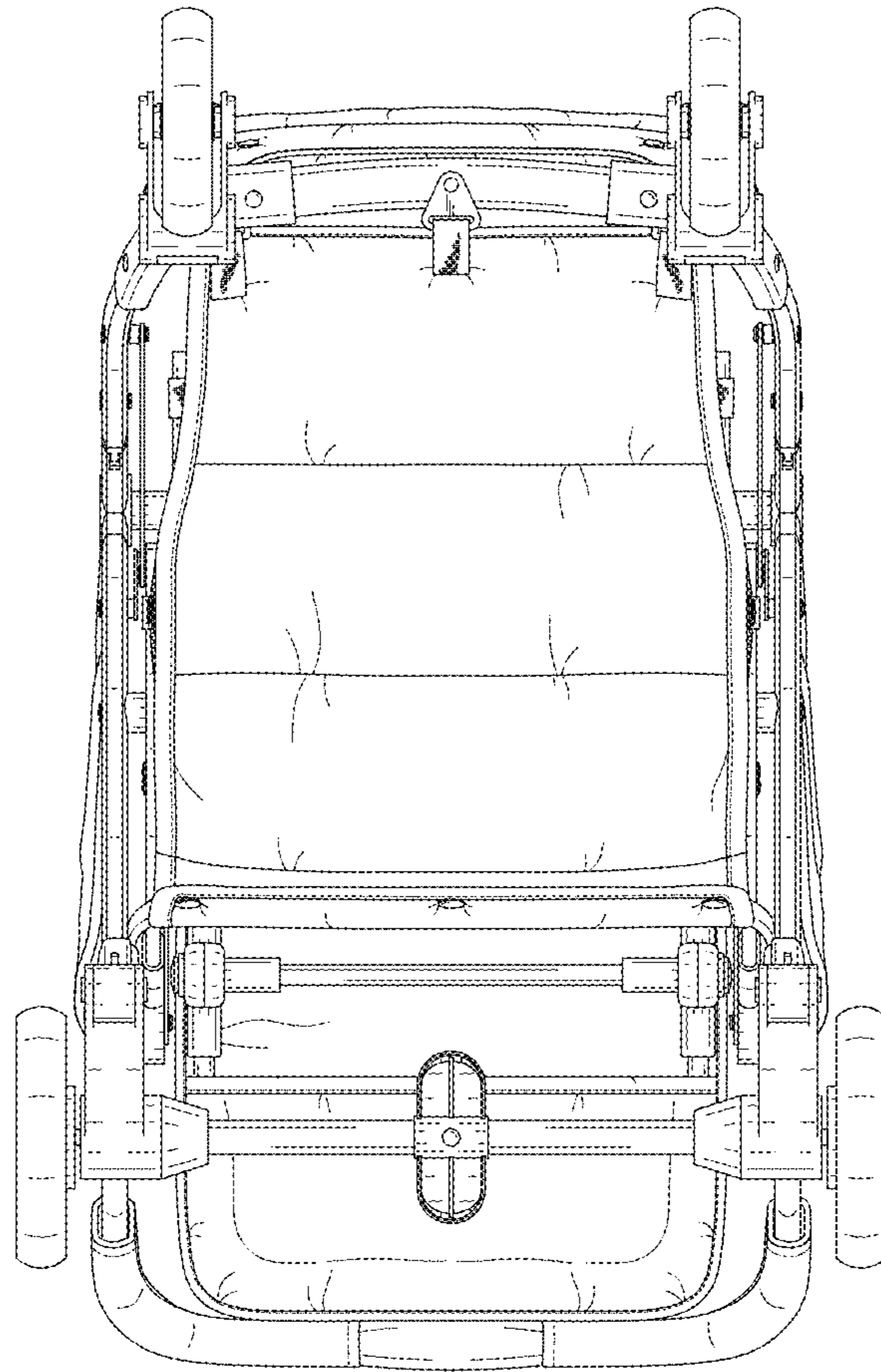


FIG. 7

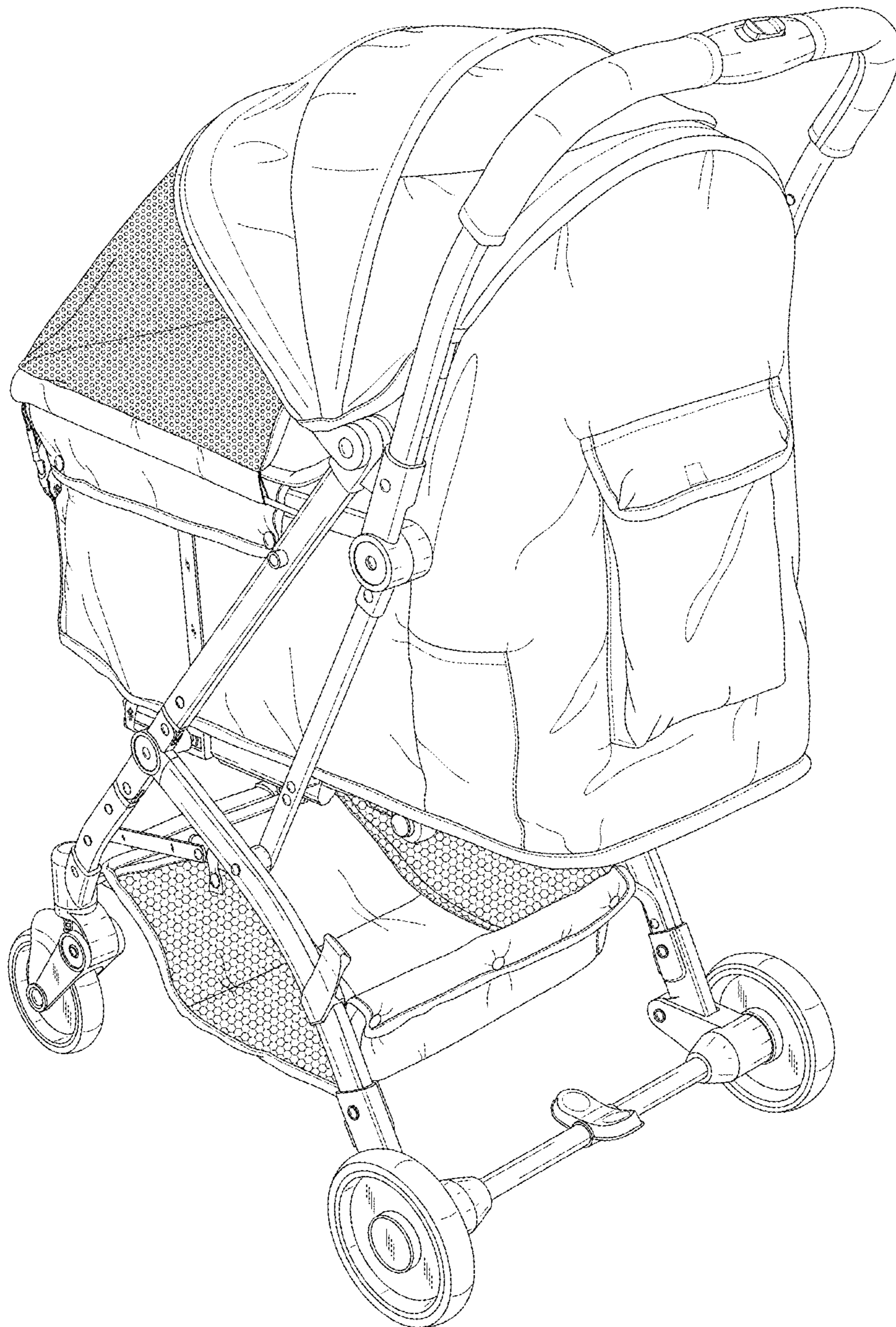


FIG. 8

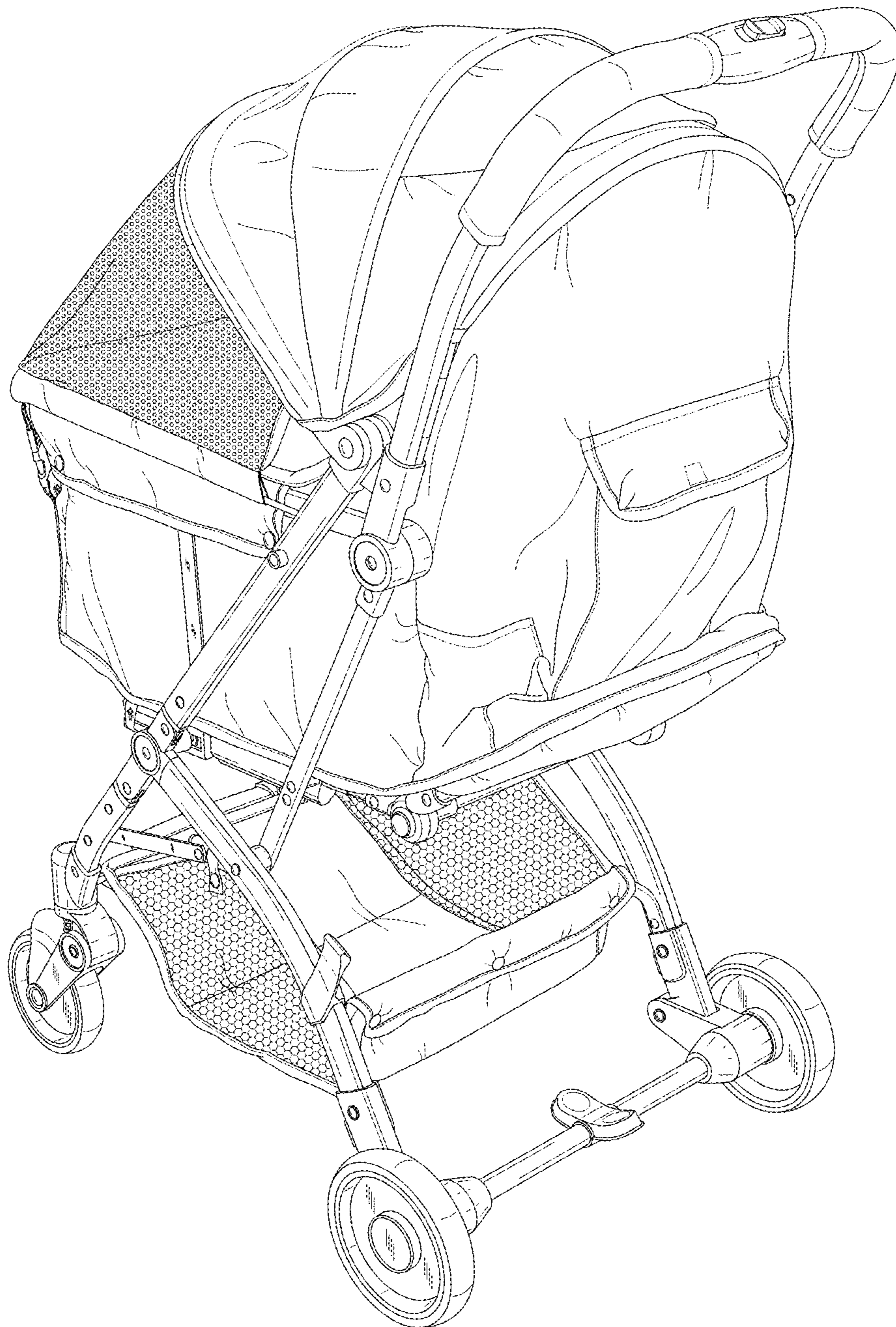


FIG. 9

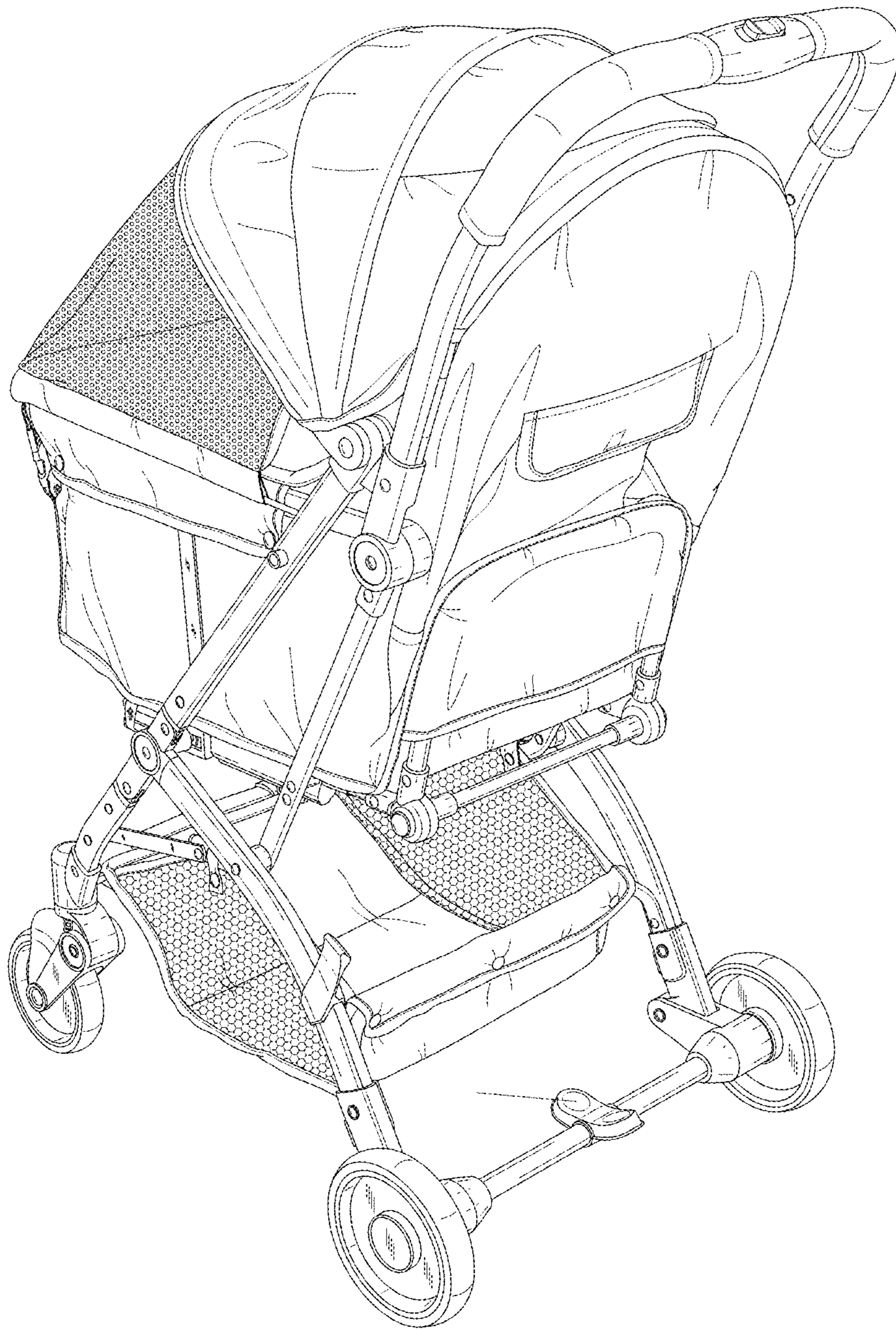


FIG. 10



FIG. 11



FIG. 12



FIG. 13