



US00D897908S

(12) **United States Design Patent**
Johansson et al.

(10) **Patent No.:** **US D897,908 S**
(45) **Date of Patent:** **** Oct. 6, 2020**

- (54) **CHILD MOBILITY DEVICE**
- (71) Applicants: **Paul Johnny Johansson**, Fort Lauderdale, FL (US); **Paul David Johansson**, Wellington, FL (US)
- (72) Inventors: **Paul Johnny Johansson**, Fort Lauderdale, FL (US); **Paul David Johansson**, Wellington, FL (US)
- (73) Assignee: **NOA International, Inc.**, West Palm Beach, FL (US)
- (**) Term: **15 Years**
- (21) Appl. No.: **29/688,174**
- (22) Filed: **Apr. 18, 2019**
- (51) **LOC (12) Cl.** **12-12**
- (52) **U.S. Cl.**
USPC **D12/129**
- (58) **Field of Classification Search**
USPC D12/128-133; D21/434-435
CPC B62B 7/00-04; B62B 9/00-28
See application file for complete search history.

| | | | | |
|-------------------|---------|------------|-------|------------|
| 7,219,920 B2 * | 5/2007 | Lin | | B62B 1/045 |
| | | | | 280/47.24 |
| D571,866 S * | 6/2008 | On | | D21/435 |
| D582,488 S * | 12/2008 | Badanjo | | D21/435 |
| D594,788 S * | 6/2009 | Hartlaub | | D12/113 |
| D777,607 S * | 1/2017 | Fitzwater | | D12/112 |
| D787,378 S * | 5/2017 | Ostergaard | | D12/112 |
| 9,789,893 B2 * | 10/2017 | Young | | B62B 7/12 |
| 2004/0173997 A1 * | 9/2004 | Voll | | A47C 7/006 |
| | | | | 280/652 |
| 2008/0296326 A1 * | 12/2008 | Berlin | | A45F 5/02 |
| | | | | 224/184 |
| 2011/0278815 A1 * | 11/2011 | Khare | | B62K 21/00 |
| | | | | 280/279 |
| 2014/0217696 A1 * | 8/2014 | Bartels | | B62H 7/00 |
| | | | | 280/274 |

* cited by examiner

Primary Examiner — Charles D Hanson

(57) **CLAIM**

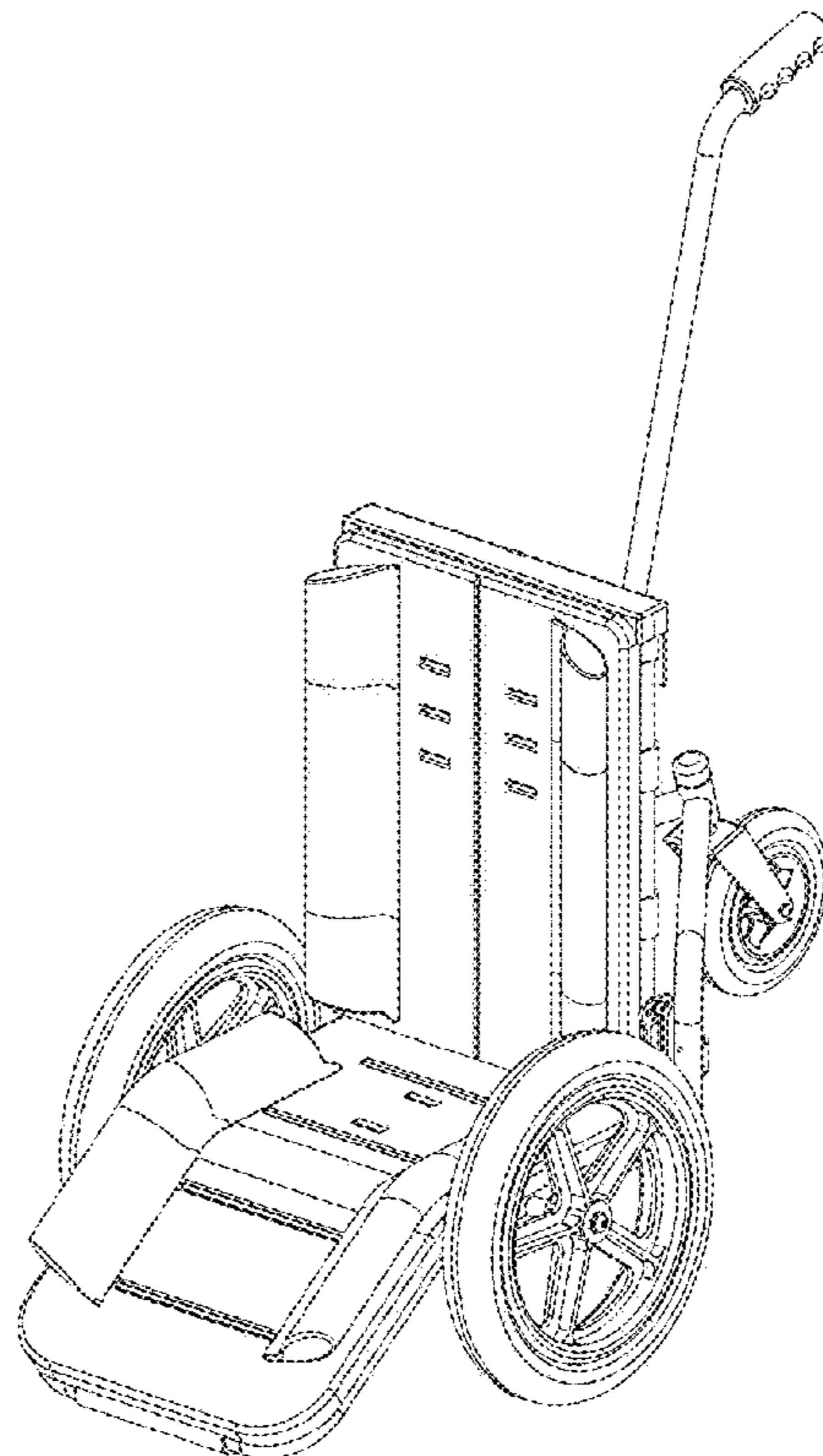
The ornamental design for a child mobility device, as shown.

DESCRIPTION

FIG. 1 is a perspective view of the child mobility device of the instant invention;
FIG. 2 is a front elevational view thereof;
FIG. 3 is a rear elevational view thereof;
FIG. 4 is a left side elevational view thereof;
FIG. 5 is a right side elevational view thereof;
FIG. 6 is a top plan view thereof; and,
FIG. 7 is a bottom plan view thereof.

1 Claim, 7 Drawing Sheets

- (56) **References Cited**
U.S. PATENT DOCUMENTS
- 4,834,403 A * 5/1989 Yanus B60N 2/2848
188/20
- 5,104,134 A * 4/1992 Cone B60N 2/2848
280/30



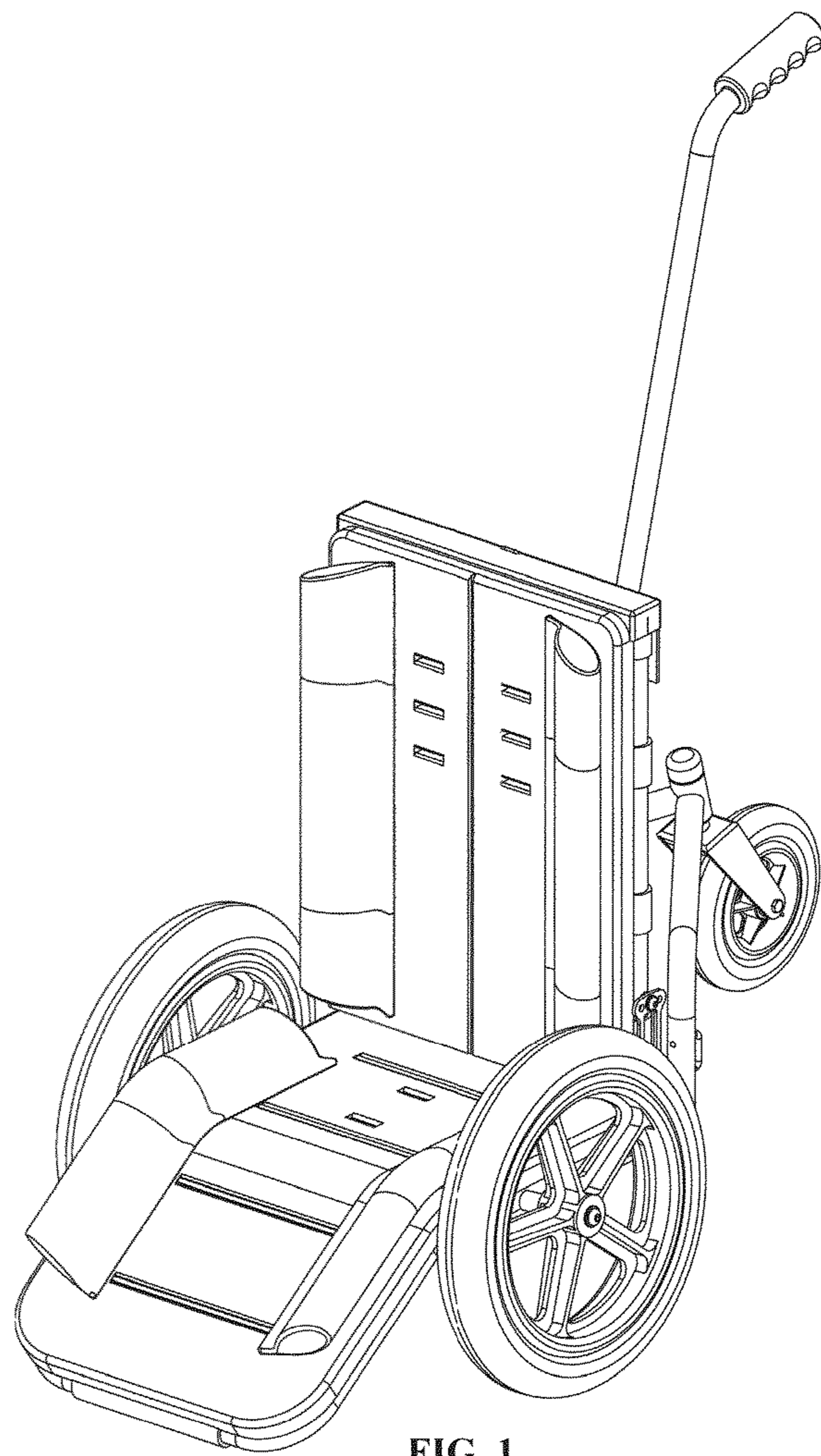


FIG. 1

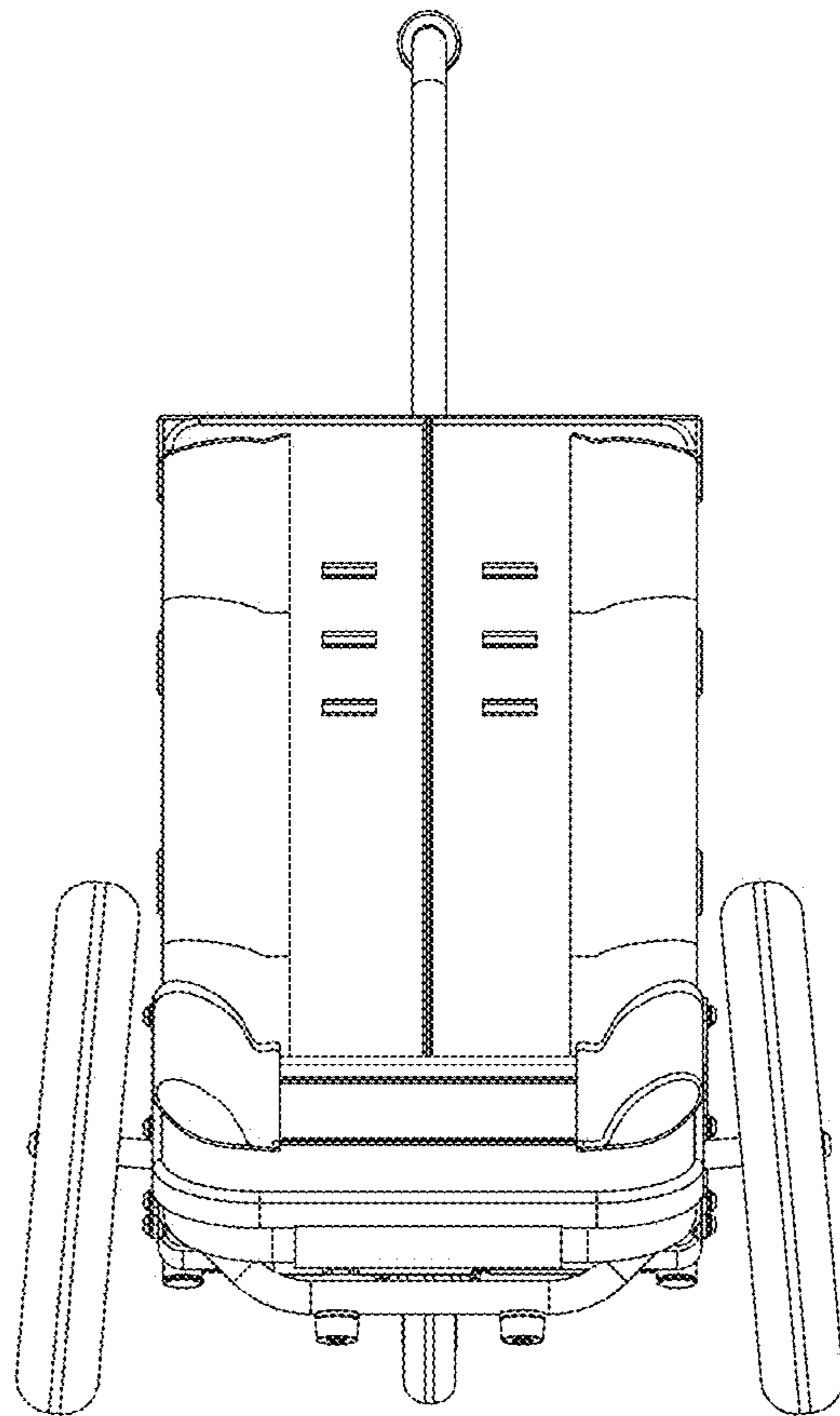


FIG. 2

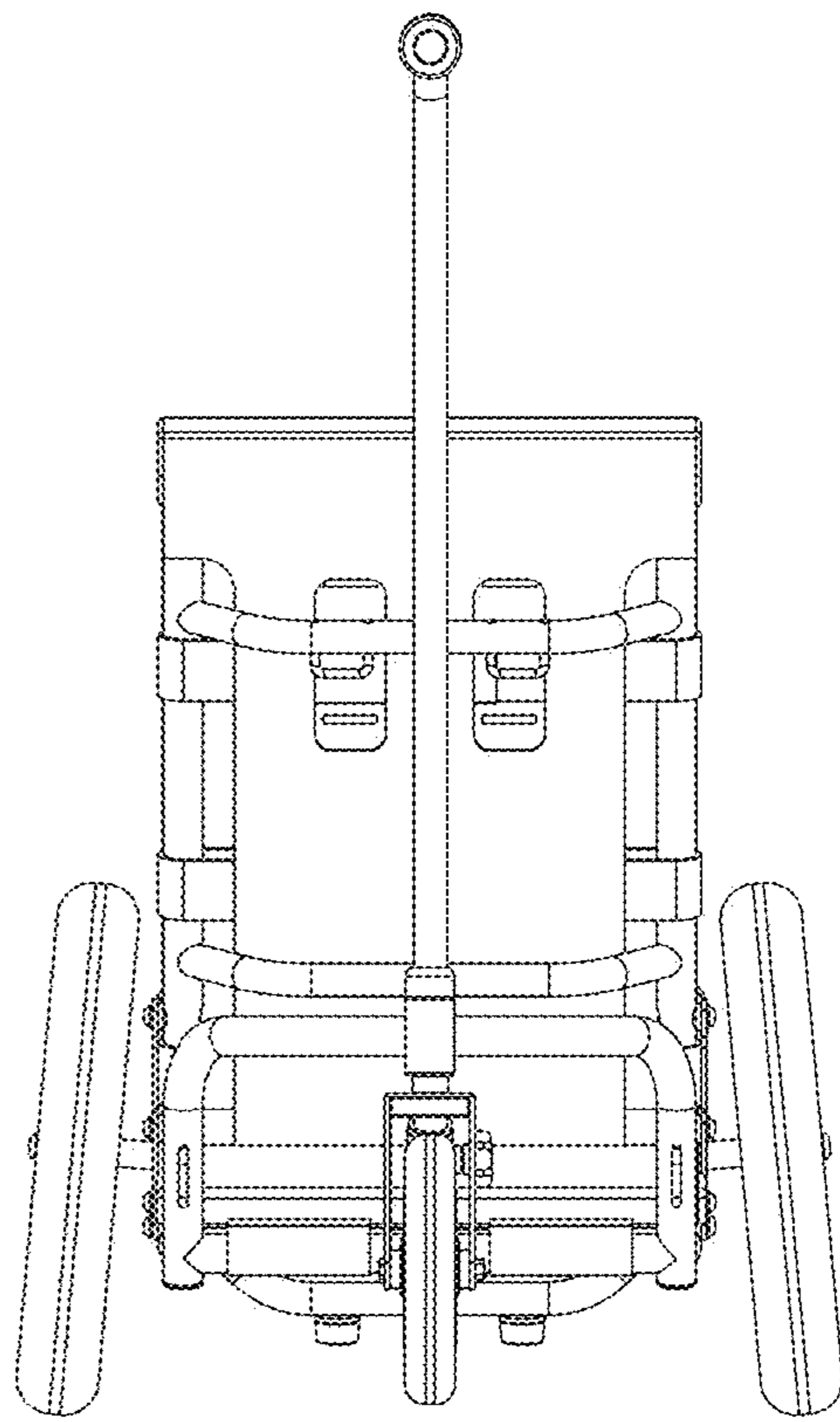


FIG. 3

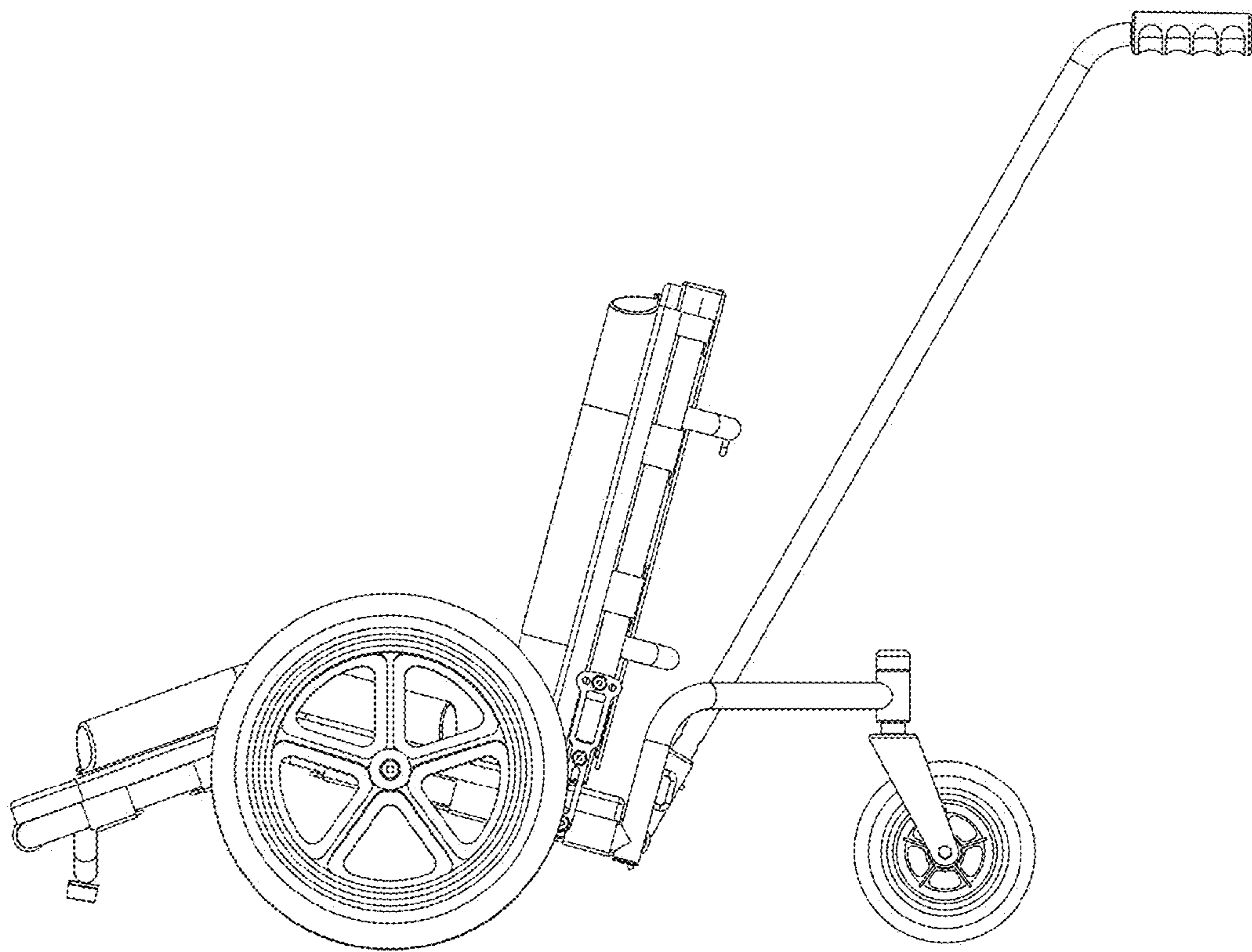


FIG. 4

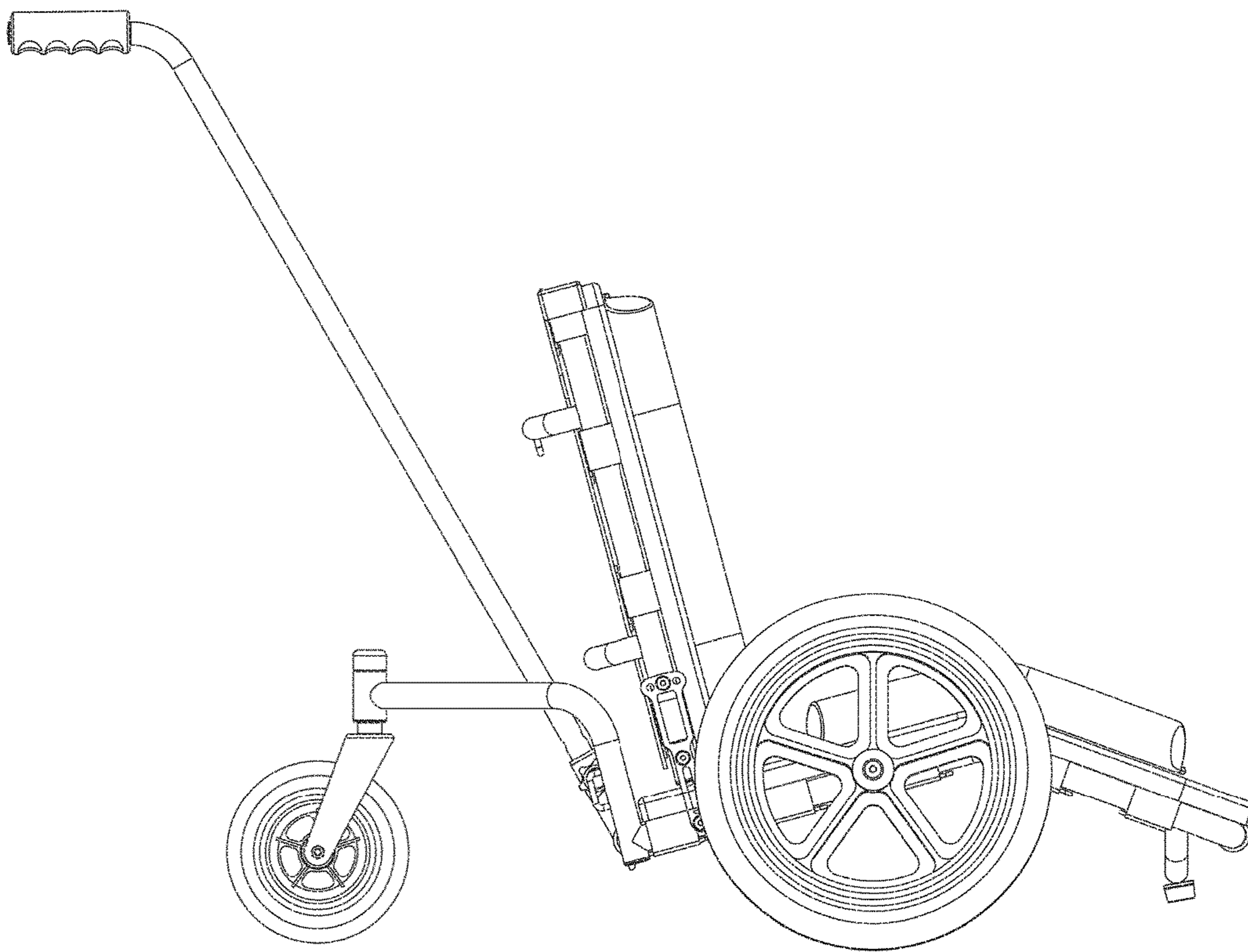


FIG. 5

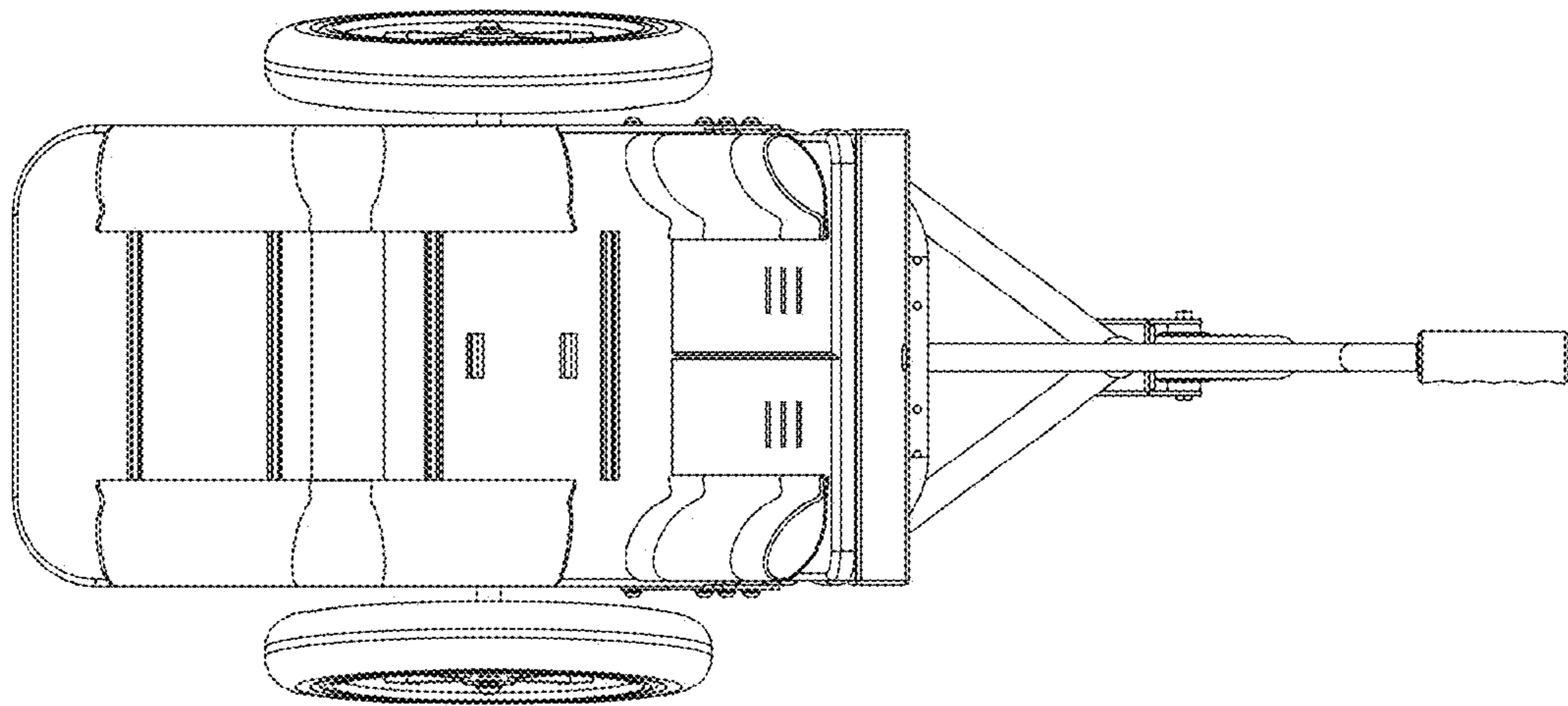


FIG. 6

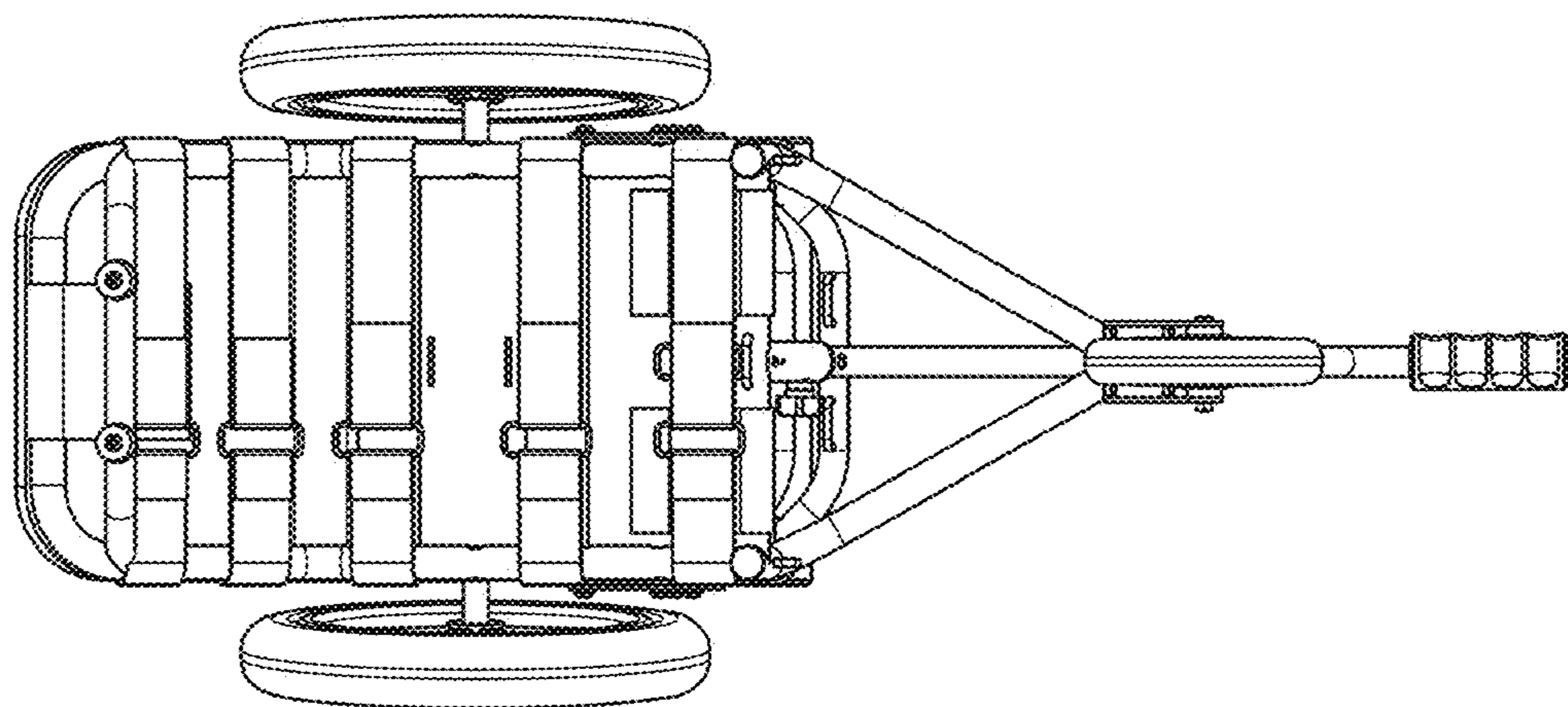


FIG. 7