



US00D897906S

(12) **United States Design Patent**
Allais

(10) **Patent No.:** **US D897,906 S**

(45) **Date of Patent:** **** Oct. 6, 2020**

(54) **RIDING DEVICE**

(71) Applicant: **Denis Allais**, Auckland (NZ)

(72) Inventor: **Denis Allais**, Auckland (NZ)

(**) Term: **15 Years**

(21) Appl. No.: **29/662,823**

(22) Filed: **Sep. 10, 2018**

(51) **LOC (12) Cl.** **12-11**

(52) **U.S. Cl.**

USPC **D12/112; D21/426**

(58) **Field of Classification Search**

USPC D21/412, 414, 419, 423-428, 431-435;
D12/1, 87, 107, 110-114, 129, 130, 133

CPC A63G 25/00; B62D 21/183; B62D 39/00;
B60K 7/0007

See application file for complete search history.

(56) **References Cited**

U.S. PATENT DOCUMENTS

3,533,484 A *	10/1970	Wood, Jr.	B62M 6/65 180/206.4
D246,198 S *	10/1977	Rose	D21/426
D249,496 S *	9/1978	Morgan	D12/112
D252,714 S *	8/1979	Tidwell	D21/426
D276,058 S *	10/1984	Rogers	D21/426
D280,916 S *	10/1985	Castle	D21/426

D320,420 S *	10/1991	Dupont	D12/88
D320,586 S *	10/1991	Tellinghuisen	D12/112
D582,992 S *	12/2008	Alais	D21/426
D692,505 S *	10/2013	Jiang	D12/112
D692,506 S *	10/2013	Jiang	D12/112
2004/0199311 A1 *	10/2004	Aguilar	G09B 9/042 701/36
2010/0032223 A1 *	2/2010	Kermani	B60K 7/0007 180/216

* cited by examiner

Primary Examiner — Darlington Ly

(74) *Attorney, Agent, or Firm* — Nixon & Vanderhye P.C.

(57) **CLAIM**

The ornamental design for a riding device, as shown and described.

DESCRIPTION

FIG. 1 is a front perspective view of a riding device showing my new design;

FIG. 2 is a front elevation view thereof;

FIG. 3 is a rear elevation view thereof;

FIG. 4 is a top plan view thereof;

FIG. 5 is a bottom plan view thereof;

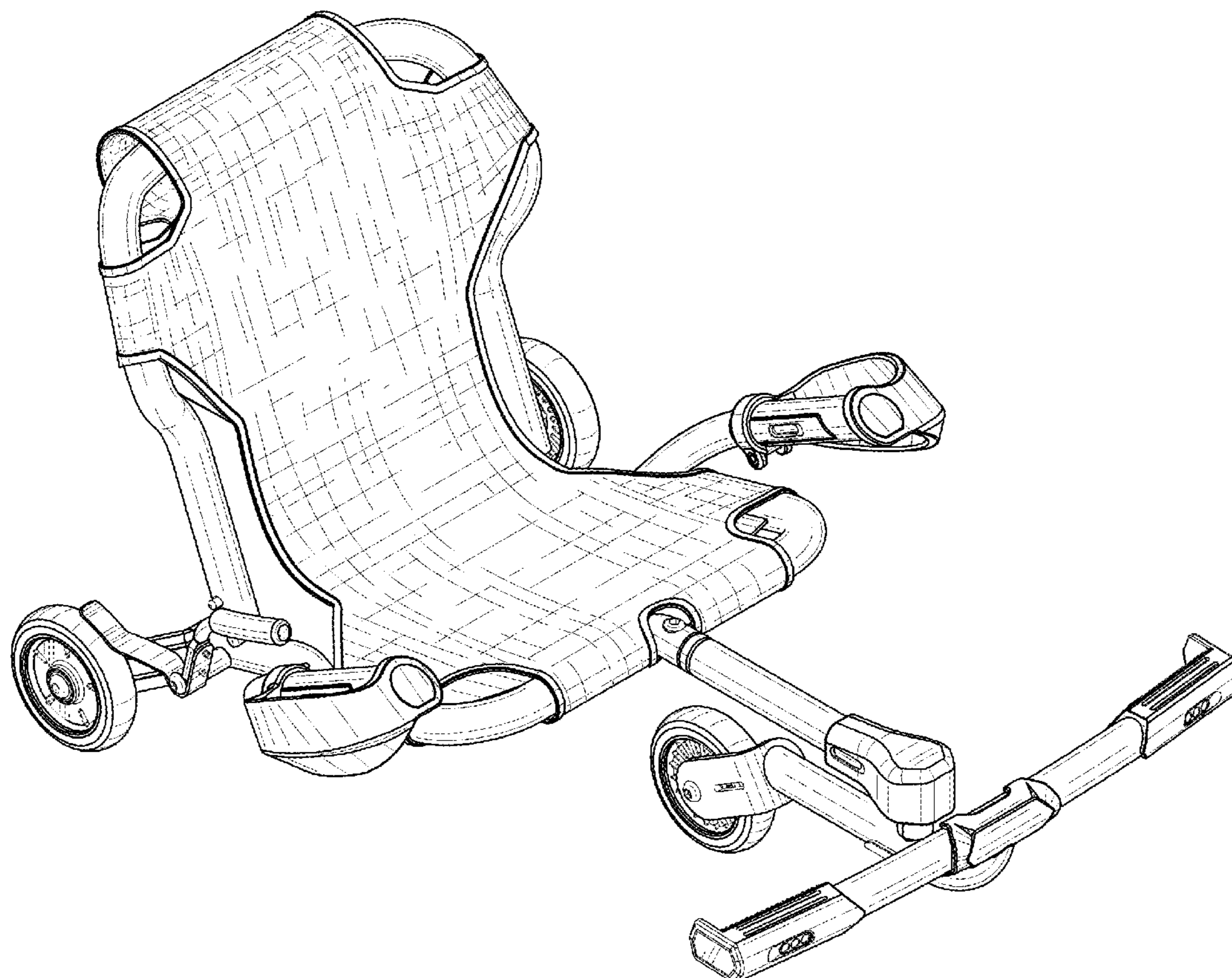
FIG. 6 is a left side elevation view thereof;

FIG. 7 is a right side elevation view thereof; and,

FIG. 8 is a bottom perspective view thereof.

The seating surface is shown with hatching to indicate a contrasting material or color.

1 Claim, 8 Drawing Sheets



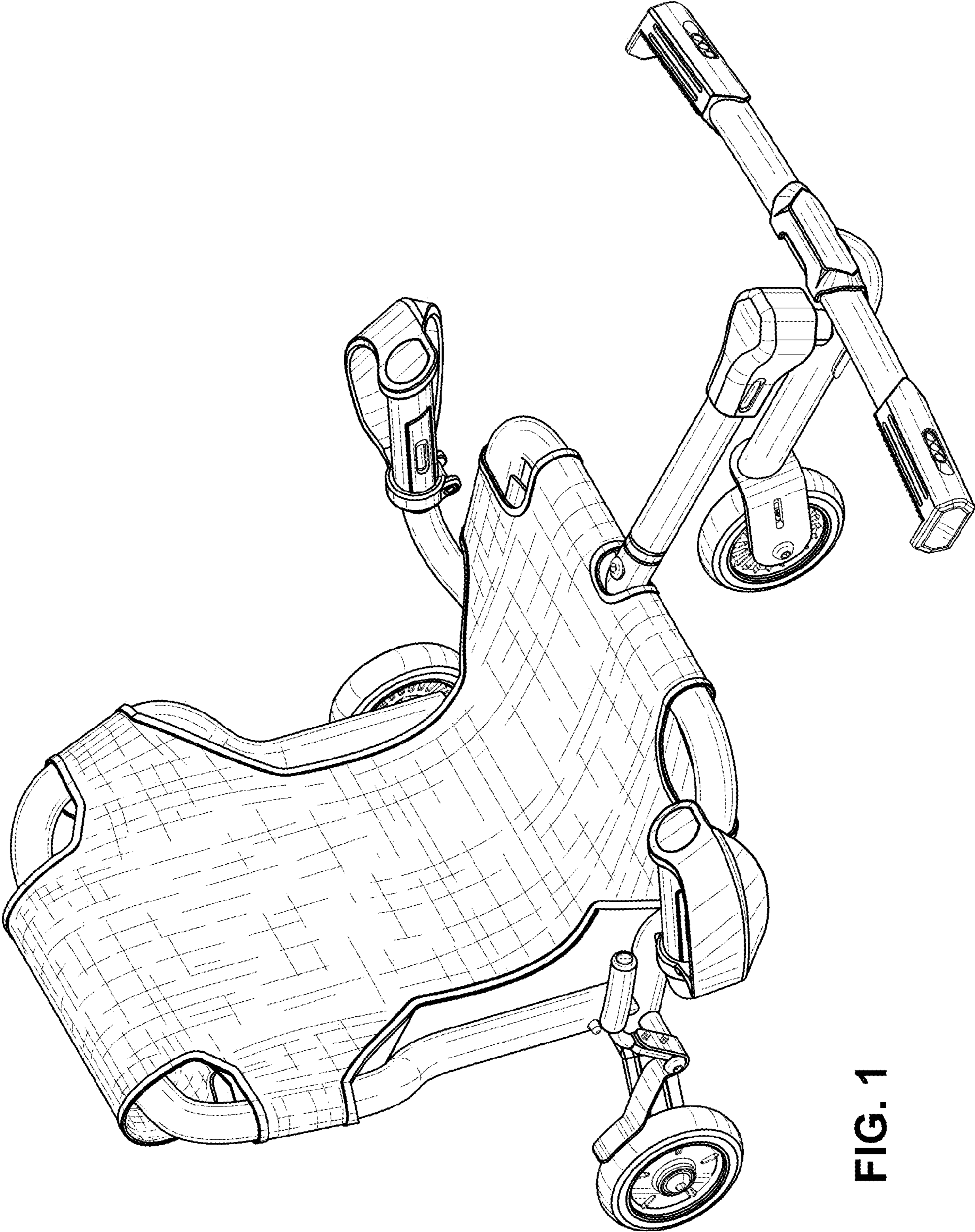


FIG. 1

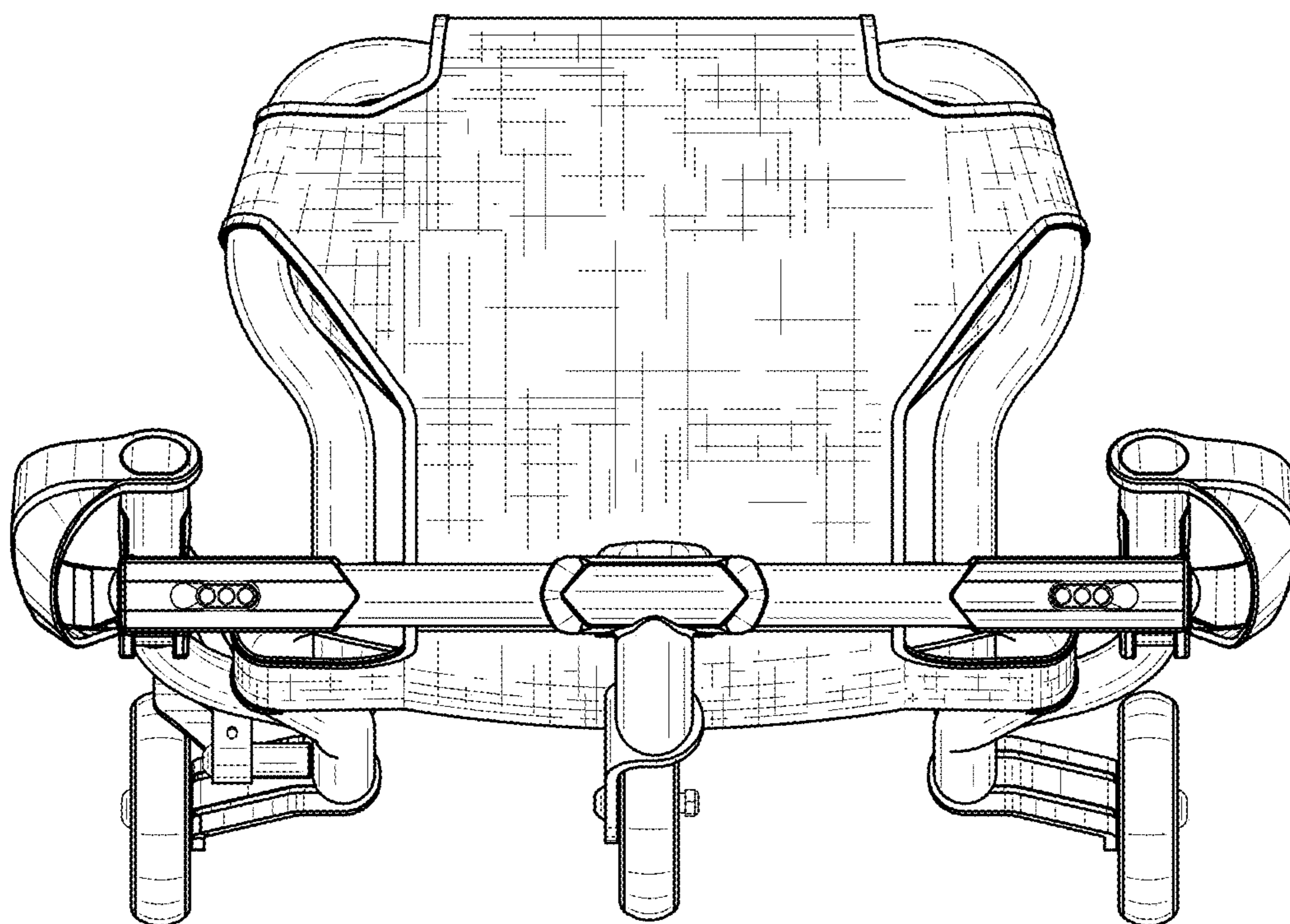


FIG. 2

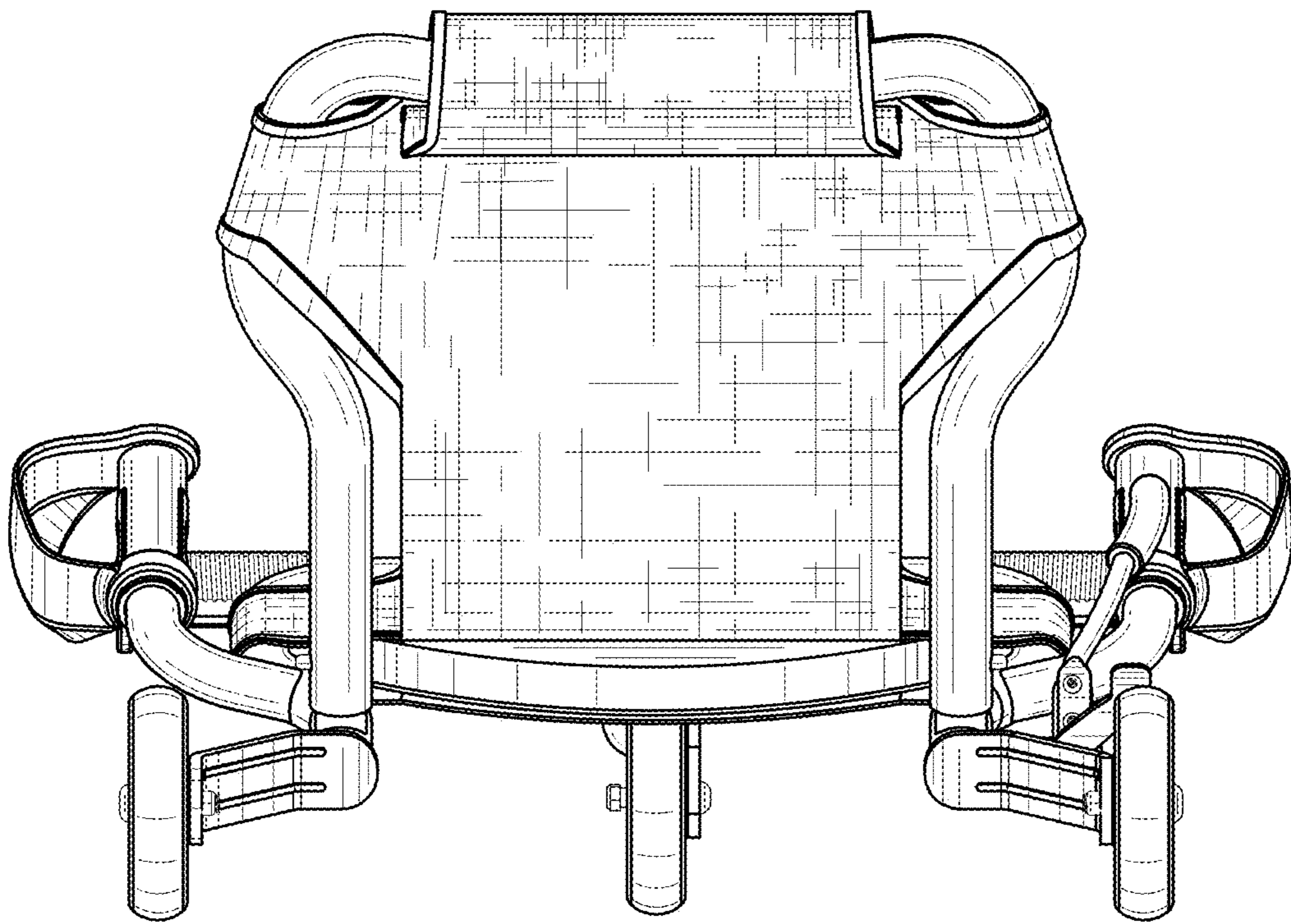


FIG. 3

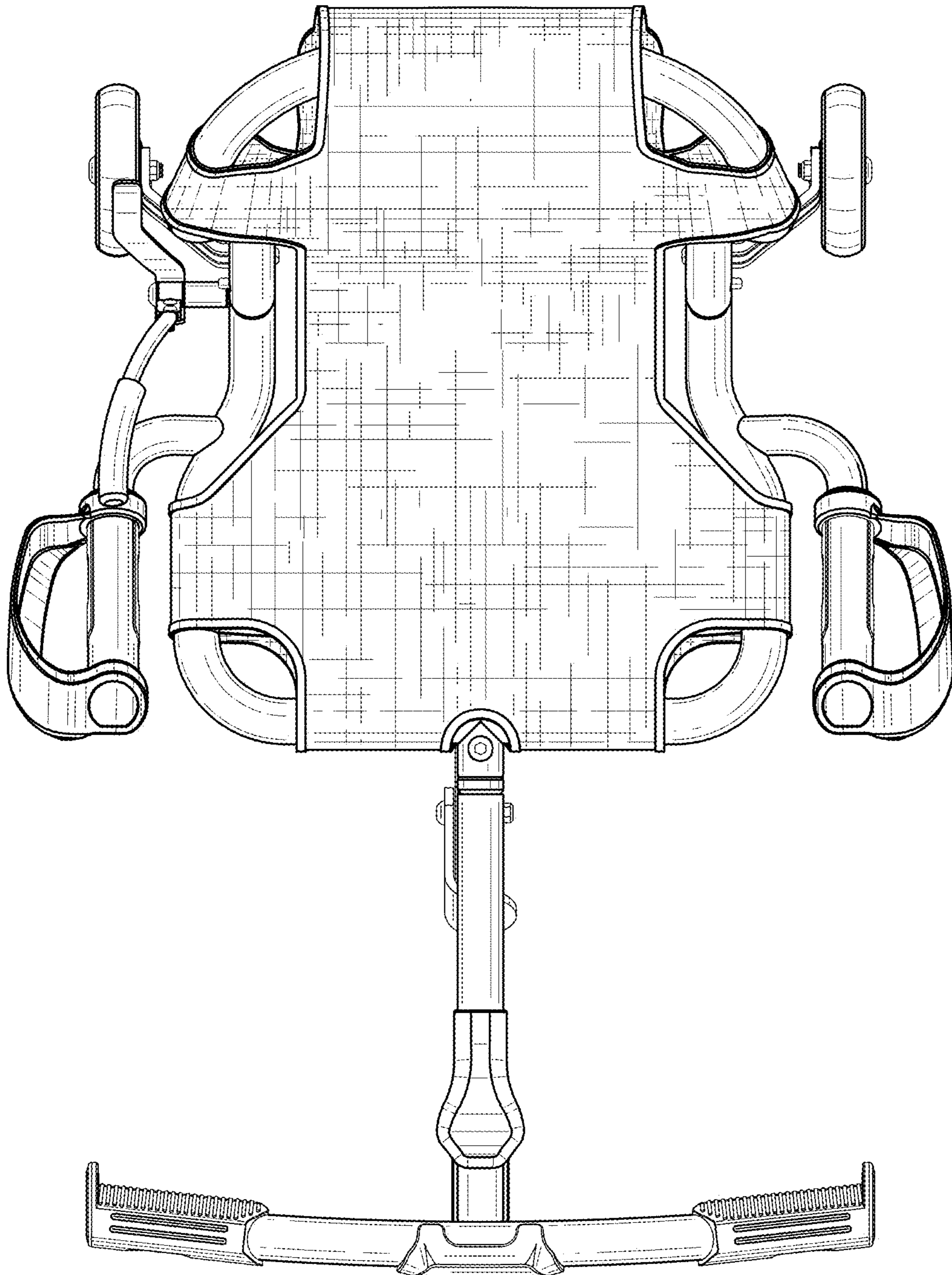


FIG. 4

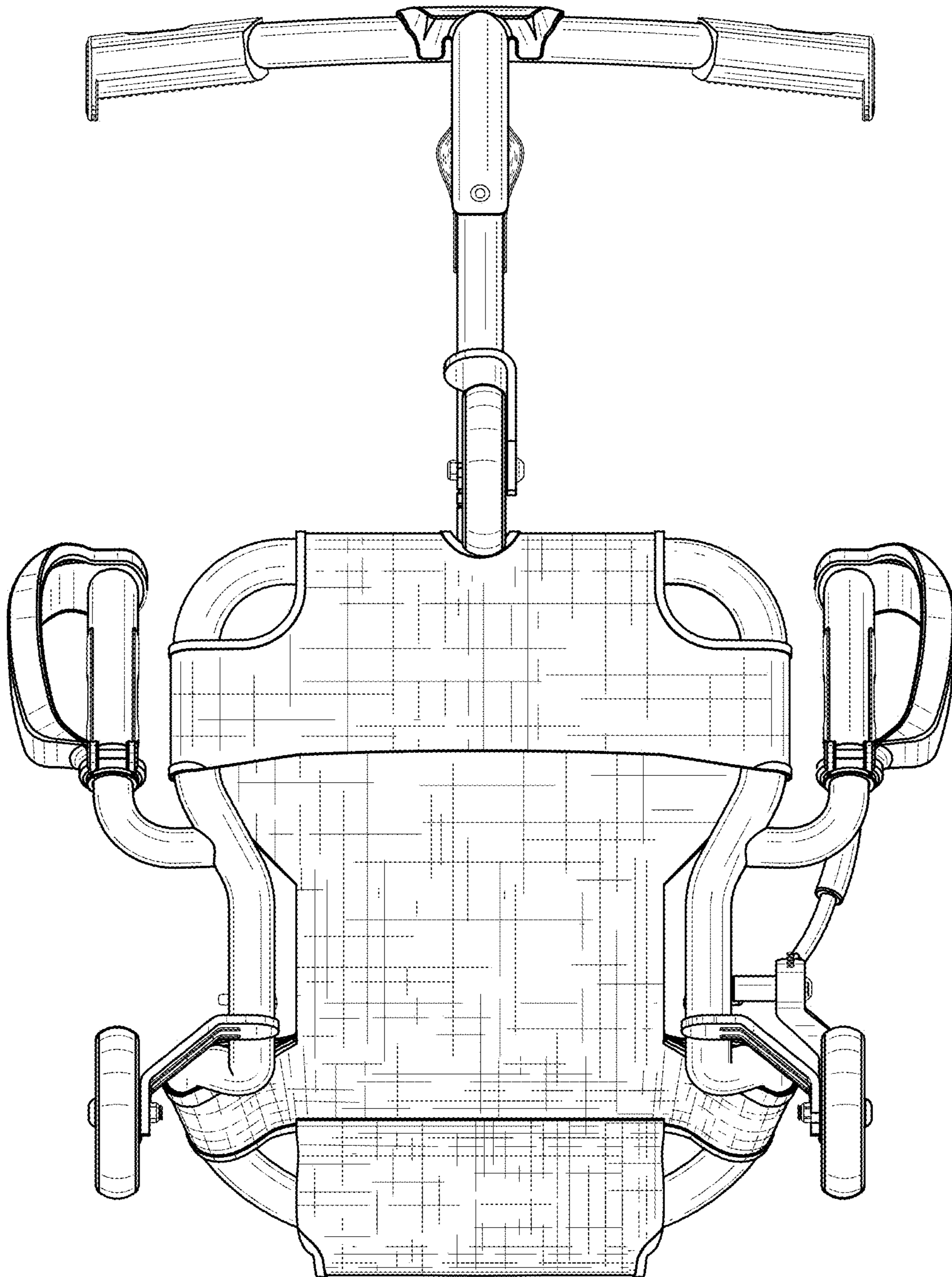


FIG. 5

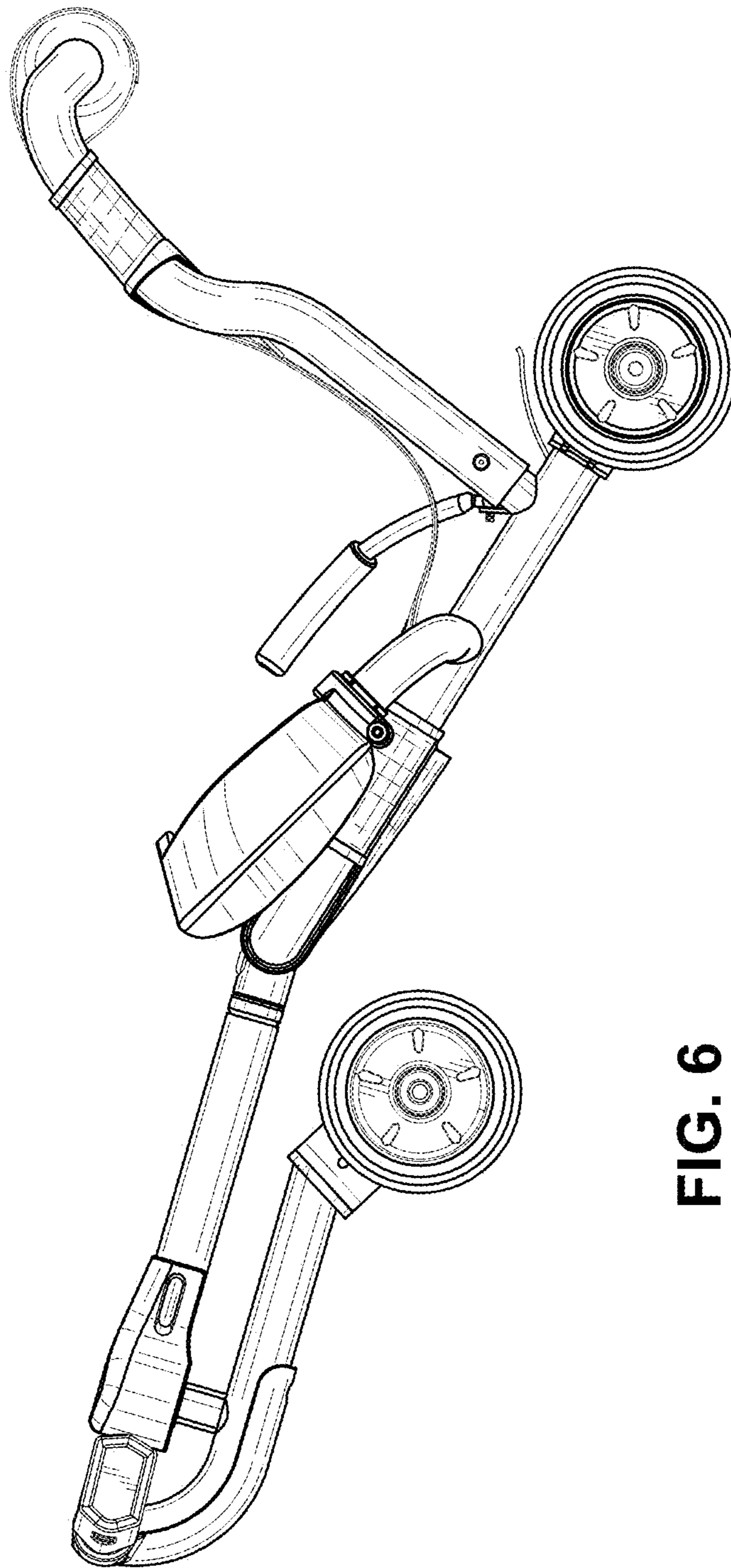


FIG. 6

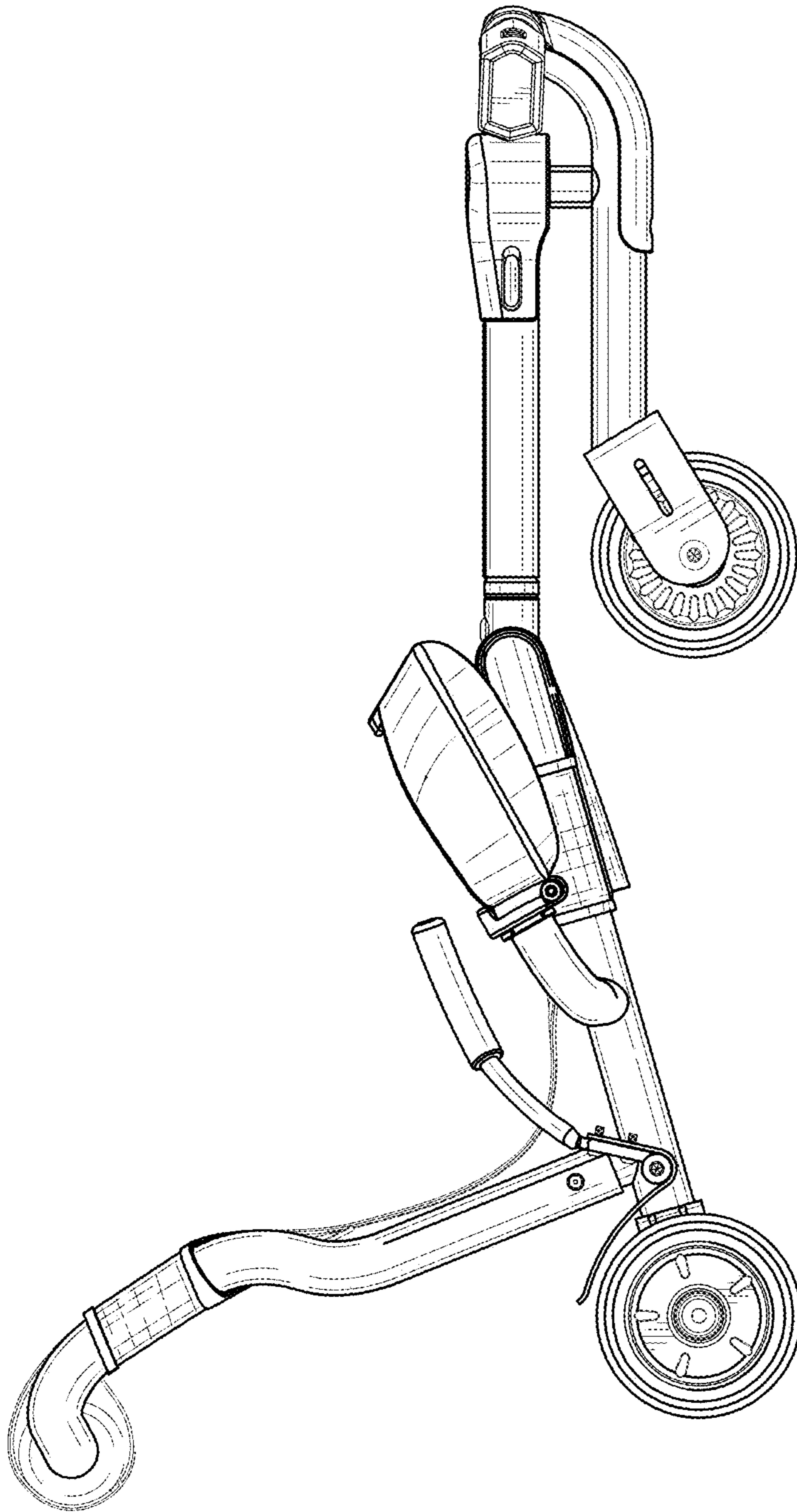


FIG. 7

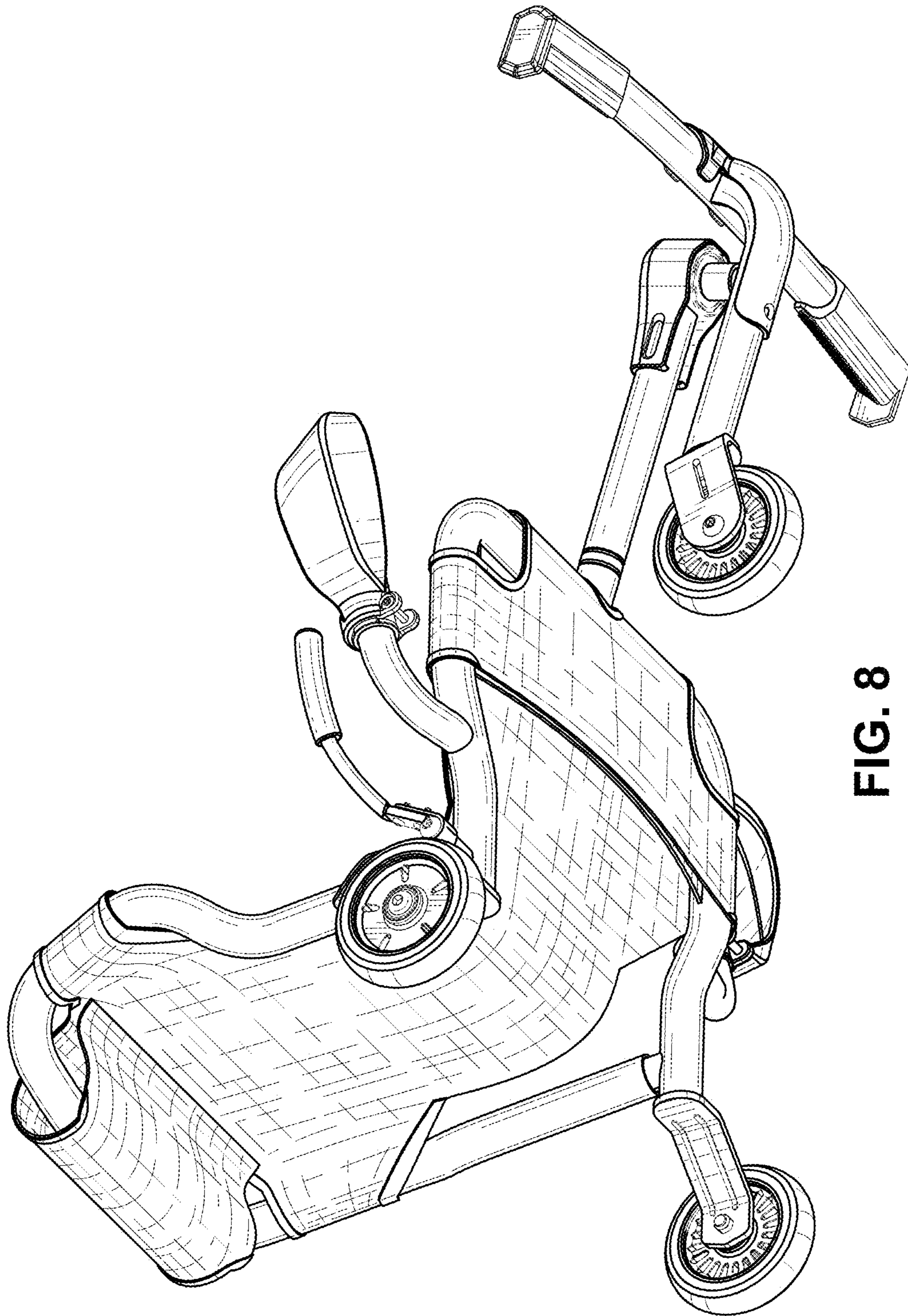


FIG. 8