



US00D897905S

(12) **United States Design Patent** (10) **Patent No.:** **US D897,905 S**  
**Hamilton et al.** (45) **Date of Patent:** **\*\* Oct. 6, 2020**

(54) **MOTOR VEHICLE EXTERIOR**

(71) Applicant: **Ford Global Technologies, LLC**,  
Dearborn, MI (US)

(72) Inventors: **Christopher Hamilton**, Chelmsford  
(GB); **Jordan Bennett**, Brentwood  
(GB)

(73) Assignee: **Ford Global Technologies, LLC**,  
Dearborn, MI (US)

(\*\*) Term: **15 Years**

(21) Appl. No.: **29/680,360**

(22) Filed: **Feb. 15, 2019**

(30) **Foreign Application Priority Data**

Aug. 28, 2018 (DE) ..... 40 2018 100 844

(51) **LOC (12) Cl.** ..... **12-08**

(52) **U.S. Cl.**  
USPC ..... **D12/99; D12/91**

(58) **Field of Classification Search**  
USPC ..... D12/86, 90-92, 88; D21/424, 433, 434;  
296/181.1-181.5, 183.1  
CPC ..... B62D 25/00; B62D 25/06; B62D 33/00;  
B62D 35/00

See application file for complete search history.

(56) **References Cited**

U.S. PATENT DOCUMENTS

D696,156 S	12/2013	Campbell et al.	
D696,607 S	12/2013	Campbell et al.	
D814,974 S *	4/2018	Koizumi et al.	D12/91
D832,146 S	10/2018	Metros et al.	
D835,001 S	12/2018	Metros et al.	
D835,002 S	12/2018	Metros et al.	
D850,979 S *	6/2019	Metros et al.	D12/91

\* cited by examiner

*Primary Examiner* — Melody N Brown  
 (74) *Attorney, Agent, or Firm* — Vichit Chea

(57) **CLAIM**

The ornamental design for a motor vehicle exterior, as shown and described.

**DESCRIPTION**

FIG. 1 is a front elevational view of a motor vehicle exterior, showing our new design;  
 FIG. 2 is a rear elevational view thereof;  
 FIG. 3 is a left side elevational view thereof;  
 FIG. 4 is a right side elevational view thereof;  
 FIG. 5 is a top plan view thereof;  
 FIG. 6 is a top, front, and left side perspective view thereof;  
 and,  
 FIG. 7 is a top, rear, and left side perspective view thereof.

**1 Claim, 7 Drawing Sheets**

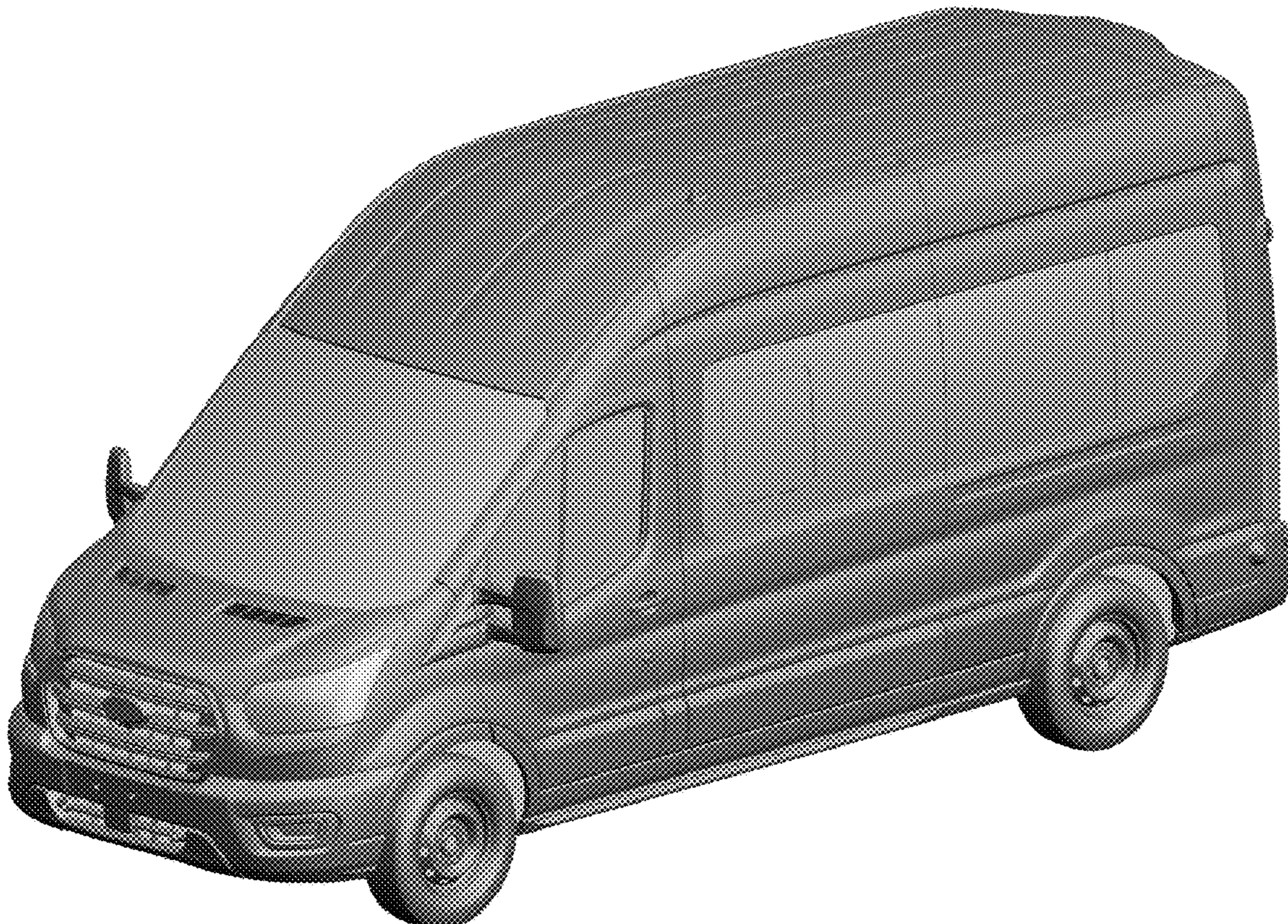




Fig. 1

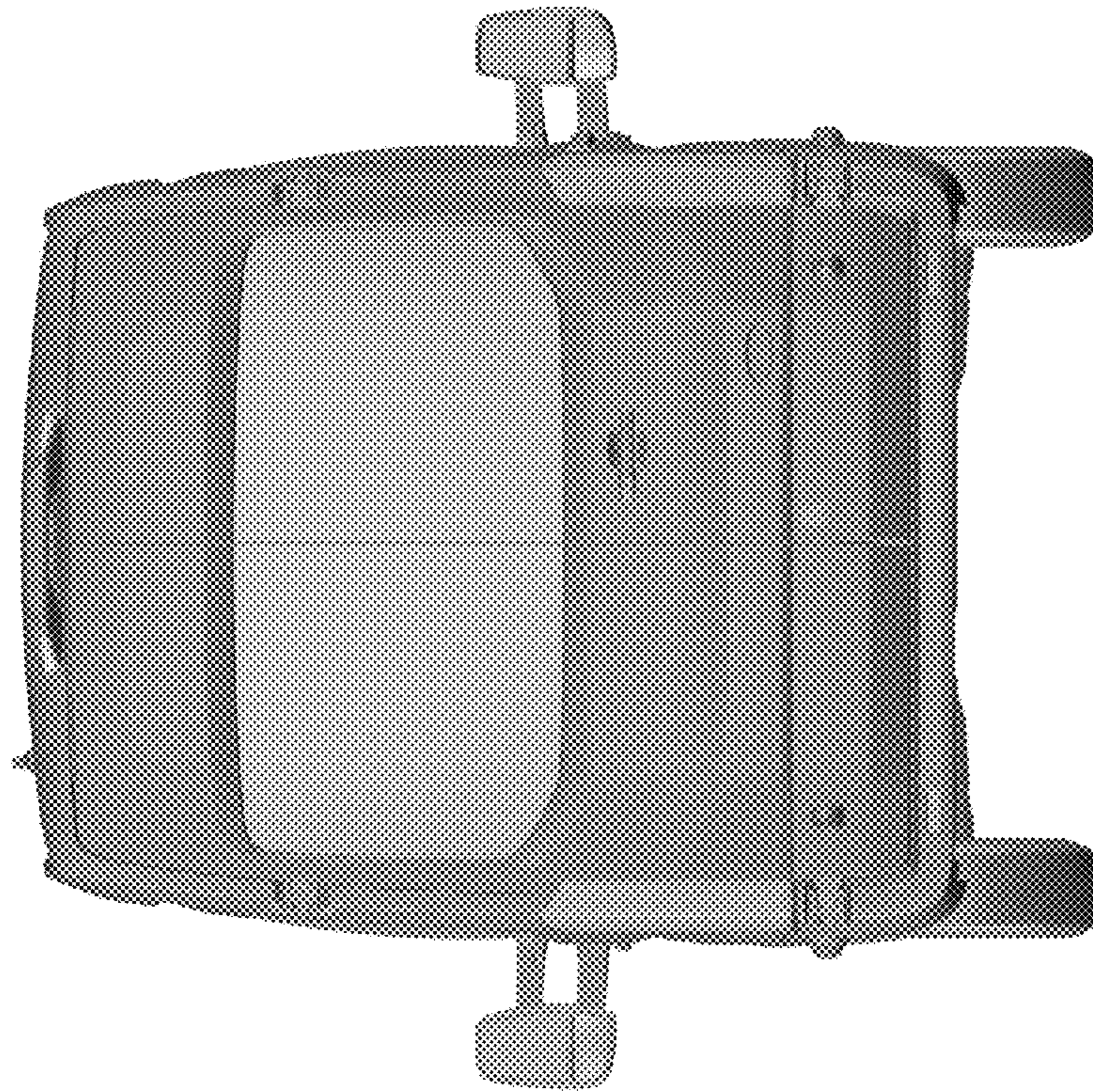


Fig. 2



Fig. 3

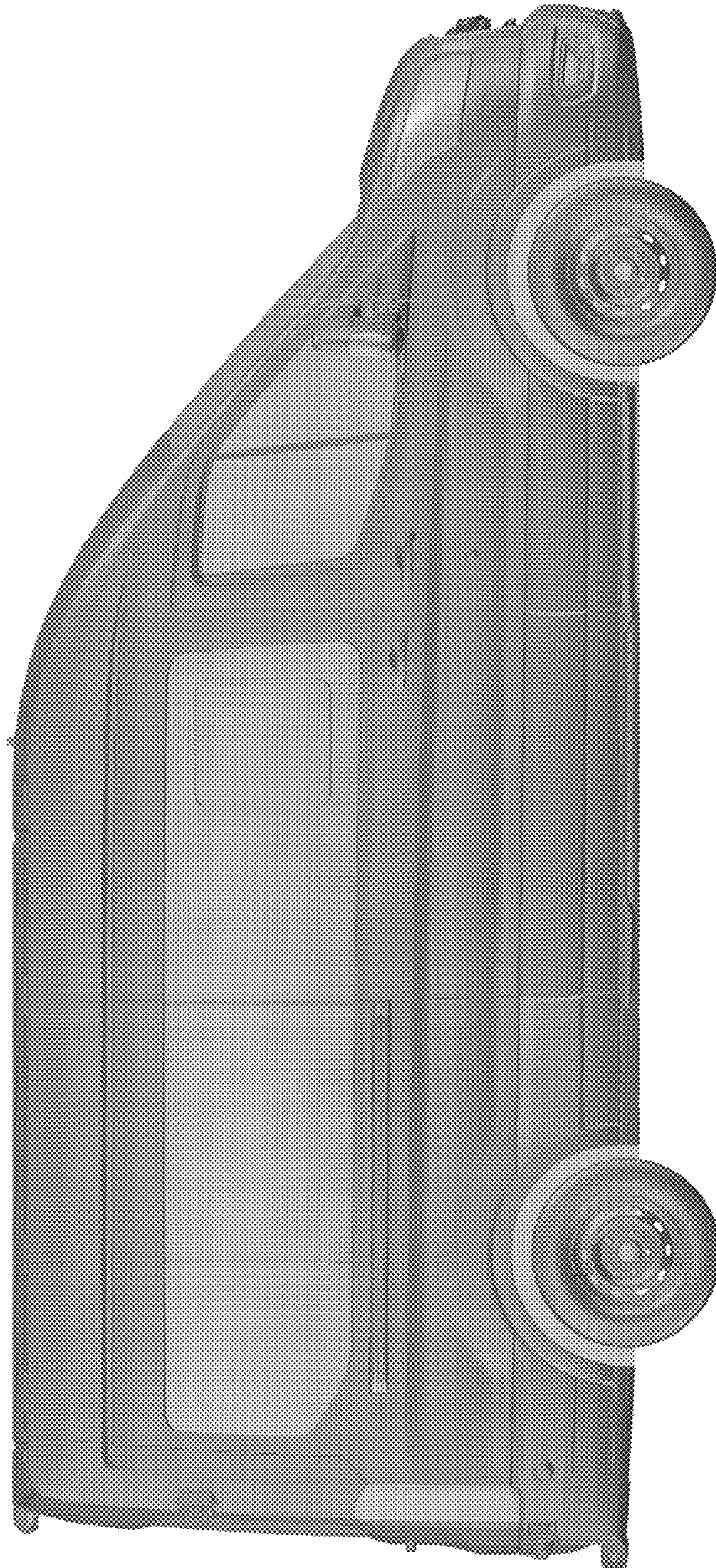


Fig. 4

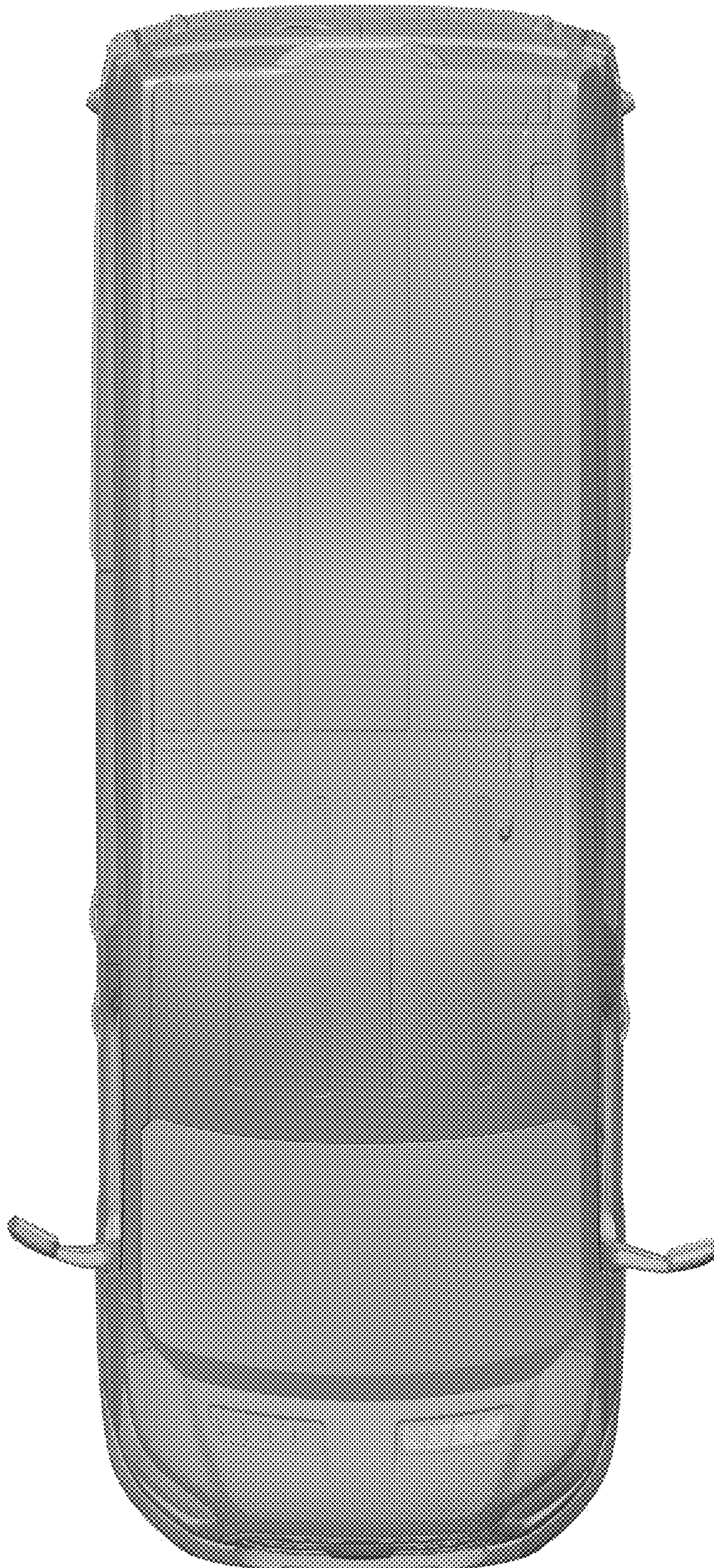


Fig. 5



Fig. 6



Fig. 7