

US00D897897S

(12) **United States Design Patent**
Morales

(10) **Patent No.:** **US D897,897 S**

(45) **Date of Patent:** **** Oct. 6, 2020**

(54) **THIRD RAIL INSULATOR**

(71) Applicant: **Miguel Angel Morales**, Hialeah, FL
(US)

(72) Inventor: **Miguel Angel Morales**, Hialeah, FL
(US)

(**) Term: **15 Years**

(21) Appl. No.: **29/704,479**

(22) Filed: **Sep. 5, 2019**

(51) **LOC (12) Cl.** **12-03**

(52) **U.S. Cl.**
USPC **D12/51**

(58) **Field of Classification Search**
USPC D12/51; 191/30, 32
CPC . B60M 1/00; B60M 1/30; B60M 1/04; B60M
1/307
See application file for complete search history.

(56) **References Cited**

U.S. PATENT DOCUMENTS

- 574,101 A * 12/1896 Martin B60M 1/307
191/32
- 619,974 A * 2/1899 Martin B60M 1/307
191/32
- 759,767 A * 5/1904 Steinberger B60M 1/307
191/32
- 775,592 A * 11/1904 Barnard B60M 1/307
191/32
- 928,709 A * 7/1909 Steinberger B60M 1/307
191/32
- 932,523 A * 8/1909 Weaver B60M 1/307
191/32
- 1,028,668 A * 6/1912 Blair B60M 1/307
191/32
- 1,532,836 A * 4/1925 Schmid B60M 1/307
191/30
- 1,592,077 A * 7/1926 Butler B60M 1/307
191/32

- 1,837,096 A * 12/1931 Banks B60M 1/04
248/297.31
- 2,048,367 A * 7/1936 Banks B60M 1/307
191/32
- 2,502,756 A * 4/1950 Schmid B60M 1/307
191/32
- 3,071,656 A * 1/1963 Donaldson B60M 1/307
191/32

OTHER PUBLICATIONS

Conductor Rail Insulators_Allied Insulators, www.alliedinsulators.com [online]. Published on or before Jul. 14, 2020, [retrieved on Jul. 14, 2020]. Retrieved from the Internet: <URL:http://www.alliedinsulators.com/products/railway/conductor-rail-insulators/> (Year: 2020).*

* cited by examiner

Primary Examiner — Karen E Kearney

Assistant Examiner — Adam C Mager

(74) *Attorney, Agent, or Firm* — Albert Bordas, P.A.

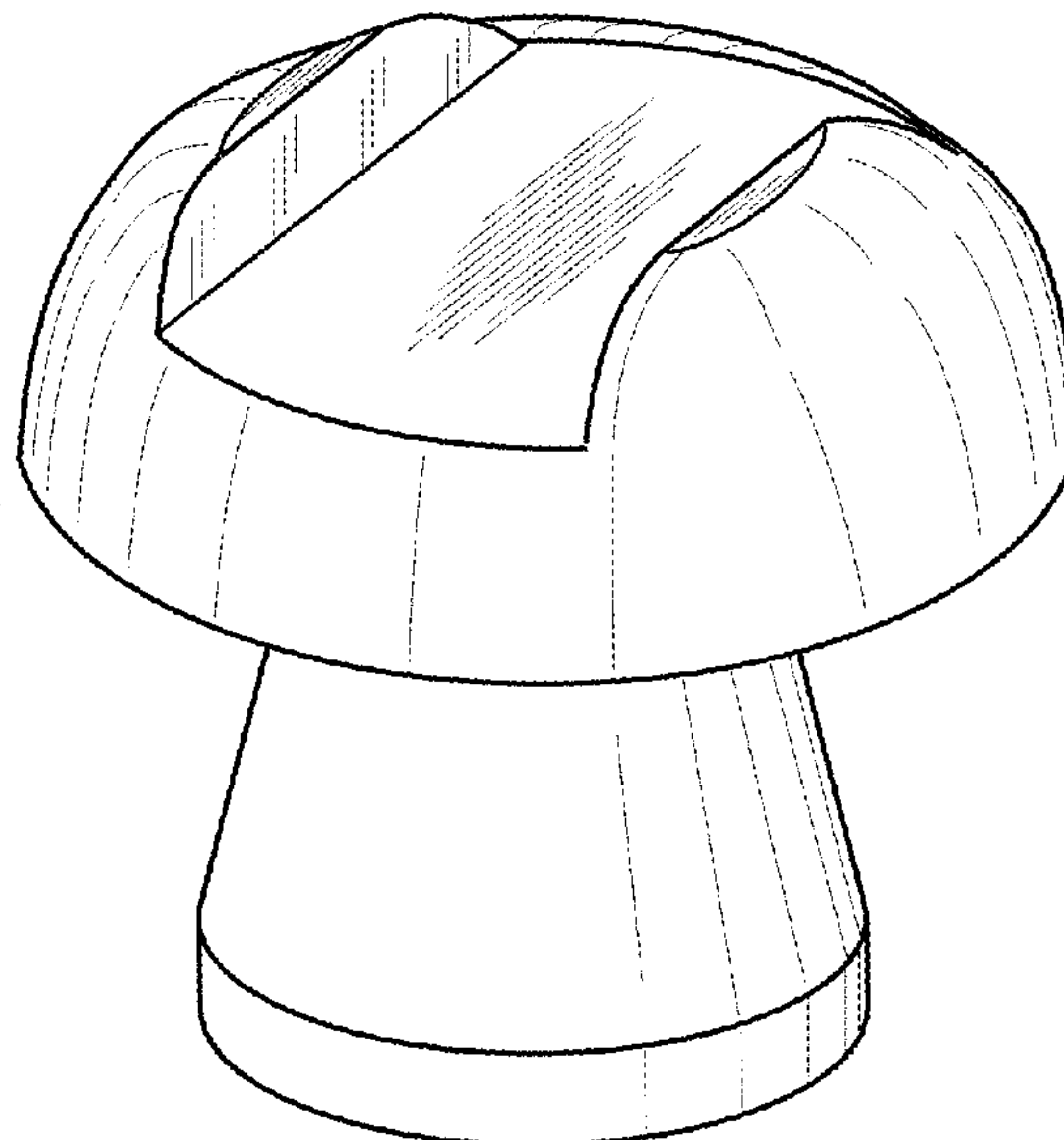
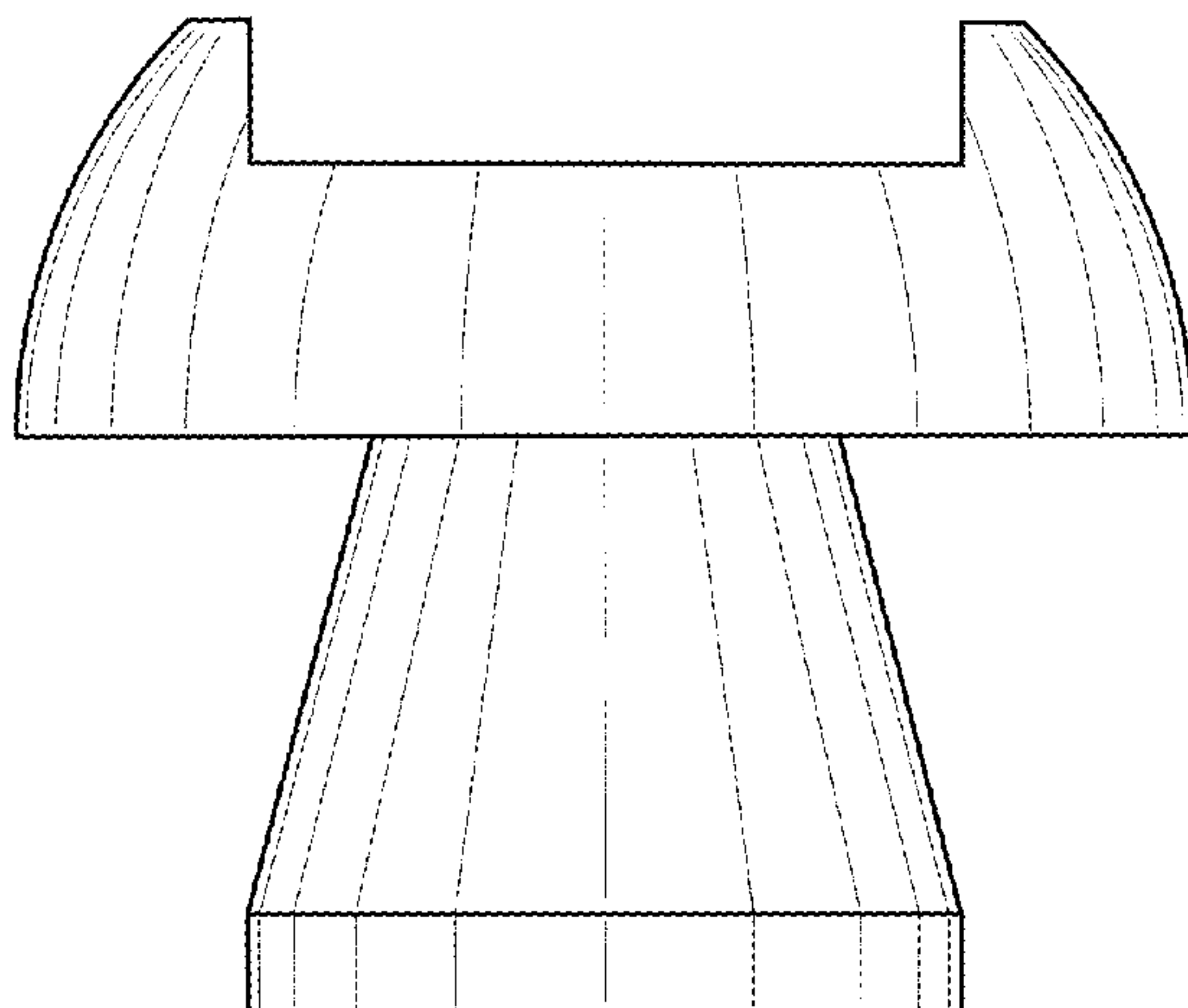
(57) **CLAIM**

The ornamental design for a third rail insulator, as shown and described.

DESCRIPTION

FIG. 1 is a top plan view of a third rail insulator; FIG. 2 is a front elevational view thereof, the rear elevational view being a mirror image thereof; FIG. 3 is a right-side elevational view thereof, the left-side elevational view being a mirror image thereof; FIG. 4 is an isometric view thereof; and, FIG. 5 is an isometric view thereof, showing the design with a third rail mounted thereto. The broken lines represent environmental structure and form no part of the claimed design.

1 Claim, 3 Drawing Sheets



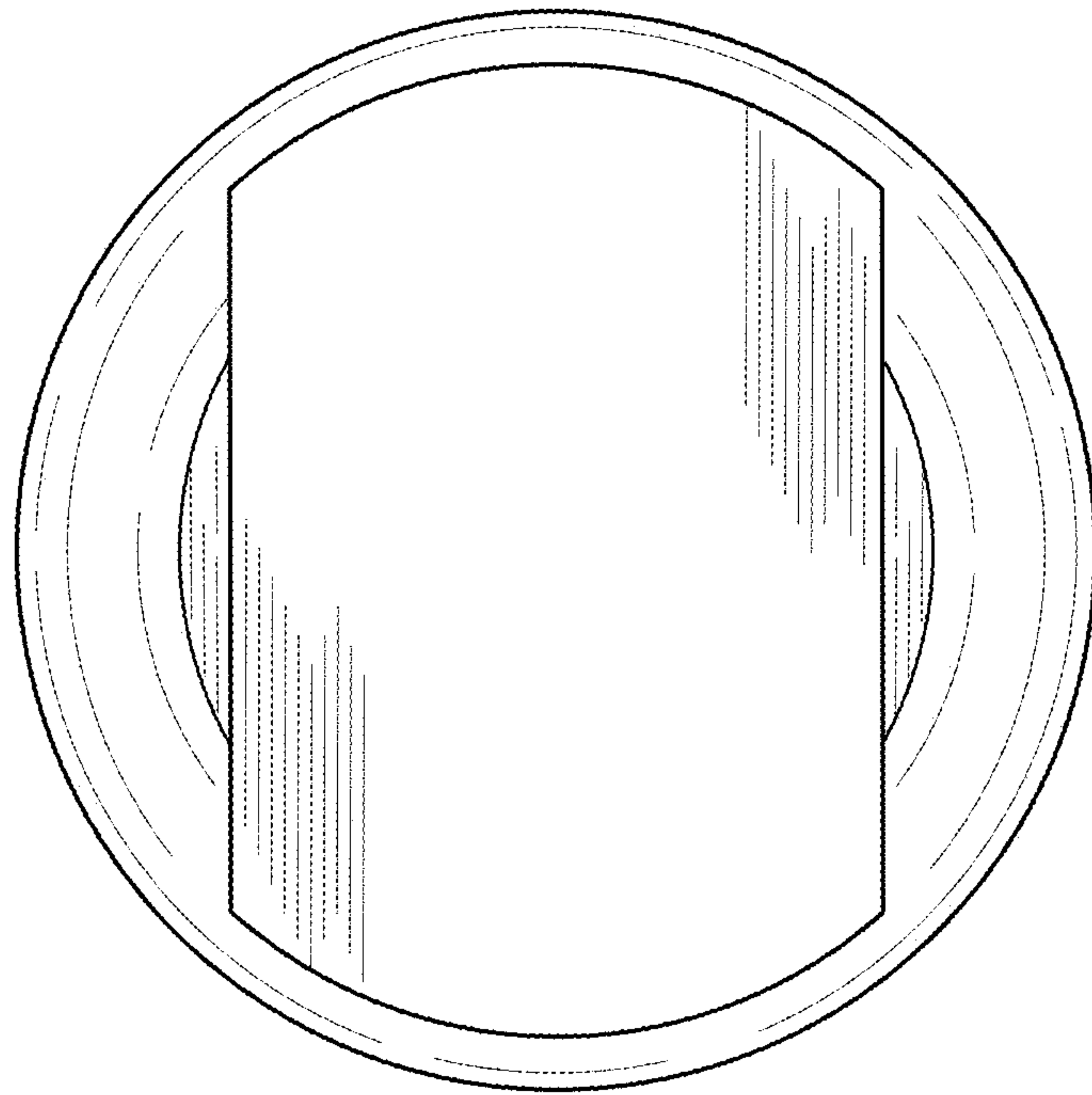


Fig. 1

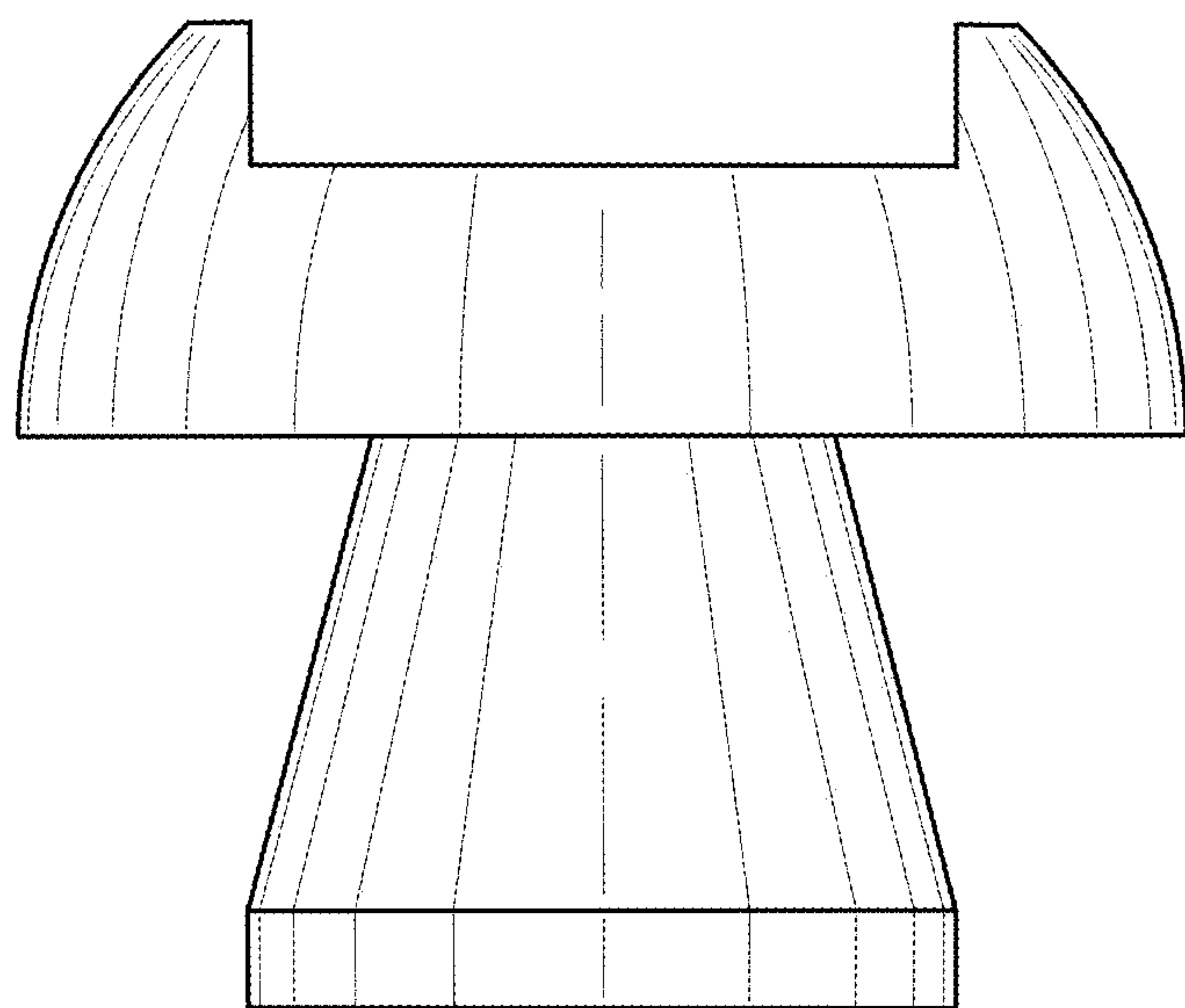


Fig. 2

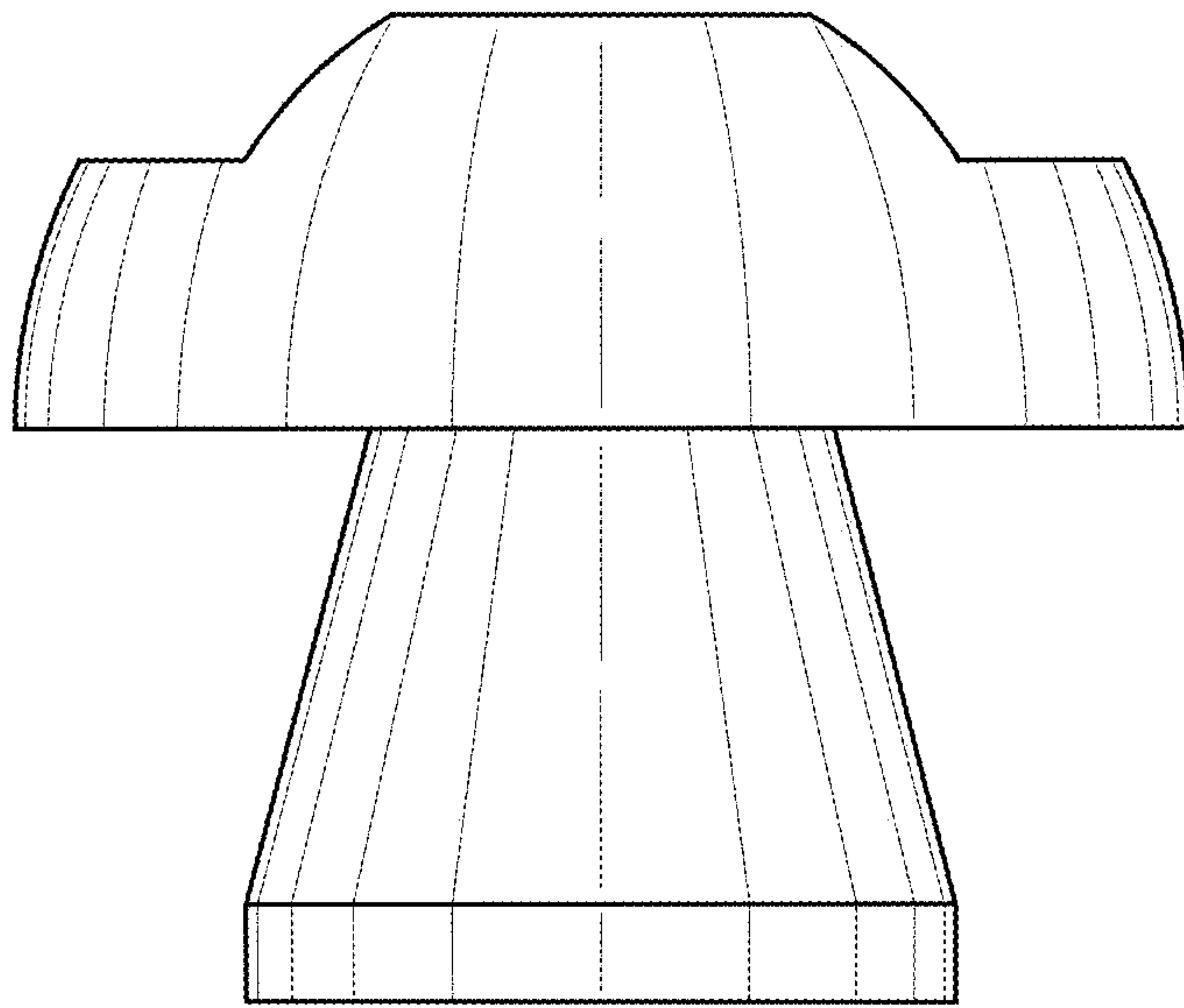


Fig. 3

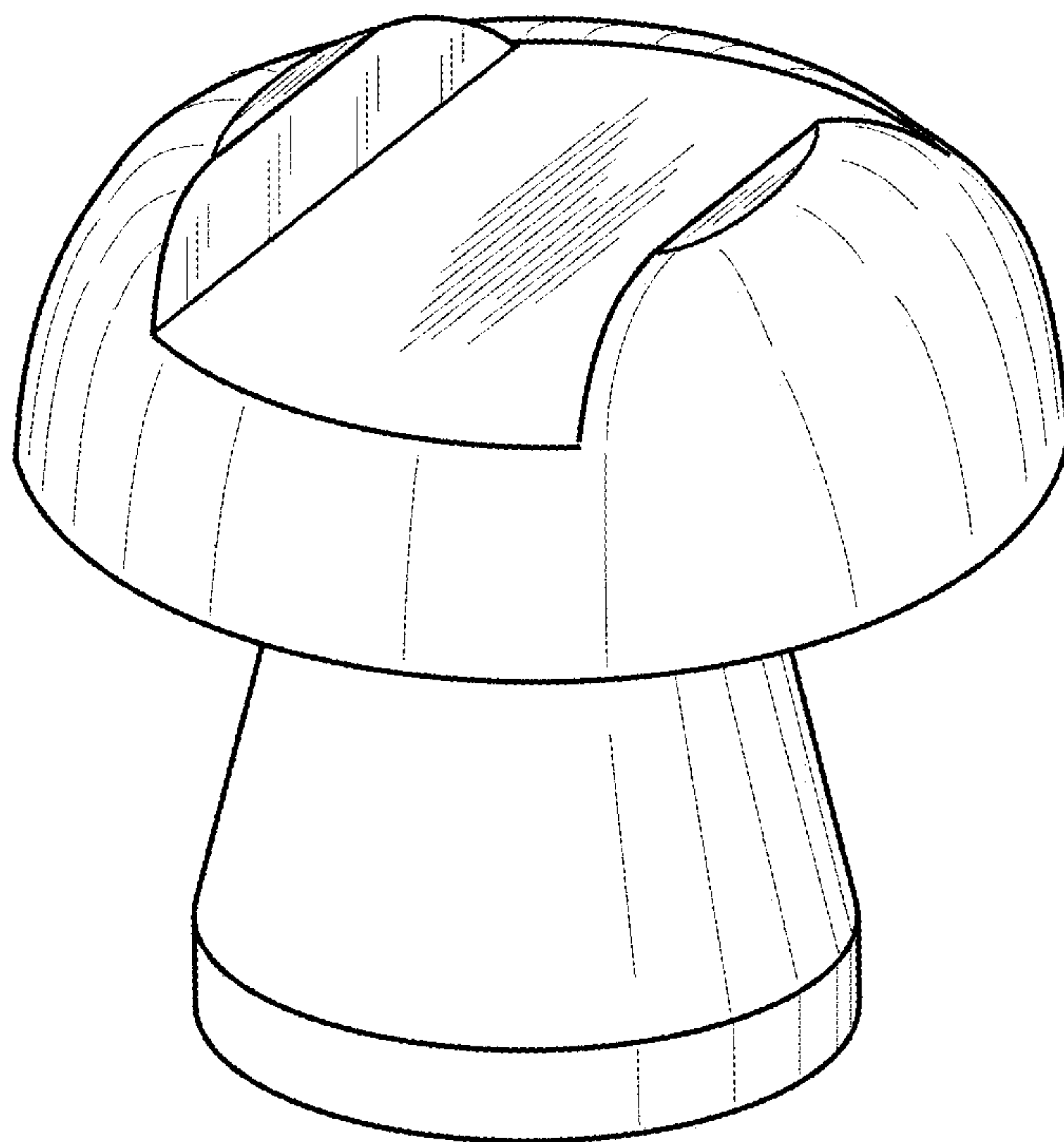


Fig. 4

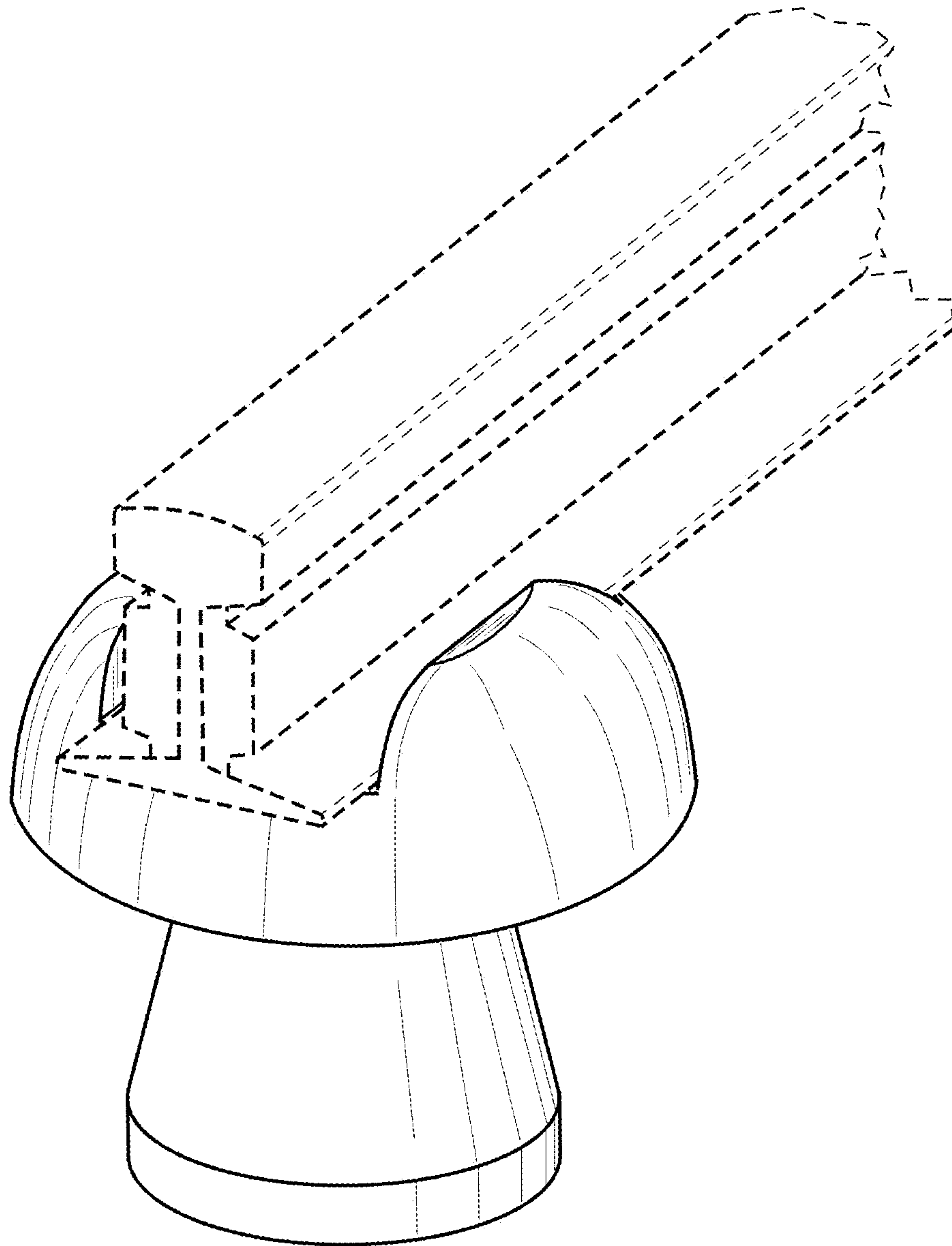


Fig. 5