



US00D897896S

(12) **United States Design Patent**  
**Fong**

(10) **Patent No.:** **US D897,896 S**

(45) **Date of Patent:** **\*\* Oct. 6, 2020**

(54) **DIRECT FIXATION FASTENER**  
(71) Applicant: **L. B. Foster Company**, Pittsburgh, PA (US)  
(72) Inventor: **Sheenfar S. Fong**, Pittsburgh, PA (US)  
(73) Assignee: **L. B. Foster Company**, Pittsburgh, PA (US)  
(\*\*) Term: **15 Years**

7,374,109 B2 \* 5/2008 Ellerhorst ..... E01B 9/685  
238/283  
9,004,372 B1 \* 4/2015 Alsop ..... E01B 9/62  
238/264  
D776,004 S \* 1/2017 Pisano ..... D12/51  
9,702,091 B2 \* 7/2017 Coats ..... E01B 9/40  
D794,506 S \* 8/2017 Young ..... D12/51  
D804,352 S \* 12/2017 Young ..... D12/51  
D804,991 S \* 12/2017 Young ..... D12/51  
D828,397 S \* 9/2018 Alsop ..... D15/5  
10,428,468 B2 \* 10/2019 Constantine ..... E01B 9/42  
10,619,311 B2 \* 4/2020 Becker ..... E01B 9/42  
(Continued)

(21) Appl. No.: **29/681,909**  
(22) Filed: **Feb. 28, 2019**  
(51) **LOC (12) Cl.** ..... **12-03**  
(52) **U.S. Cl.**  
USPC ..... **D12/51**  
(58) **Field of Classification Search**  
USPC ..... D15/5; D8/383, 384; D12/36-52;  
D11/200, 220  
CPC ..... E01B 9/38; E01B 9/40; E01B 9/44; E01B  
9/46; E01B 9/54; E01B 9/62; E01B  
9/483; E01B 9/486; E01B 9/681; E01B  
9/60  
See application file for complete search history.

**OTHER PUBLICATIONS**

Pandrol, Pandrol Bonded DFF ADH baseplate assembly, (Jan. 23, 2019), Video on Vimeo.com URL:<<https://vimeo.com/312984327>> (Year: 2019).\*  
(Continued)

*Primary Examiner* — Sheryl Lane  
*Assistant Examiner* — Mark T Philipps  
(74) *Attorney, Agent, or Firm* — Paul D. Bangor, Jr., Esquire; Clark Hill, PLC

(56) **References Cited**

**U.S. PATENT DOCUMENTS**

4,047,663 A \* 9/1977 Reynolds ..... E01B 9/483  
238/304  
4,060,197 A \* 11/1977 Qureshi ..... E01B 9/46  
238/338  
4,312,477 A \* 1/1982 Hixson ..... E01B 9/486  
238/304  
4,316,578 A \* 2/1982 Reynolds ..... E01B 9/483  
238/264  
4,561,589 A \* 12/1985 Hixson ..... E01B 9/66  
238/297  
4,572,431 A \* 2/1986 Arato ..... E01B 9/46  
238/20  
4,615,484 A \* 10/1986 Kusko ..... E01B 9/42  
238/264

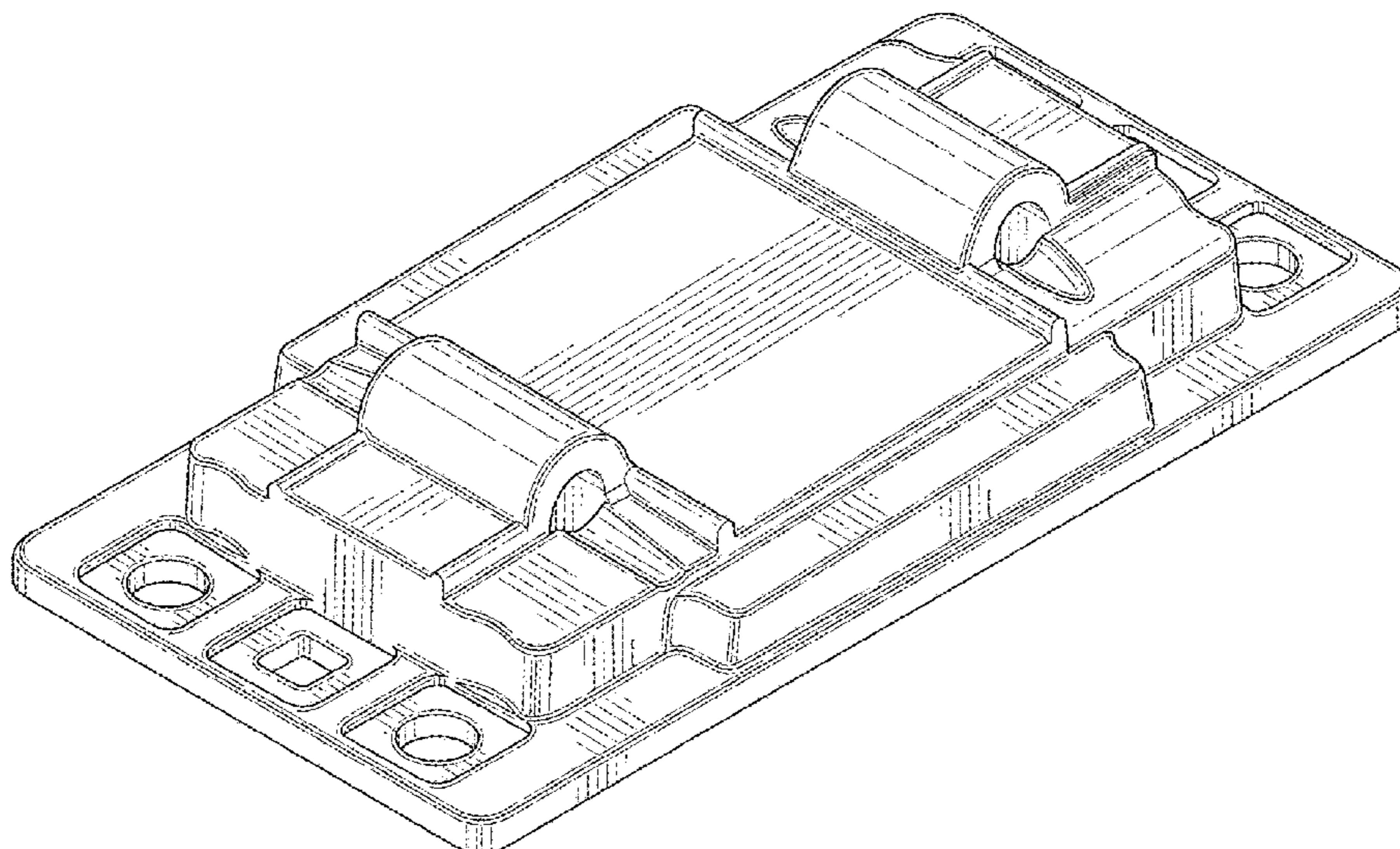
(57) **CLAIM**

The ornamental design for a direct fixation fastener, as shown and described.

**DESCRIPTION**

FIG. 1 is a top perspective view of the direct fixation fastener of the present design;  
FIG. 2 is a bottom perspective view thereof;  
FIG. 3 is a left elevation view thereof;  
FIG. 4 is a right elevation view thereof;  
FIG. 5 is a rear elevation view thereof;  
FIG. 6 is a front elevation view thereof;  
FIG. 7 is a top plan view thereof; and,  
FIG. 8 is a bottom plan view thereof.

**1 Claim, 6 Drawing Sheets**



(56)

**References Cited**

U.S. PATENT DOCUMENTS

2005/0045059	A1 *	3/2005	Osler .....	E01B 9/686 105/199.4
2008/0121731	A1 *	5/2008	Ollendick .....	E01B 9/02 238/29
2008/0121732	A1 *	5/2008	Yang .....	E01B 9/42 238/287
2009/0184172	A1 *	7/2009	Osler .....	E01B 9/62 238/283
2010/0224690	A1 *	9/2010	Igwenezie .....	E01B 9/483 238/304
2011/0068185	A1 *	3/2011	Bosterling .....	E01B 9/483 238/283
2015/0060561	A1 *	3/2015	Ciloglu .....	E01B 9/60 238/315
2016/0002864	A1 *	1/2016	Awi Abalo .....	E01B 9/42 238/297
2018/0016754	A1 *	1/2018	Alsop .....	E01B 9/38
2018/0023257	A1 *	1/2018	Constantine .....	E01B 9/483 238/304

OTHER PUBLICATIONS

Pandrol, Pandrol Bonded DFF ADH , (site visited May 1, 2020),  
Pandrol.com URL:<<https://www.pandrol.com/product/bonded-dff-adh/>> (Year: 2020).\*

\* cited by examiner



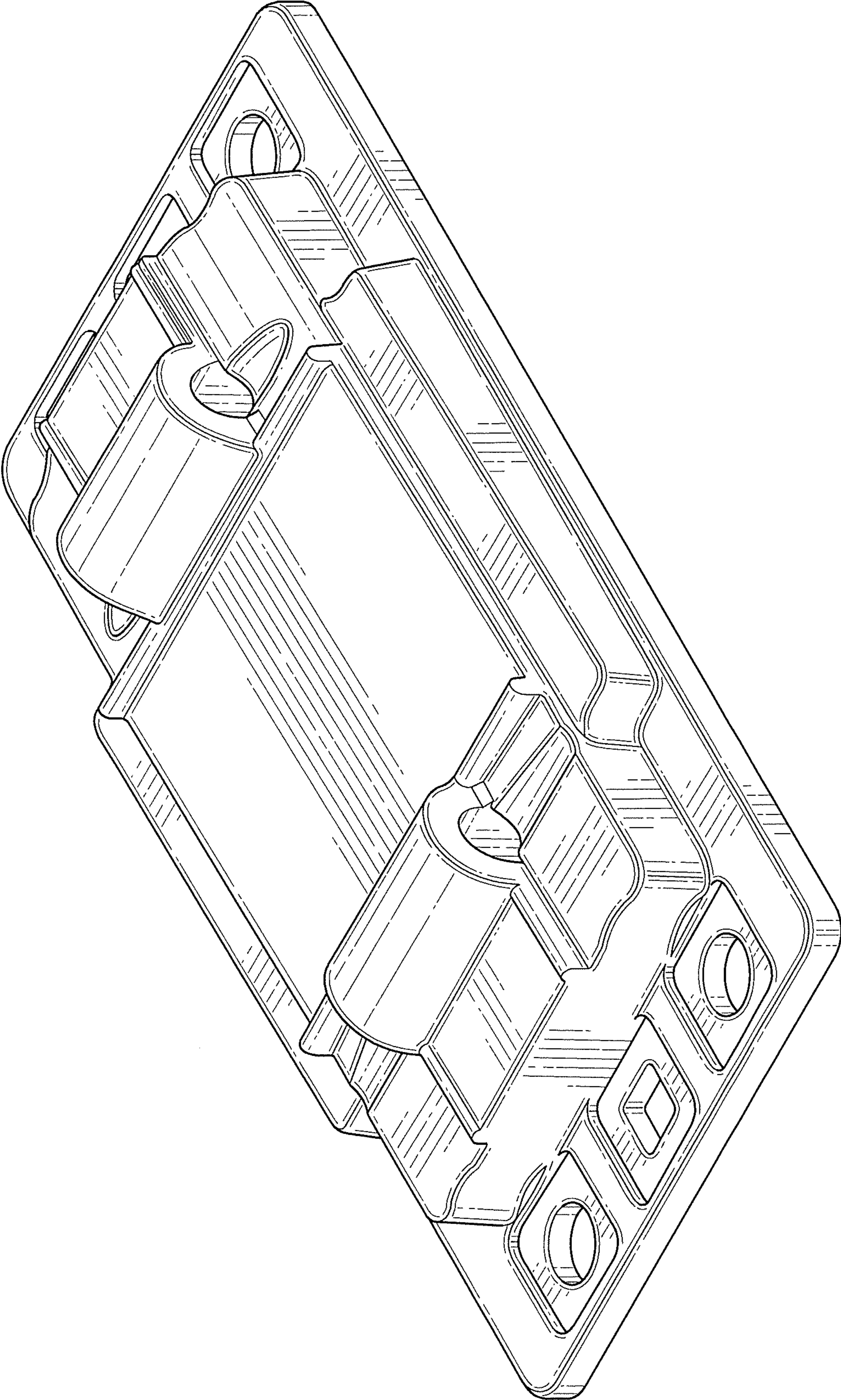


FIG. 1

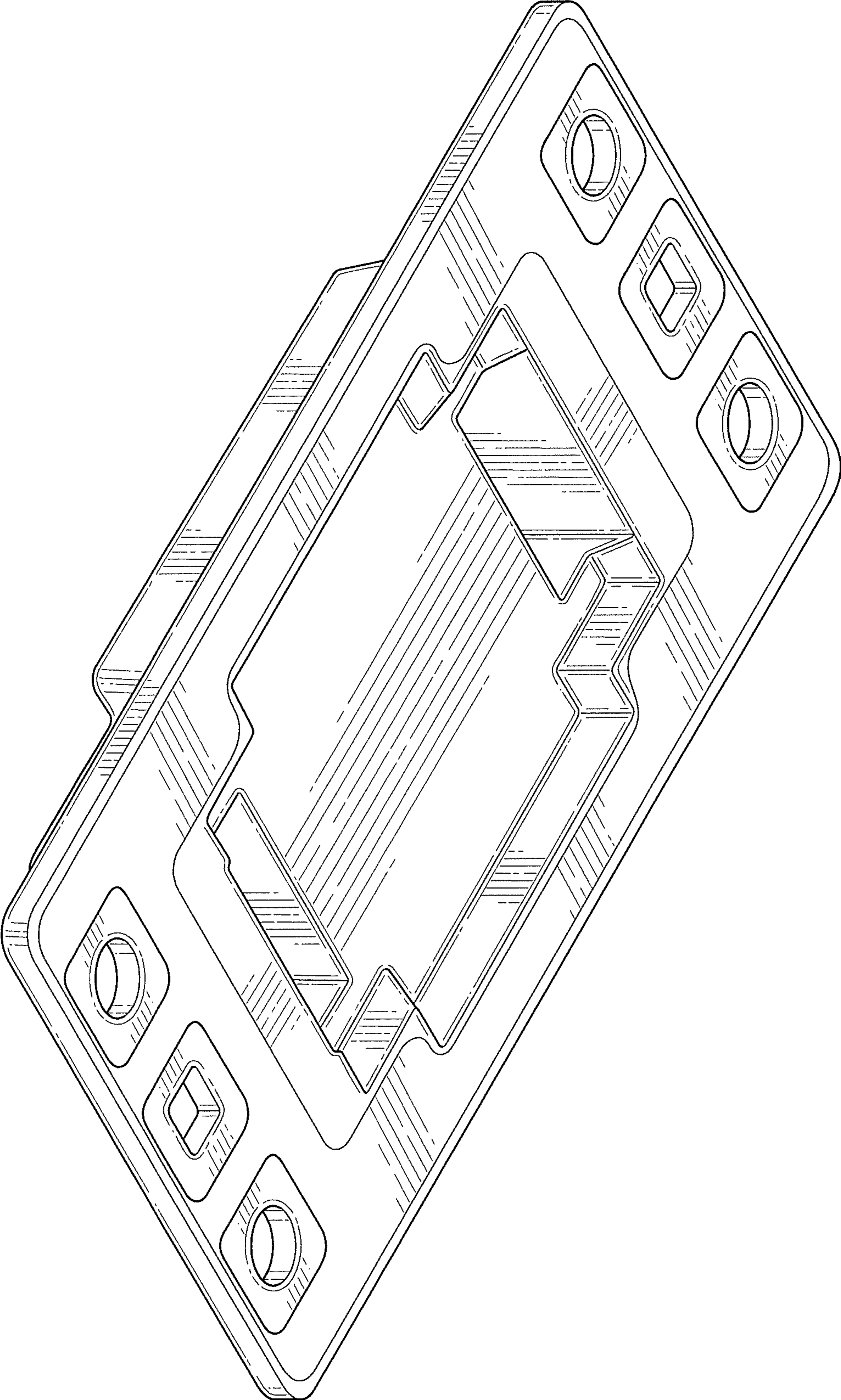


FIG. 2

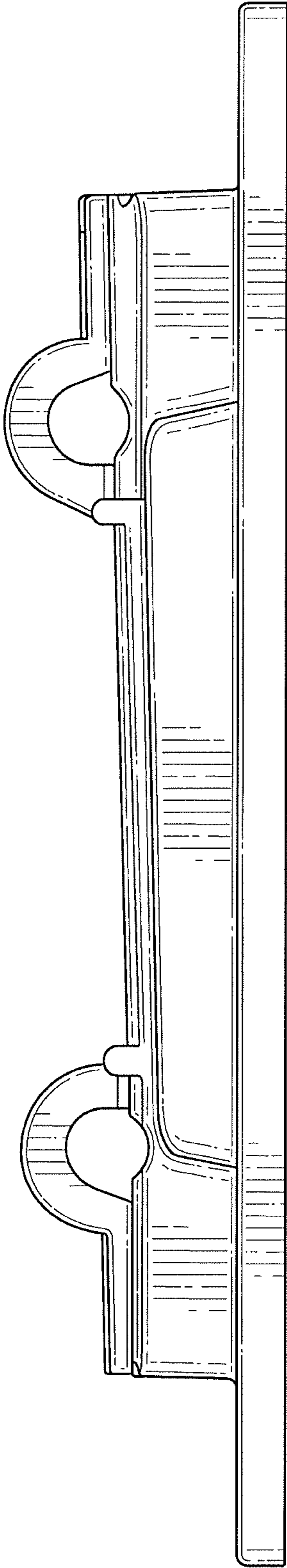


FIG. 3

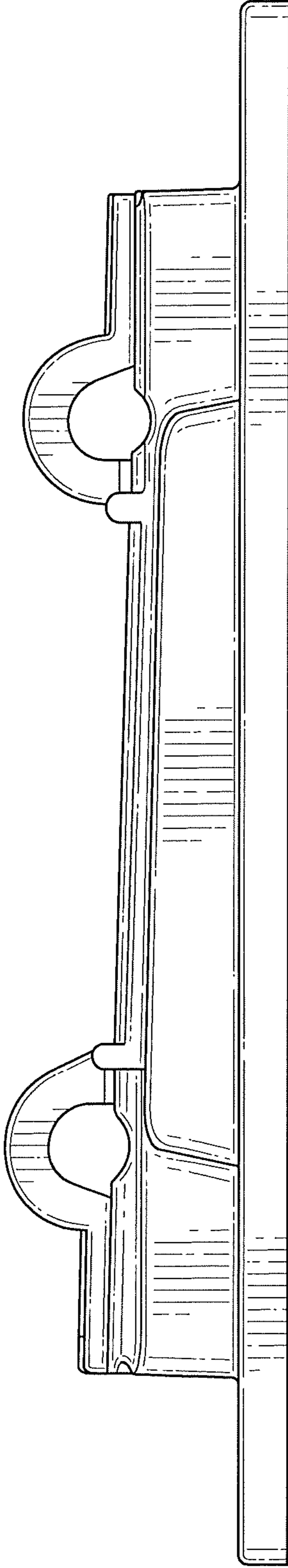


FIG. 4



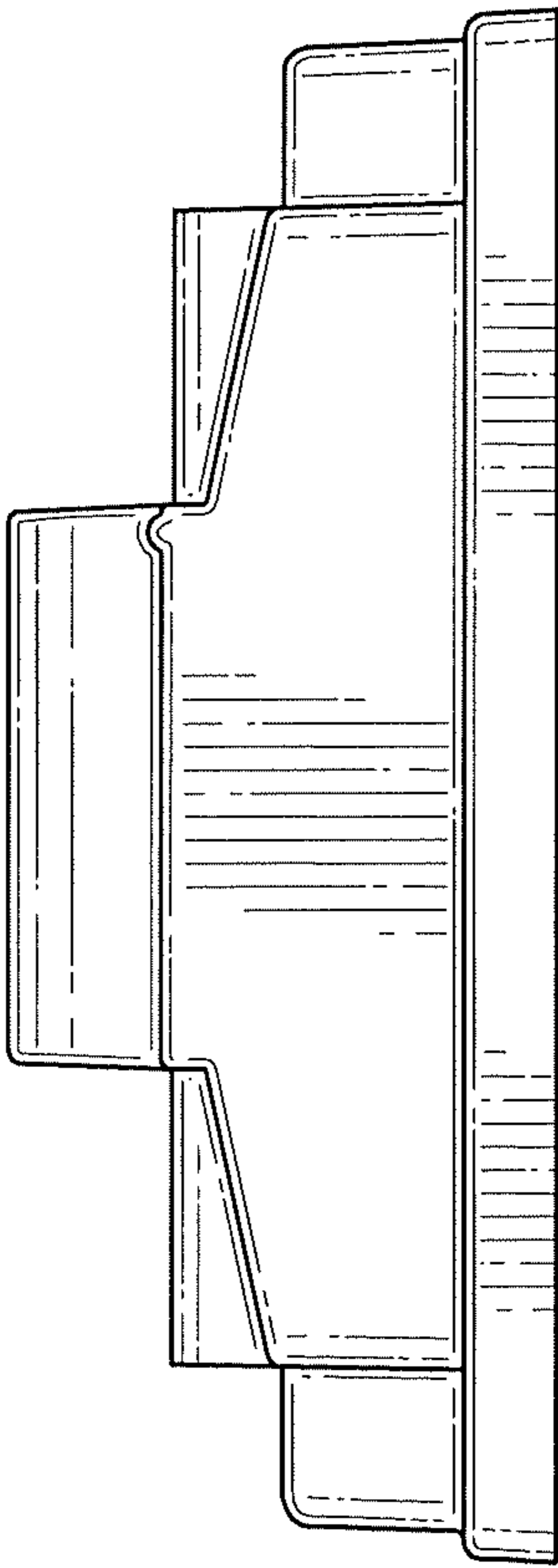


FIG. 5

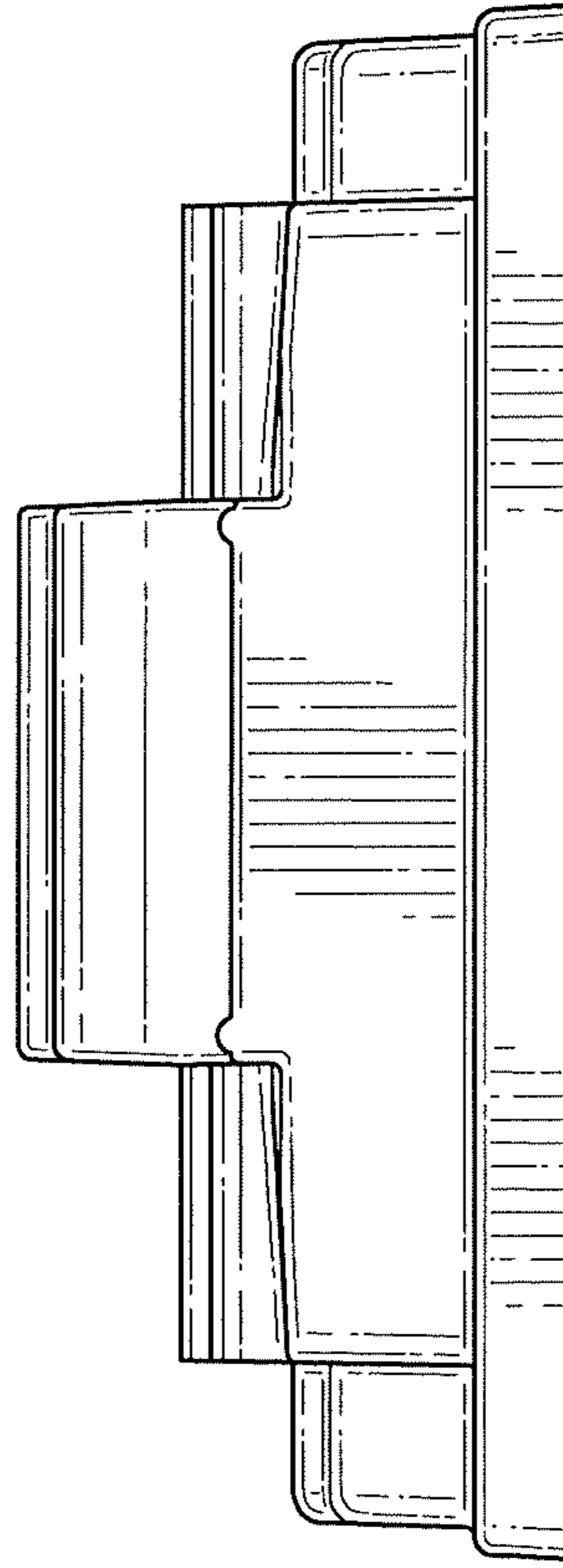


FIG. 6

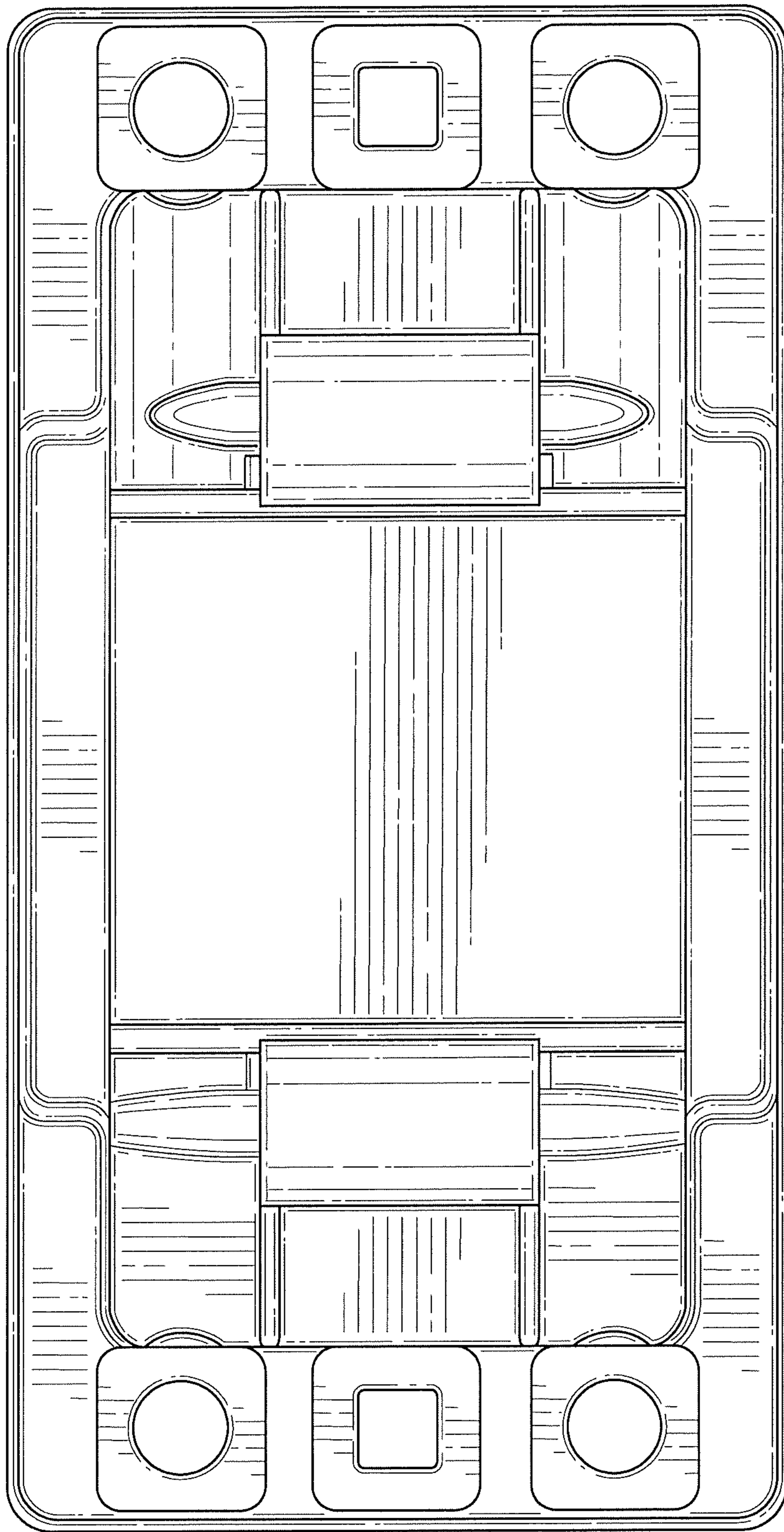


FIG. 7

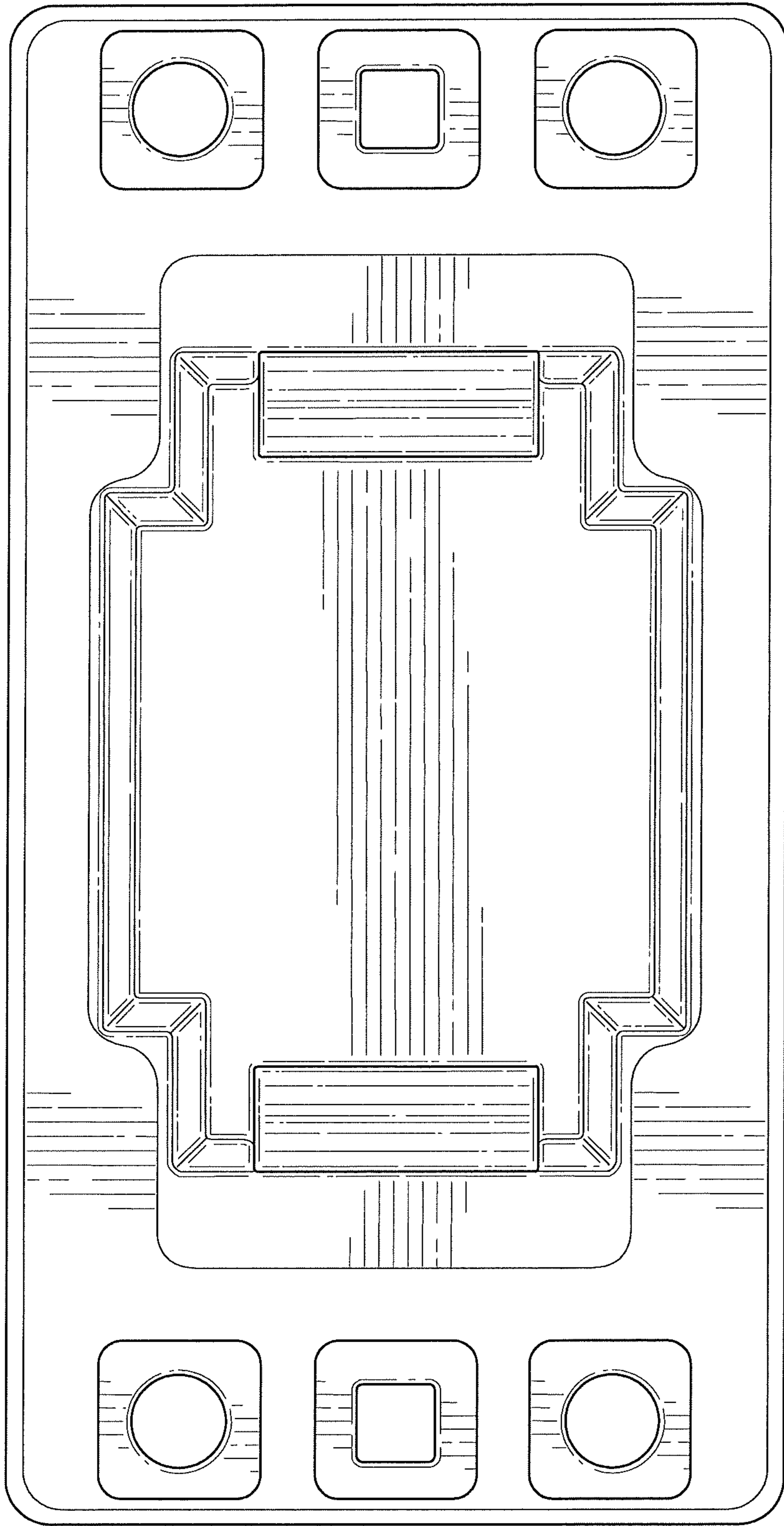


FIG. 8