



US00D897895S

(12) **United States Design Patent** (10) **Patent No.:** **US D897,895 S**
Zhang et al. (45) **Date of Patent:** **** Oct. 6, 2020**

(54) **TRACTOR**

(56) **References Cited**

(71) Applicant: **BYD COMPANY LIMITED**,
Shenzhen, Guangdong (CN)
(72) Inventors: **Ya Zhang**, Shenzhen (CN); **Shengli Li**,
Shenzhen (CN)
(73) Assignee: **BYD COMPANY LIMITED**,
Guangdong (CN)
(**) Term: **15 Years**
(21) Appl. No.: **29/640,265**
(22) Filed: **Mar. 13, 2018**
(30) **Foreign Application Priority Data**

U.S. PATENT DOCUMENTS

D176,040	S	*	11/1955	Schaffer et al.	D12/14
D279,660	S	*	7/1985	Martin, Jr.	D12/96
D299,322	S	*	1/1989	Page	D12/14
D311,505	S	*	10/1990	Reinhart	D12/14
D463,326	S	*	9/2002	Takeda	D12/14
D511,715	S	*	11/2005	Hohnl	D12/14
D621,423	S	*	8/2010	Nakanishi	D12/14
D703,699	S	*	4/2014	Shimomura	D15/23
8,701,812	B2	*	4/2014	Uno	B60L 50/50 180/89.1
D711,778	S	*	8/2014	Chun	D12/14
D724,997	S	*	3/2015	Brew	D12/14
D764,972	S	*	8/2016	Gonzalez	D12/14
D783,059	S	*	4/2017	Okuyama	D15/23
D785,050	S	*	4/2017	Okuyama	D15/23
D801,855	S	*	11/2017	Wen	D12/14

* cited by examiner

Primary Examiner — Mark A Goodwin

(74) *Attorney, Agent, or Firm* — Calfee Halter &
Griswold LLP

Sep. 14, 2017 (CN) 2017 3 0434532
(51) **LOC (12) Cl.** **12-13**
(52) **U.S. Cl.**
USPC **D12/14**
(58) **Field of Classification Search**
USPC D12/1, 12-15, 82, 86, 96, 99; D15/10,
D15/14, 15, 22-26, 33; 56/12.7, 15.8,
56/16.7, 13.3, 10.1, 202, 320.1; 180/69.2,
180/89.1, 89.12, 900, 311, 234, 233, 908,
180/211, 19.2, 215, 65.1; 280/87.07,
280/DIG. 5; 414/460
CPC A01B 51/026; B62D 49/02; B62D 49/00;
B62D 49/007; B62D 33/06; B62D
33/0604; B62D 33/0617; B62D 33/00;
B62D 25/10; B62D 53/021; B62D
53/025; B62D 53/00; B62D 53/02; B62D
35/00; B62D 39/00; B62D 47/00; B62D
47/003; B62D 63/02; B60K 15/063;
B60K 15/073; B60K 2015/0637
See application file for complete search history.

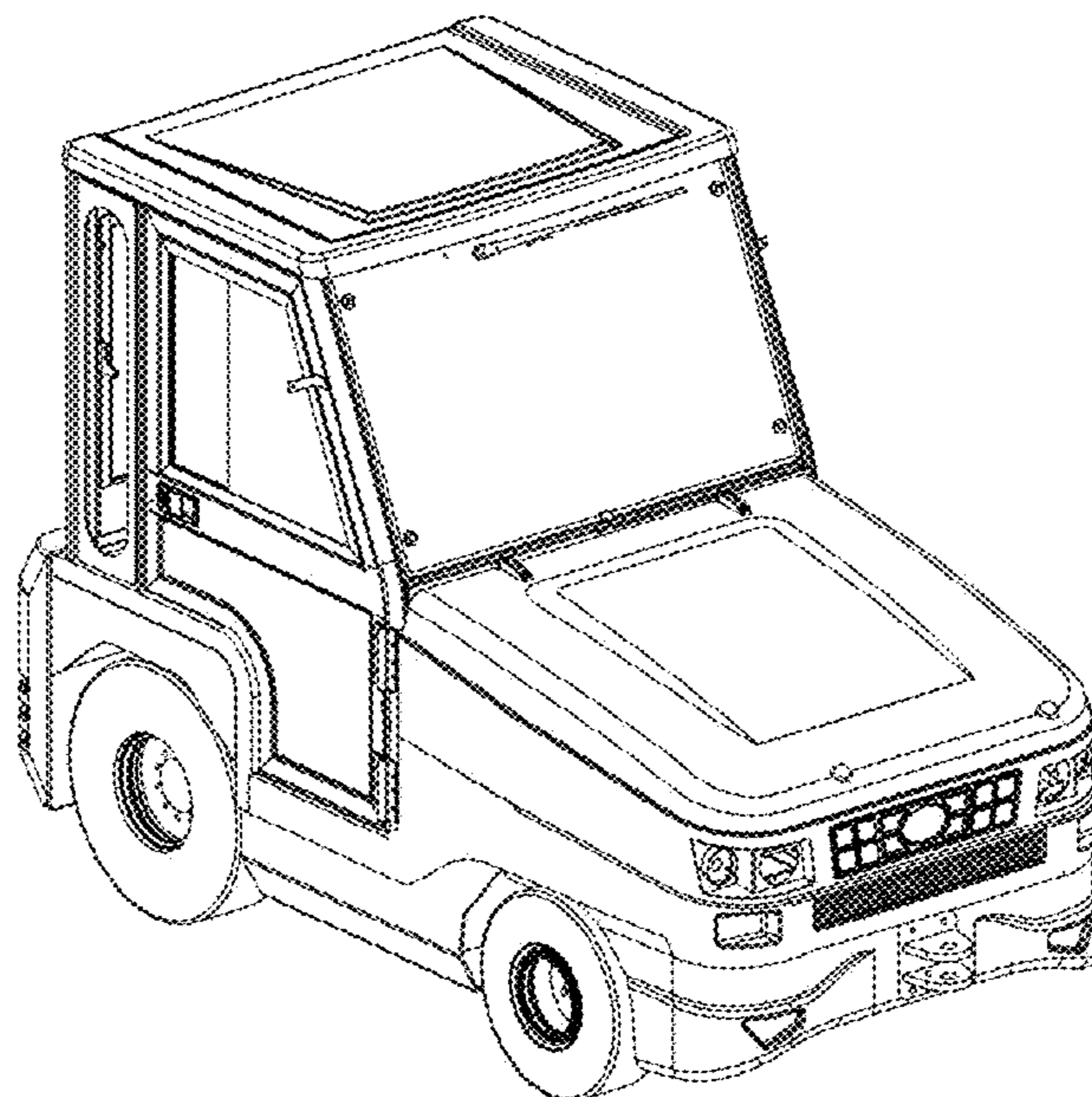
(57) **CLAIM**

We claim the ornamental design for a tractor, as shown and described.

DESCRIPTION

FIG. 1 is a line drawing of a front elevational view of a tractor of the present design;
FIG. 2 is a rear elevational view thereof;
FIG. 3 is a right side elevational view thereof;
FIG. 4 is a left side elevational view thereof;
FIG. 5 is a top plan view thereof;
FIG. 6 is a top/front/left perspective view thereof; and,
FIG. 7 is a top/rear/left perspective view thereof.
The bottom view forms no part of the claimed design.

1 Claim, 7 Drawing Sheets



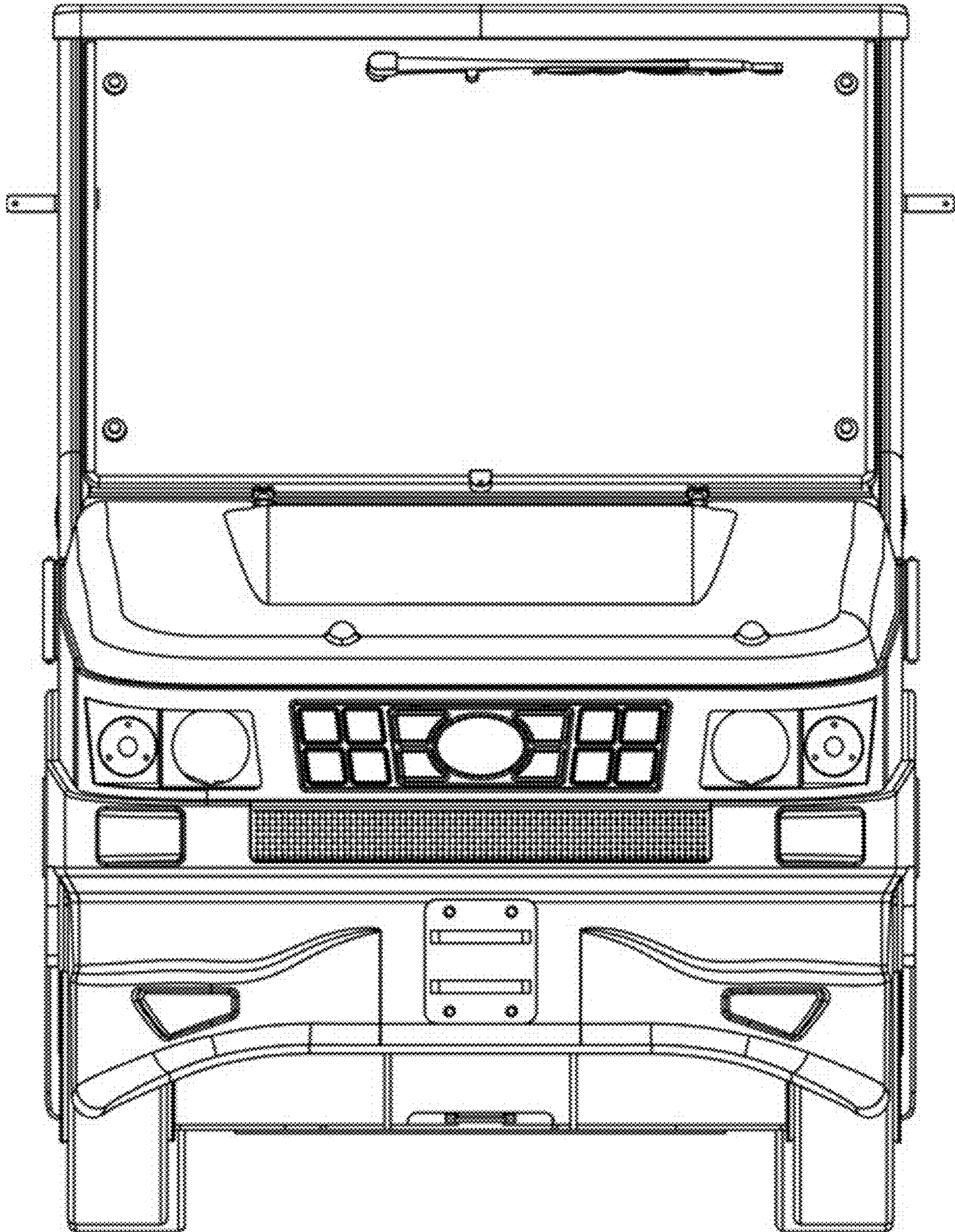


FIG. 1

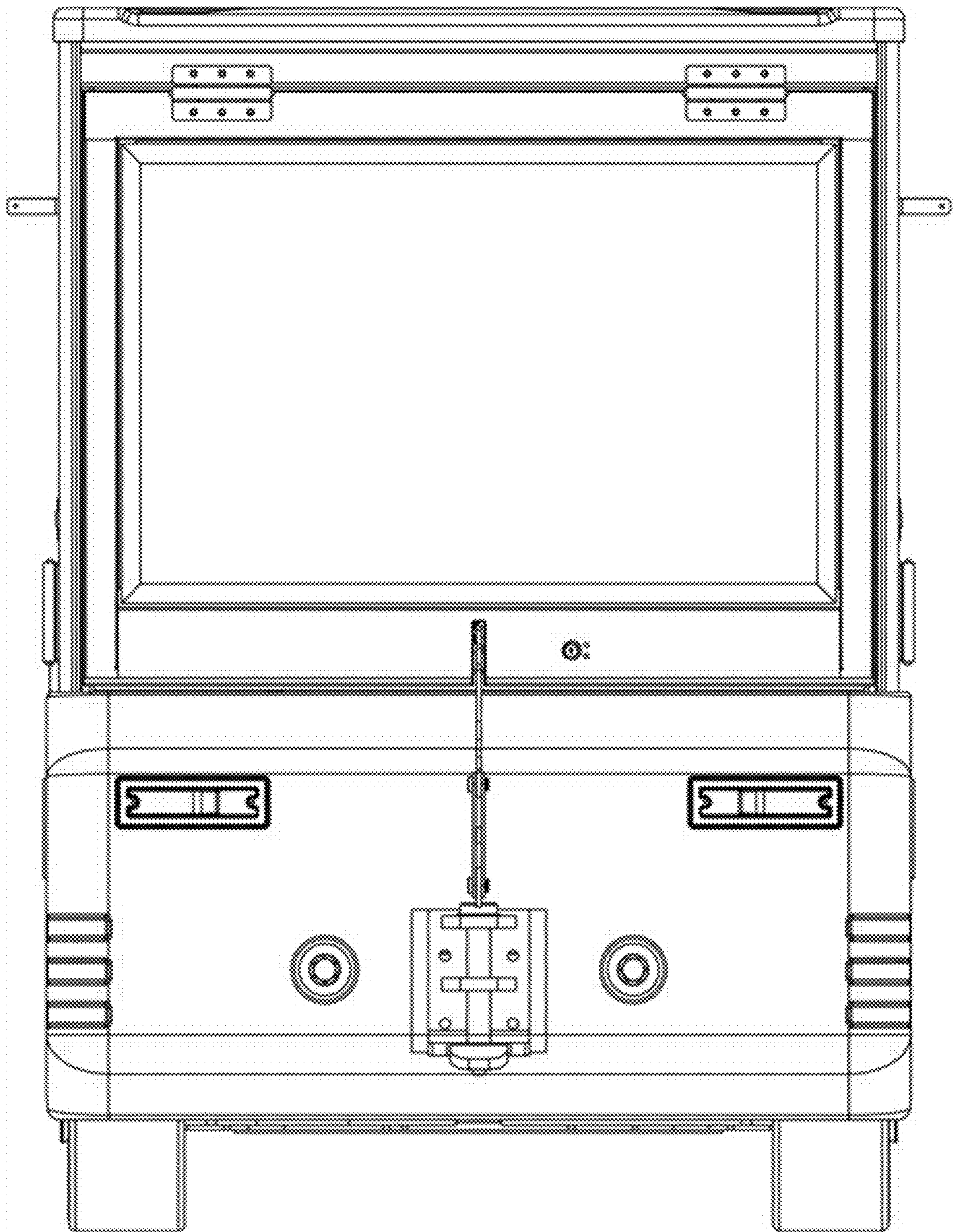


FIG. 2

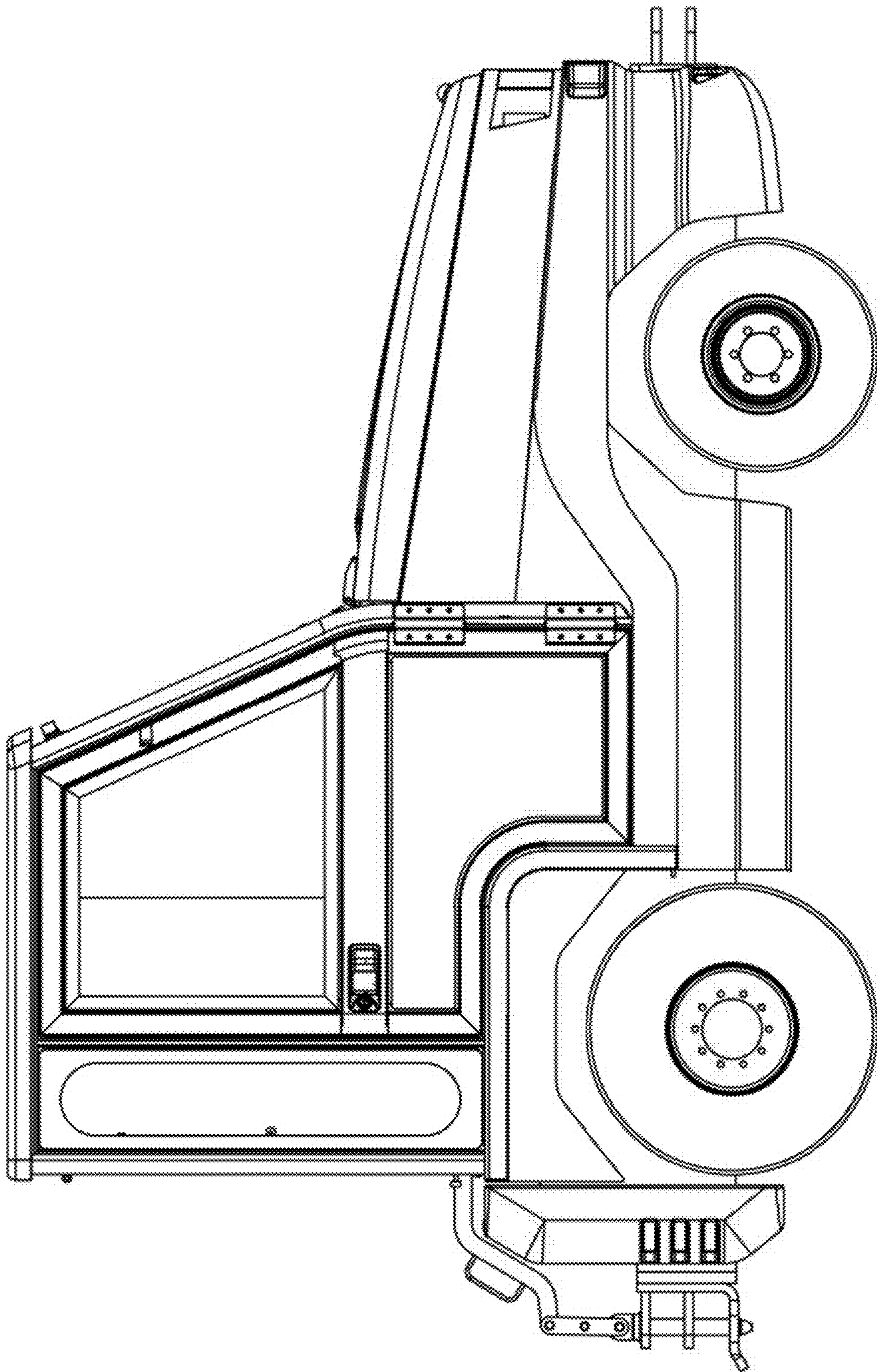


FIG. 3

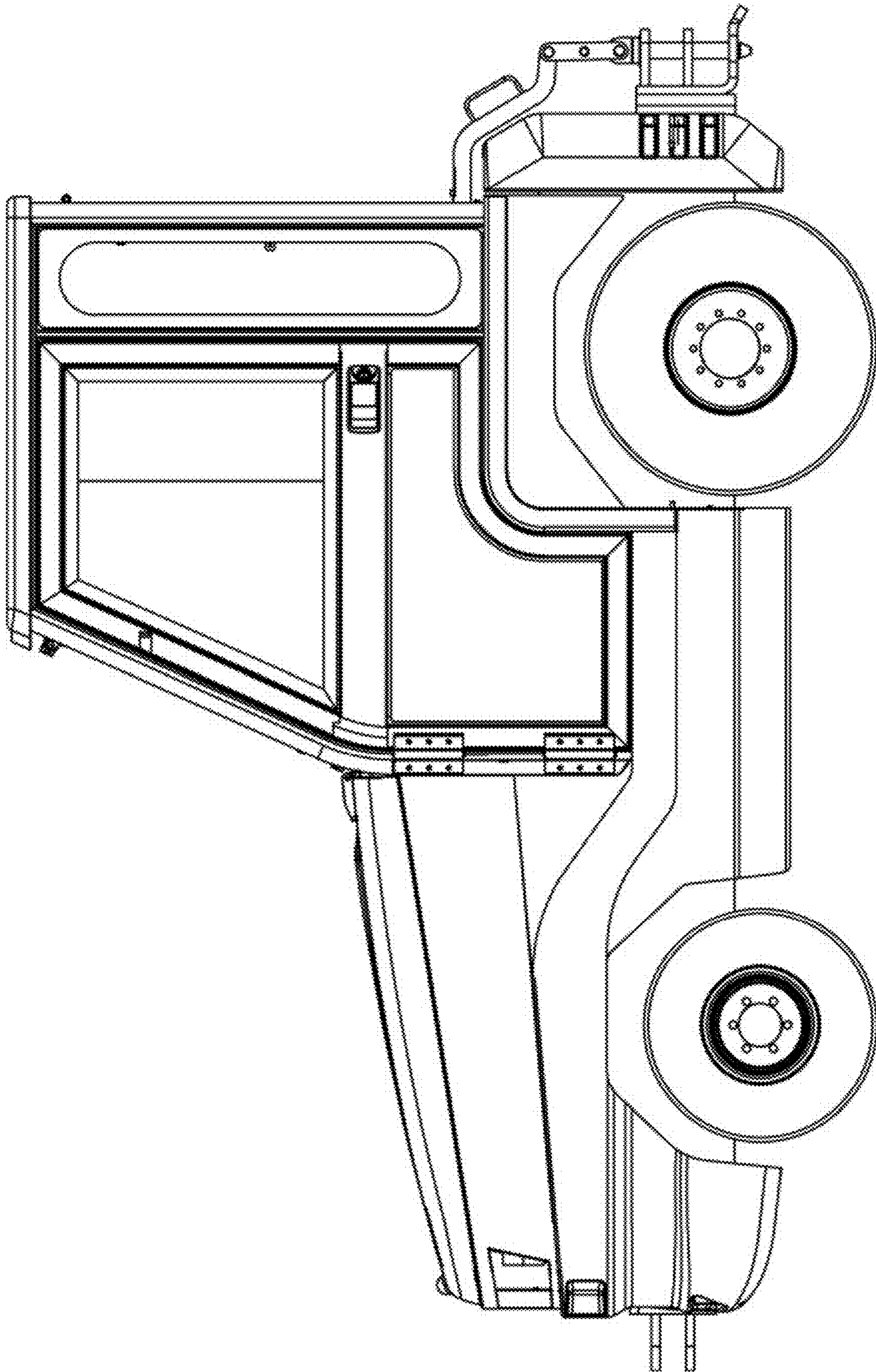


FIG. 4

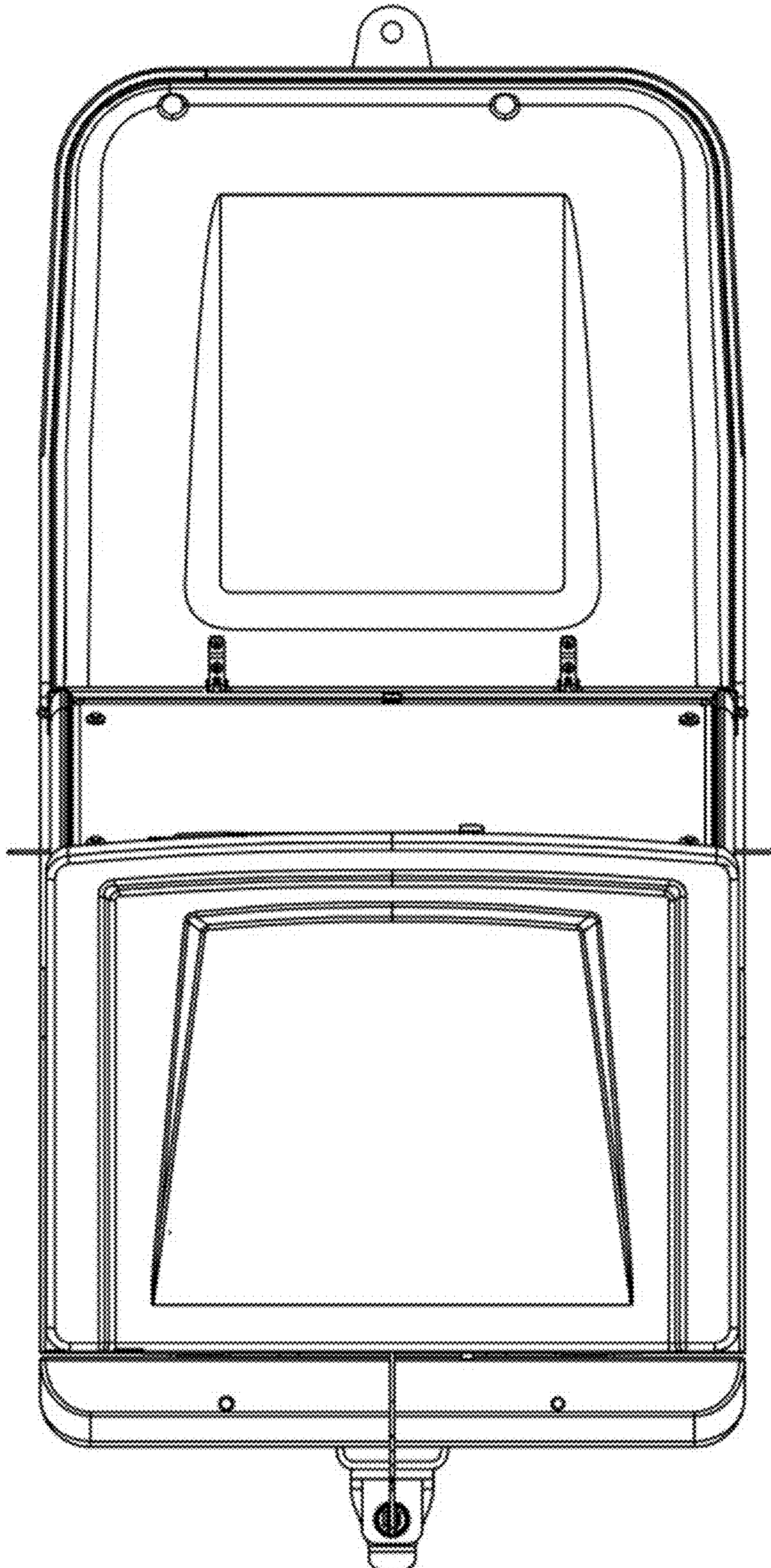


FIG. 5

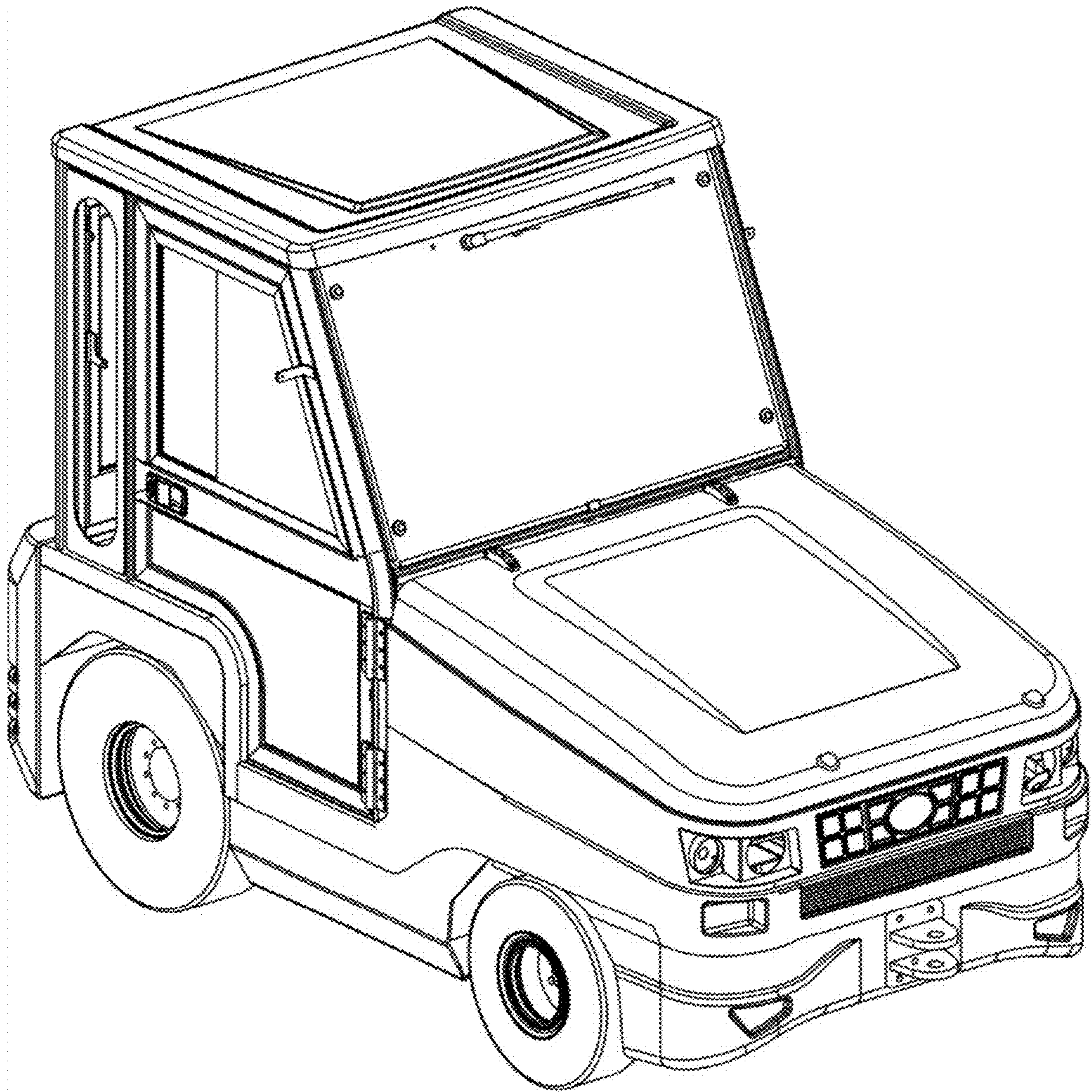


FIG. 6

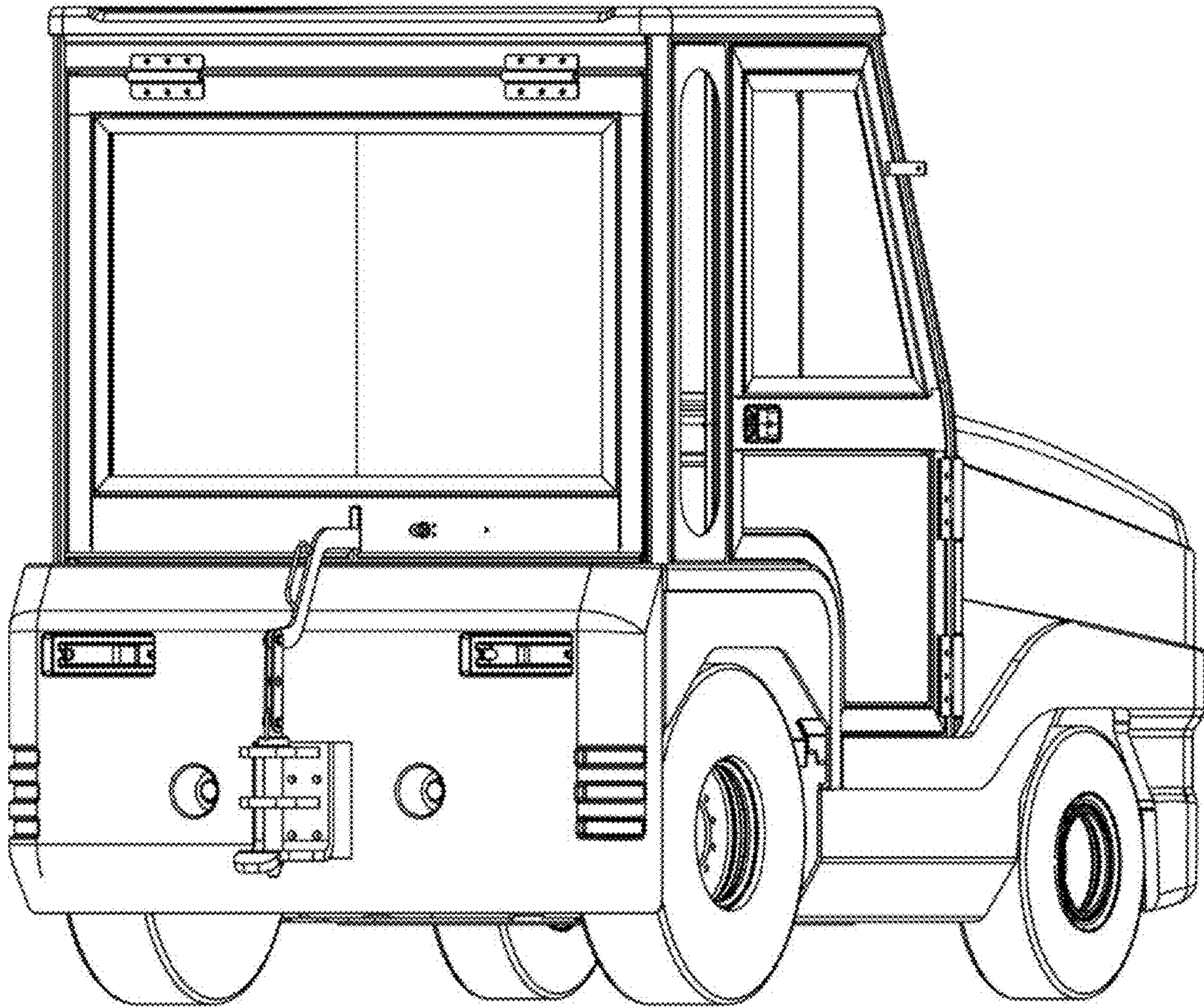


FIG. 7