



US00D897893S

(12) **United States Design Patent**  
**Ragnvid**

(10) **Patent No.:** **US D897,893 S**

(45) **Date of Patent:** **\*\* Oct. 6, 2020**

(54) **PLANT TRAY**

(71) Applicant: **Björkemar Construction & Consulting BCC AB**, Landskrona (SE)

(72) Inventor: **Tobias Ragnvid**, Strövelstorp (SE)

(73) Assignee: **Björkemar Construction & Consulting BCC AB**, Landskrona (SE)

(\*\*) Term: **15 Years**

(21) Appl. No.: **29/690,593**

(22) Filed: **May 9, 2019**

(30) **Foreign Application Priority Data**

Dec. 3, 2018 (EM) ..... 005841186-0001

(51) **LOC (12) Cl.** ..... **11-02**

(52) **U.S. Cl.**  
USPC ..... **D11/155**

(58) **Field of Classification Search**  
USPC ..... D11/143-156, 164; D3/304, 313, 314;  
D6/403, 404, 405, 556, 557, 558;  
D7/316, 598; D9/428, 432, 456; D99/5,  
D99/19

CPC . A01G 5/04; A01G 9/02; A01G 9/021; A01G  
9/022; A01G 9/026; A01G 9/027; A01G  
9/029; A01G 9/033; A47G 7/00; A47G  
7/02; A47G 7/04; A47G 7/041; A47G  
7/044; A47G 7/047; A47G 7/06; A47G  
7/063; A47G 7/08

See application file for complete search history.

(56) **References Cited**

**U.S. PATENT DOCUMENTS**

D275,467 S \* 9/1984 Massonnet ..... D11/155  
D277,837 S \* 3/1985 Turunen ..... D11/155  
D322,048 S \* 12/1991 Saarinen ..... D11/155

D324,834 S \* 3/1992 Saarinen ..... D11/155  
D325,714 S \* 4/1992 Karhiniemi ..... D11/155  
D401,530 S \* 11/1998 Keskilohko ..... D11/155  
6,199,334 B1 \* 3/2001 Malloy ..... E04F 13/04  
428/116  
D495,621 S \* 9/2004 Sikina ..... D11/155  
D540,711 S \* 4/2007 Howard ..... D11/155  
D592,996 S \* 5/2009 Howard ..... D11/155  
D616,267 S \* 5/2010 Kulzer ..... D7/701  
D726,071 S \* 4/2015 Aoyama ..... D11/155  
9,049,928 B2 \* 6/2015 Lesbirel ..... B65B 21/04  
D749,323 S \* 2/2016 Stahl ..... D3/308  
9,809,366 B2 \* 11/2017 Prince ..... B65B 5/068  
D820,722 S \* 6/2018 Shaffer ..... D11/155  
D842,128 S \* 3/2019 Giordano ..... D9/758  
D873,171 S \* 1/2020 Van Rooijen ..... D11/155  
2014/0197064 A1 \* 7/2014 Prince ..... B65D 71/70  
206/501  
2016/0270303 A1 \* 9/2016 Cooley ..... A01G 9/0295

\* cited by examiner

*Primary Examiner* — Elizabeth A. Albert

(74) *Attorney, Agent, or Firm* — Capitol City TechLaw

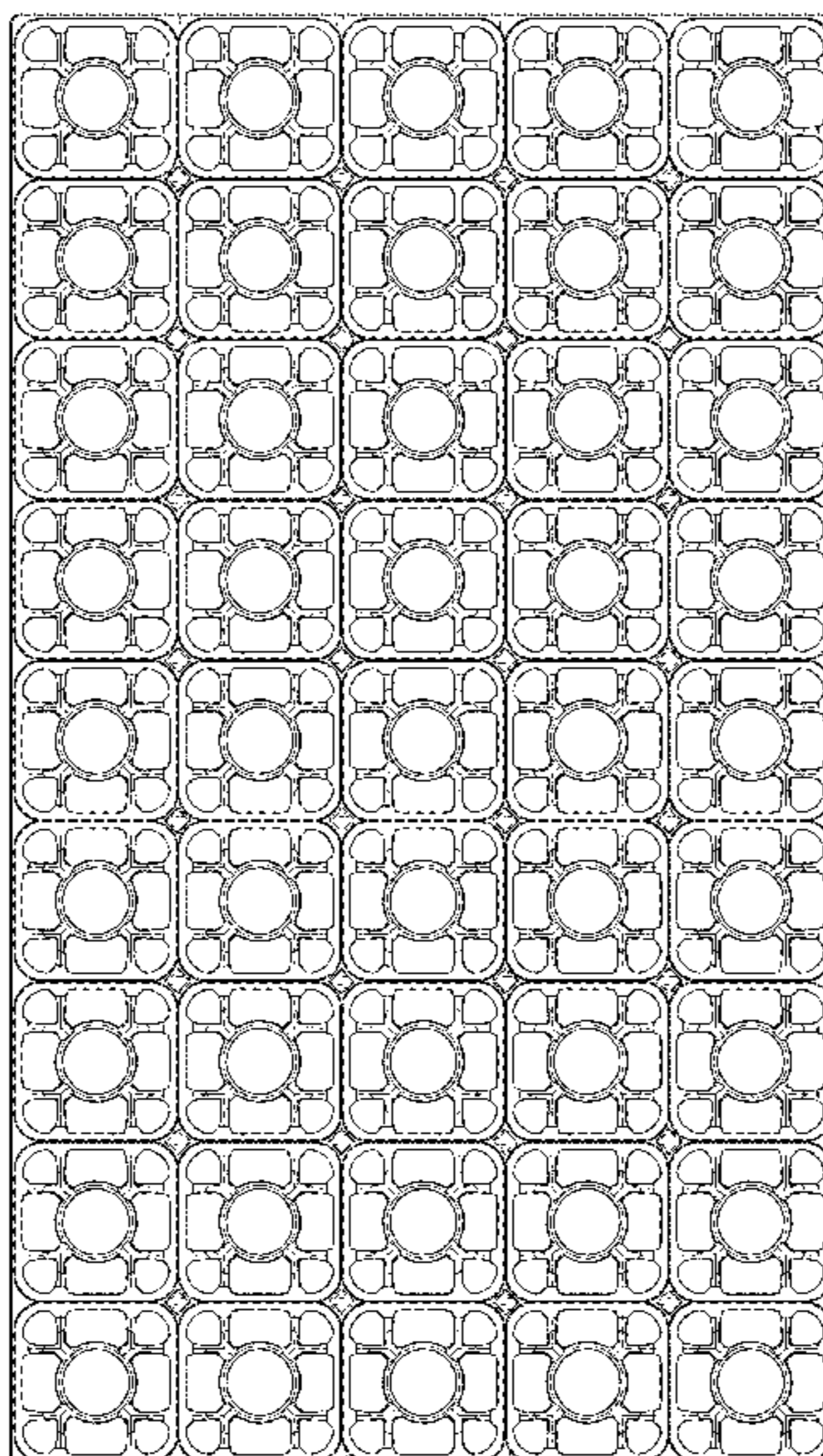
(57) **CLAIM**

The ornamental design for a plant tray, as shown and described.

**DESCRIPTION**

FIG. 1 is a top view of a plant tray showing my new design;  
FIG. 2 bottom view thereof;  
FIG. 3 is a right side view thereof, the left side view being  
a mirror image thereof;  
FIG. 4 is a front view thereof, the rear view being a mirror  
image thereof;  
FIG. 5 is a front, top, and right side perspective view thereof;  
FIG. 6 is a front, bottom, and right side perspective view  
thereof; and,  
FIG. 7 is an enlarged front, bottom, and right side perspec-  
tive view of a portion thereof.

**1 Claim, 6 Drawing Sheets**



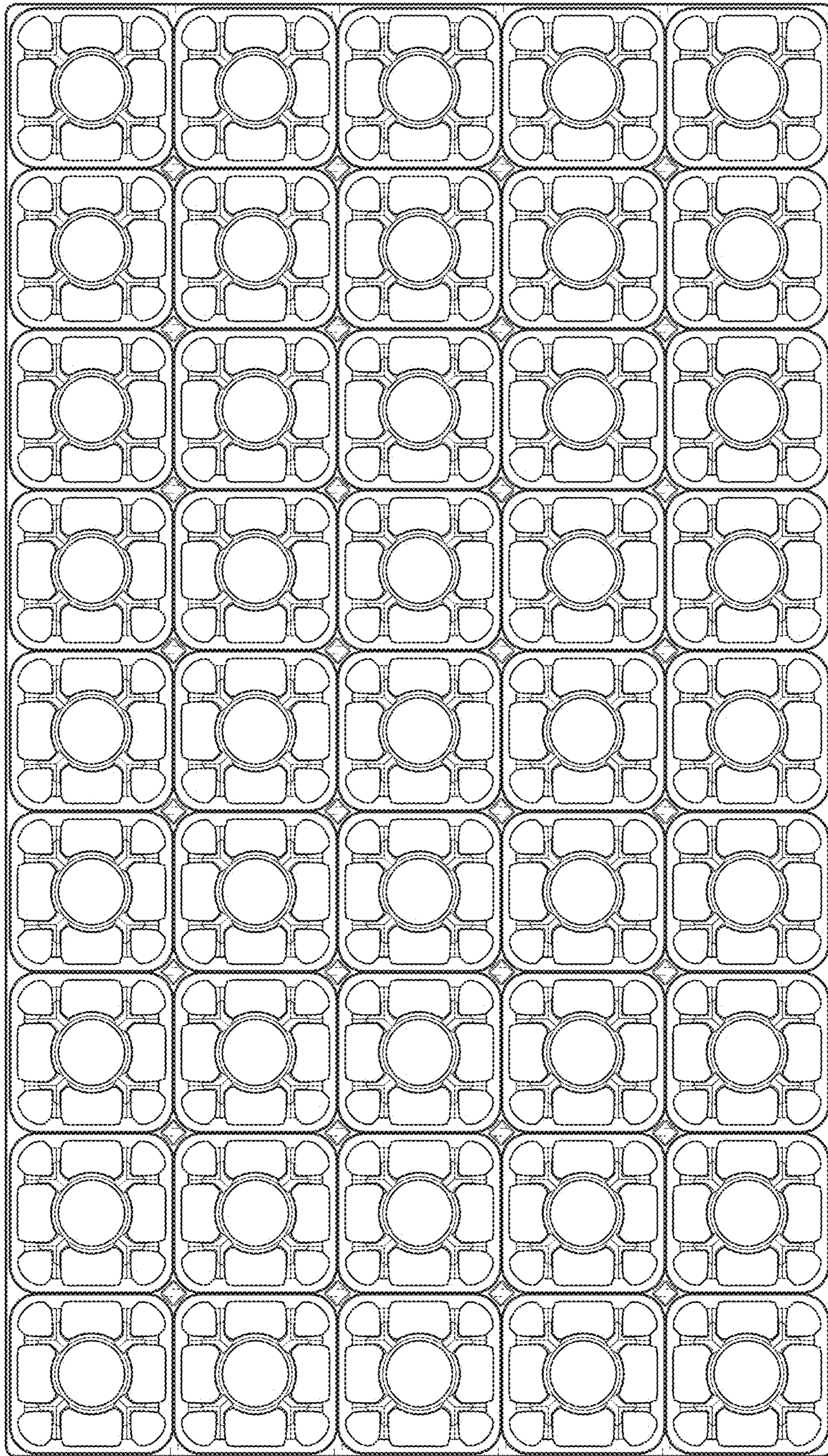


FIG. 1

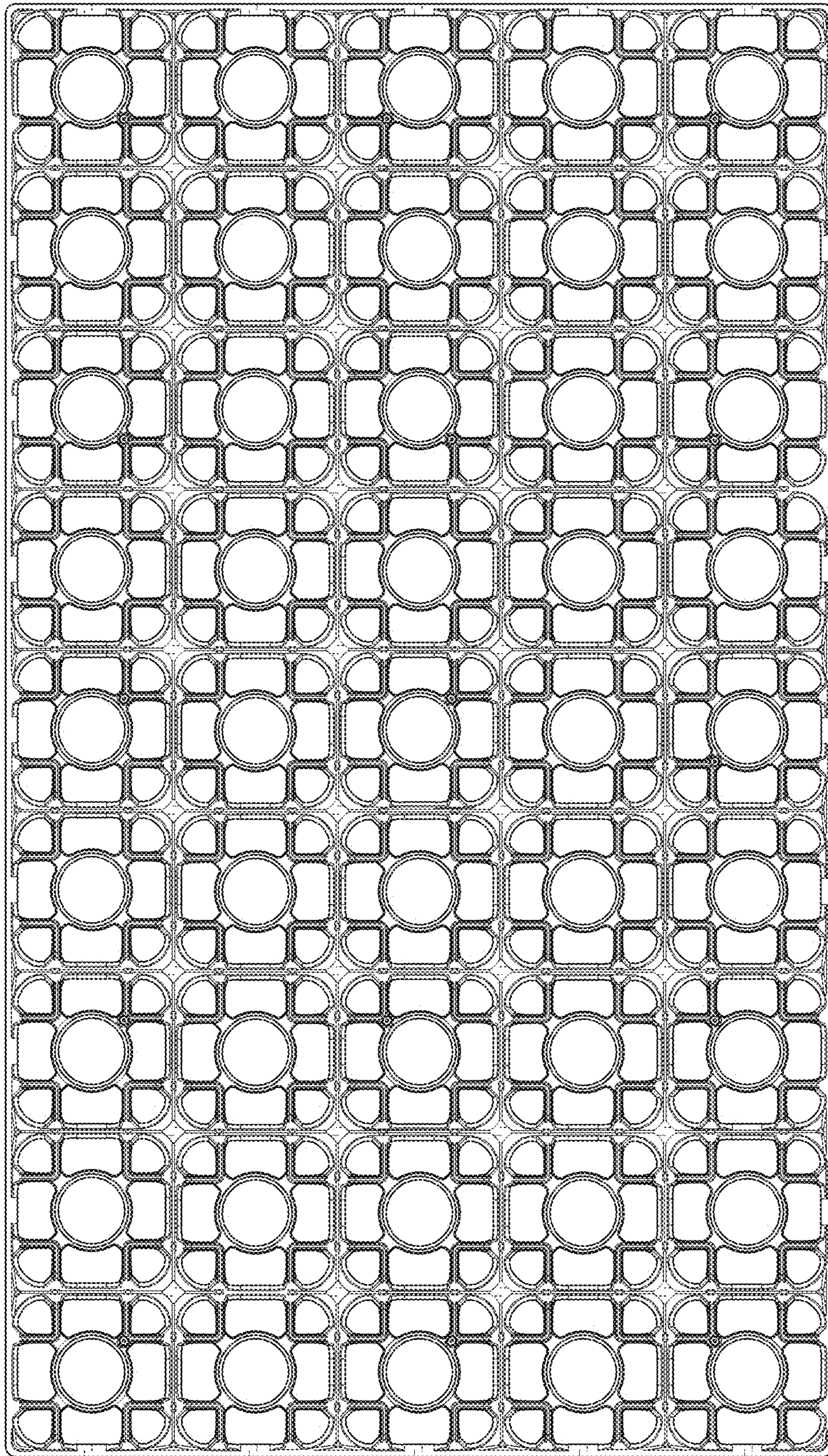


FIG. 2

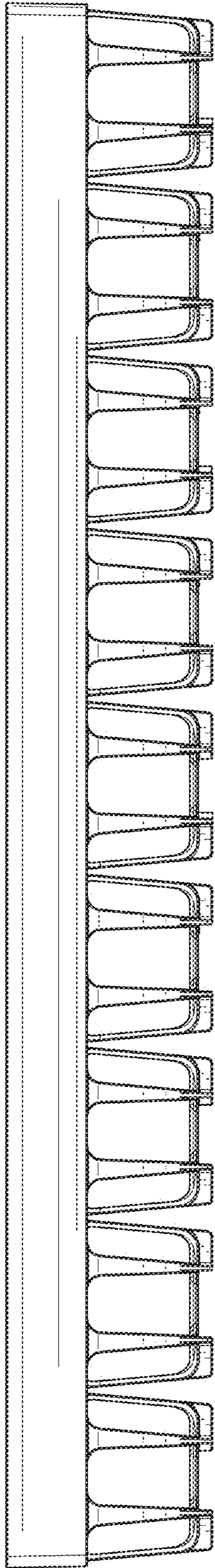


FIG. 3

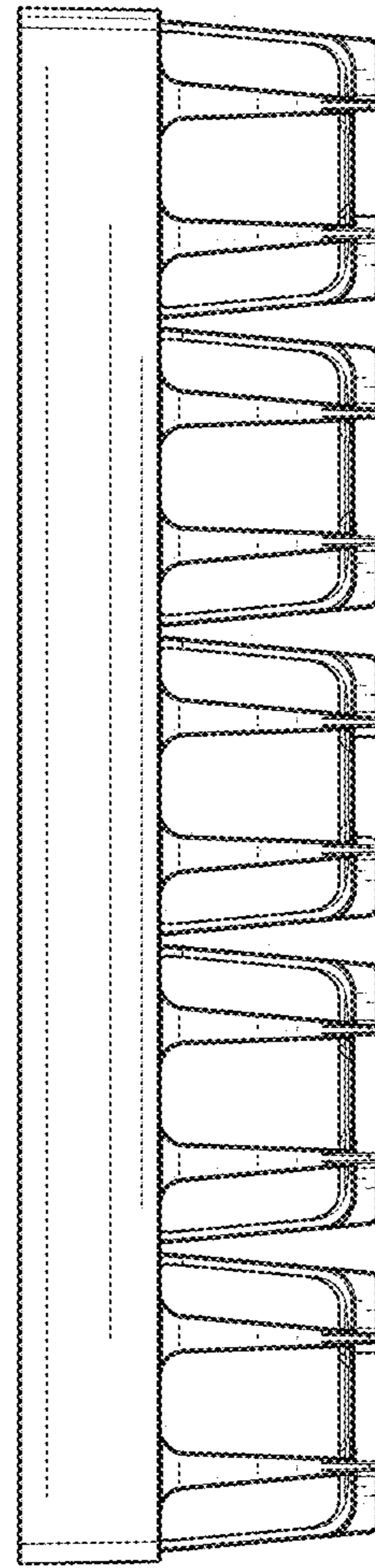


FIG. 4

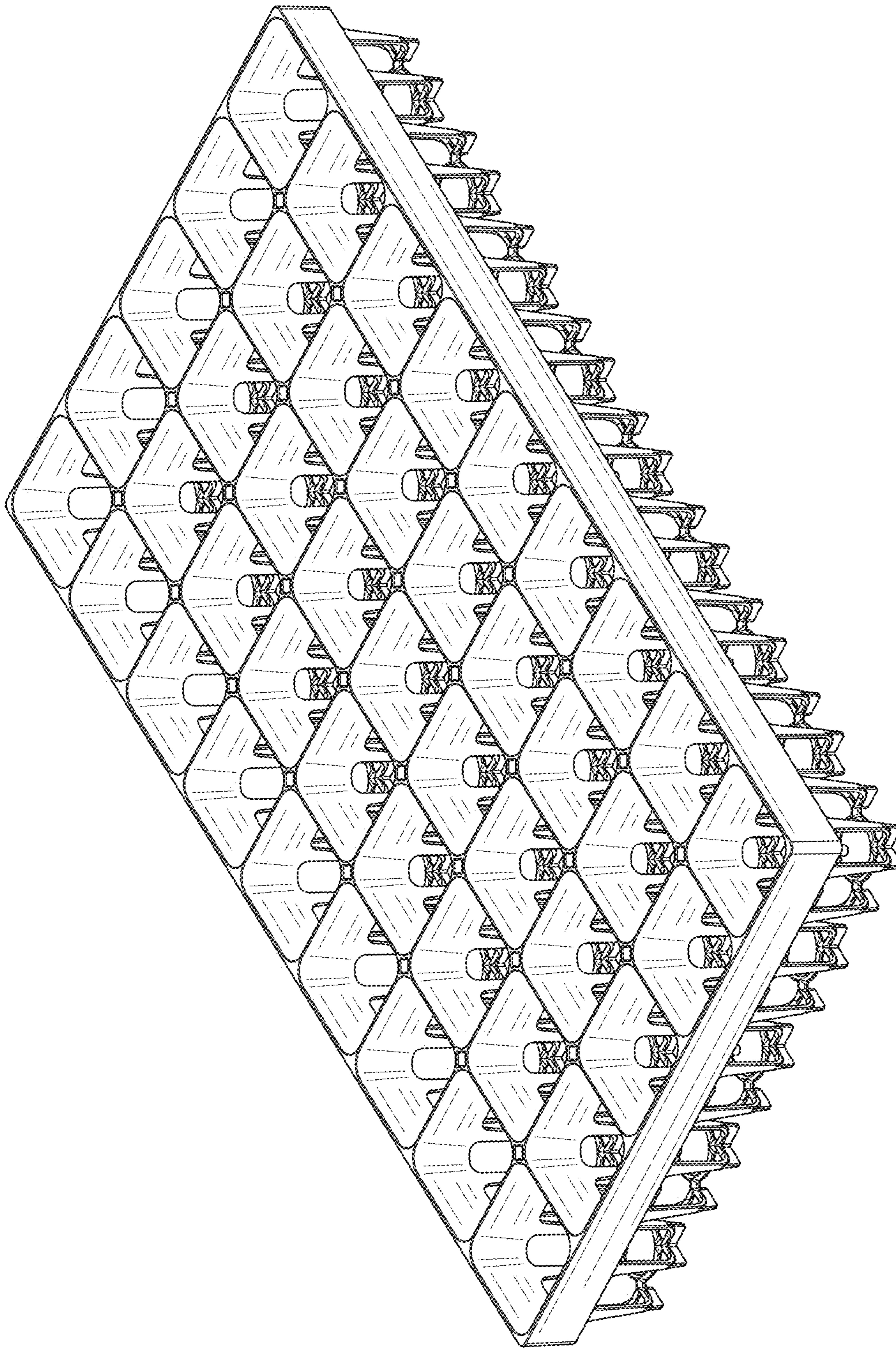


FIG. 5

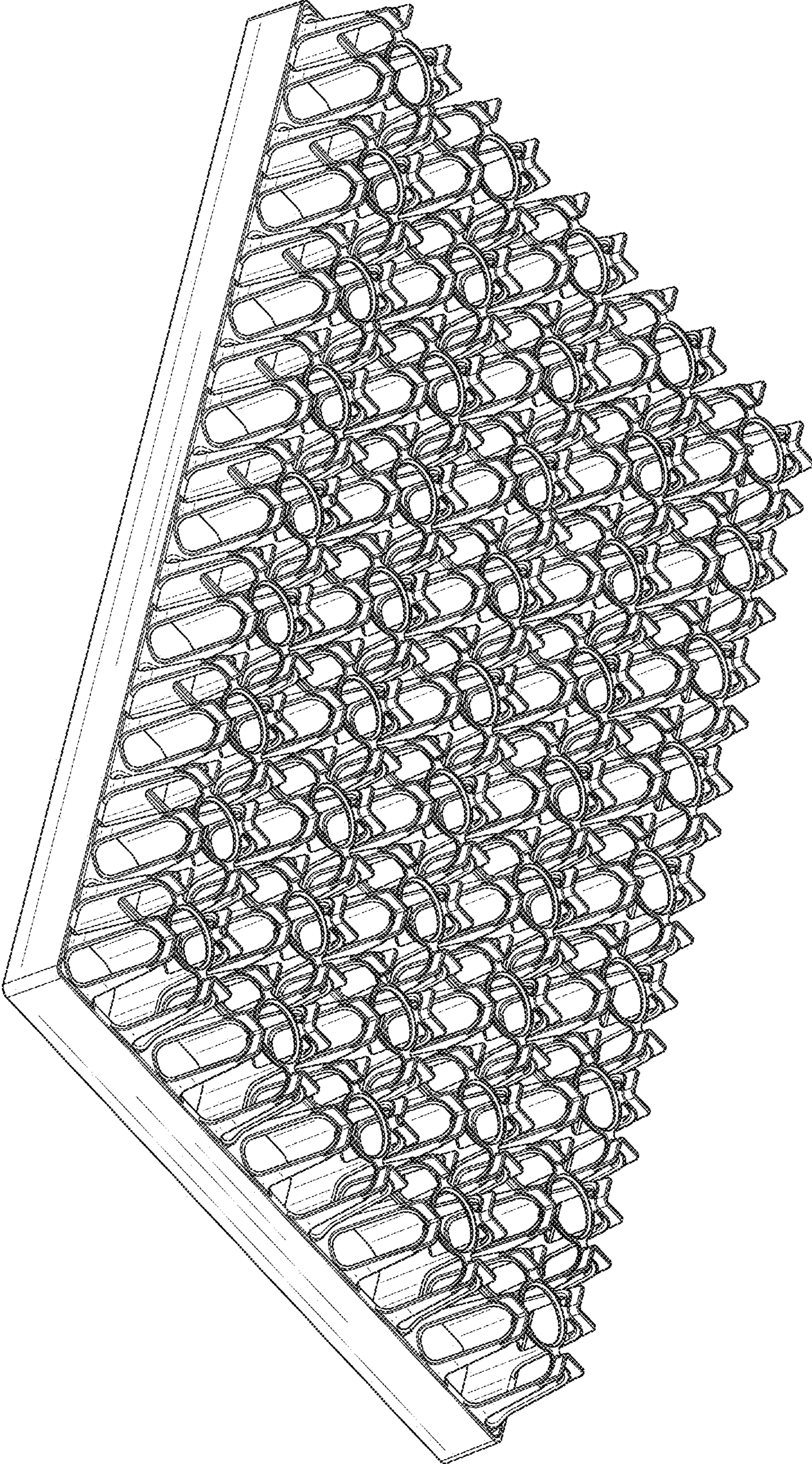


FIG. 6

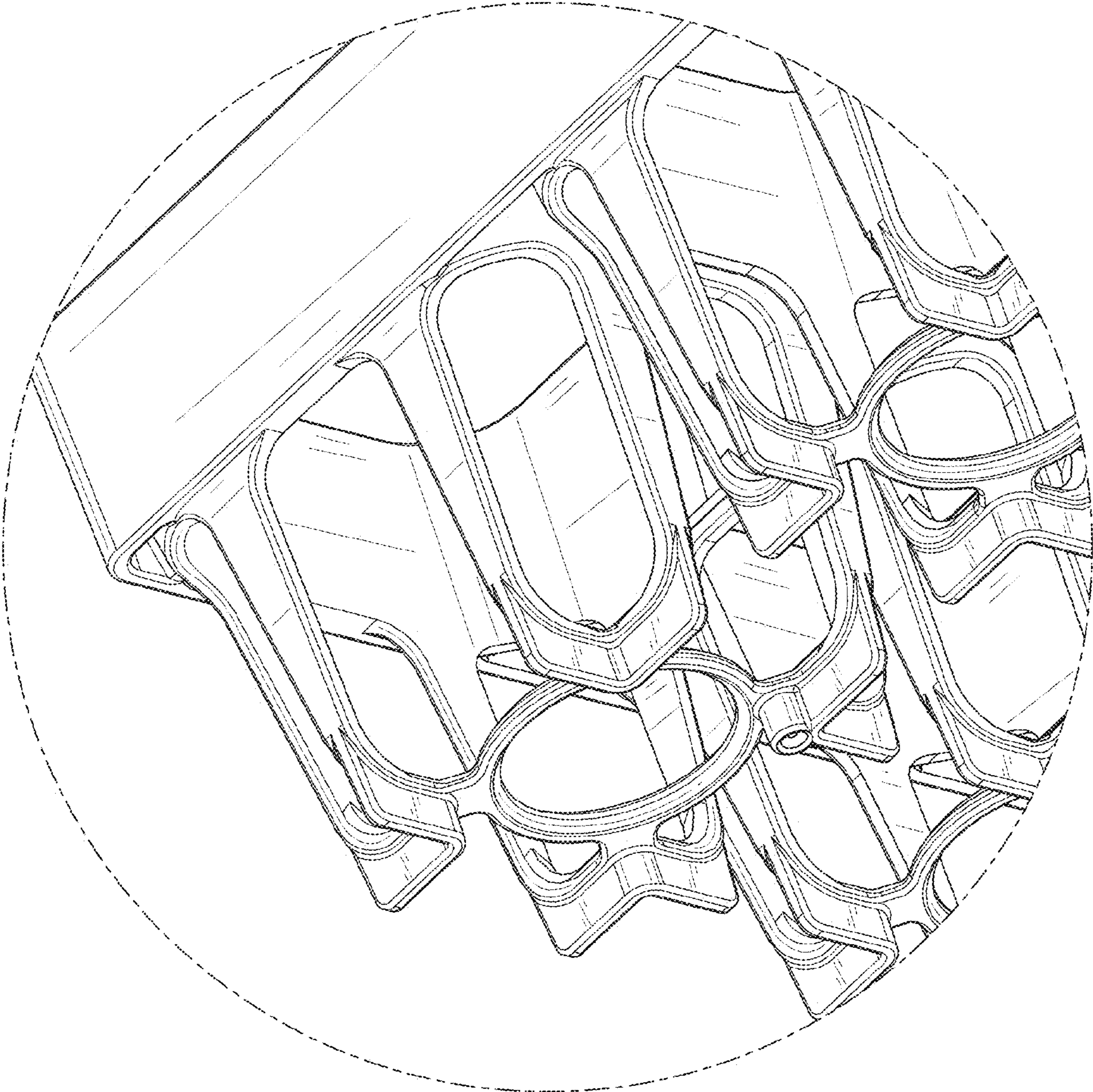


FIG. 7

UNITED STATES PATENT AND TRADEMARK OFFICE  
**CERTIFICATE OF CORRECTION**

PATENT NO. : D897,893 S  
APPLICATION NO. : 29/690593  
DATED : October 6, 2020  
INVENTOR(S) : Tobias Ragnvid

Page 1 of 1

It is certified that error appears in the above-identified patent and that said Letters Patent is hereby corrected as shown below:

On the Title Page

At item (30), please change the Foreign Application Number from "005841186-0001" to  
--005841186--.

Signed and Sealed this  
Twenty-fourth Day of August, 2021



Drew Hirshfeld  
*Performing the Functions and Duties of the  
Under Secretary of Commerce for Intellectual Property and  
Director of the United States Patent and Trademark Office*