

US00D897892S

(12) **United States Design Patent**
Lawson et al.

(10) **Patent No.:** **US D897,892 S**
(45) **Date of Patent:** **** Oct. 6, 2020**

(54) **PLANTER**
(71) Applicant: **Peak Innovations Inc.**, Richmond (CA)
(72) Inventors: **Craig Lawson**, Burnaby (CA); **Adam Mantei**, Burnaby (CA)
(73) Assignee: **Peak Innovations Inc.**, Richmond (CA)
(**) Term: **15 Years**
(21) Appl. No.: **29/683,272**
(22) Filed: **Mar. 12, 2019**

(30) **Foreign Application Priority Data**
Feb. 28, 2019 (CA) 186291
(51) **LOC (12) Cl.** **11-02**
(52) **U.S. Cl.**
USPC **D11/155**
(58) **Field of Classification Search**
USPC D11/143-156, 164; D3/304, 313, 314;
D6/403, 404, 405, 556, 557, 558;
D7/316, 598; D9/428, 432, 456
CPC . A01G 5/04; A01G 9/02; A01G 9/021; A01G
9/022; A01G 9/026; A01G 9/027; A01G
9/029; A01G 9/0295; A01G 9/033; A47G
7/00; A47G 7/02; A47G 7/04; A47G
7/041; A47G 7/044; A47G 7/047; A47G
7/06; A47G 7/063; A47G 7/08
See application file for complete search history.

(56) **References Cited**
U.S. PATENT DOCUMENTS
1,059,359 A * 4/1913 Hahn B65D 85/321
217/26
1,954,006 A * 4/1934 Wolf B65D 85/52
47/84
D97,098 S * 10/1935 Schurmann D6/405

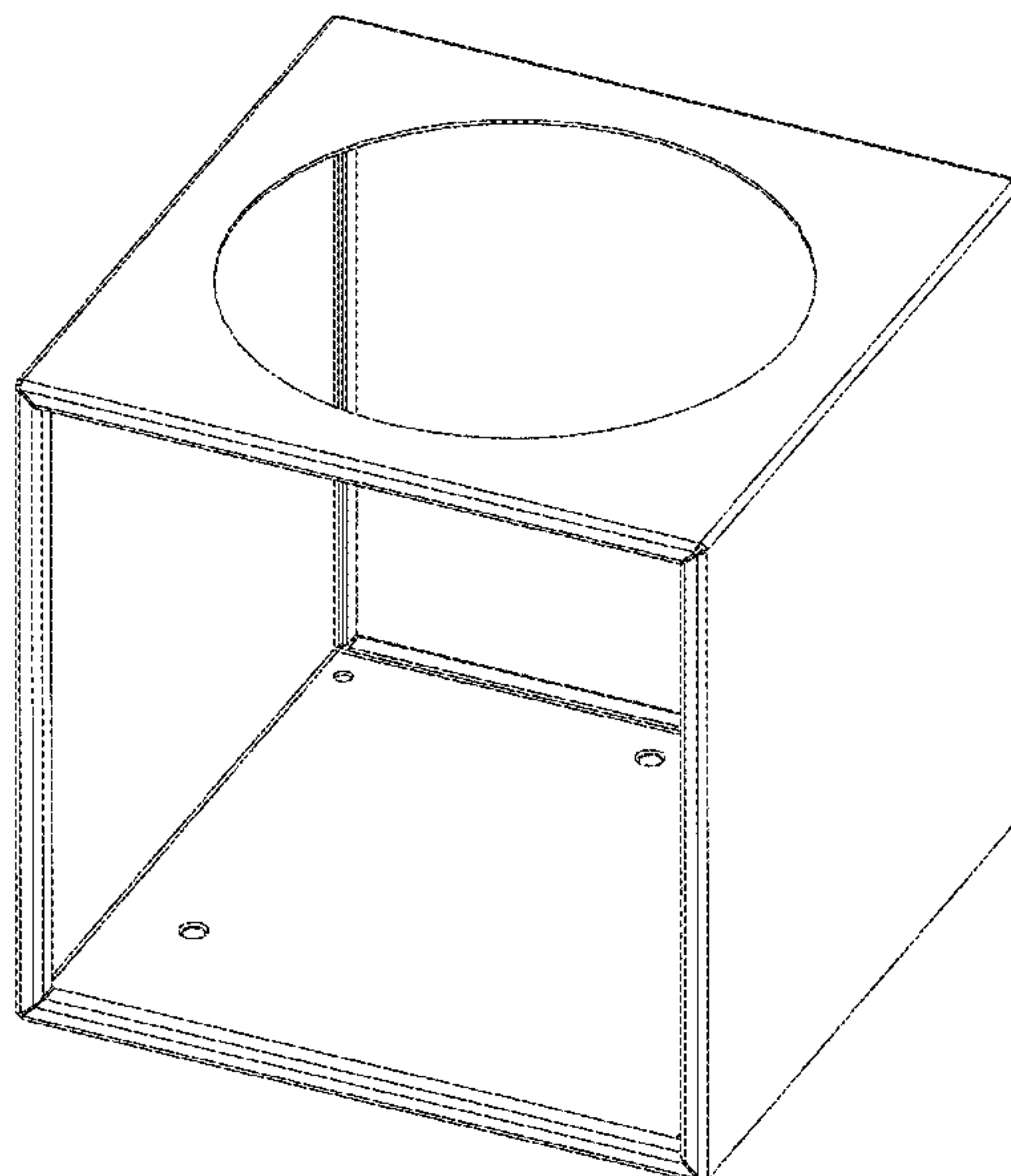
2,664,670 A * 1/1954 Mulford B65D 85/52
47/84
2,688,209 A * 9/1954 Adams A01G 9/029
47/74
3,314,194 A * 4/1967 Halleck A01G 9/02
47/69
D238,088 S * 12/1975 Grosfillex D11/155
4,113,093 A * 9/1978 Hendrickx B65D 81/36
206/423
4,819,803 A * 4/1989 Neiser A47G 7/025
206/423
4,936,046 A * 6/1990 Miller B65D 85/52
206/423
4,941,572 A * 7/1990 Harris B65D 85/505
206/204
5,454,213 A * 10/1995 Gola B65B 25/026
206/423
D590,549 S * 4/2009 Kilroy D30/104
(Continued)

Primary Examiner — Elizabeth A. Albert
(74) *Attorney, Agent, or Firm* — Smiths IP; Lawrence Chan

(57) **CLAIM**
The ornamental design for a planter, as shown and described.

DESCRIPTION
Fig. 1 is a top perspective view thereof;
FIG. 2 is a bottom perspective view thereof;
FIG. 3 is a front view thereof;
FIG. 4 is a rear view thereof;
FIG. 5 is a left side view thereof;
FIG. 6 is a right side view thereof;
FIG. 7 is a top view thereof;
FIG. 8 is a bottom view thereof; and;
FIG. 9 is a top perspective view thereof, shown in an environment of use.
The features shown in broken line in FIG. 9 depict environmental subject matter only and form no part of the claimed design.

1 Claim, 9 Drawing Sheets



(56)

References Cited

U.S. PATENT DOCUMENTS

D598,809	S *	8/2009	Smith	D11/144
D616,610	S *	5/2010	Kilroy	D30/104
D661,222	S *	6/2012	Jaworski	D11/143
D689,793	S *	9/2013	Yung	D11/143
D745,428	S *	12/2015	Morris	D11/155
D745,429	S *	12/2015	Morris	D11/155
9,510,518	B2 *	12/2016	Shein	A01G 9/02
9,630,566	B2 *	4/2017	Harshman	B60R 7/043
9,892,665	B2 *	2/2018	LeMay	G09F 15/0037
D825,791	S *	8/2018	Patti	D26/9
10,398,089	B2 *	9/2019	De Swert	A01G 5/06
D877,652	S *	3/2020	Hung	D11/152
2013/0036669	A1 *	2/2013	Rabii	A01G 31/02 47/62 R

* cited by examiner

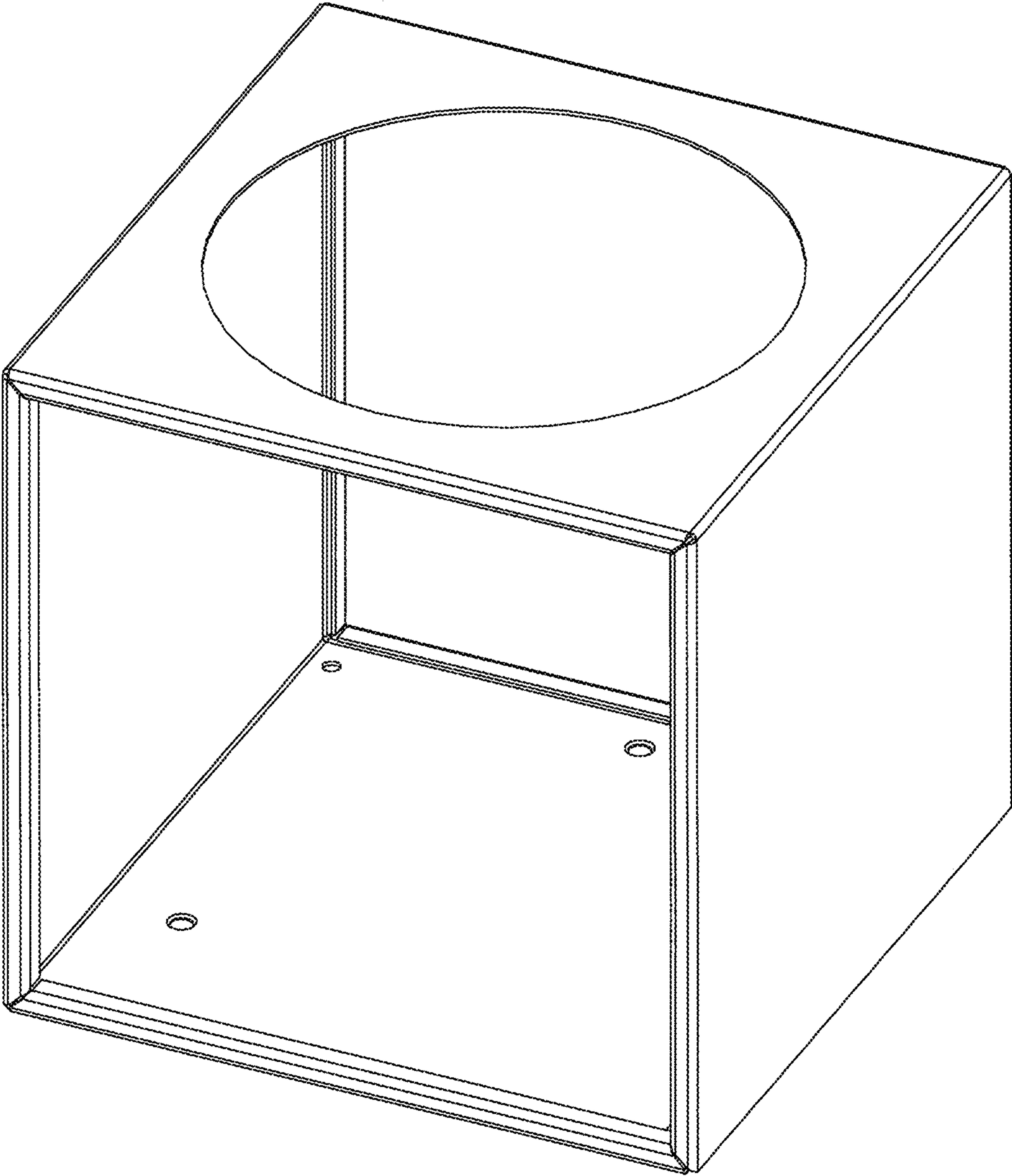


Fig. 1

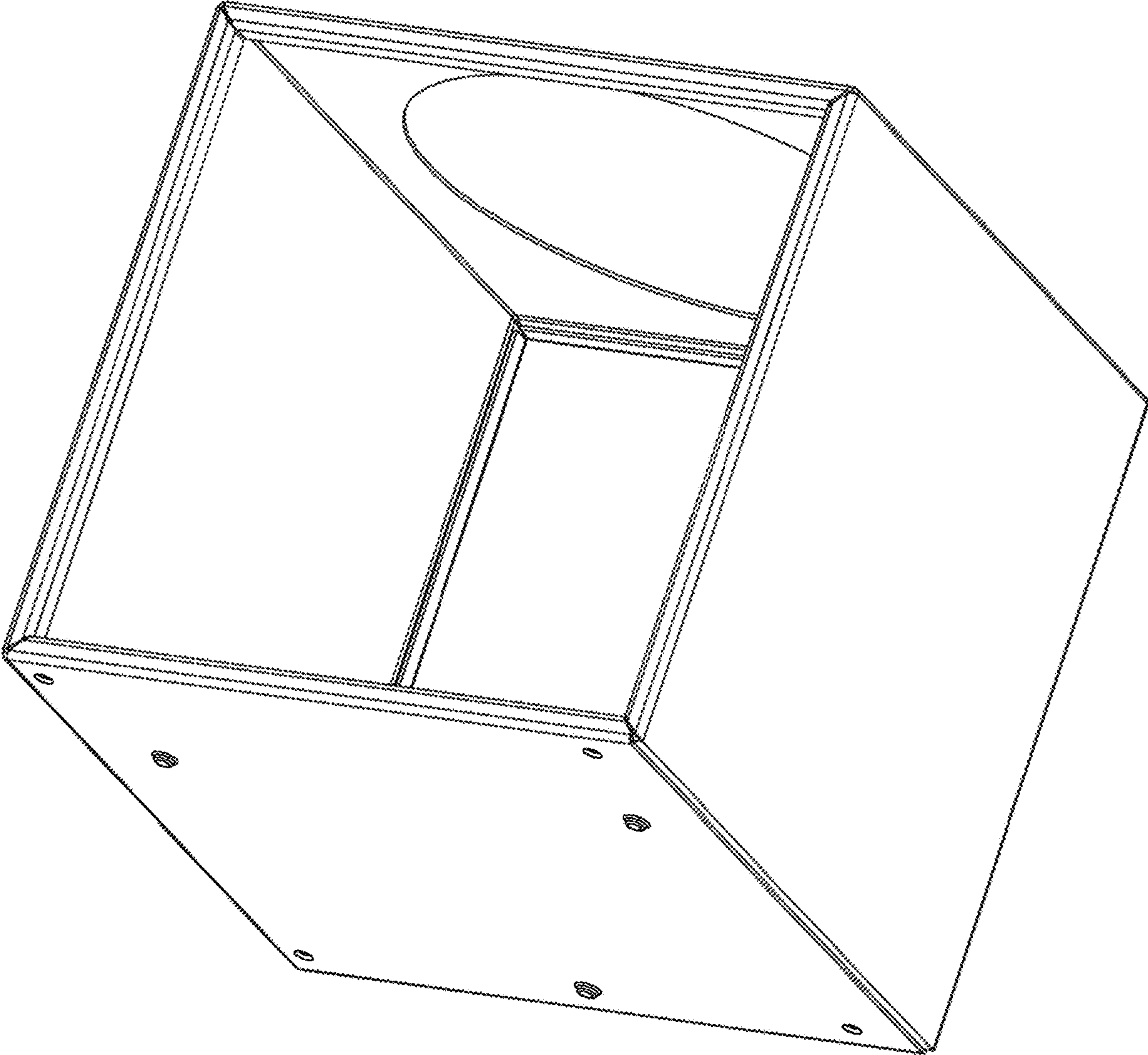


Fig. 2

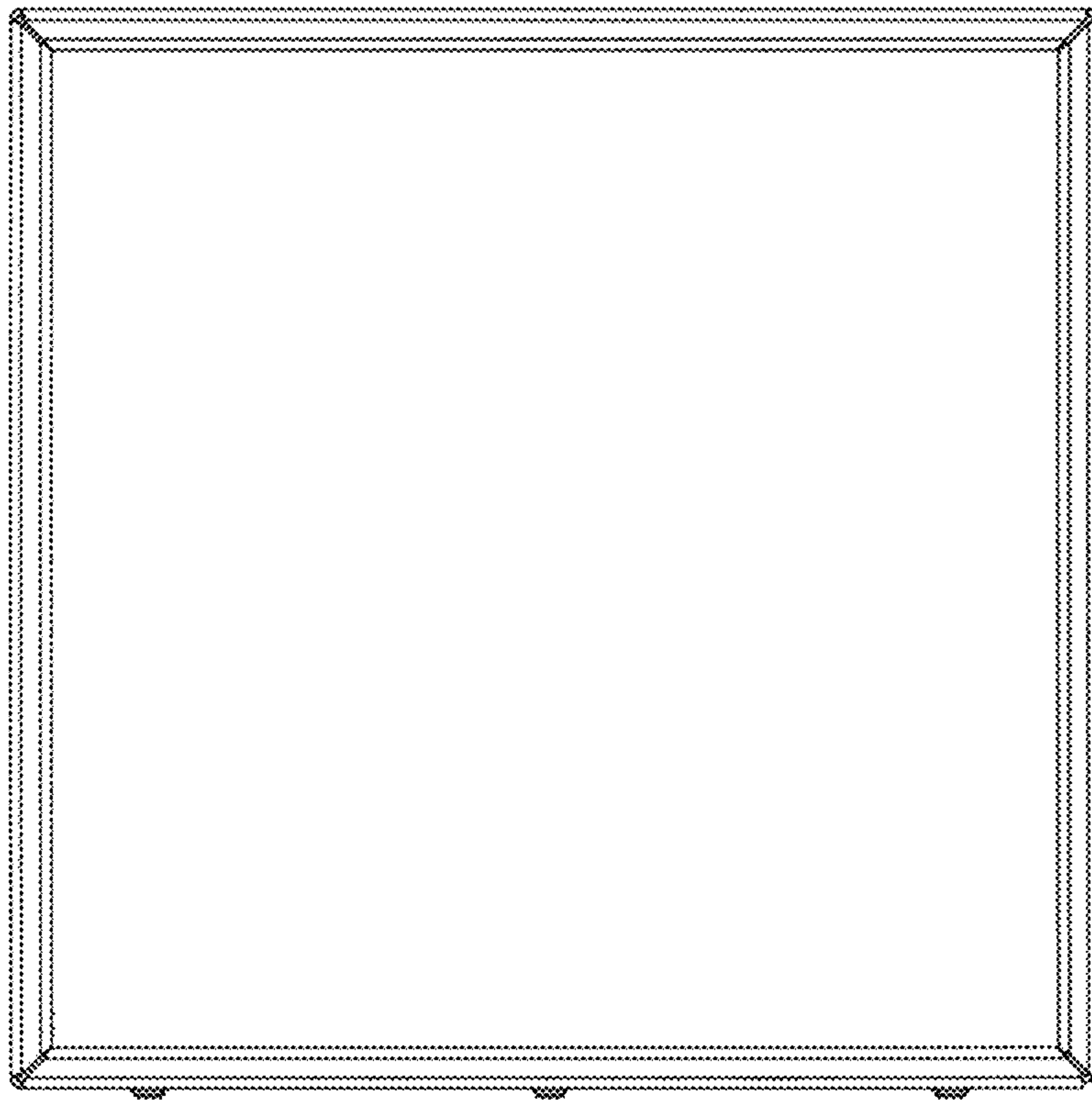


Fig. 3

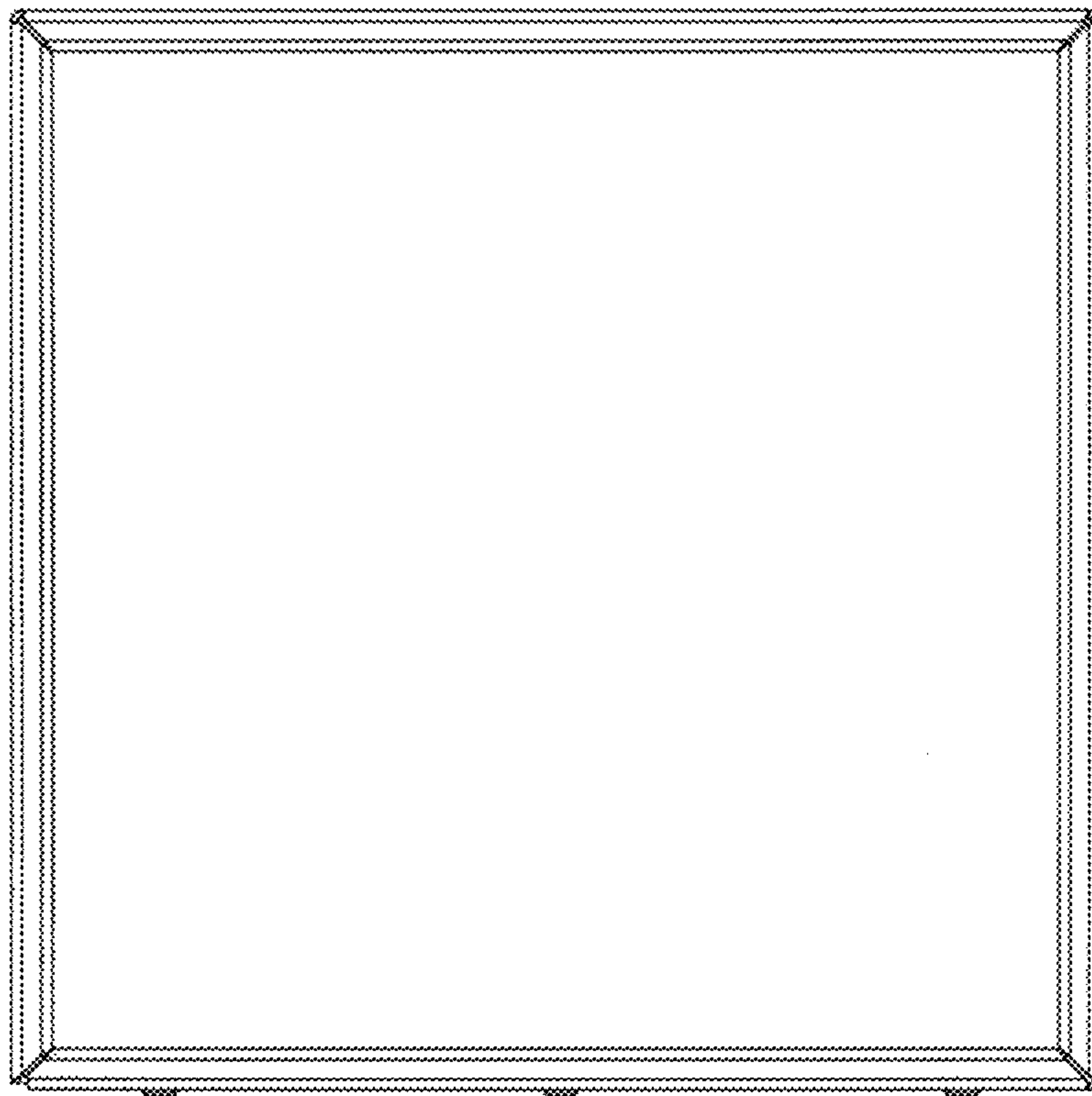


Fig. 4

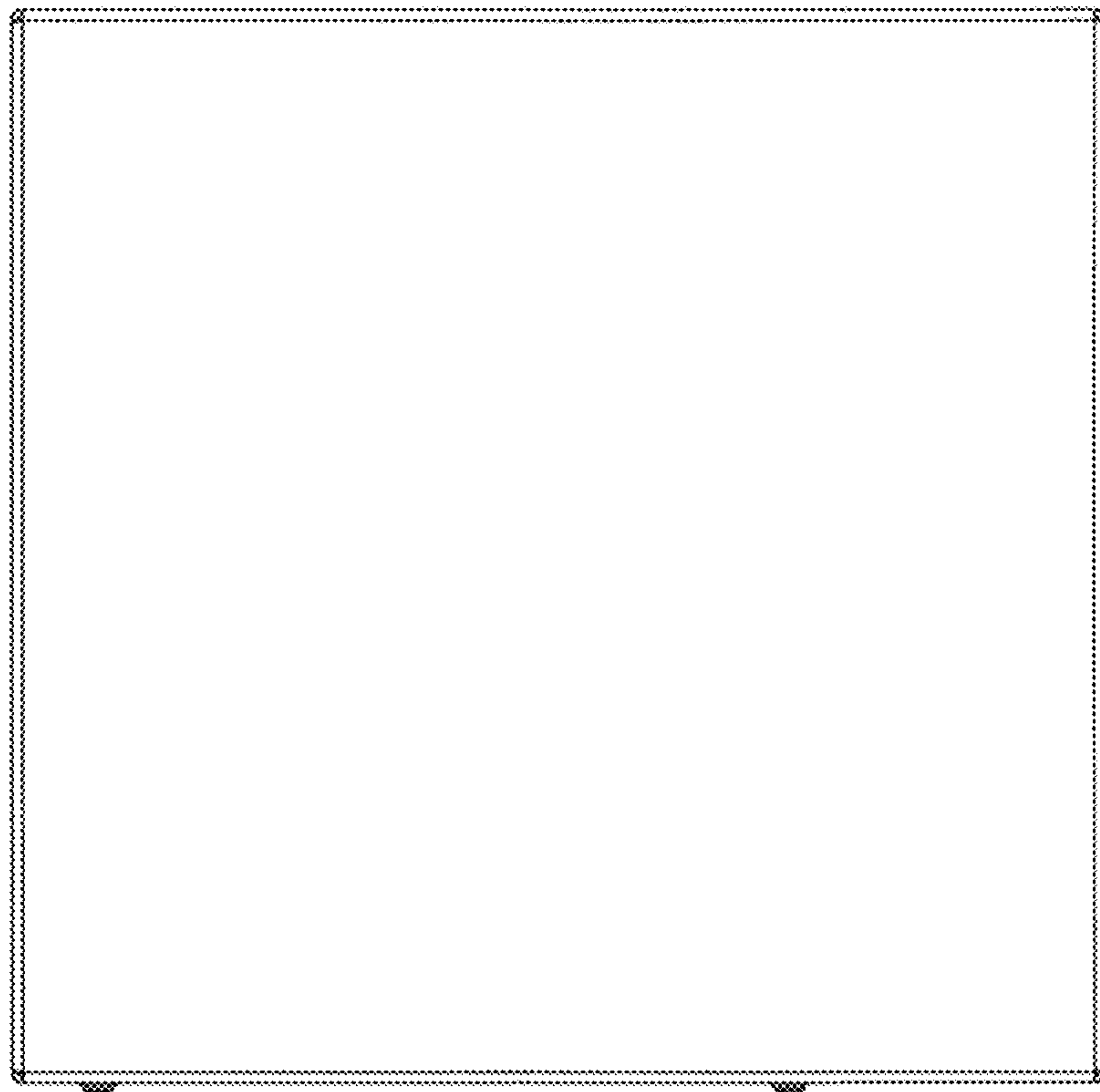


Fig. 5

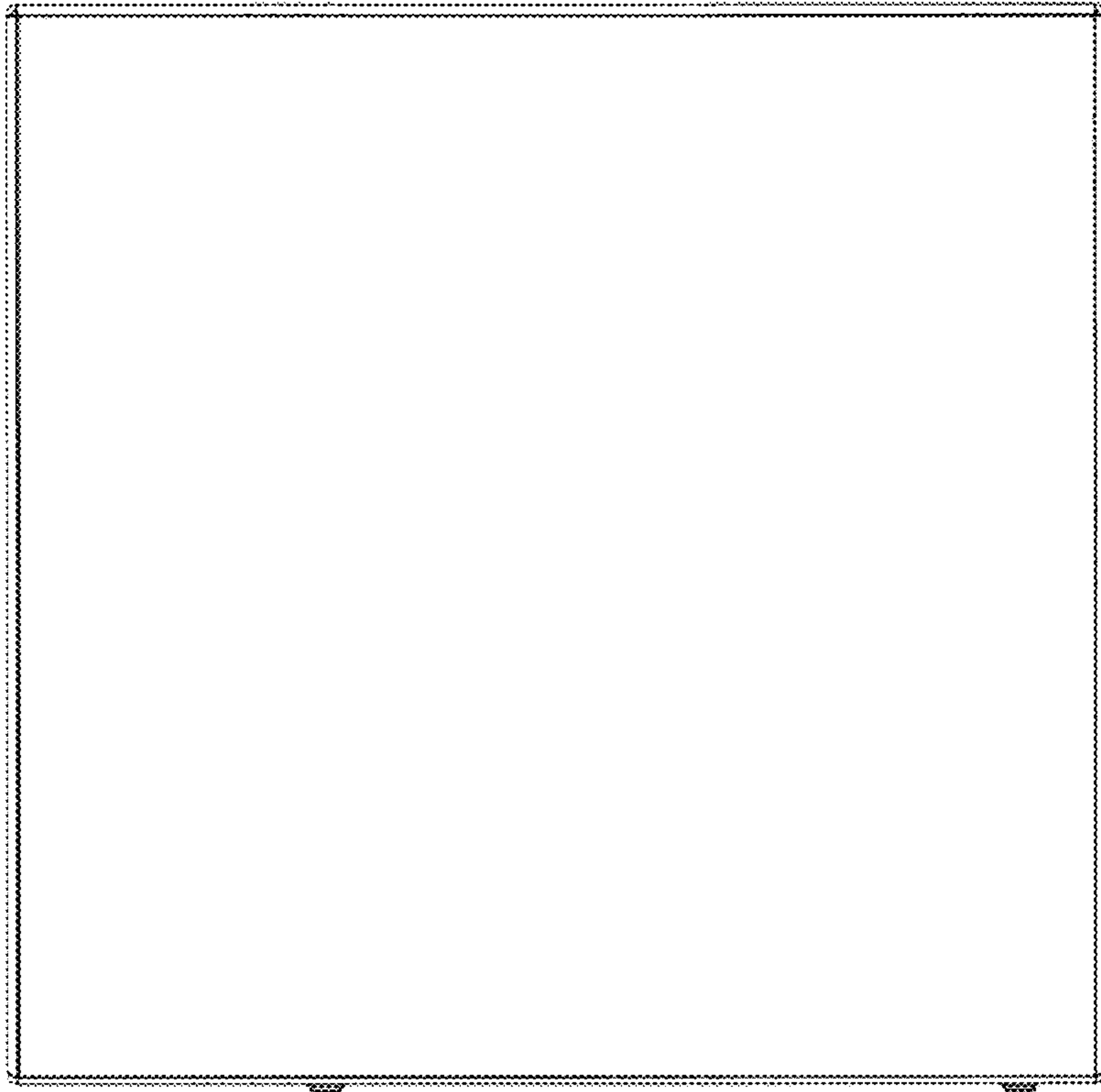


Fig. 6

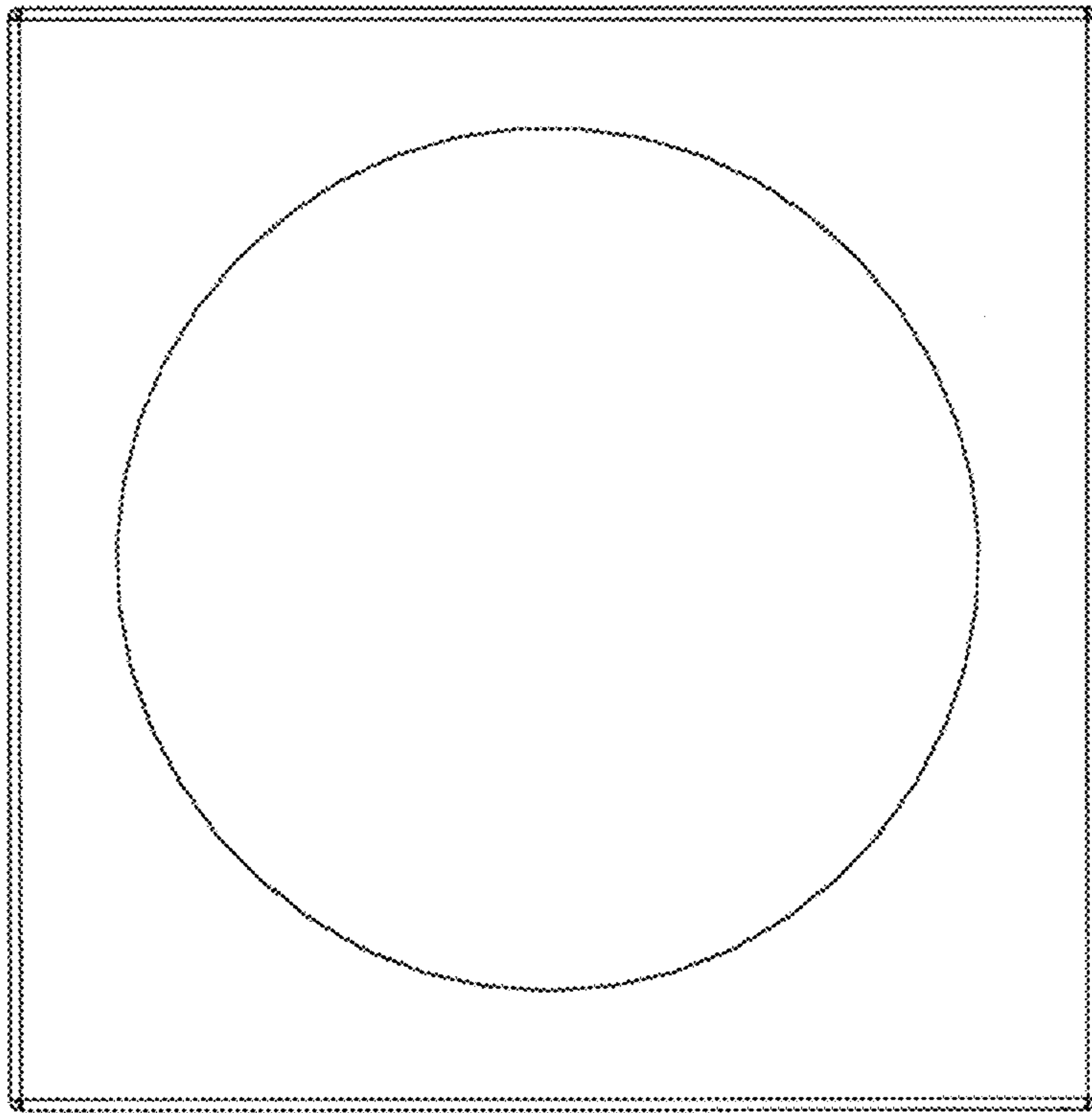


Fig. 7

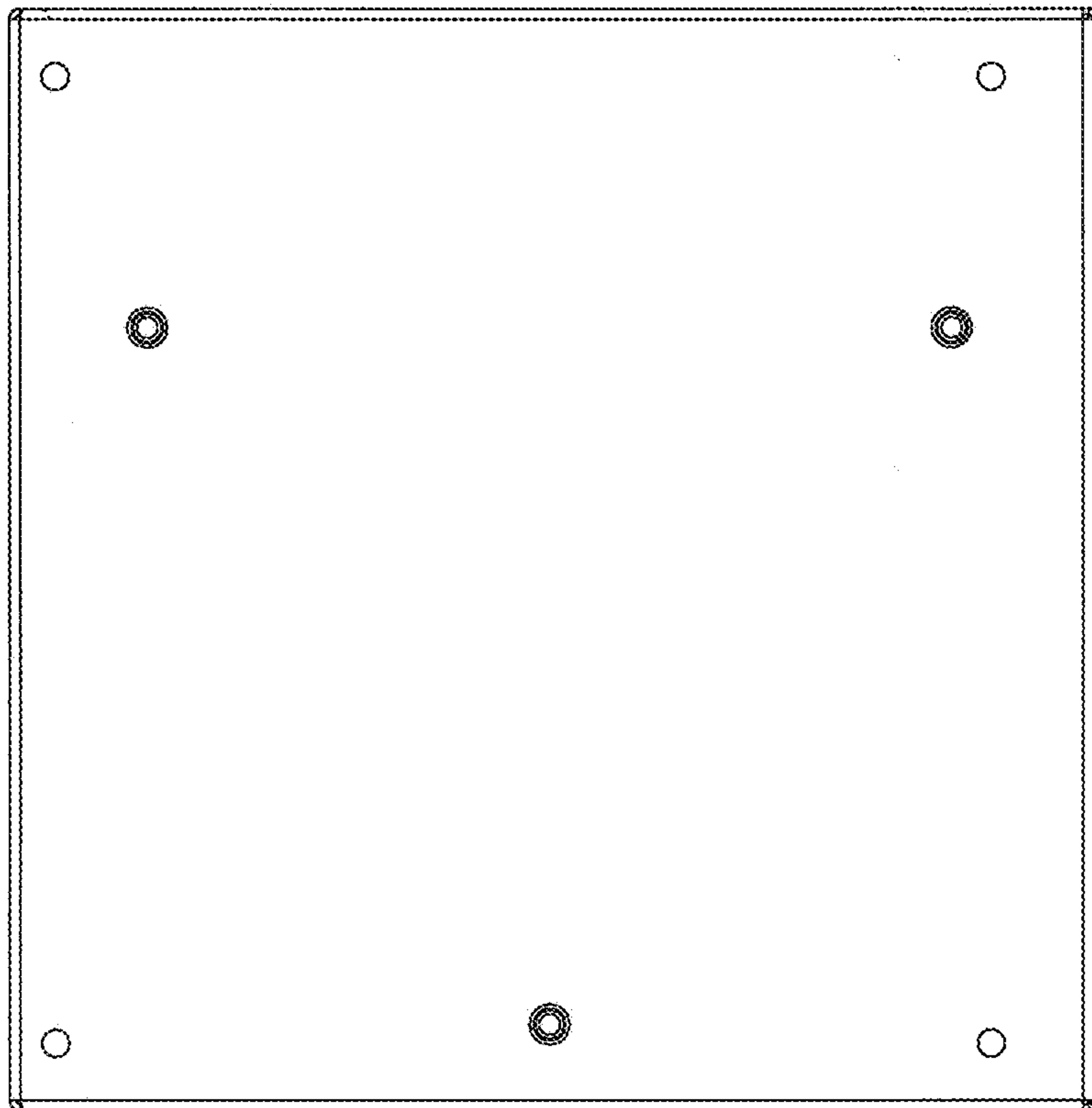


Fig. 8

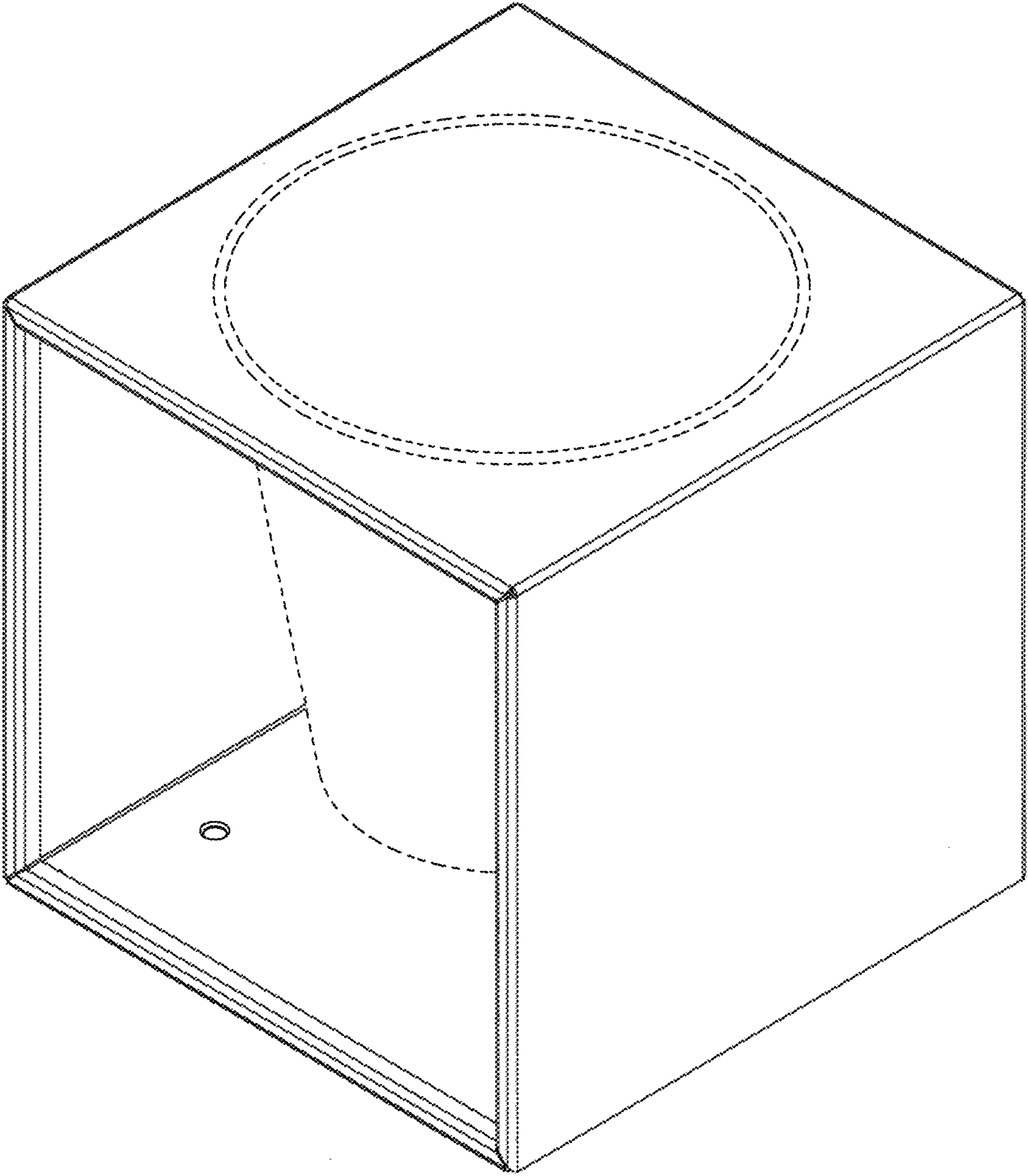


Fig. 9