

US00D897890S

(12) **United States Design Patent** (10) **Patent No.:** **US D897,890 S**
Stevens (45) **Date of Patent:** **** Oct. 6, 2020**

(54) **AEROPONICS PLANTER**
(71) Applicant: **IGWorks, Inc.**, San Clemente, CA (US)
(72) Inventor: **David Stevens**, Dana Point, CA (US)
(73) Assignee: **IGWORKS, INC.**, San Clemente, CA (US)
(**) Term: **15 Years**
(21) Appl. No.: **29/690,489**
(22) Filed: **May 8, 2019**

Related U.S. Application Data

(63) Continuation-in-part of application No. 29/623,533, filed on Oct. 25, 2017, now Pat. No. Des. 853,272.
(51) **LOC (12) Cl.** **11-02**
(52) **U.S. Cl.**
USPC **D11/143**
(58) **Field of Classification Search**
USPC D11/143–156, 164; D3/304, 313, 314; D6/403, 404, 405, 556, 557, 558; D7/316, 598; D9/428, 432, 456; D99/5, D99/19
CPC . A01G 5/04; A01G 9/02; A01G 9/021; A01G 9/022; A01G 9/026; A01G 9/027; A01G 9/029; A01G 9/033; A47G 7/00; A47G 7/02; A47G 7/04; A47G 7/041; A47G 7/044; A47G 7/047; A47G 7/06; A47G 7/063; A47G 7/08
See application file for complete search history.

(56) **References Cited**
U.S. PATENT DOCUMENTS

D149,053 S * 3/1948 Epstein D11/143
D246,771 S * 12/1977 Daniels D11/143
4,622,777 A * 11/1986 Greene, Jr. A01G 9/022
47/67

D491,768 S * 6/2004 Henry D7/600.4
7,055,282 B2 * 6/2006 Bryan, III A01G 9/023
47/62 R
D584,537 S * 1/2009 Cuzzocrea D6/678.2
D595,475 S * 6/2009 Rickards D99/19
8,578,651 B1 * 11/2013 Giacomantonio A01G 31/02
47/59 R
8,776,433 B2 * 7/2014 Huang A01G 9/022
47/82
D719,055 S * 12/2014 Tyink D11/143
9,032,665 B2 * 5/2015 Whitney A01G 31/02
47/59 R
D744,896 S * 12/2015 Sebastampillai D11/144
D795,130 S * 8/2017 Clayton D11/155
D809,965 S * 2/2018 Linneberg D11/152
9,918,436 B2 * 3/2018 Cudmore C05F 17/986
10,004,186 B2 * 6/2018 Daugirdas A01G 31/06
10,136,594 B2 * 11/2018 Blank A01G 31/06
10,206,344 B2 * 2/2019 Bryan, III A01G 31/06

(Continued)

Primary Examiner — Elizabeth A. Albert
(74) *Attorney, Agent, or Firm* — Holland & Hart LLP

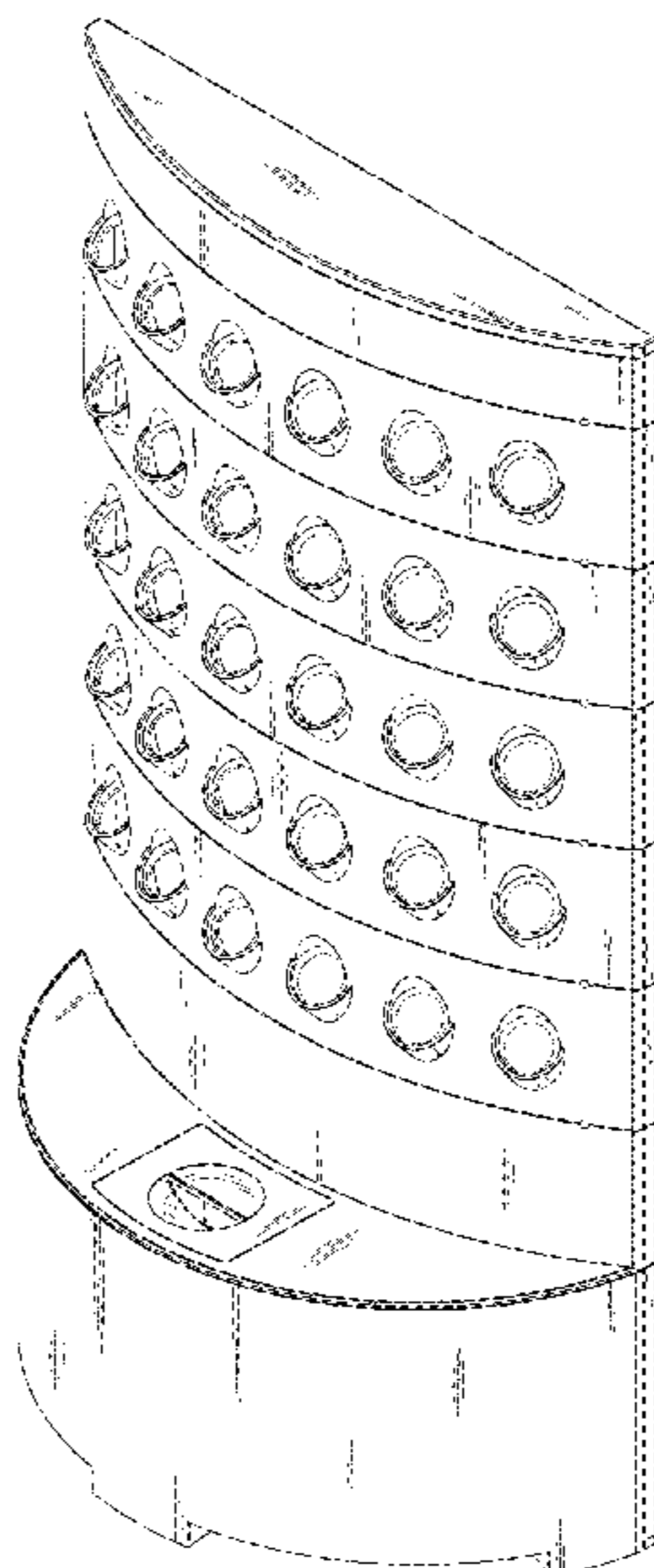
(57) **CLAIM**

I claim the ornamental design for an aeroponics planter, as shown and described.

DESCRIPTION

FIG. 1 is a front perspective view of a first embodiment of an aeroponics planter showing my new design.
FIG. 2 is a front elevation view thereof.
FIG. 3 is a rear elevation view thereof.
FIG. 4 is a right side elevation view.
FIG. 5 is a left side elevation view.
FIG. 6 is a top plan view thereof; and,
FIG. 7 is a bottom plan view thereof.
The broken lines shown in the drawings are included for the purpose of illustrating environmental structures only and form no part of the claimed design.

1 Claim, 7 Drawing Sheets



(56)

References Cited

U.S. PATENT DOCUMENTS

2011/0258925 A1* 10/2011 Baker A01G 9/023
47/65.8
2014/0318011 A1* 10/2014 Jarvinen A01G 9/025
47/79

* cited by examiner

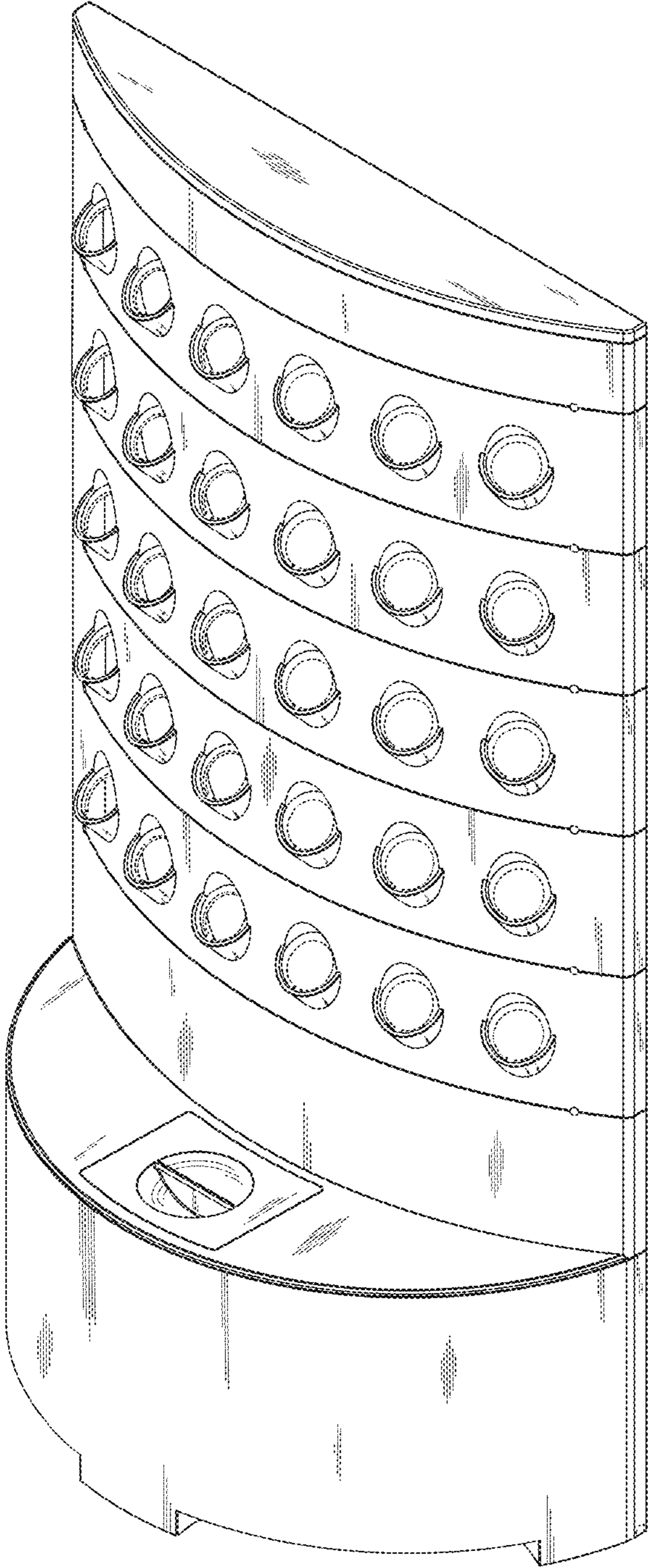


FIG. 1

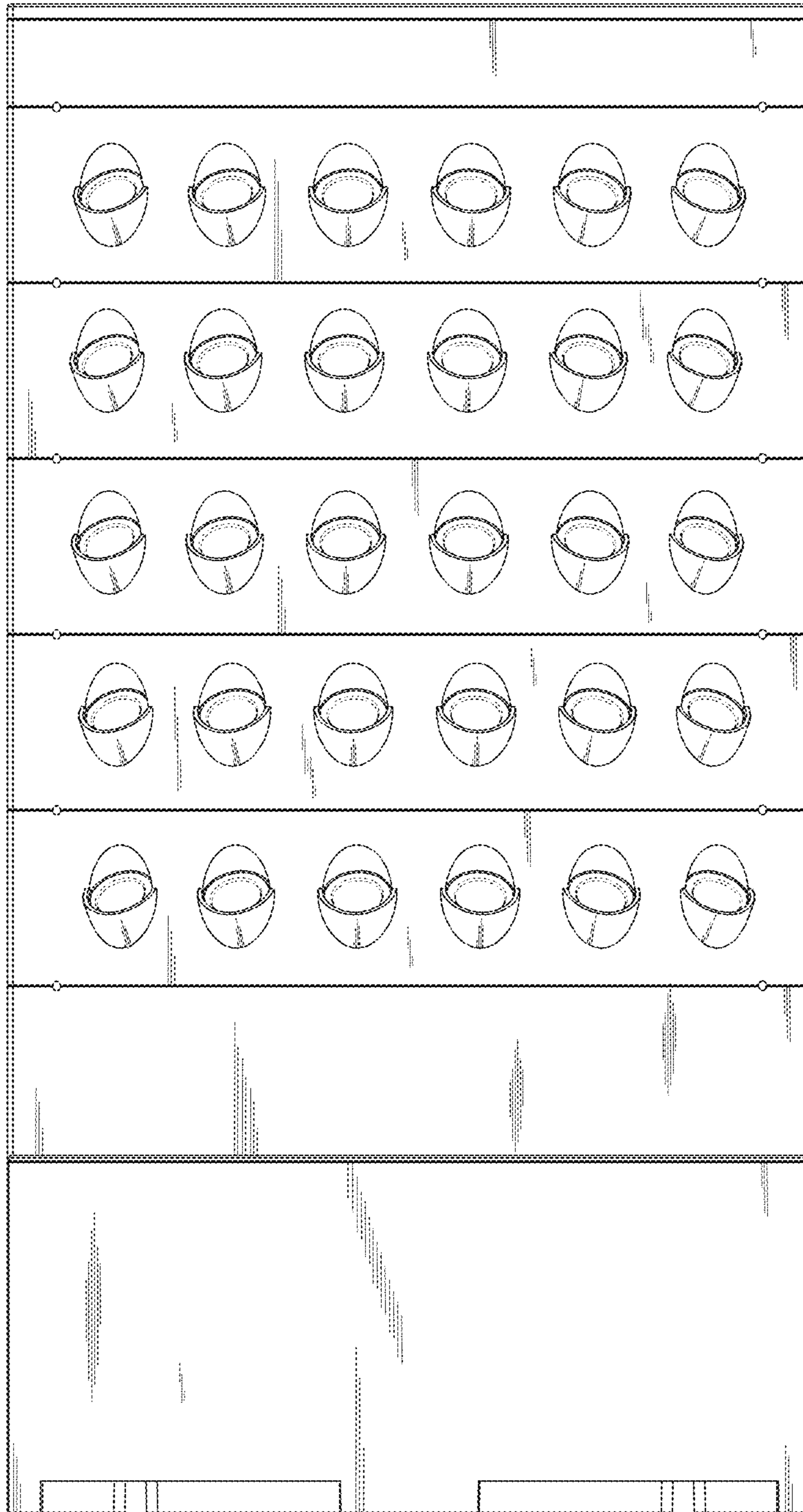


FIG. 2

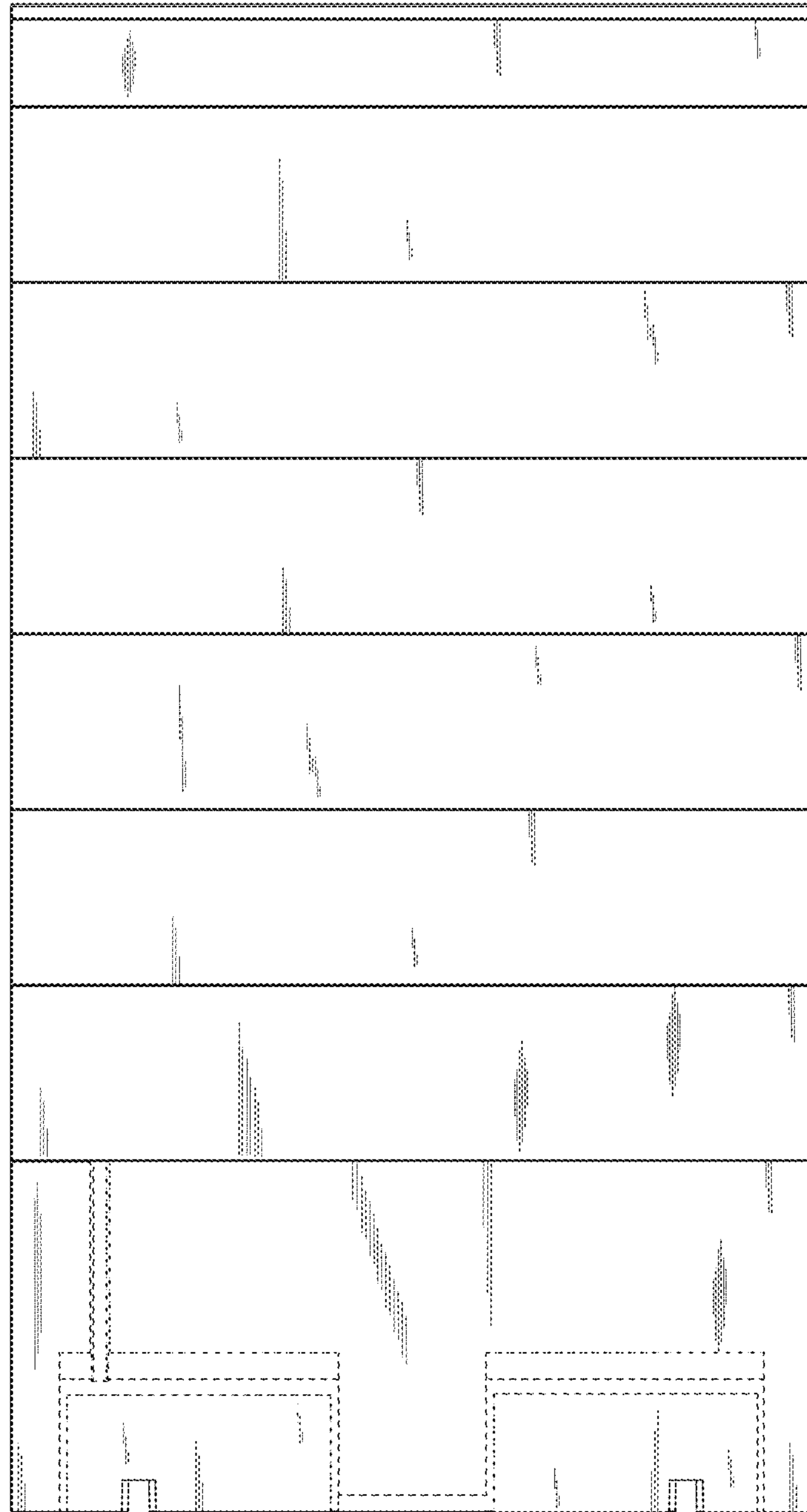


FIG. 3

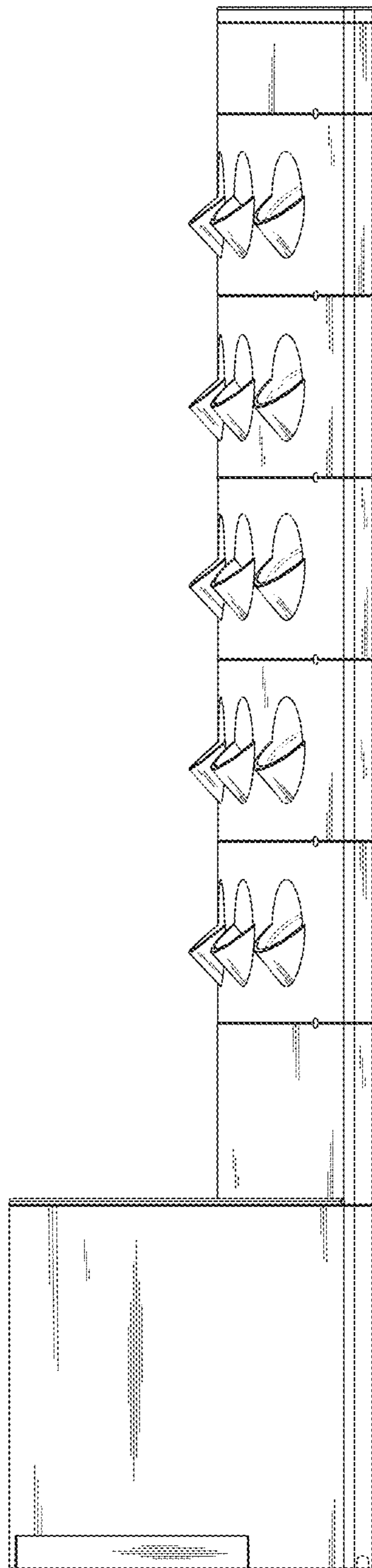


FIG. 4

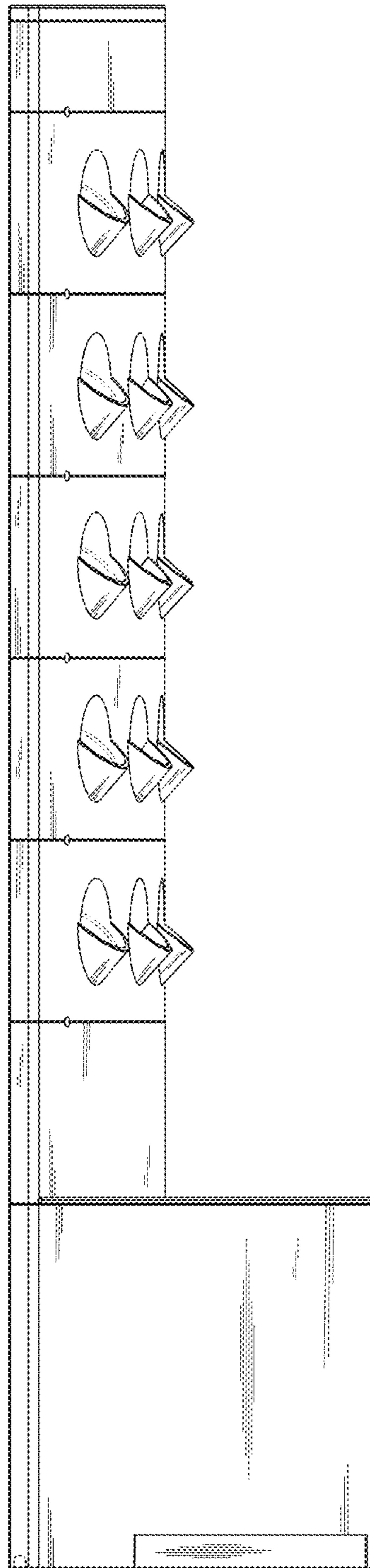


FIG. 5

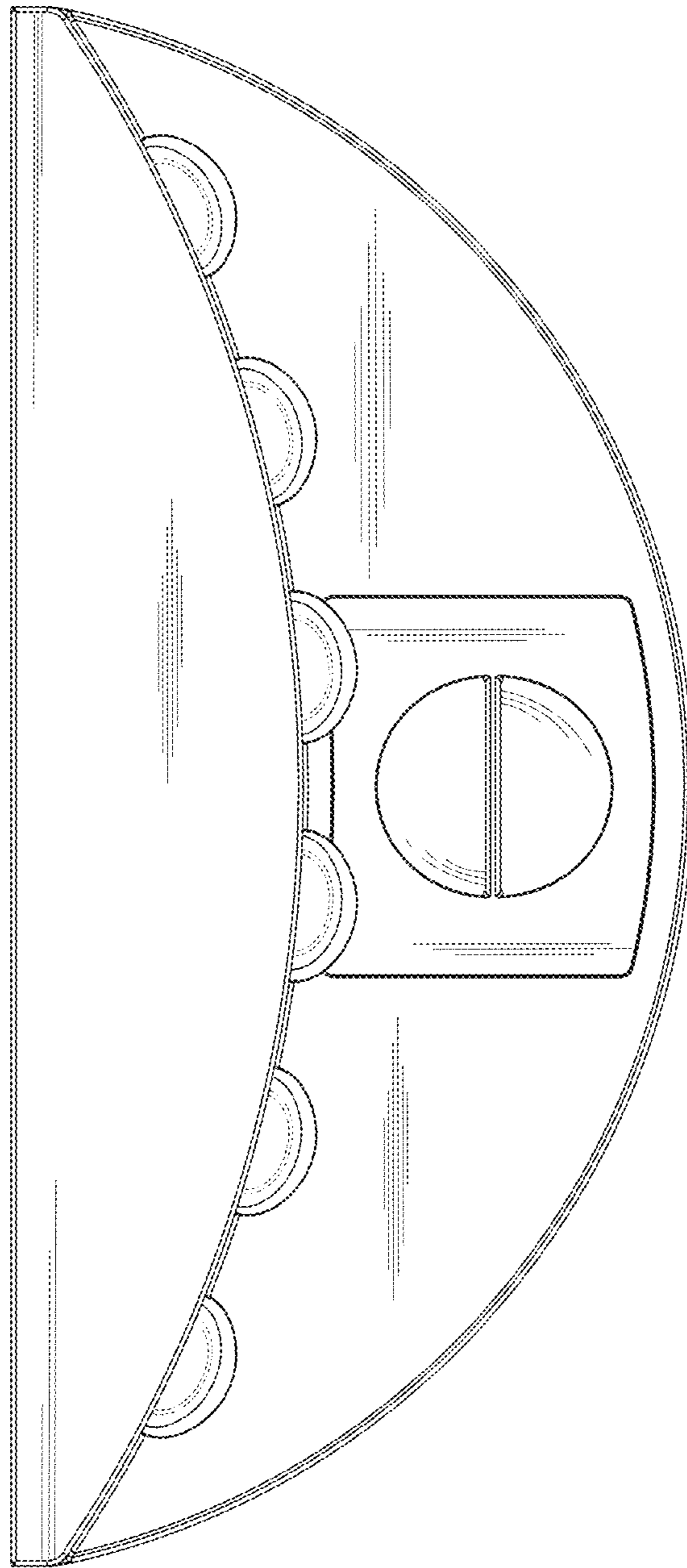


FIG. 6

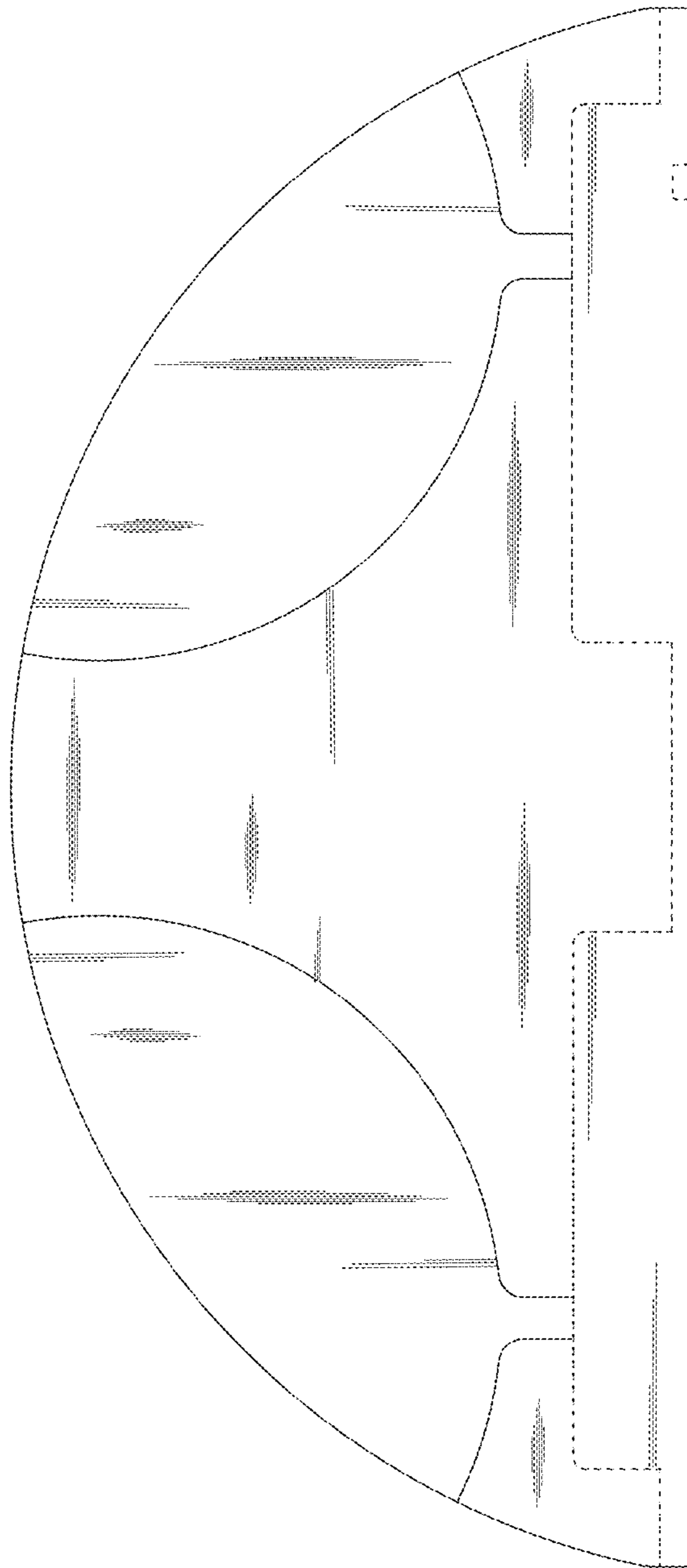


FIG. 7