



US00D897882S

(12) **United States Design Patent** (10) **Patent No.:** **US D897,882 S**  
**Yi** (45) **Date of Patent:** **\*\* Oct. 6, 2020**

(54) **ONE-PIECE WATCH STRAP CASE**

(71) Applicant: **Yanxin Yi**, Shenzhen (CN)

(72) Inventor: **Yanxin Yi**, Shenzhen (CN)

(\*\*) Term: **15 Years**

(21) Appl. No.: **29/671,667**

(22) Filed: **Nov. 29, 2018**

(51) **LOC (12) Cl.** ..... **11-01**

(52) **U.S. Cl.**  
USPC ..... **D11/3; D14/440**

(58) **Field of Classification Search**  
USPC ..... D10/30-39, 40-41, 65, 70, 97-98, 128,  
D10/131-132; D11/3, 5, 94; D14/344,  
D14/345, 440; D24/167, 186  
CPC ..... G04B 19/18; G04B 19/23; G04B 19/283;  
G04B 37/05; G04B 37/081-087; A44C  
5/00; A44C 5/0053; A44C 5/14; A44C  
5/147; A44C 5/22; A44C 5/24; A45C  
11/10; A45C 11/12; A45C 13/002; A45C  
2011/001-003

See application file for complete search history.

(56) **References Cited**

**U.S. PATENT DOCUMENTS**

D344,038 S *	2/1994	Phillips	.....	D11/3
D388,333 S *	12/1997	Wunderman	.....	D10/32
7,591,581 B2 *	9/2009	Lovegrove	.....	A44C 5/24 368/276
D669,389 S *	10/2012	Maier	.....	D11/94
9,004,329 B2 *	4/2015	Hsieh	.....	G04G 17/08 224/169
D746,707 S *	1/2016	Akana	.....	D10/39
D758,234 S *	6/2016	Riddiford	.....	D11/3
9,471,102 B2 *	10/2016	Townsend	.....	G06F 1/163
D809,510 S *	2/2018	Rochat	.....	D14/344
D810,738 S *	2/2018	Cho	.....	D14/344
D815,972 S *	4/2018	Akana	.....	D11/3

D836,477 S *	12/2018	Peng	.....	D11/3
D837,082 S *	1/2019	Akana	.....	D11/3
D843,875 S *	3/2019	Akana	.....	D11/34
D848,893 S *	5/2019	Yu	.....	D11/3
D854,960 S *	7/2019	Yu	.....	D11/3
D857,542 S *	8/2019	Sun	.....	D11/3
2017/0248922 A1 *	8/2017	Hynecek	.....	G04B 37/005

**OTHER PUBLICATIONS**

Apple Smrt Watch Leather Magnetic Loop Band | posted at amazon.com Nov. 2017 [online]. © 1996-2020, Amazon.com, Inc [retrieved Jun. 2, 2020] from Internet: <<https://www.amazon.com/Magnetic-Synthetic-Shockproof-Protective-Compatible/dp/B077H1XVZB>> (Year: 2017).\*

Leotop Compatible Apple Watch Case | amazon.com Jul. 2018 [online]. © 1996-2020, Amazon.com, Inc [retrieved Jun. 2, 2020] from Internet: <[https://www.amazon.com/Leotop-Compatible-Protective-Aluminum-Protector/dp/B07H2VNJVJ/ref=sr\\_1\\_43?dchild=1&keywords=apple%2Bwatch%2Bframe&qid=1591126748&sr=8-43&th=1](https://www.amazon.com/Leotop-Compatible-Protective-Aluminum-Protector/dp/B07H2VNJVJ/ref=sr_1_43?dchild=1&keywords=apple%2Bwatch%2Bframe&qid=1591126748&sr=8-43&th=1)> (Year: 2018).\*

\* cited by examiner

*Primary Examiner* — Sandra S Snapp  
*Assistant Examiner* — Katherine Glennon

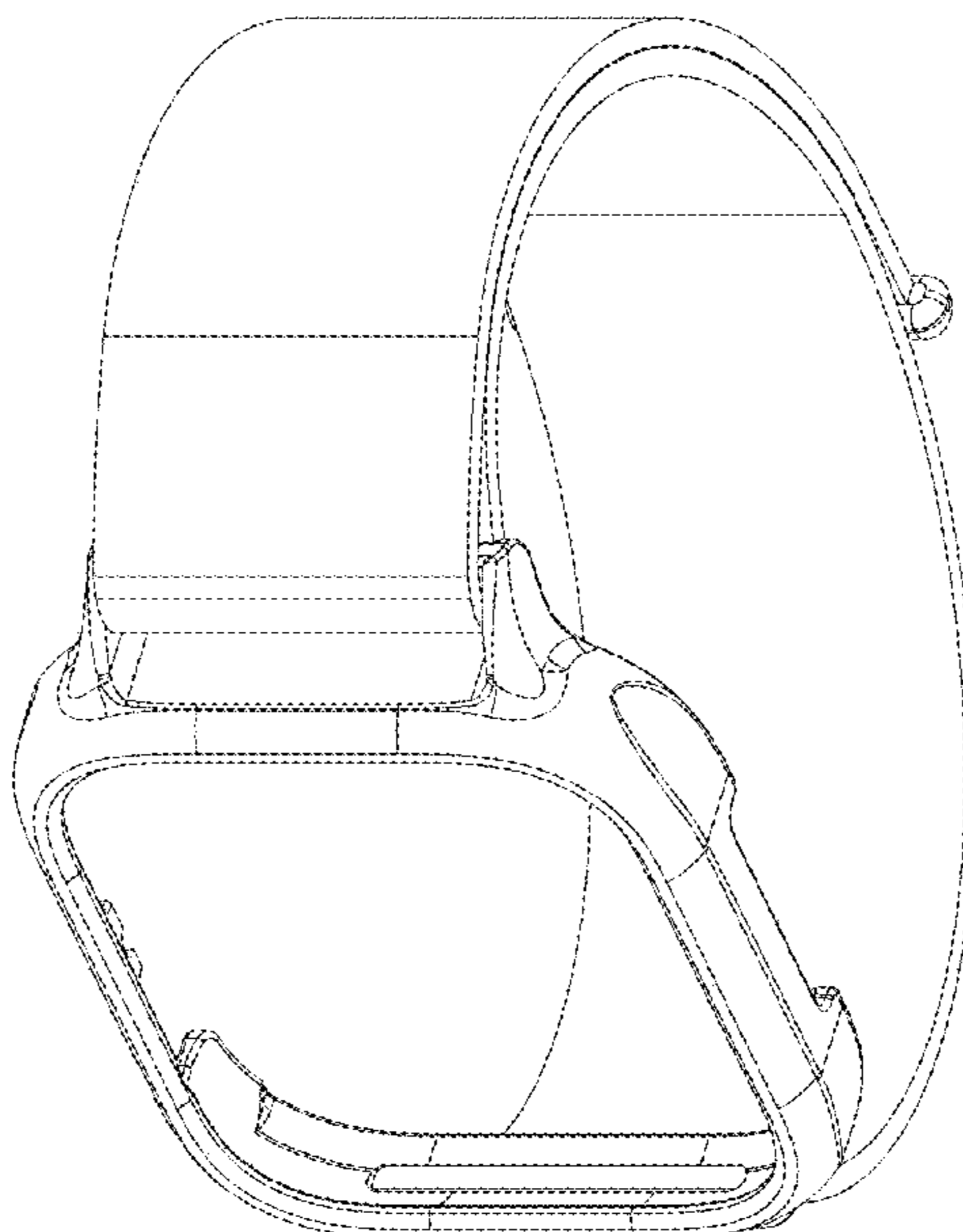
(57) **CLAIM**

The ornamental design for a one-piece watch strap case, as shown and described.

**DESCRIPTION**

FIG. 1 is a perspective view of a one-piece watch strap case. FIG. 2 is a front view thereof; FIG. 3 is a rear view thereof; FIG. 4 is a left view thereof; FIG. 5 is a right view thereof; FIG. 6 is a top view thereof; and, FIG. 7 is a bottom view thereof.

**1 Claim, 7 Drawing Sheets**



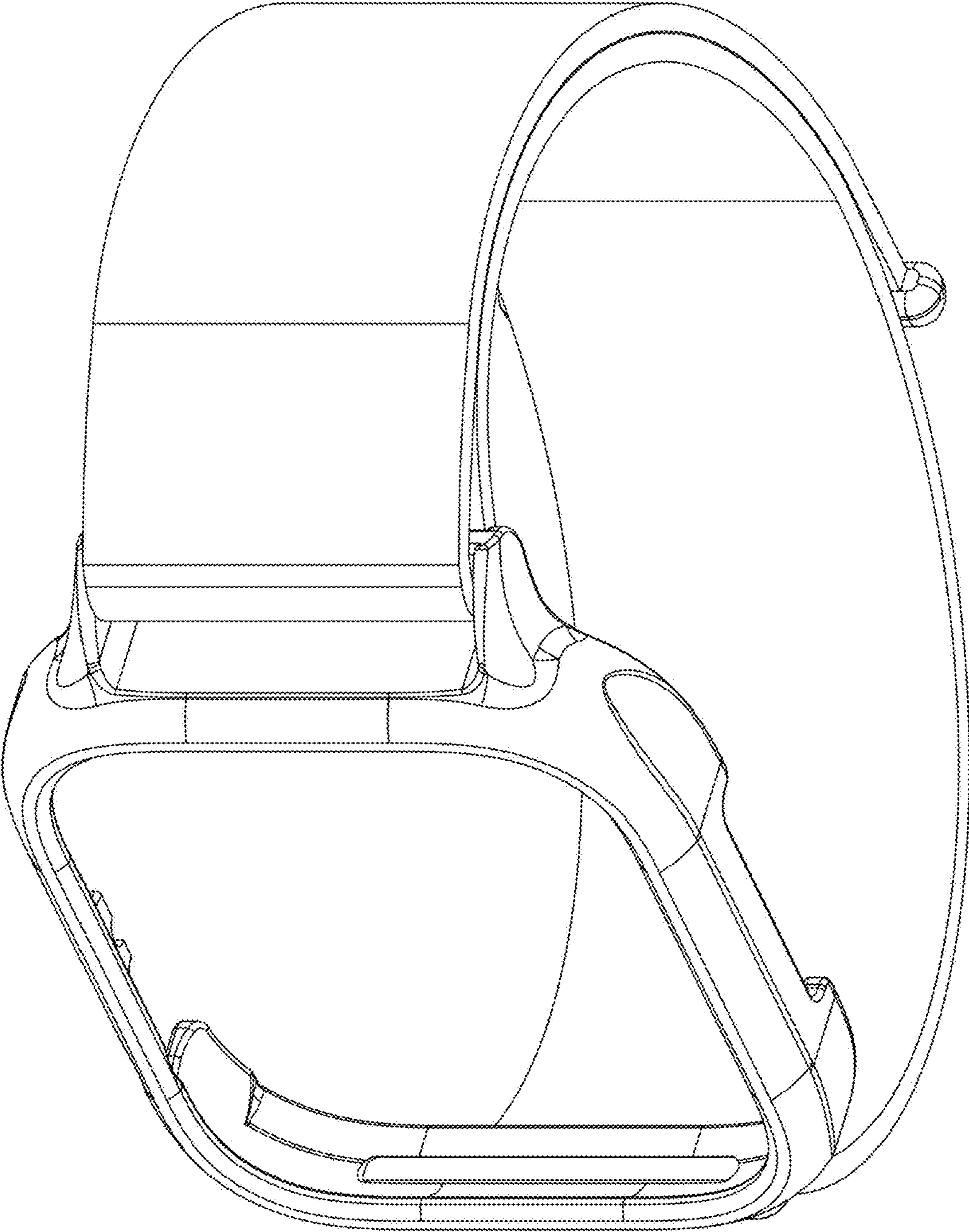


FIG. 1

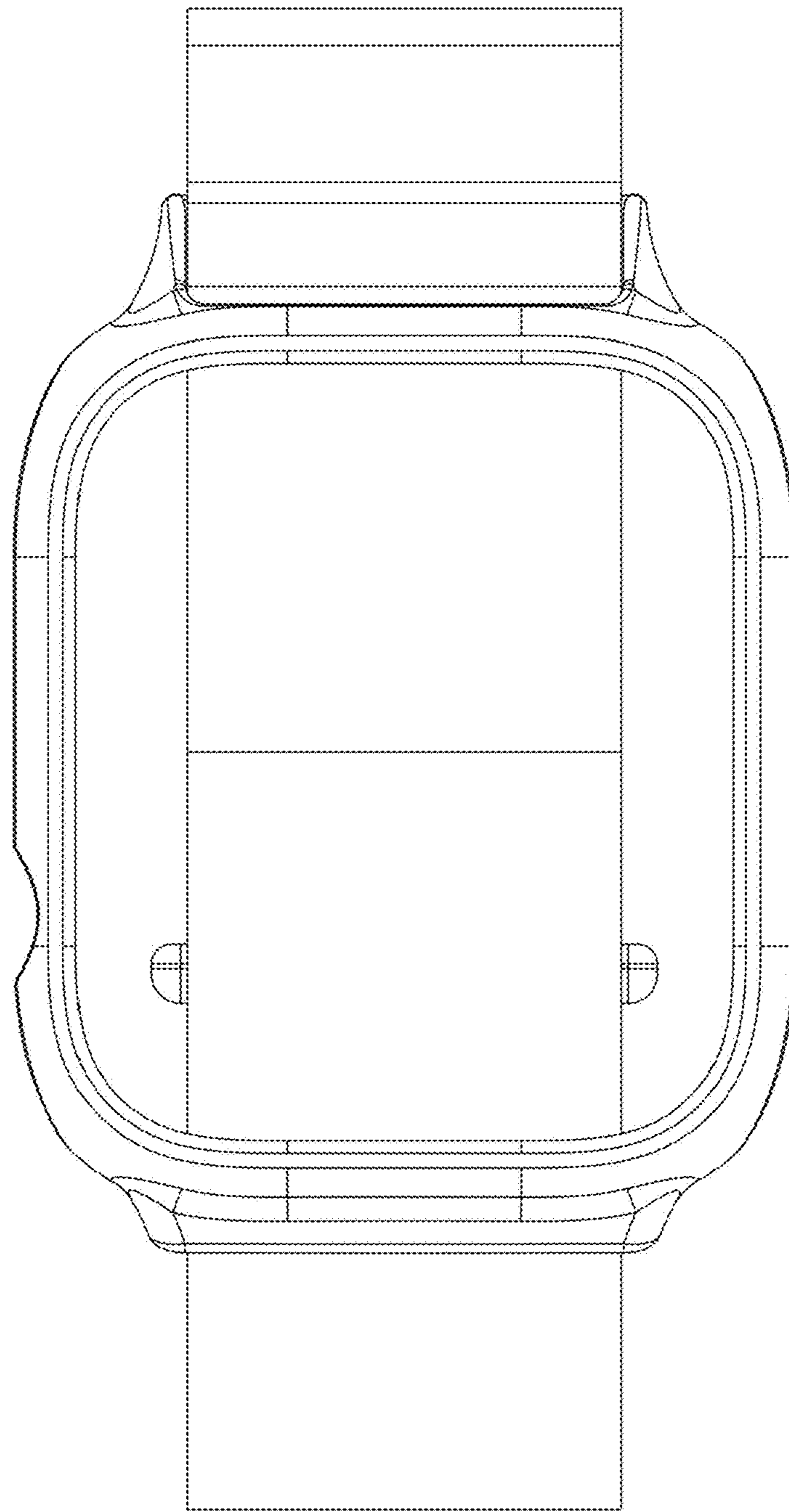


FIG. 2

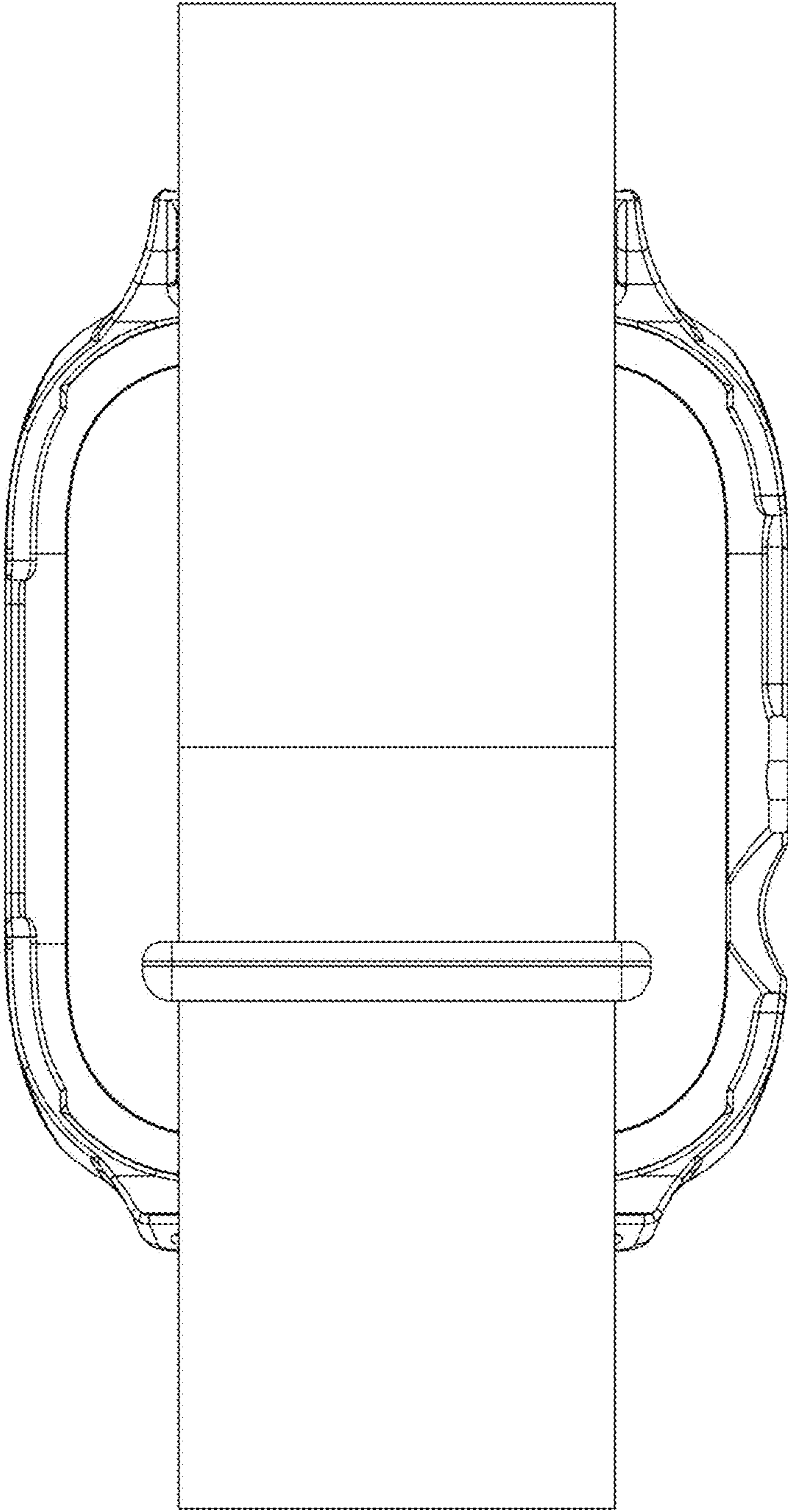


FIG. 3

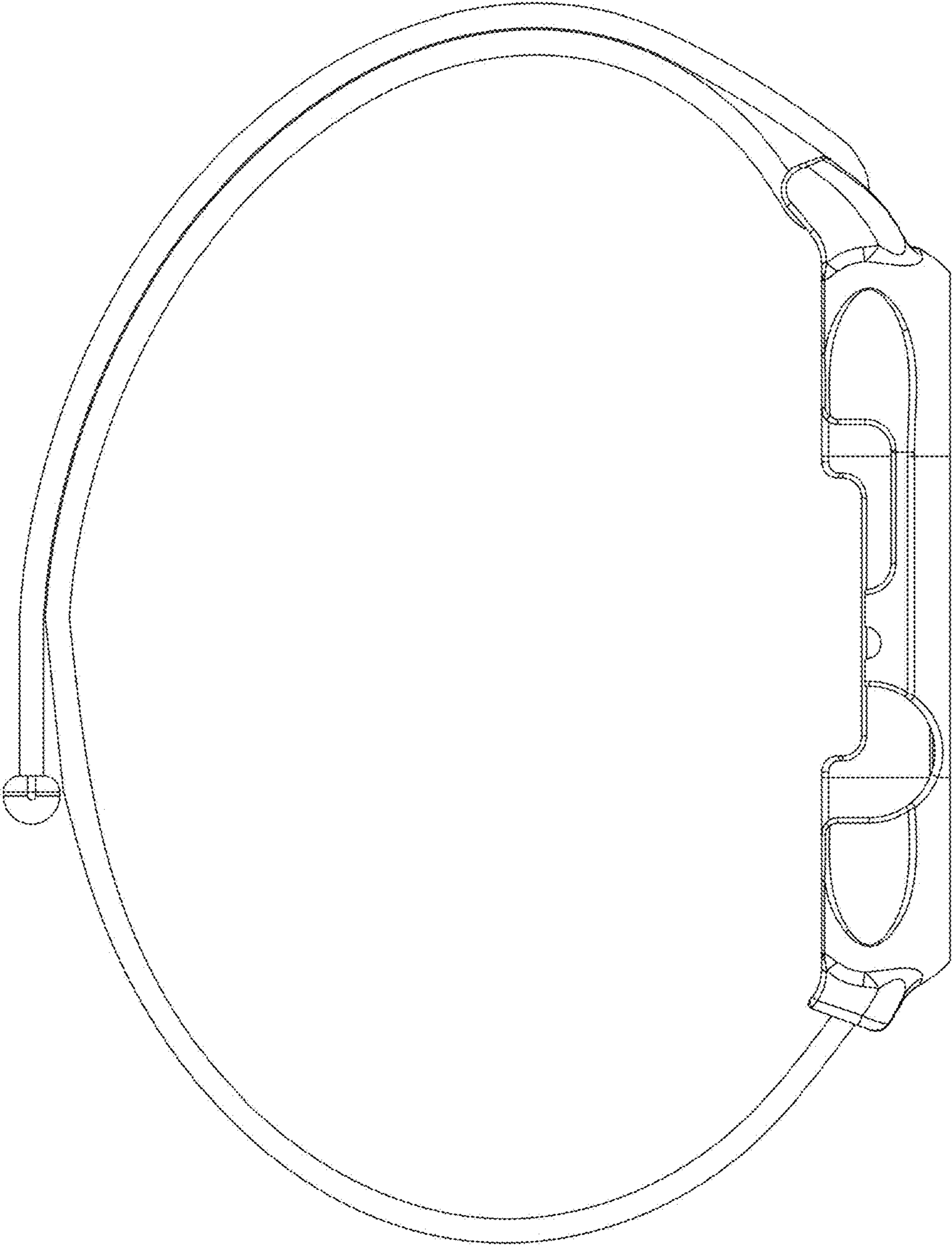


FIG. 4

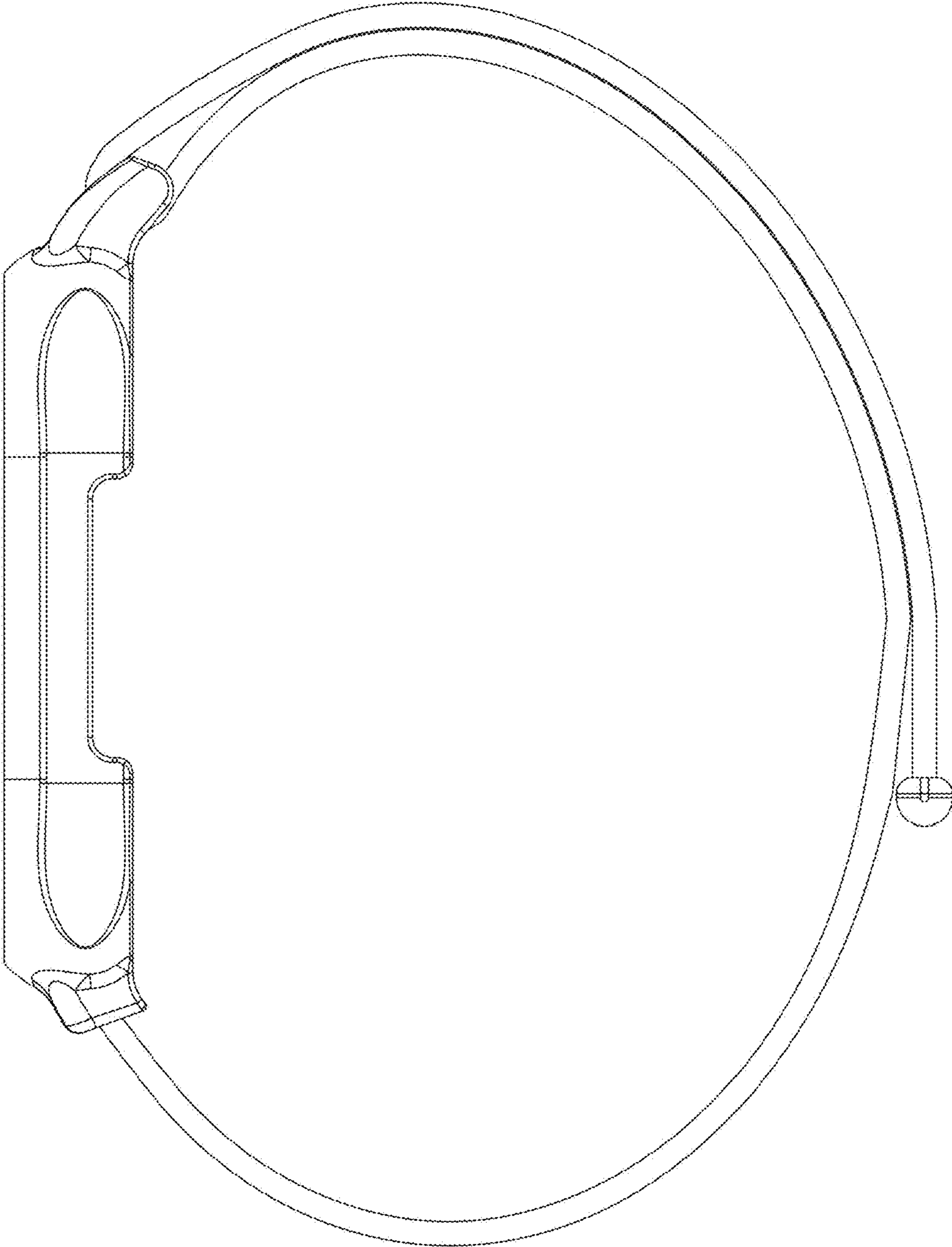


FIG. 5

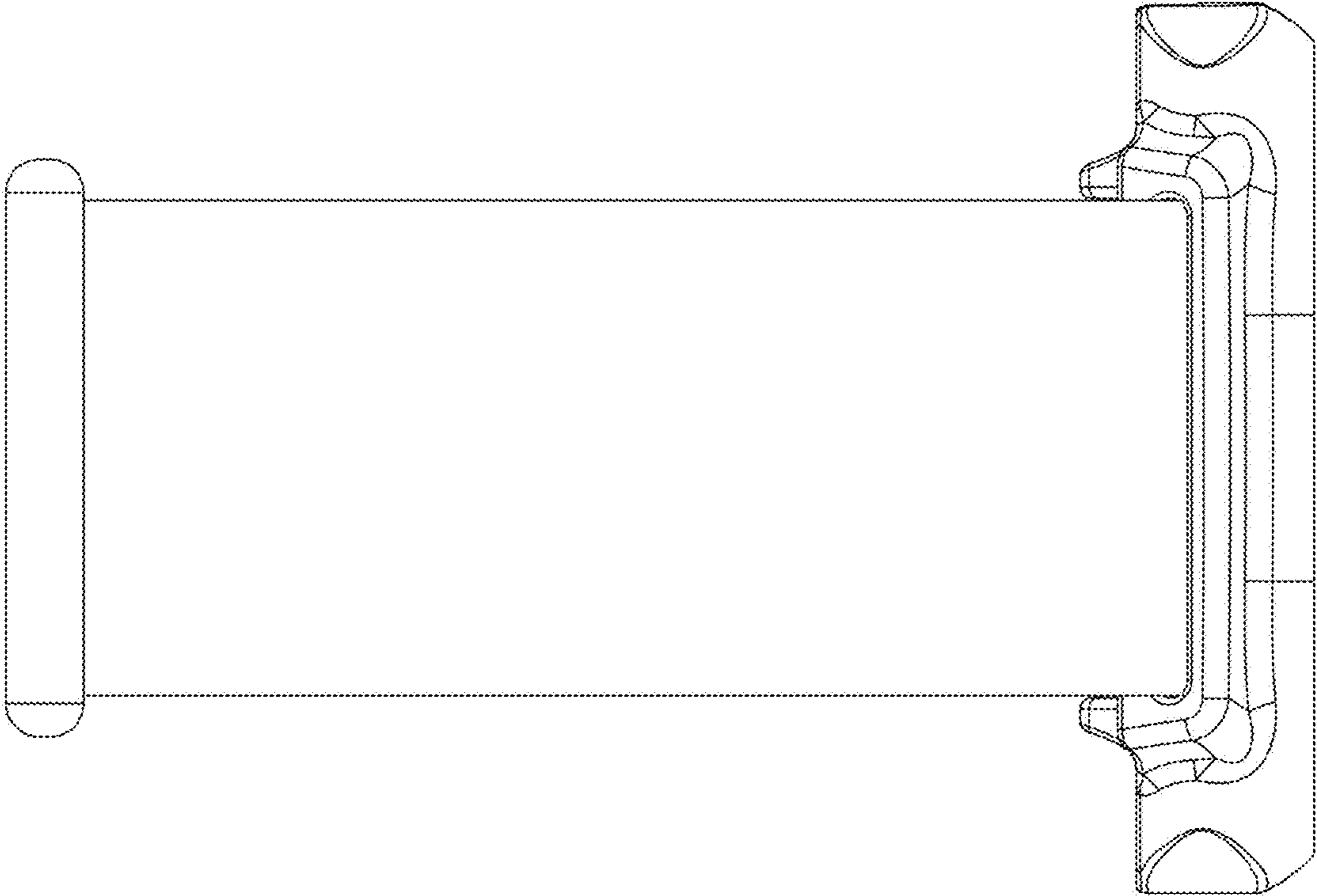


FIG. 6

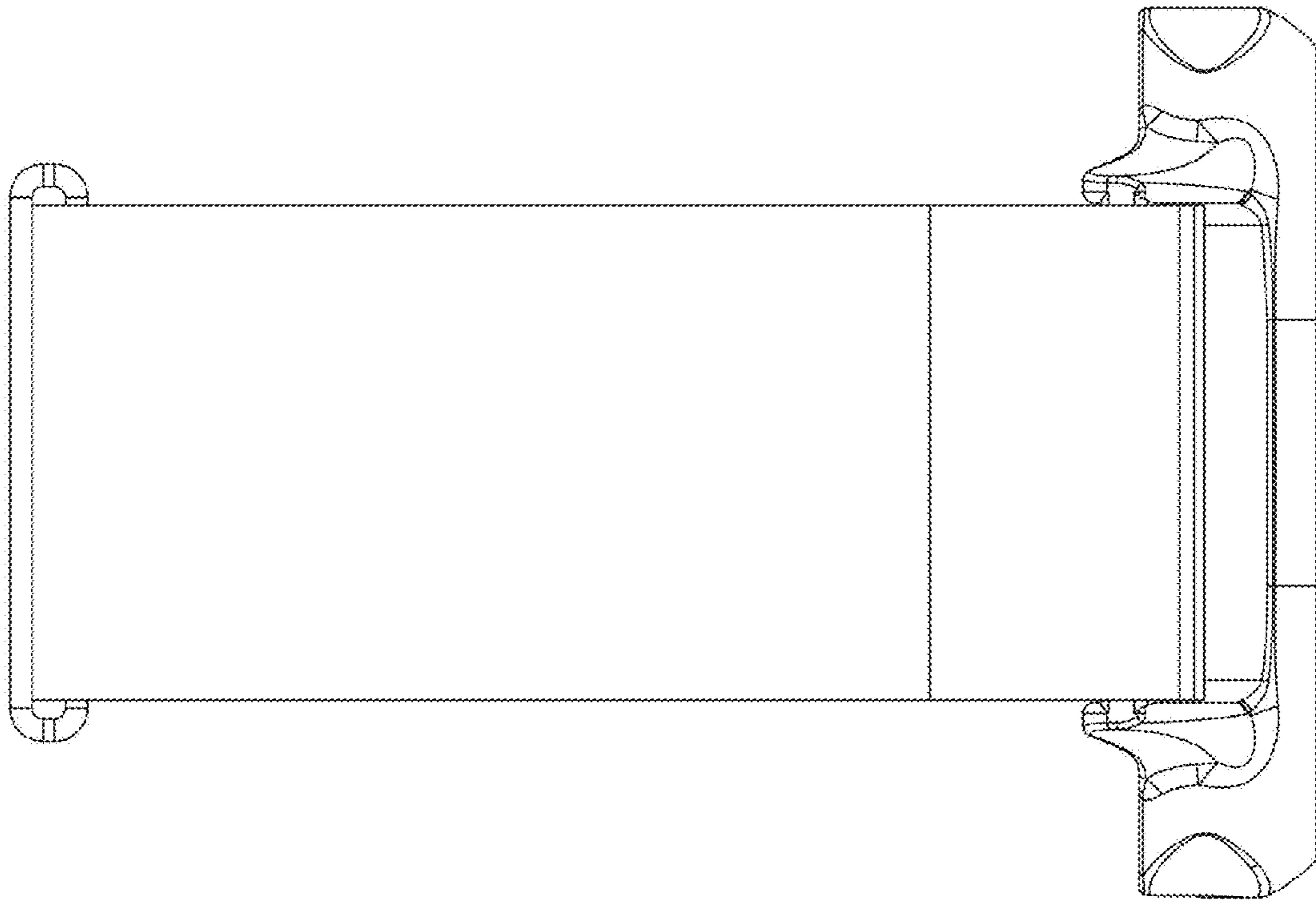


FIG. 7