



US00D897881S

(12) **United States Design Patent** (10) **Patent No.:** **US D897,881 S**
Ashton et al. (45) **Date of Patent:** **** Oct. 6, 2020**

(54) **COMBINED BRACELET AND PURSE HOOK**

(71) Applicants: **Nora L Ashton**, Redhead (AU); **Daniel J Ashton**, Redhead (AU)

(72) Inventors: **Nora L Ashton**, Redhead (AU); **Daniel J Ashton**, Redhead (AU)

(**) Term: **15 Years**

(21) Appl. No.: **29/710,545**

(22) Filed: **Oct. 24, 2019**

(51) **LOC (12) Cl.** **11-01**

(52) **U.S. Cl.**

USPC **D11/2**; D3/328; D6/315

(58) **Field of Classification Search**

USPC D11/1-6, 26, 27, 40, 42; D6/315, 323, D6/326, 328; D3/318, 322, 323, 324, D3/328, 356; D14/344

CPC A44C 15/003; A44C 5/00; A44C 5/0007; A44C 5/0038; A44C 5/0084; A44C 5/0092; A44C 5/12; A44C 5/2019; A44C 5/2023; A44C 5/2033; A44C 5/2052; A44C 5/2066; A44C 5/2076; A44C 9/00; A44C 9/0038; A44C 9/0046; A44C 9/0053; A44C 9/0061; A44C 9/0084; A47G 29/083

See application file for complete search history.

(56) **References Cited**

U.S. PATENT DOCUMENTS

486,256	A *	11/1892	Leehey et al.	E05B 67/003
					63/3
692,584	A *	2/1902	Adams et al.	B42F 3/04
					D11/4
D115,439	S *	6/1939	Beaupre	D11/5
2,164,197	A *	6/1939	Beaupre	A44C 5/12
					63/7
4,118,001	A *	10/1978	Serkez	A47G 29/083
					24/601.5
4,194,714	A *	3/1980	Schultz	A45C 15/00
					248/308
4,210,302	A *	7/1980	Serkez	A47G 29/083
					248/205.1

(Continued)

OTHER PUBLICATIONS

Clipa Abbie Product, for sale since at least Mar. 8, 2011, online. Site visited on Jan. 30, 2020. Internet URL: <"https://web.archive.org/web/20110308015803/http://www.clipa.us/cgi-bin/commerce.cgi?preadd=action&key=1106"> (Year: 2011).*

(Continued)

Primary Examiner — Llorellys Martinez

(74) *Attorney, Agent, or Firm* — The Keys Law Firm PLLC

(57) **CLAIM**

The ornamental design for a combined bracelet and purse hook, as shown and described.

DESCRIPTION

FIG. 1 is a top perspective view a combined bracelet and purse hook showing my new design in an open configuration;

FIG. 2 is a bottom perspective view thereof in a closed configuration;

FIG. 3 is a top plan view thereof in an open configuration; FIG. 4 is a bottom plan view thereof in a closed configuration;

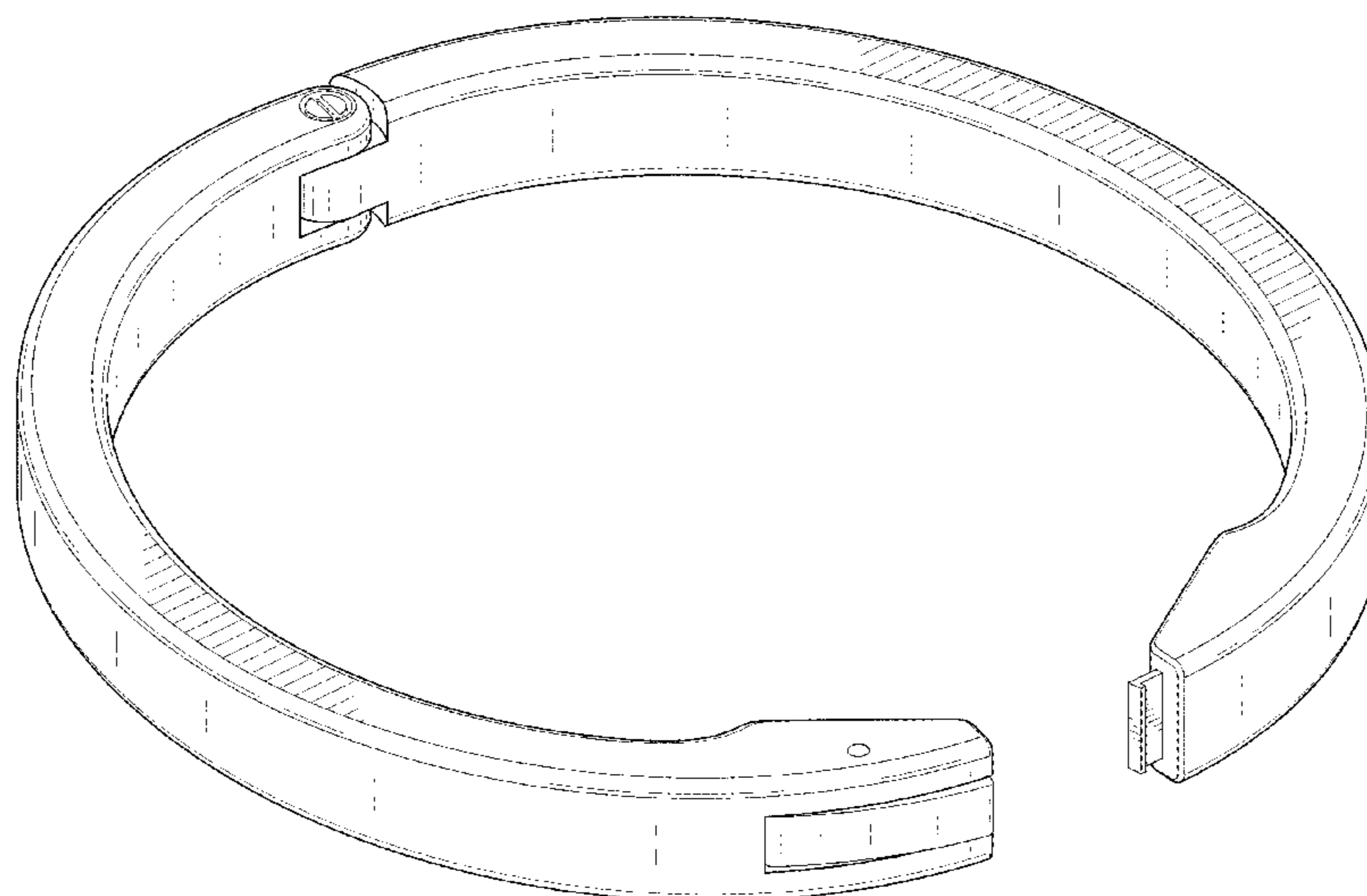
FIG. 5 is a side elevational view thereof in an open configuration;

FIG. 6 is another side elevational view thereof in a closed configuration, showing the side opposite to that shown in FIG. 5;

FIG. 7 is a front elevational view thereof in an open configuration; and,

FIG. 8 is a rear elevational view thereof in a closed configuration.

1 Claim, 6 Drawing Sheets



(56)

References Cited

U.S. PATENT DOCUMENTS

4,924,562 A * 5/1990 Pogharian A44C 5/2052
24/647
5,136,858 A * 8/1992 Bruner A44C 9/0046
24/650
5,186,023 A * 2/1993 Goldberg A44C 9/0038
63/15.5
D352,253 S 11/1994 Tortolano, Jr.
D371,980 S 7/1996 Gardner
D405,381 S * 2/1999 Perrin D11/4
6,125,657 A * 10/2000 Esposito A44C 7/00
24/598.2
D442,508 S * 5/2001 Torres D11/4
D456,296 S 4/2002 Ambar
6,370,914 B1 * 4/2002 Bruner A44C 9/0046
63/15
6,843,072 B1 * 1/2005 Lau A44C 7/00
24/629
D515,450 S 2/2006 Schiesl-Griesinger
7,107,789 B1 * 9/2006 Bruner A44C 9/0046
63/15
D588,444 S * 3/2009 Shamlan D8/367
7,661,644 B1 * 2/2010 Yen A47G 29/083
248/304
7,837,171 B1 * 11/2010 Otake A47G 29/083
248/339
7,845,077 B1 * 12/2010 Alulis A44C 9/0046
264/296
D642,045 S 7/2011 Sweeney
8,083,202 B1 * 12/2011 Hutchison A47G 29/083
248/691
D653,149 S * 1/2012 Behar D11/5
8,225,626 B1 * 7/2012 Blau G09F 3/005
D11/3
8,534,626 B1 * 9/2013 Freese A47G 29/083
248/305
D708,446 S * 7/2014 Goodman D6/323
D708,447 S * 7/2014 Goodman D6/323
D726,572 S 4/2015 Walters et al.
9,273,718 B2 3/2016 Fathi
D771,869 S 11/2016 Dulien
9,526,366 B1 * 12/2016 Kempshall A47G 29/083
D781,684 S 3/2017 Sweeney
D782,822 S * 4/2017 Serrano D3/318
D788,627 S * 6/2017 Park D11/5
D830,218 S 10/2018 Silvestri
D832,131 S 10/2018 Hu
10,349,704 B2 * 7/2019 Sharp A44C 1/00
10,448,770 B1 * 10/2019 Kempshall A47G 29/083

D871,075 S * 12/2019 Cooke A45C 1/02
D3/318
2006/0048357 A1 * 3/2006 Alulis A44C 9/0046
29/8
2008/0042032 A1 * 2/2008 Yap A47G 29/083
248/304
2008/0083862 A1 * 4/2008 Salatka A47G 29/083
248/308
2009/0217497 A1 * 9/2009 Lans A47G 29/083
24/499
2010/0000257 A1 1/2010 Sweeney
2010/0071413 A1 * 3/2010 Shamlan A44C 5/12
63/1.12
2010/0078541 A1 * 4/2010 Fathi A47G 29/083
248/339
2010/0122554 A1 * 5/2010 Bak A44C 7/00
63/12
2011/0056241 A1 * 3/2011 Li A44C 7/00
63/12
2012/0248272 A1 * 10/2012 Ho A47G 29/083
248/231.51
2012/0273640 A1 * 11/2012 Fathi A47G 29/083
248/316.5
2012/0318019 A1 * 12/2012 Cho A44C 5/0092
63/3.2
2013/0277524 A1 * 10/2013 Fathi A47G 29/083
248/308
2013/0305779 A1 * 11/2013 Gallagher A44C 9/0038
63/3.1
2014/0317892 A1 * 10/2014 Yoo A47G 29/083
24/346
2016/0198813 A1 * 7/2016 Fiedler A44C 5/0007
224/183
2016/0369945 A1 * 12/2016 Alcini A47G 29/08
2018/0084935 A1 * 3/2018 Schwab A47G 29/083
2018/0092483 A1 * 4/2018 Dave A47G 29/083
2019/0045890 A1 * 2/2019 Garcia A44C 9/0046
2019/0174881 A1 * 6/2019 Hung A44C 5/0015
2020/0208676 A1 * 7/2020 Fathi A47G 29/083

OTHER PUBLICATIONS

Clipa2, Amazon.com, earliest review Sep. 16, 2016, online. Site visited Jan. 30, 2020. Internet URL:<"https://www.amazon.com/stores/node/6207405011?_encoding=UTF8&field-lbr_brands_browser-bin=Clipa&ref_=w_bl_sl_ap_sh_web_6207405011"> (Year: 2016).* Aurielle Company page, Youtube.com, published Dec. 4, 2019, online. Internet URL:<"https://www.youtube.com/watch?v=0u4qSKWz_o0"> (Year: 2019).*

* cited by examiner

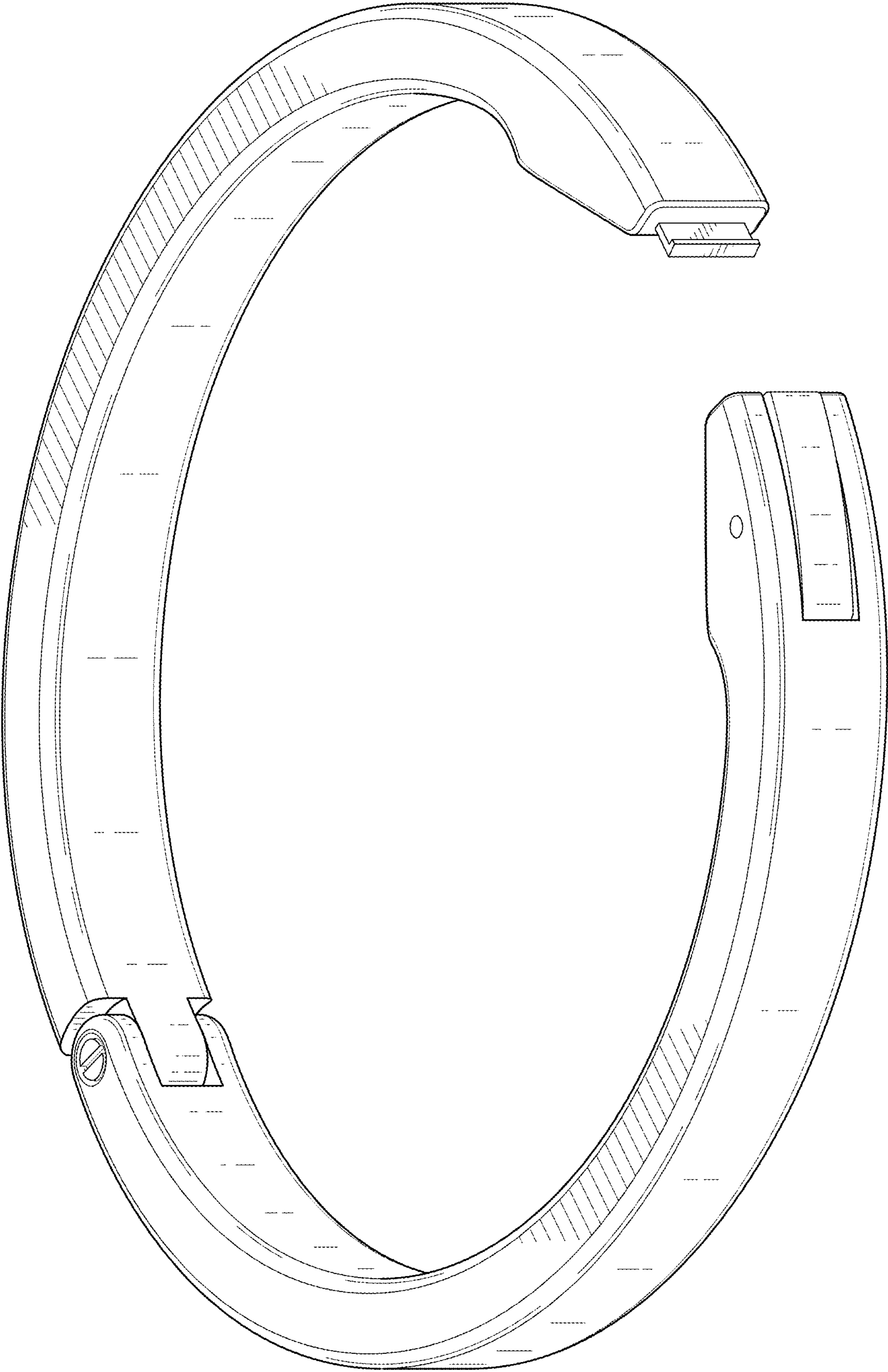


FIG. 1

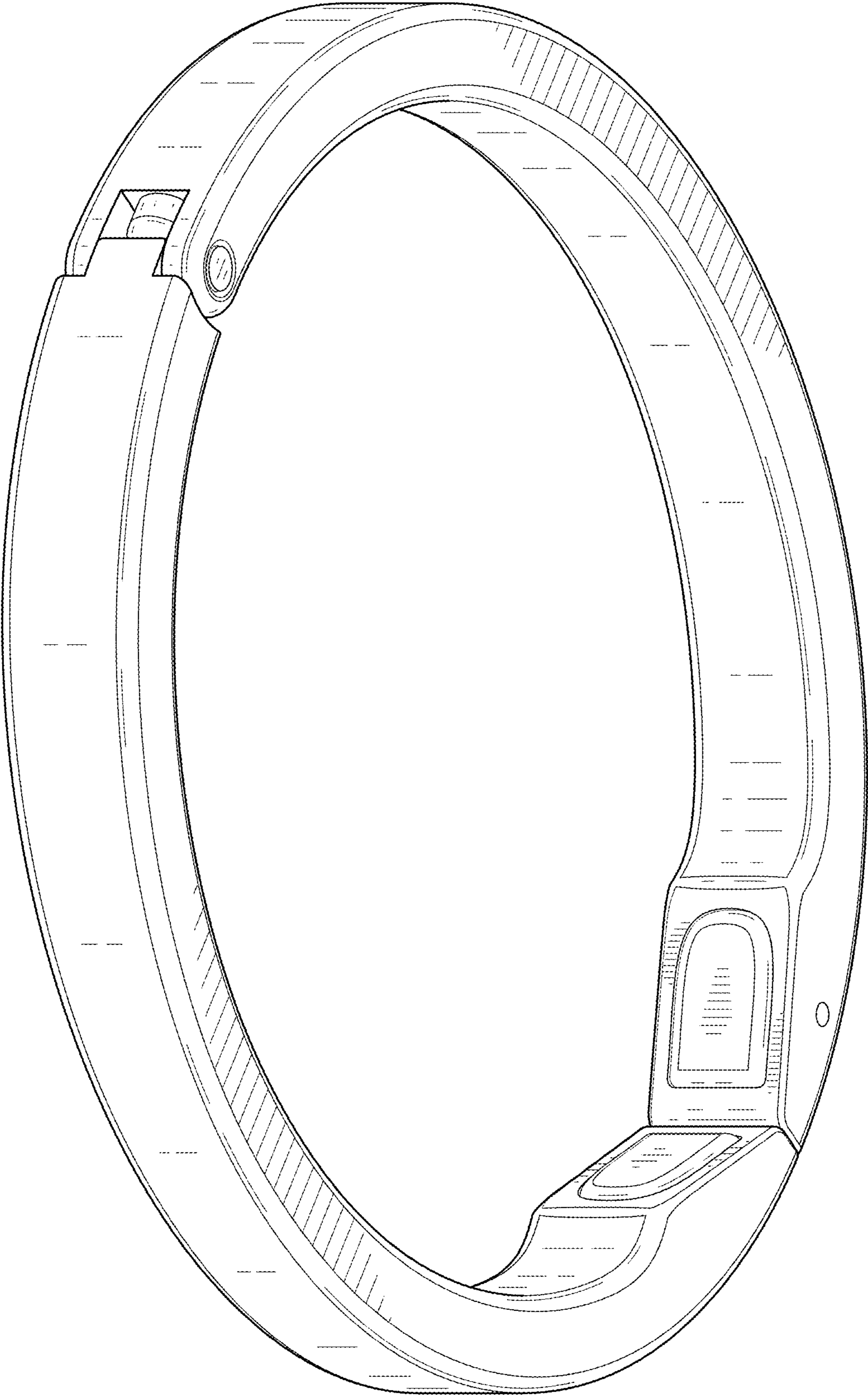


FIG. 2

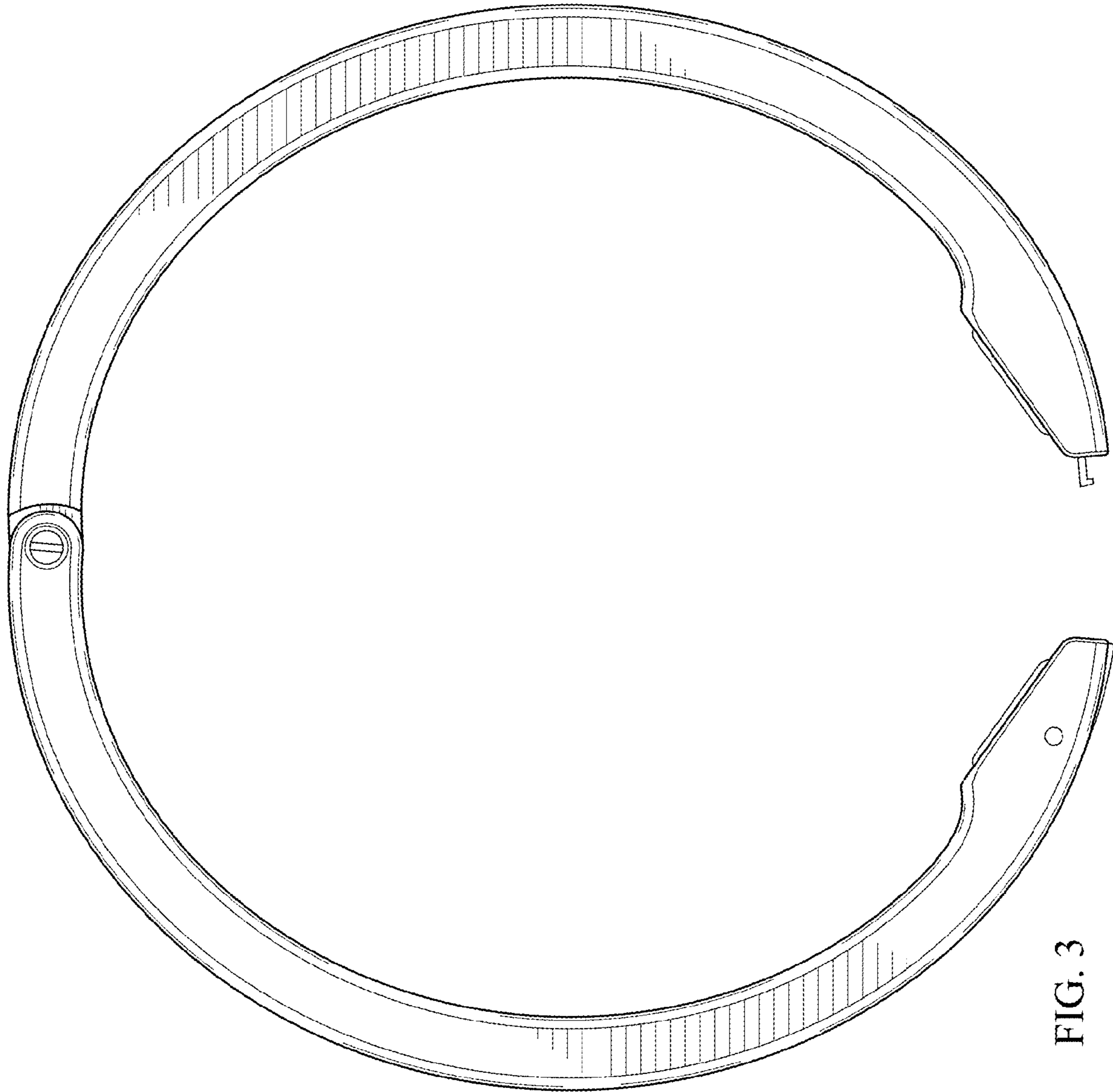


FIG. 3

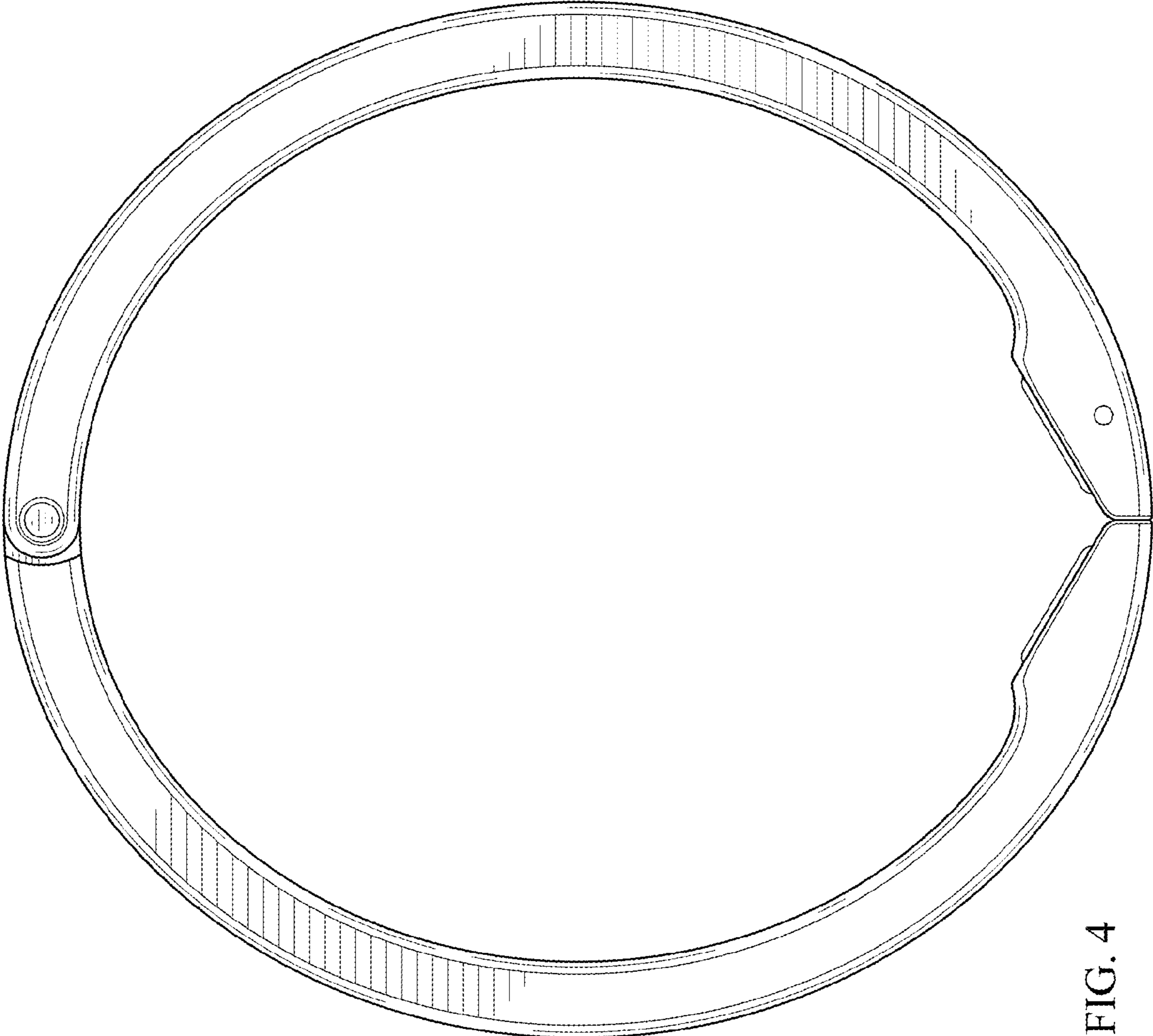


FIG. 4

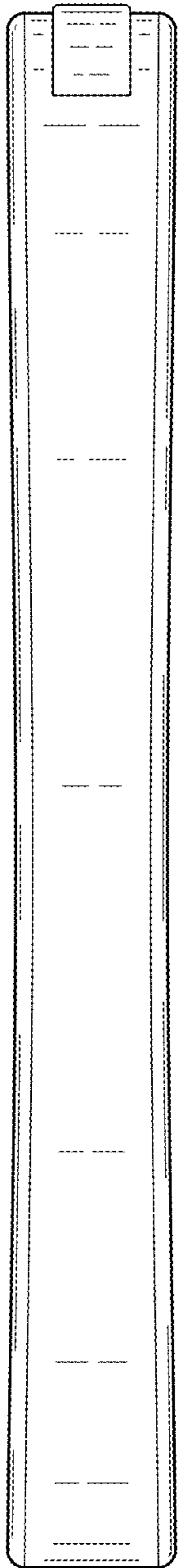


FIG. 5

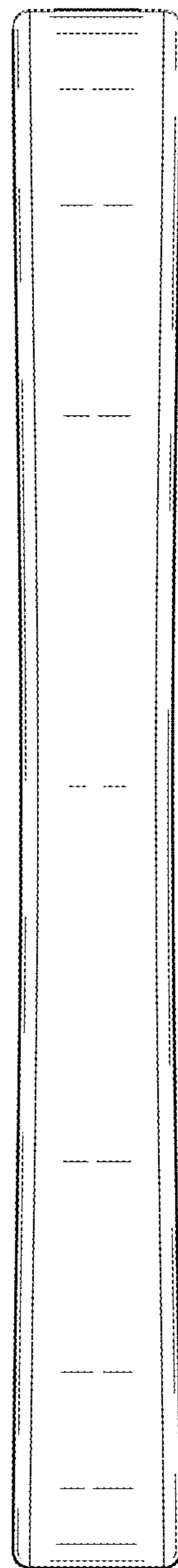


FIG. 6

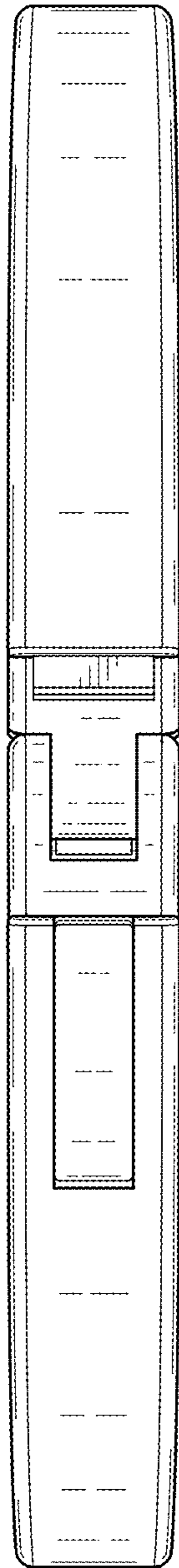


FIG. 7

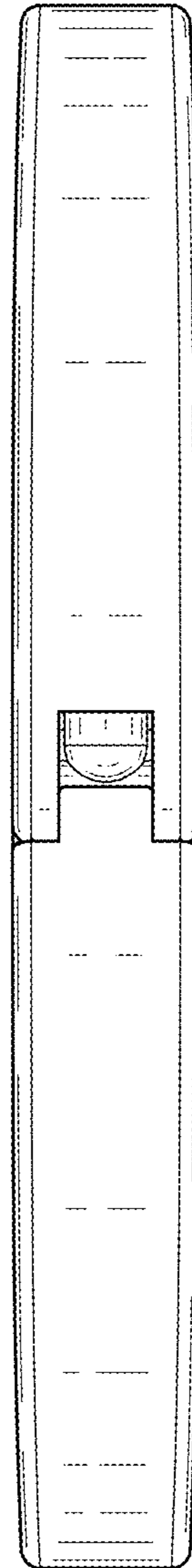


FIG. 8