

US00D897878S

(12) **United States Design Patent**  
**Lian**

(10) **Patent No.:** **US D897,878 S**

(45) **Date of Patent:** **\*\* Oct. 6, 2020**

(54) **DOORBELL**

(71) Applicant: **Shenzhen Yingrunjia Electronics Co., Ltd.**, Shenzhen (CN)

(72) Inventor: **Xianhui Lian**, Wenling (CN)

(73) Assignee: **Shenzhen Yingrunjia Electronics Co., Ltd.**, Shenzhen (CN)

(\*\*) Term: **15 Years**

(21) Appl. No.: **29/691,821**

(22) Filed: **May 20, 2019**

(30) **Foreign Application Priority Data**

Nov. 22, 2018 (CN) ..... 2018 3 0665747

(51) **LOC (12) Cl.** ..... **10-05**

(52) **U.S. Cl.**  
USPC ..... **D10/118.2**

(58) **Field of Classification Search**  
USPC ..... D10/104.1, 108, 116.1, 118, 118.2,  
D10/121-126; D16/202, 203, 208, 209,  
D16/215  
CPC ... G08B 3/00; G08B 3/10; G08B 7/00; G08B  
7/06; G08B 13/1436; G08B 13/1463;  
G08B 13/1481  
See application file for complete search history.

(56) **References Cited**

**U.S. PATENT DOCUMENTS**

D764,958 S \* 8/2016 Scalisi ..... D10/118.2  
D765,530 S \* 9/2016 Scalisi ..... D10/118.2  
D787,359 S \* 5/2017 Scalisi ..... D10/118.2  
D793,268 S \* 8/2017 Ye ..... D10/118.2  
D798,177 S \* 9/2017 Siminoff ..... D10/118.2  
D813,700 S \* 3/2018 Scalisi ..... D10/118.2

D817,207 S \* 5/2018 Scalisi ..... D10/118.2  
D817,208 S \* 5/2018 Ravat ..... D10/118.2  
D820,136 S \* 6/2018 Scalisi ..... D10/118.2  
D828,200 S \* 9/2018 Ahman ..... D10/118.2  
D829,585 S \* 10/2018 Siminoff ..... D10/118.2  
D837,080 S \* 1/2019 Siminoff ..... D10/118.2  
D842,156 S \* 3/2019 Hanna ..... D10/118.2  
D848,300 S \* 5/2019 Siminoff ..... D10/118.2  
D853,265 S \* 7/2019 Grearson ..... D10/118.2  
D858,338 S \* 9/2019 Yu ..... D10/118.2  
D859,200 S \* 9/2019 Siminoff ..... D10/118.2  
D860,029 S \* 9/2019 Yang ..... D10/118.2  
D868,612 S \* 12/2019 Ahman ..... D10/118.2

\* cited by examiner

*Primary Examiner* — George D. Kirschbaum

*Assistant Examiner* — Joseph J Kukella

(74) *Attorney, Agent, or Firm* — Muncy, Geissler, Olds & Lowe, P.C.

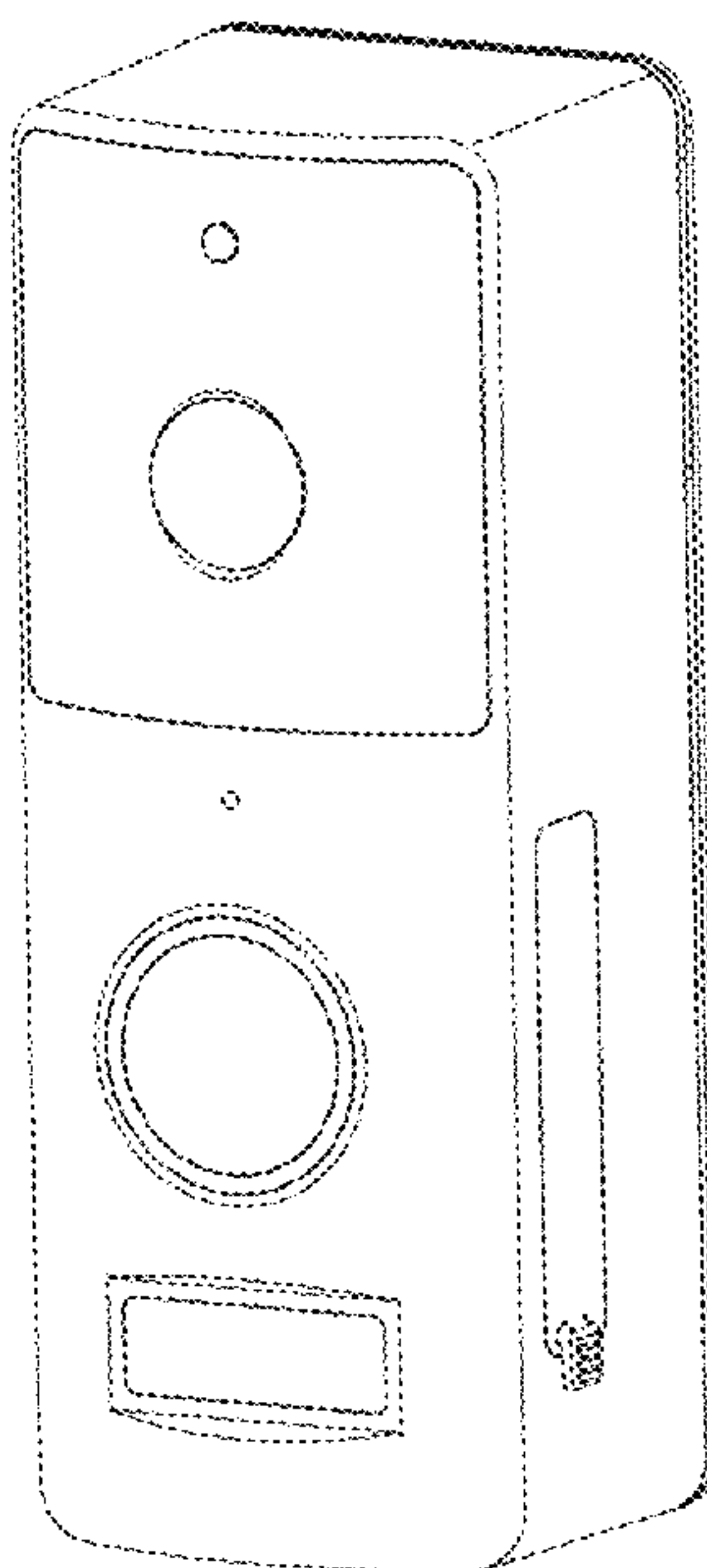
(57) **CLAIM**

The ornamental design for a doorbell, as shown and described.

**DESCRIPTION**

FIG. 1 is a front elevational view of a doorbell showing my new design;  
FIG. 2 is a rear elevational view thereof;  
FIG. 3 is a left side view thereof;  
FIG. 4 is a right side view thereof;  
FIG. 5 is a top plan view thereof;  
FIG. 6 is a bottom plan view thereof;  
FIG. 7 is a perspective view thereof; and,  
FIG. 8 is an another Perspective view from bottom side thereof.  
The broken lines in the drawing depict portions of the doorbell that form no part of the claimed design.

**1 Claim, 8 Drawing Sheets**



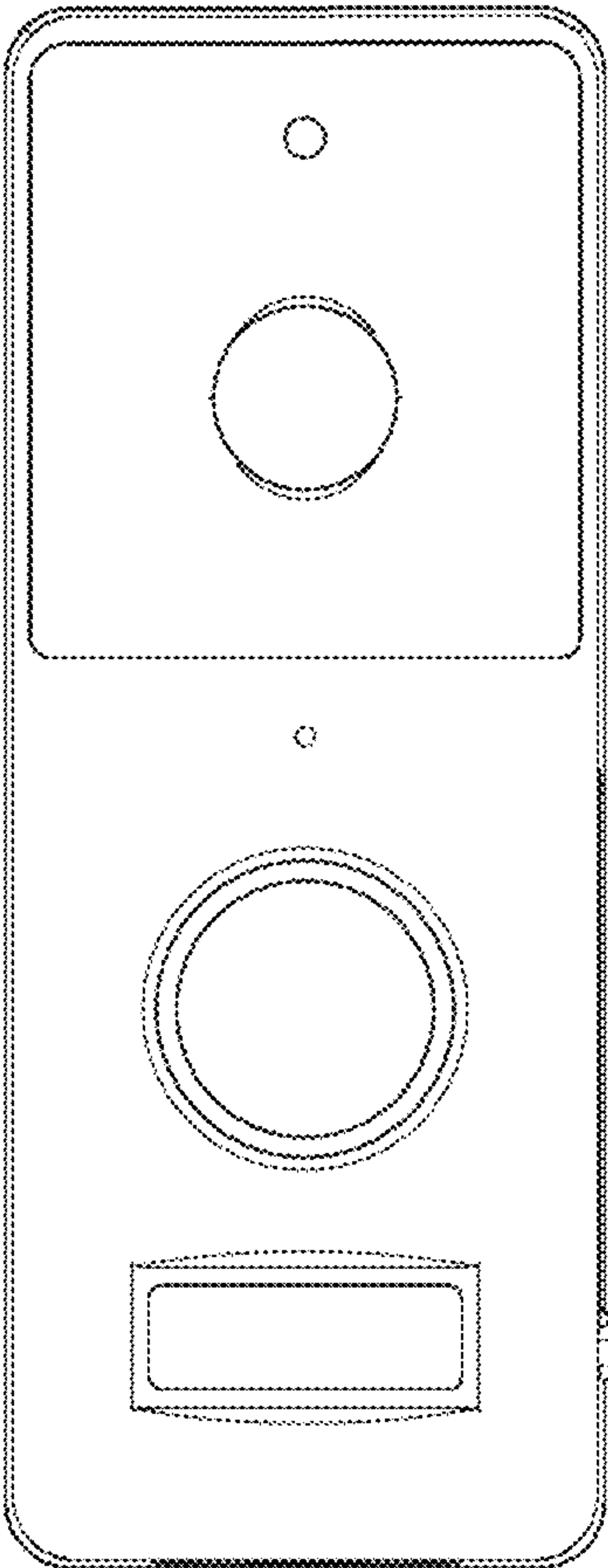


FIG. 1

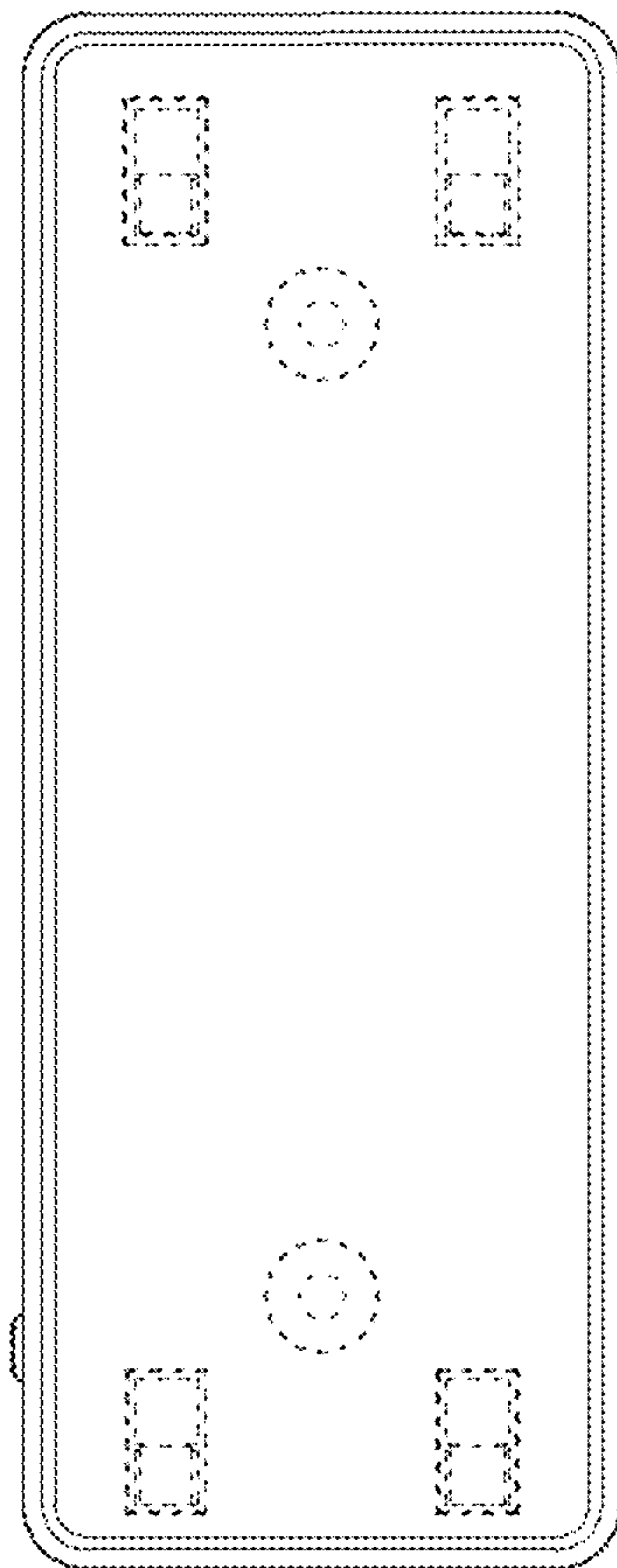


FIG. 2

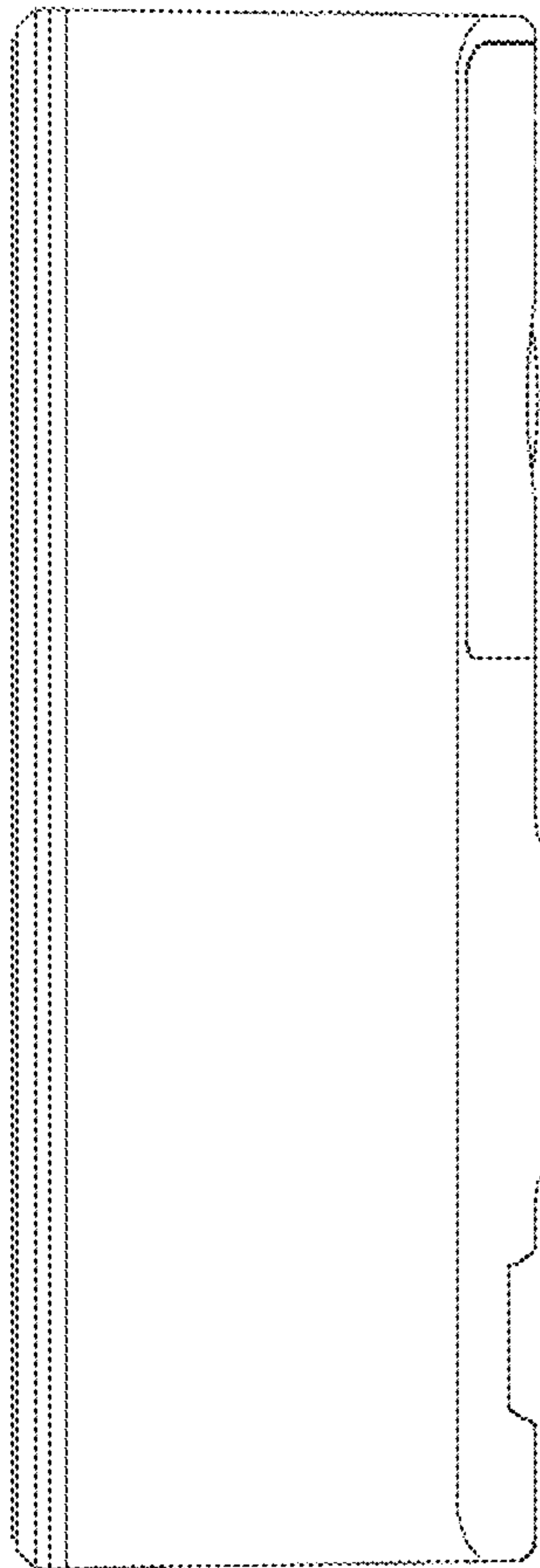


FIG. 3

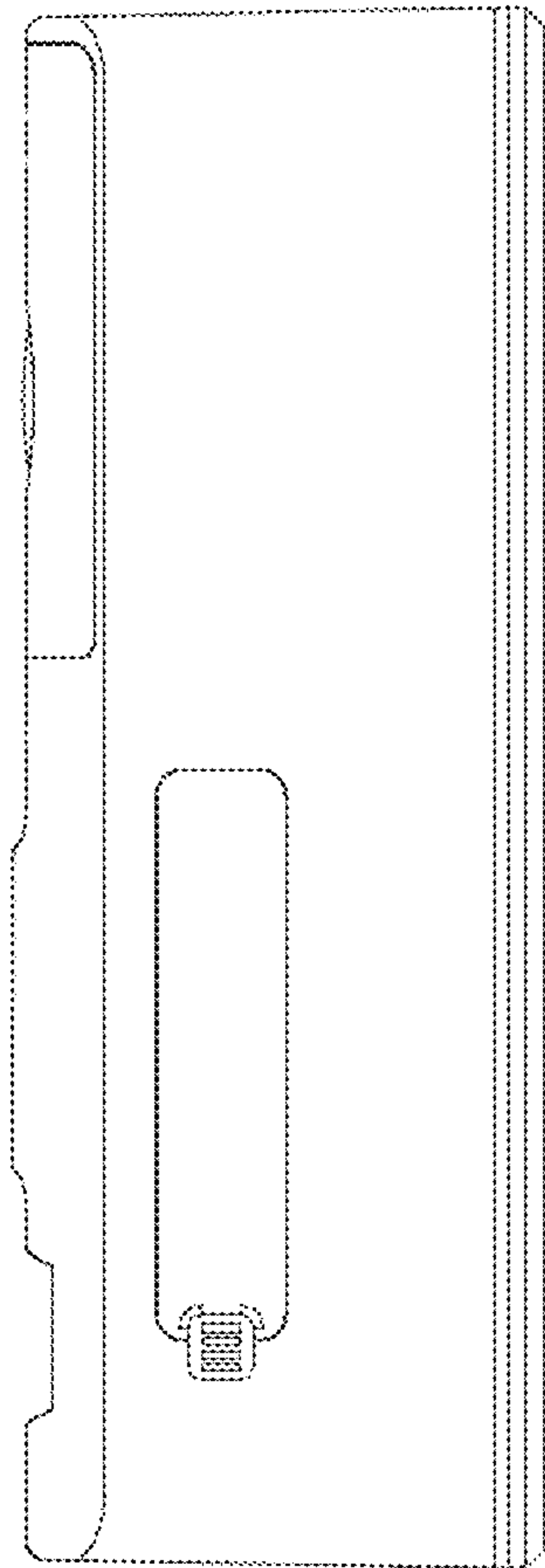


FIG. 4

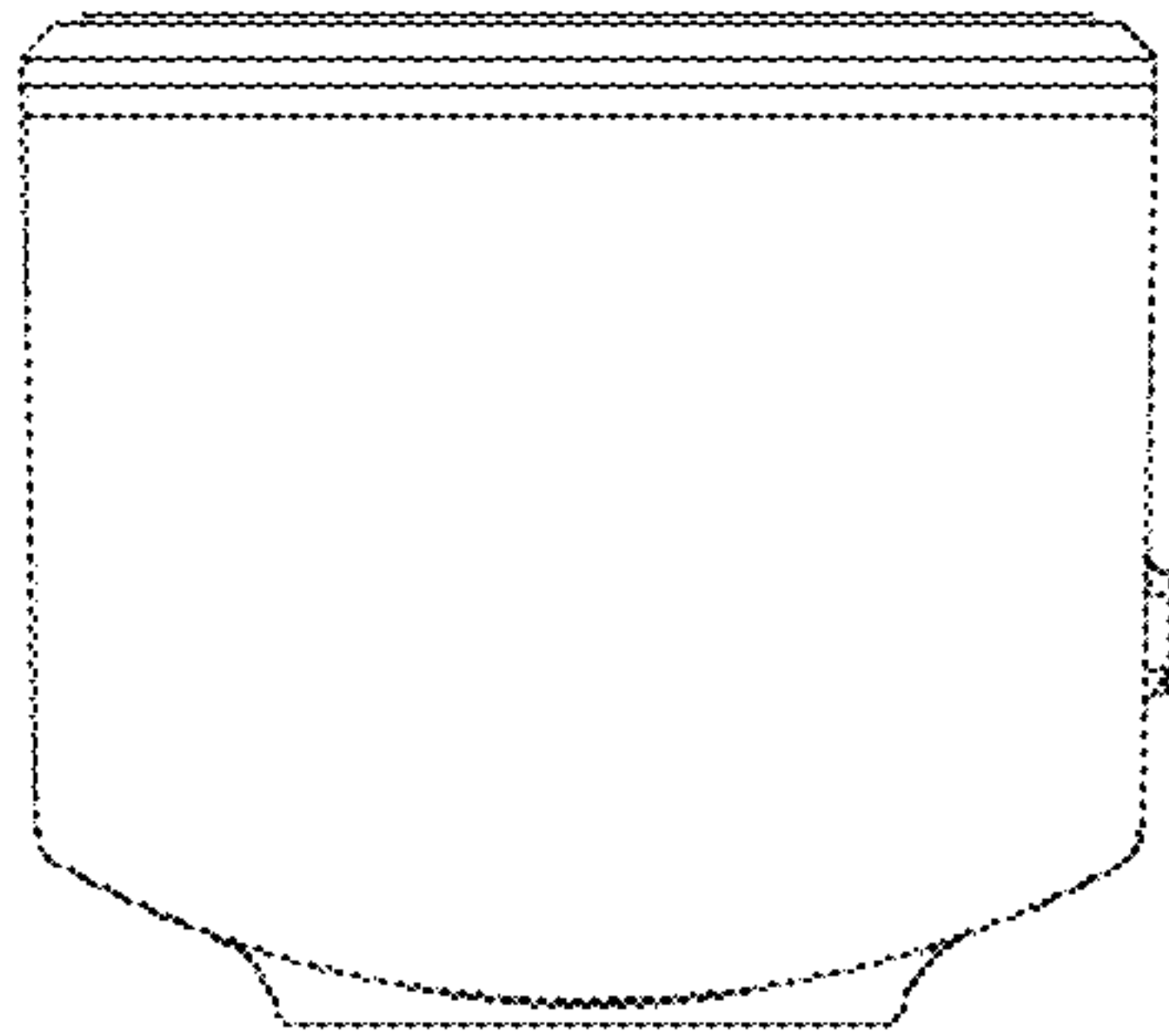


FIG. 5

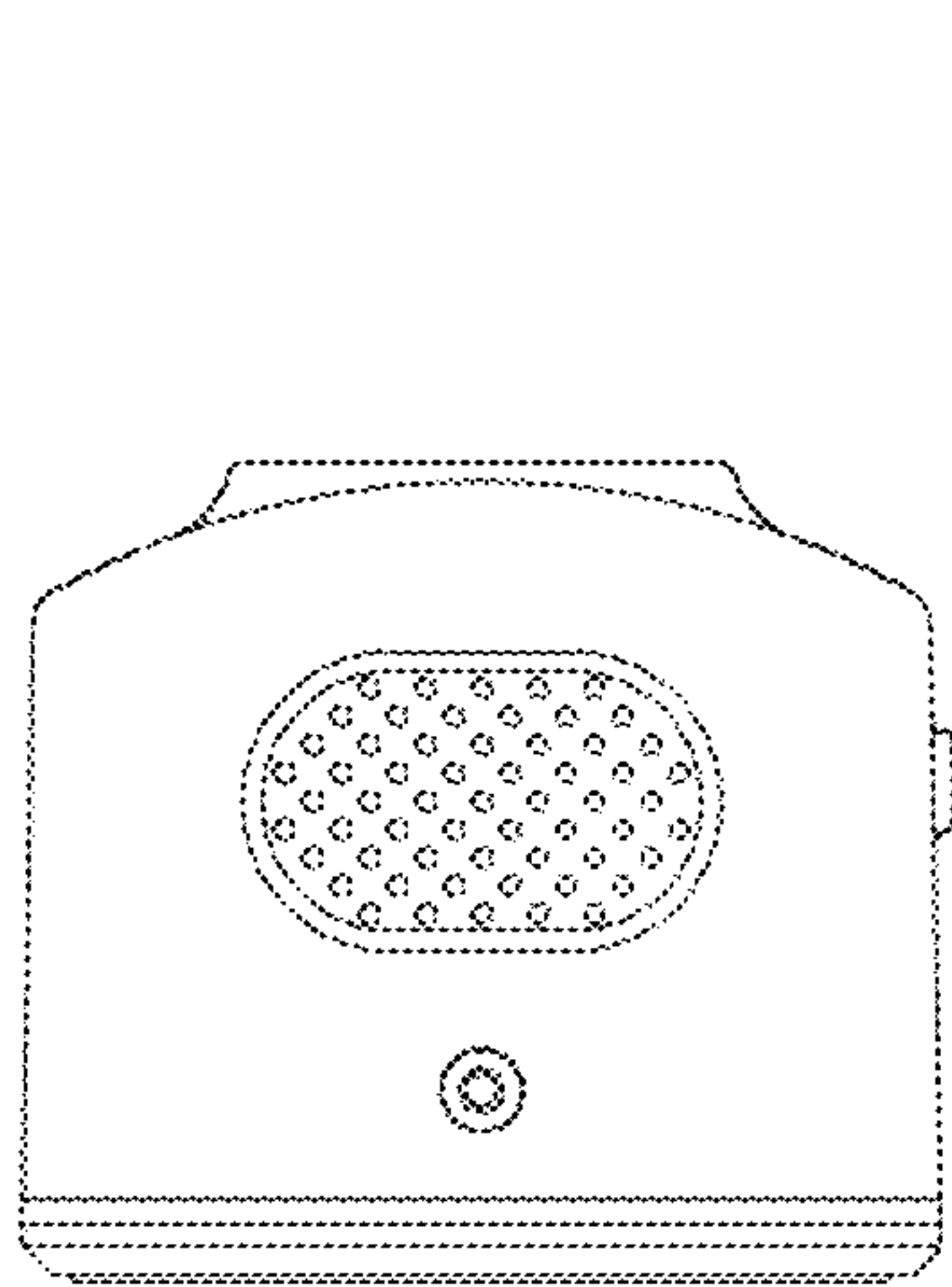


FIG. 6

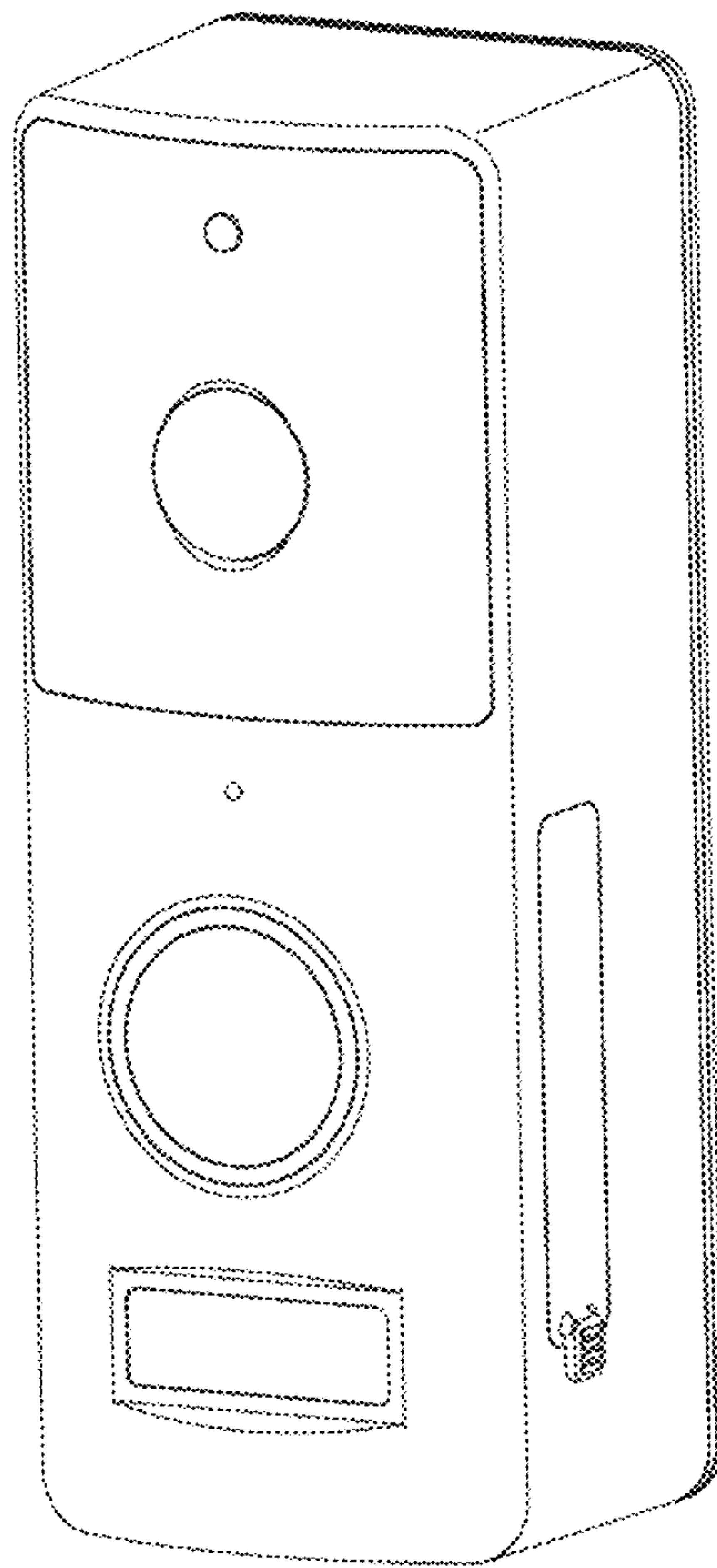


FIG. 7



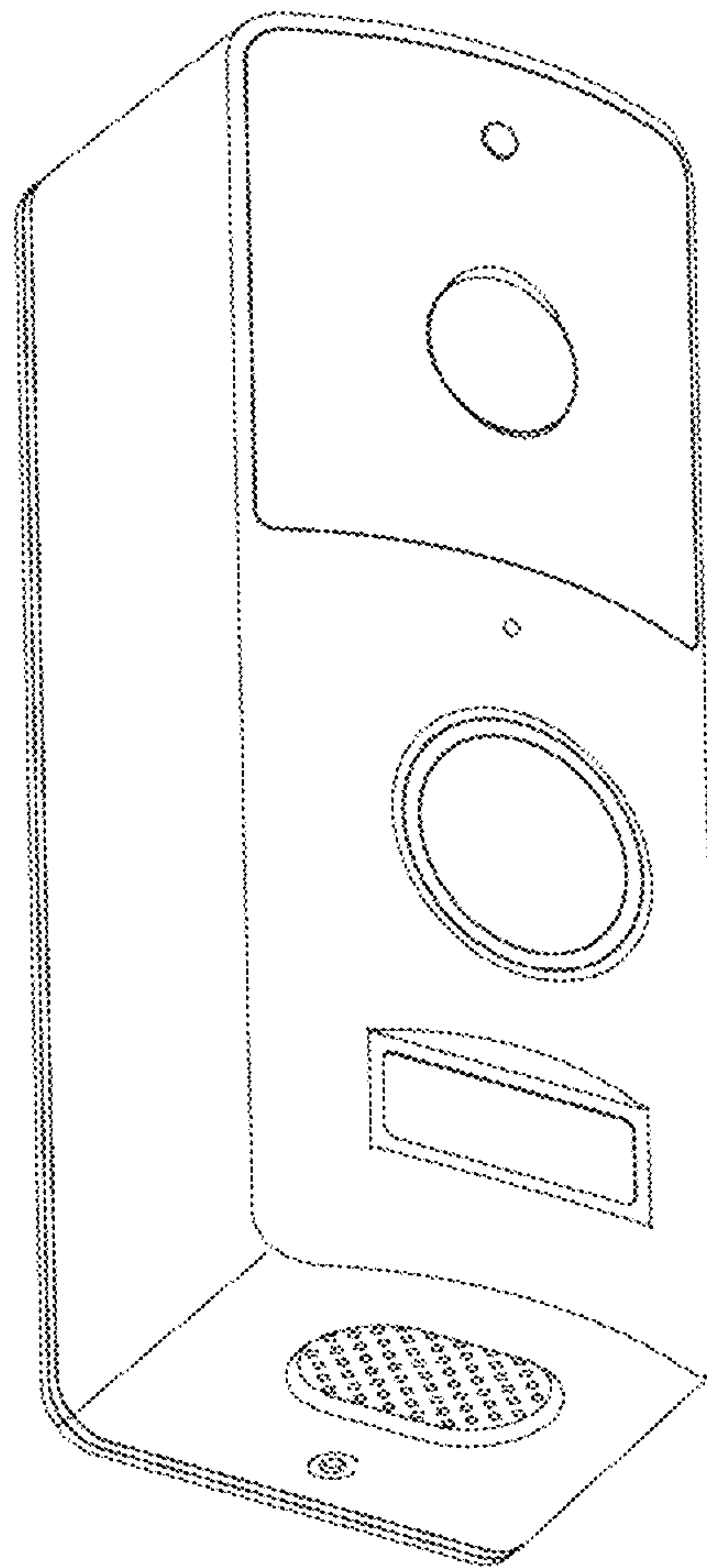


FIG. 8