



US00D897877S

(12) **United States Design Patent**
Yang

(10) **Patent No.:** **US D897,877 S**
(45) **Date of Patent:** **** Oct. 6, 2020**

(54) **WIRELESS DOORBELL RECEIVER**

(71) Applicant: **SHENZHEN QIAOHUA INDUSTRIES LIMITED**, Shenzhen (CN)

(72) Inventor: **Ruishi Yang**, Shenzhen (CN)

(**) Term: **15 Years**

(21) Appl. No.: **29/699,879**

(22) Filed: **Jul. 30, 2019**

(51) **LOC (12) Cl.** **10-05**

(52) **U.S. Cl.**
USPC **D10/118**

(58) **Field of Classification Search**
USPC D10/104.1, 108, 116.1, 118, 118.2,
D10/121-126; D14/204, 209, 209.1, 210,
D14/213, 215, 216; D16/202, 203, 208,
D16/209, 215
CPC ... G08B 3/00; G08B 3/10; G08B 7/00; G08B
7/06; G08B 13/1436; G08B 13/1463;
G08B 13/1481
See application file for complete search history.

(56) **References Cited**

U.S. PATENT DOCUMENTS

D700,166 S * 2/2014 Petersen D14/204
D713,381 S * 9/2014 Riggs D14/214
D730,755 S * 6/2015 Bould D10/53
D745,861 S * 12/2015 Kim D14/216

D793,263 S * 8/2017 Ye D10/118.2
D793,265 S * 8/2017 Ye D10/118.2
D794,488 S * 8/2017 Ye D10/118.2
D795,115 S * 8/2017 Parker D10/118.2
D857,660 S * 8/2019 Boyd D14/216
D865,715 S * 11/2019 Manz D14/216
D871,483 S * 12/2019 Chang D16/203
D874,629 S * 2/2020 Lee D23/366

* cited by examiner

Primary Examiner — George D. Kirschbaum

Assistant Examiner — Joseph J. Kukella

(74) *Attorney, Agent, or Firm* — HYIP

(57) **CLAIM**

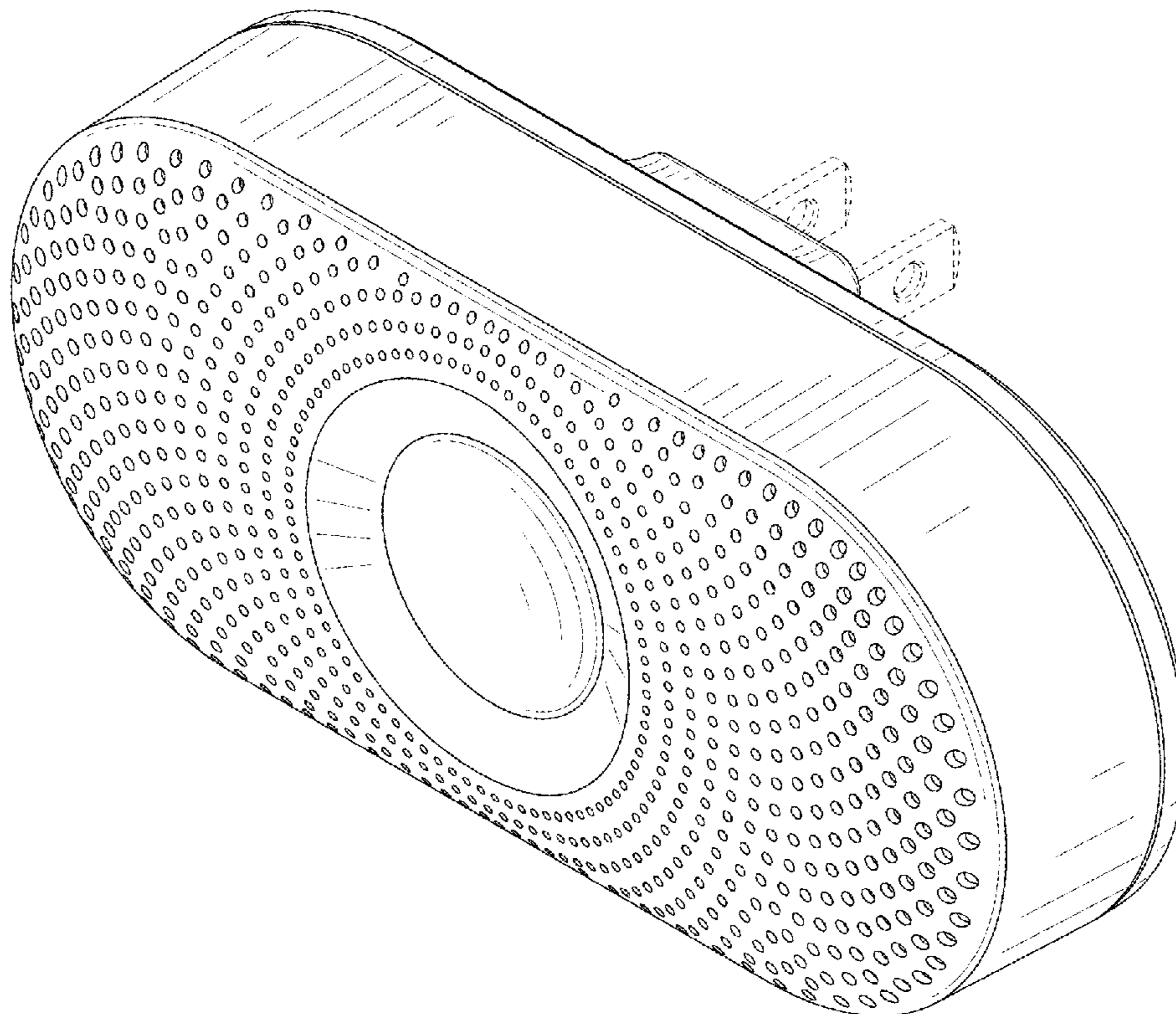
The ornamental design for a wireless doorbell receiver, as shown and described.

DESCRIPTION

FIG. 1 is a first perspective view of a wireless doorbell receiver showing my design;
FIG. 2 is a second perspective view thereof;
FIG. 3 is a front view thereof;
FIG. 4 is a back view thereof;
FIG. 5 is a left side view thereof;
FIG. 6 is a right side view thereof;
FIG. 7 is a top view thereof; and,
FIG. 8 is a bottom view thereof.

The broken lines shown in the drawings depict portions of the wireless doorbell receiver in which the design is embodied that form no part of the claimed design.

1 Claim, 8 Drawing Sheets



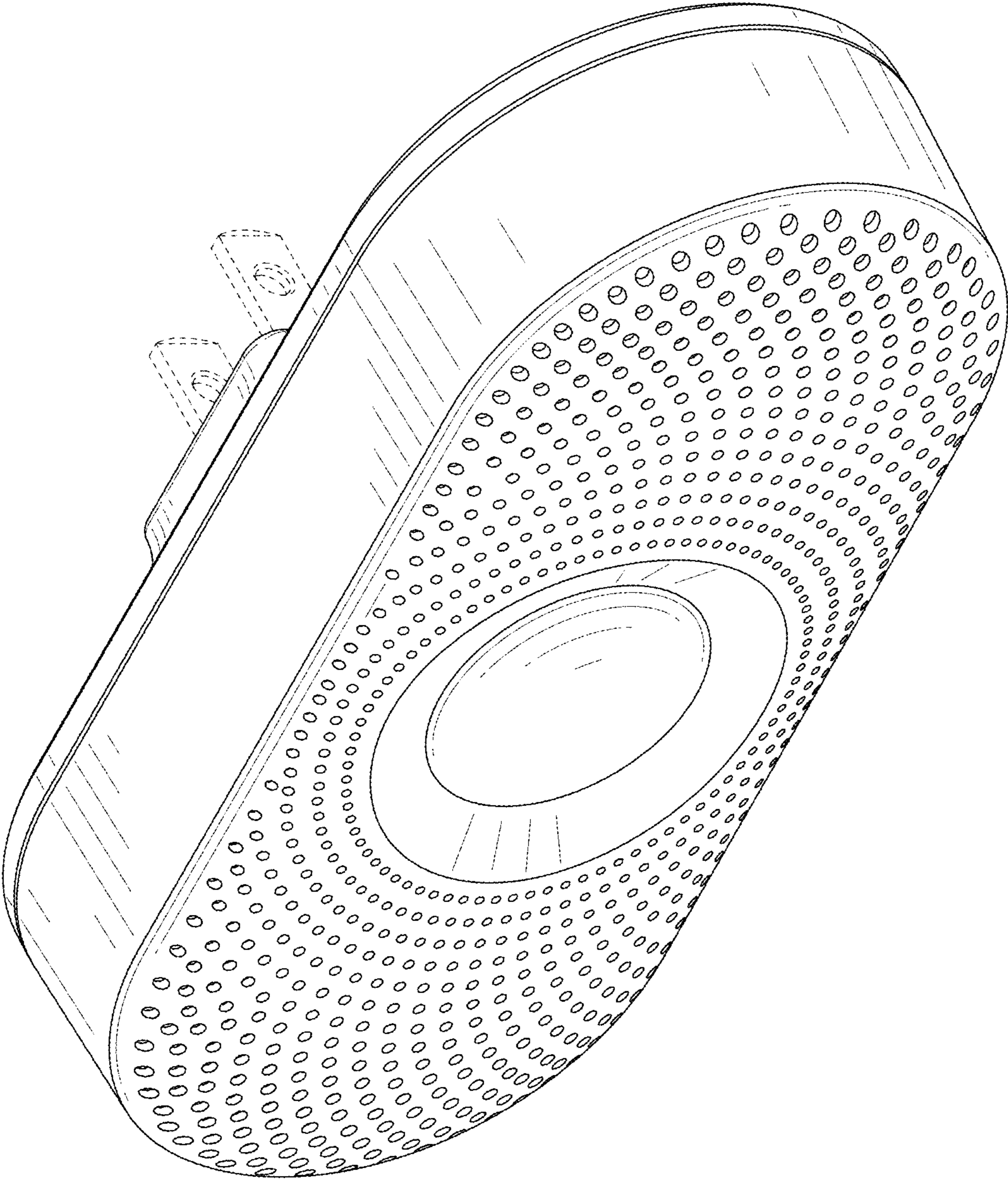


FIG. 1

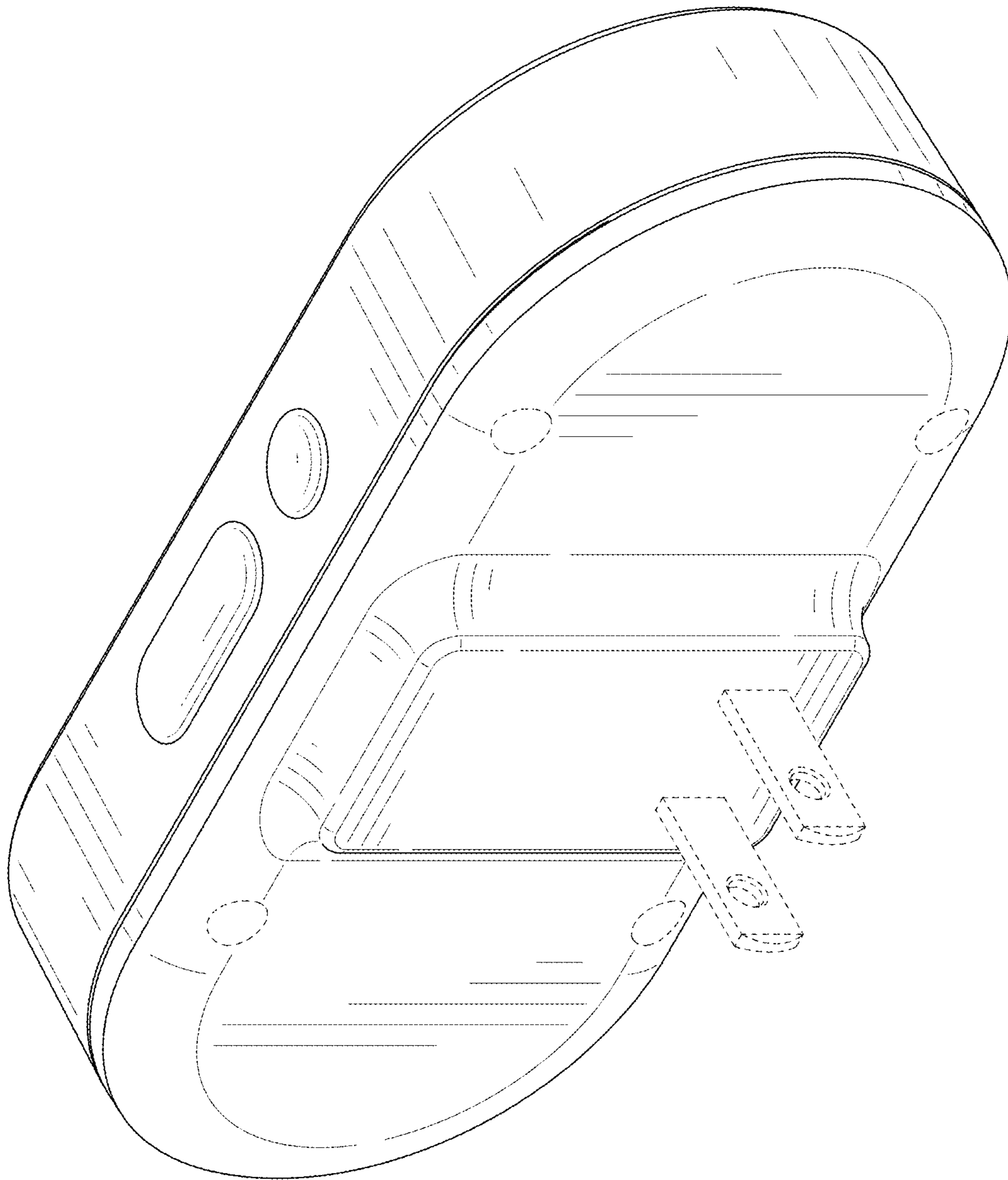


FIG. 2

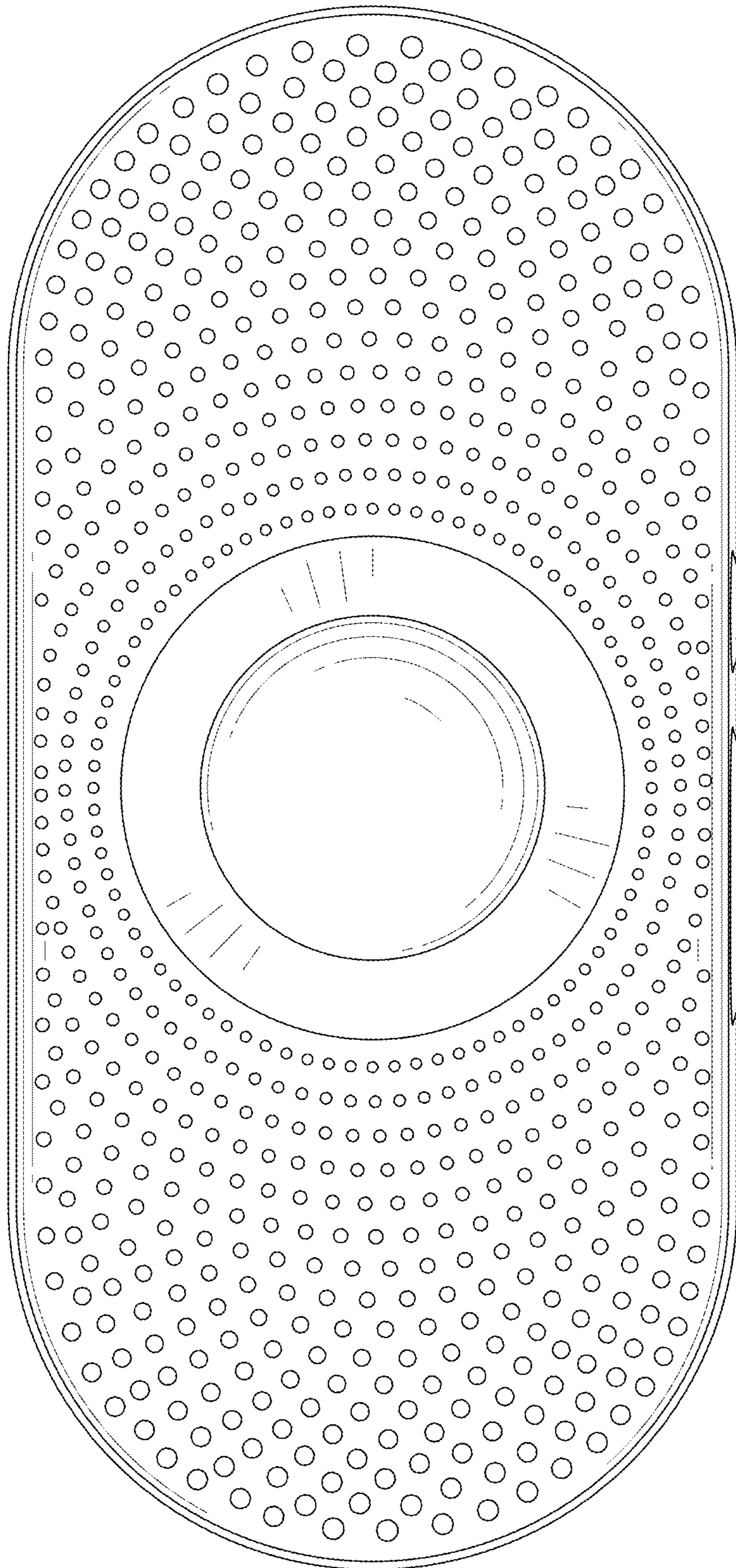


FIG. 3

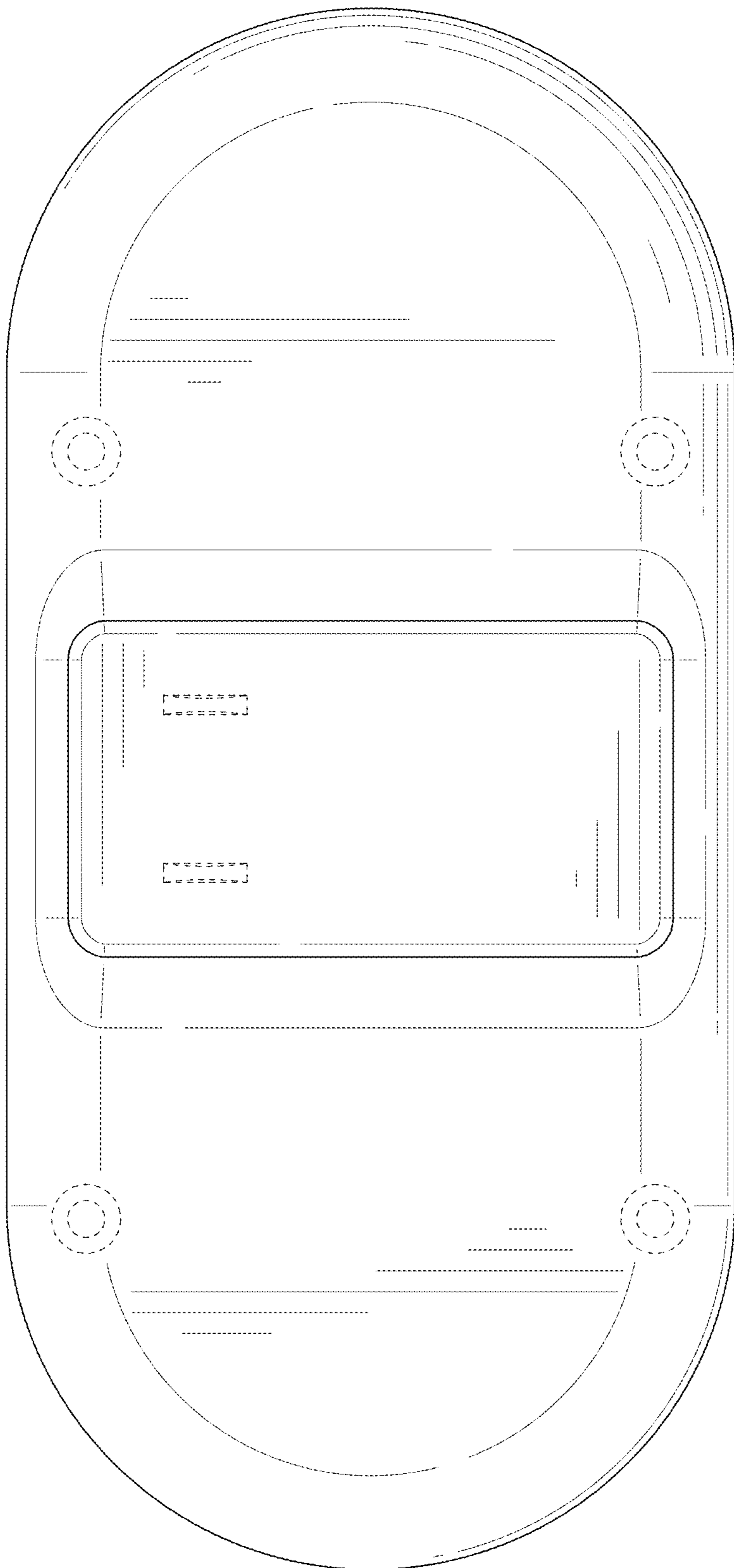


FIG. 4

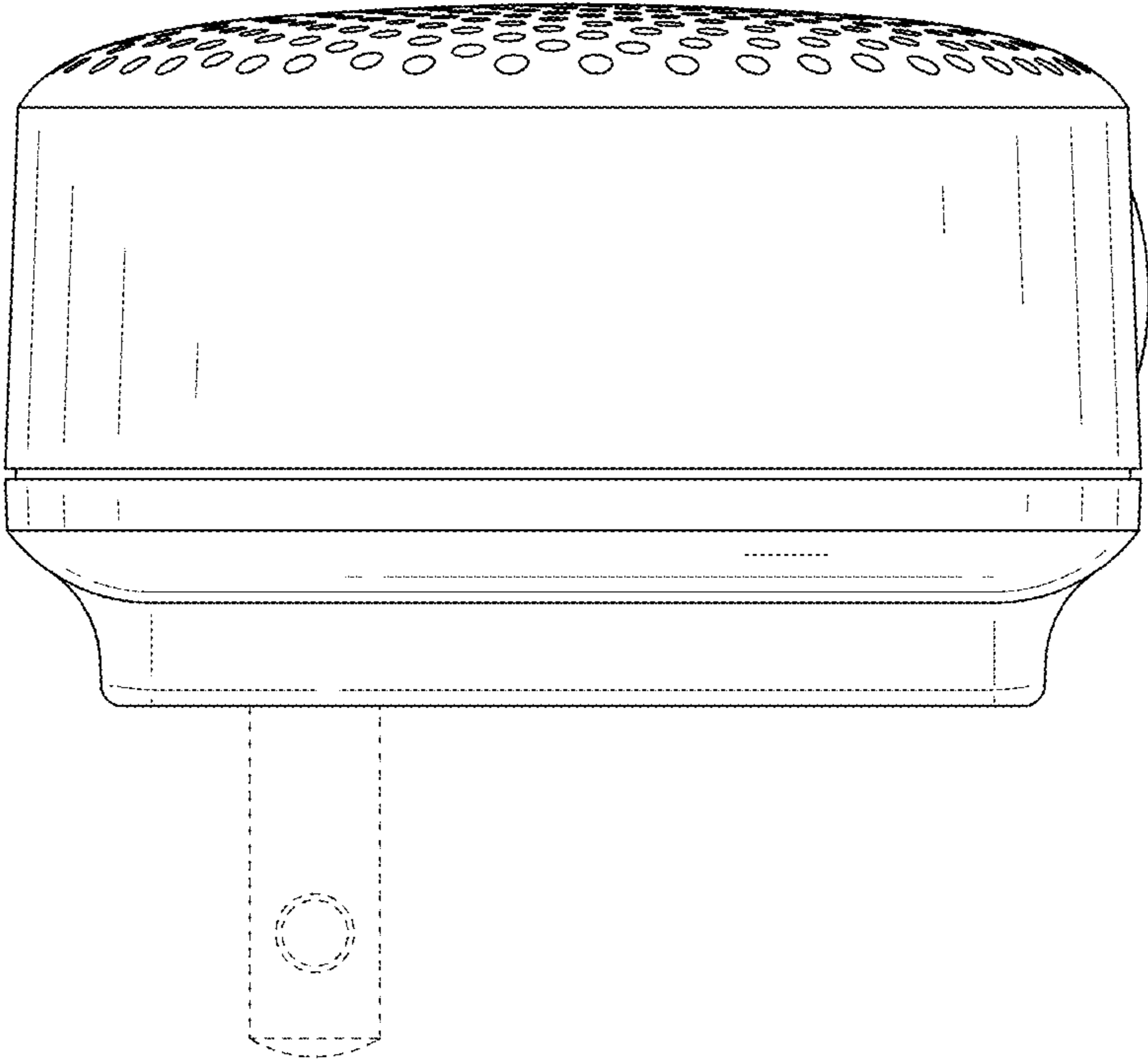


FIG. 5

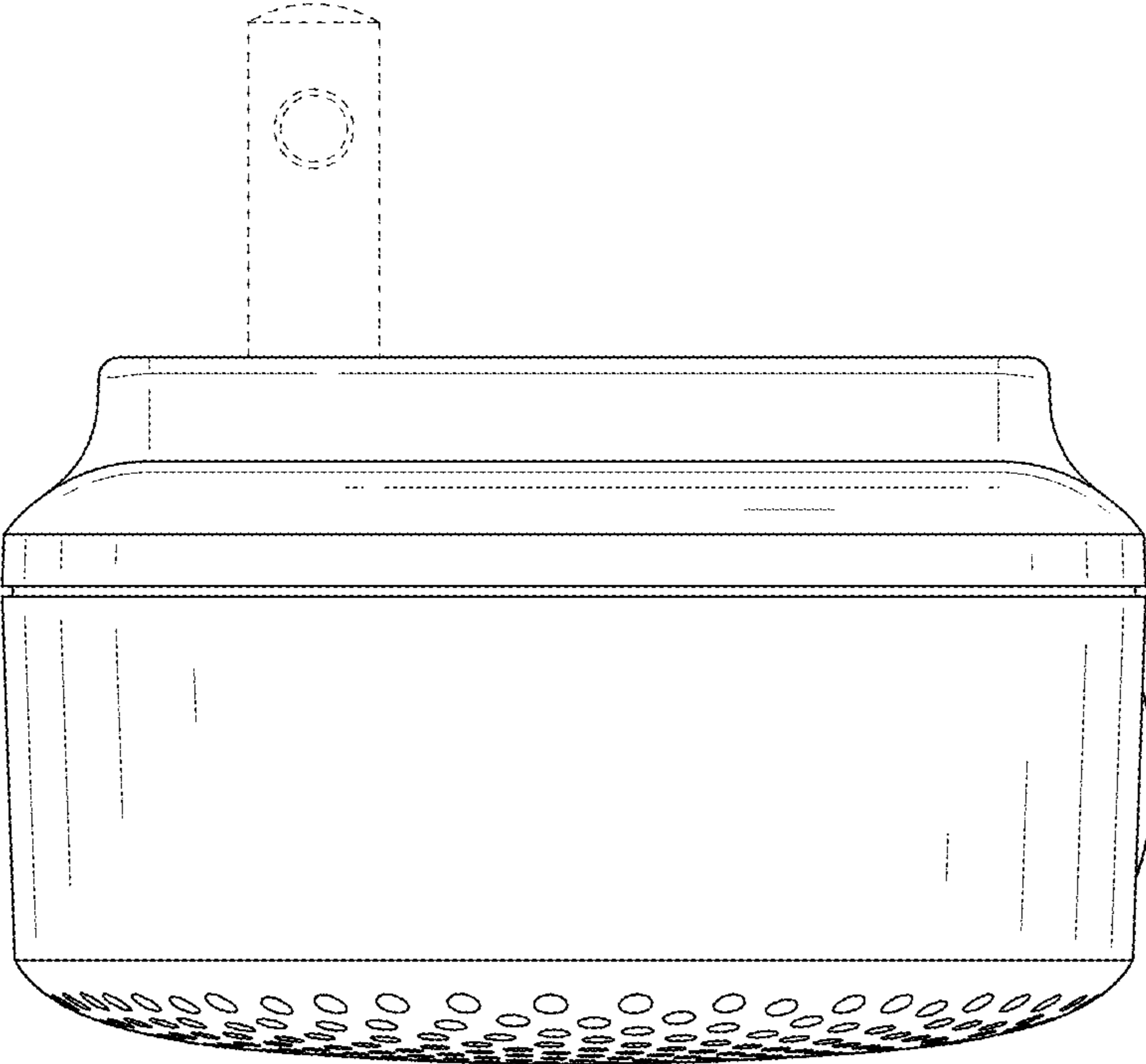


FIG. 6

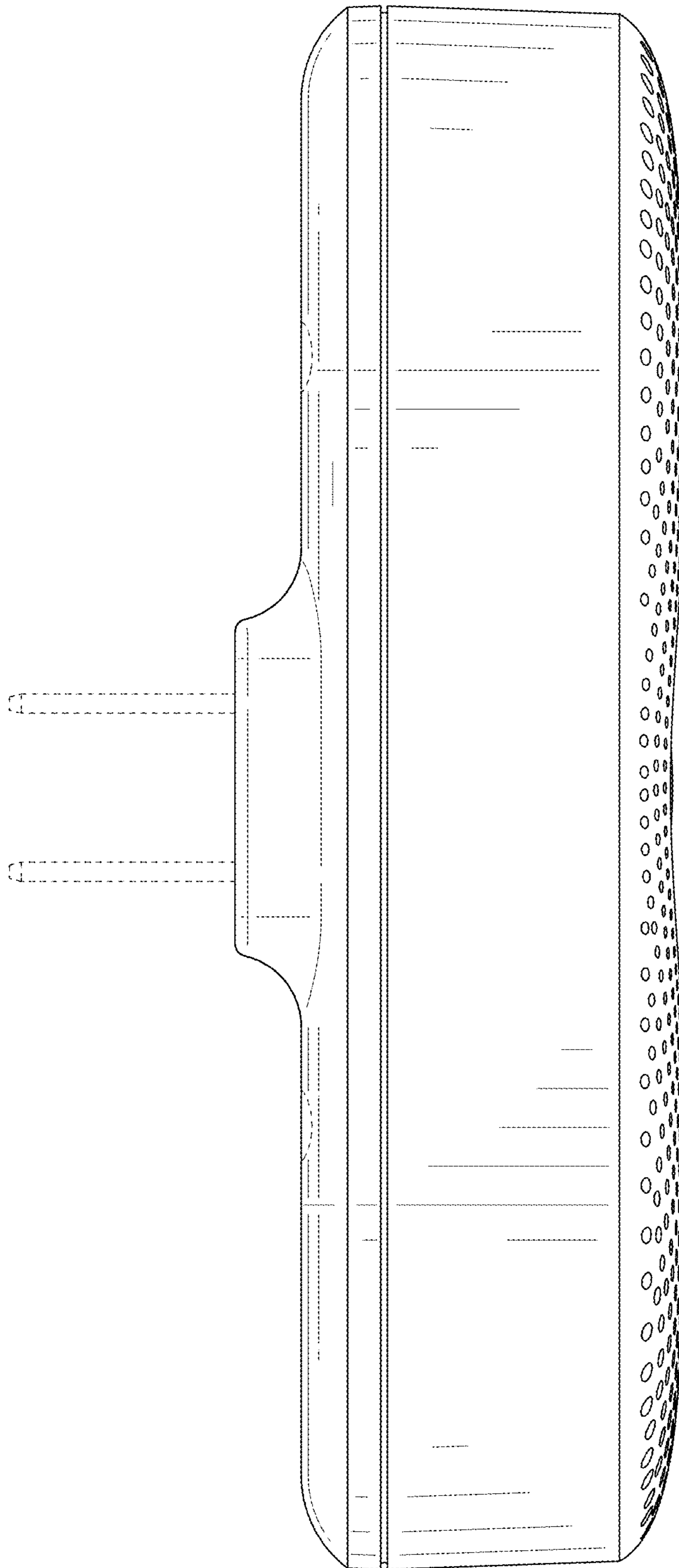


FIG. 7

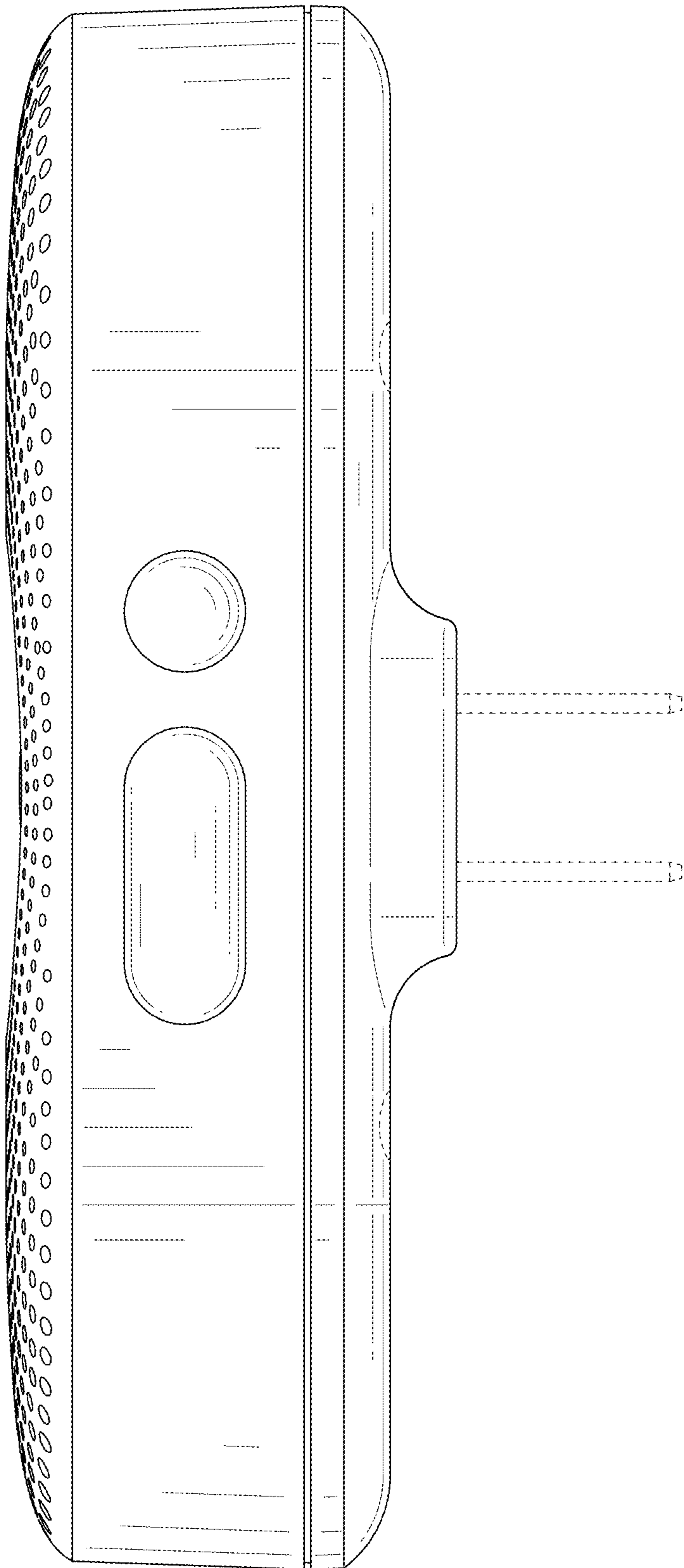


FIG. 8