



US00D897875S

(12) **United States Design Patent**
Ma

(10) **Patent No.:** **US D897,875 S**

(45) **Date of Patent:** **** Oct. 6, 2020**

(54) **ELECTRONIC SCALE**

(71) Applicant: **Huan Ma**, Guangdong (CN)

(72) Inventor: **Huan Ma**, Guangdong (CN)

(**) Term: **15 Years**

(21) Appl. No.: **29/676,287**

(22) Filed: **Jan. 10, 2019**

(30) **Foreign Application Priority Data**

Nov. 23, 2018 (CN) 2018 3 0671185

(51) **LOC (12) Cl.** **10-04**

(52) **U.S. Cl.**
USPC **D10/91**

(58) **Field of Classification Search**
USPC D10/91, 92
CPC G01G 21/28; G01G 21/283; G01G 21/286;
G01G 21/30; G01G 23/37; G01G
23/3728; G01G 23/3735; G01G 19/44;
G01G 19/445; G01G 19/46; G01G 19/48;
G01G 19/50; G01G 21/44; G01G 19/286;
G01G 19/30; G01G 19/40; G01G 19/41;
G01G 19/413; G01G 19/414; G01G
19/4144; G01G 19/42; A61B 5/053;
A61B 5/4872; A61B 5/0537; A61B
5/4869; A61B 5/6825; A61B 5/6829;
A61B 5/7445

See application file for complete search history.

(56) **References Cited**

U.S. PATENT DOCUMENTS

D524,671 S *	7/2006	Huang	D10/91
D581,301 S *	11/2008	Vantine	D10/91
D837,672 S *	1/2019	Hong	D10/91
D842,731 S *	3/2019	Hong	D10/91
D869,314 S *	12/2019	Ma	D10/91

* cited by examiner

Primary Examiner — Antoine Duval Davis

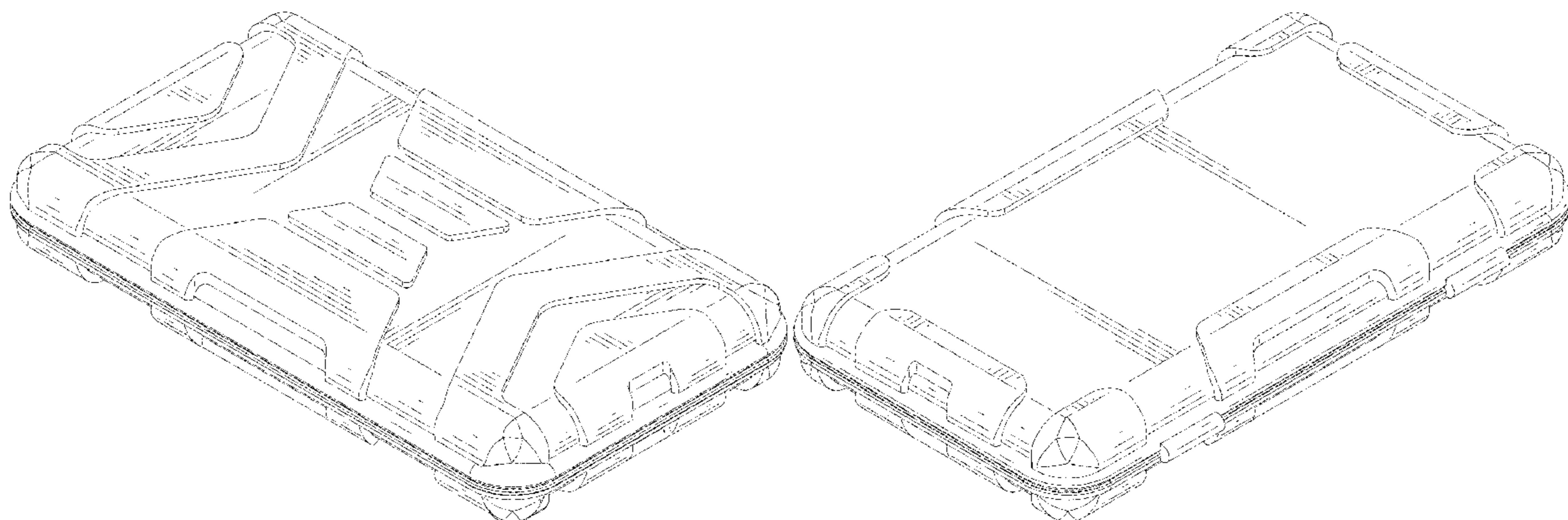
(57) **CLAIM**

The ornamental design for an electronic scale, as shown and described.

DESCRIPTION

FIG. 1 is a front, bottom and left side perspective view of an electronic scale showing my new design;
FIG. 2 is a rear, top and right side perspective view thereof;
FIG. 3 is a bottom plan view thereof;
FIG. 4 is a top plan view thereof;
FIG. 5 is a left side plan view thereof;
FIG. 6 is a right plan view thereof;
FIG. 7 is a front elevation view thereof;
FIG. 8 is a rear side elevation view thereof; and,
FIG. 9 is a front, bottom and left side perspective view of the Electronic scale (D164) open for a 90 angle.
The broken lines shown in electronic scale form no part of the claimed design.

1 Claim, 9 Drawing Sheets



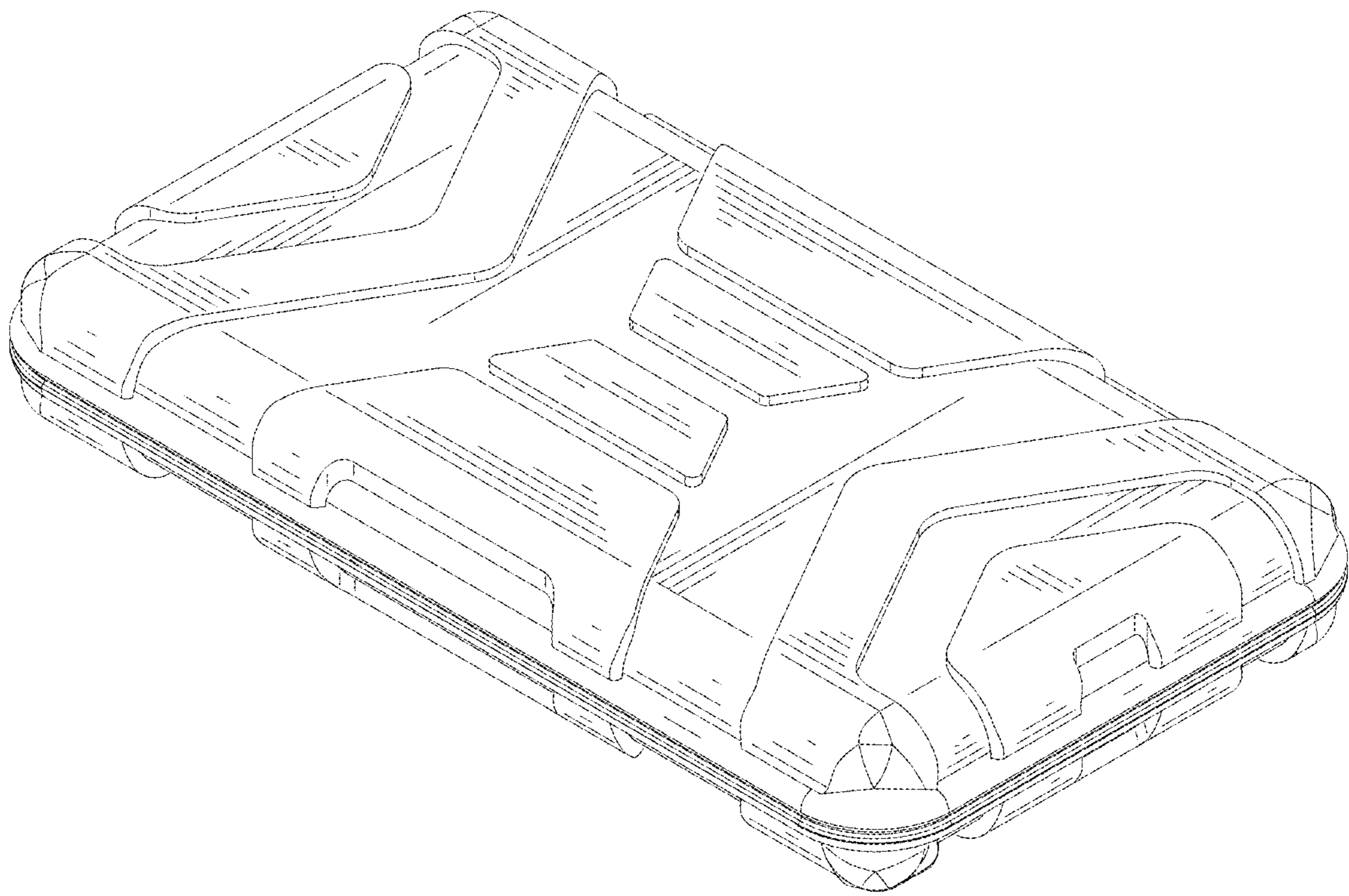


FIG. 1

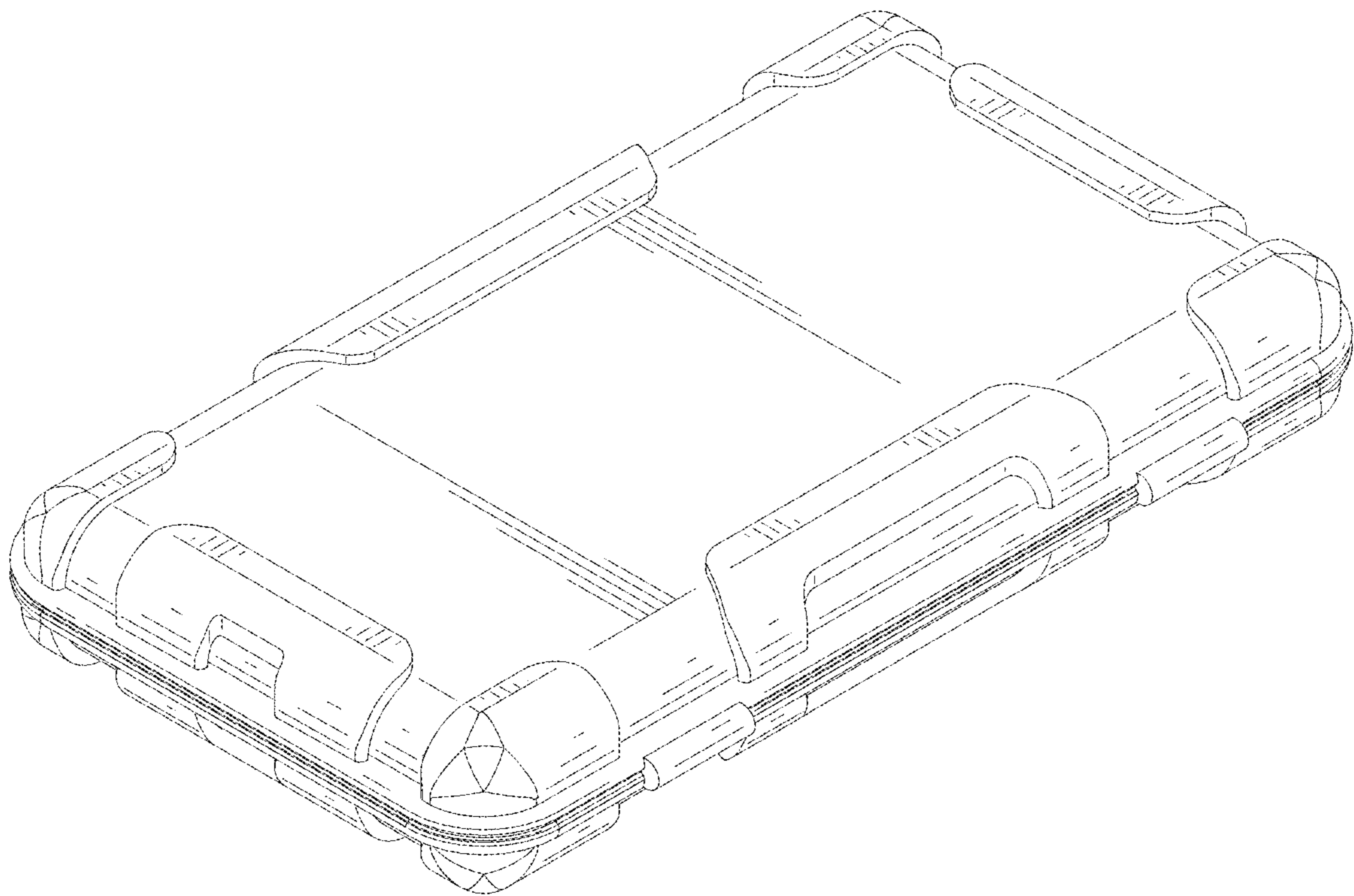


FIG. 2

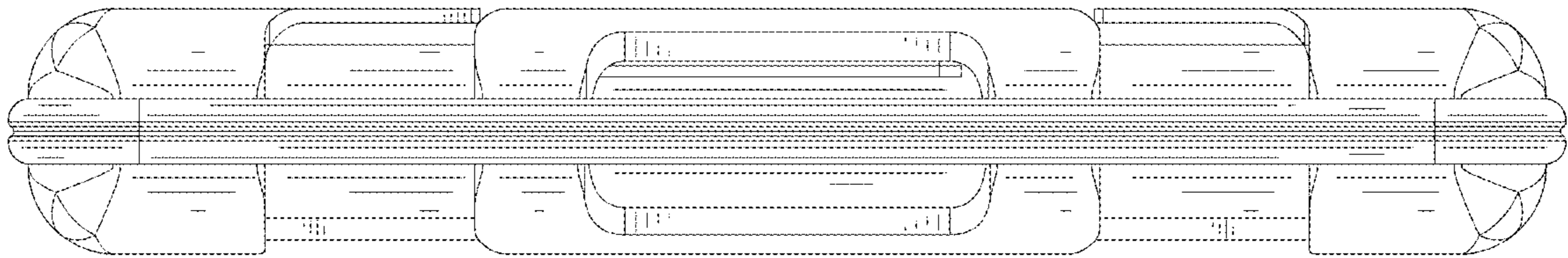


FIG. 3

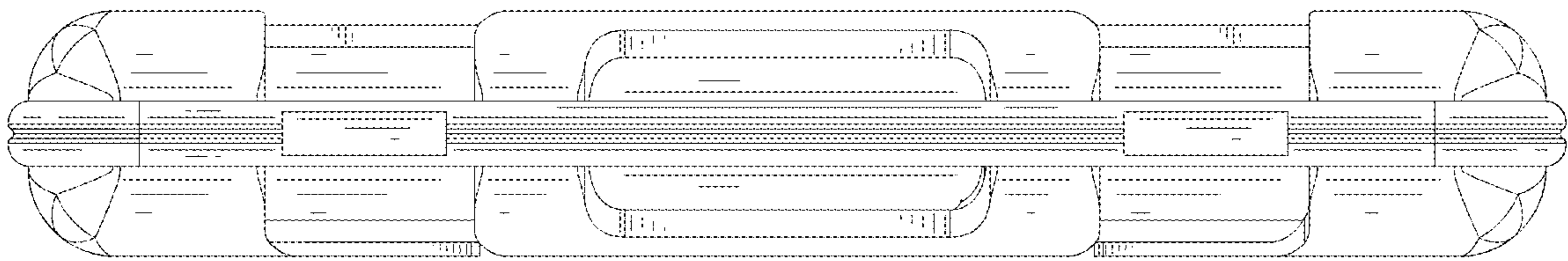


FIG. 4

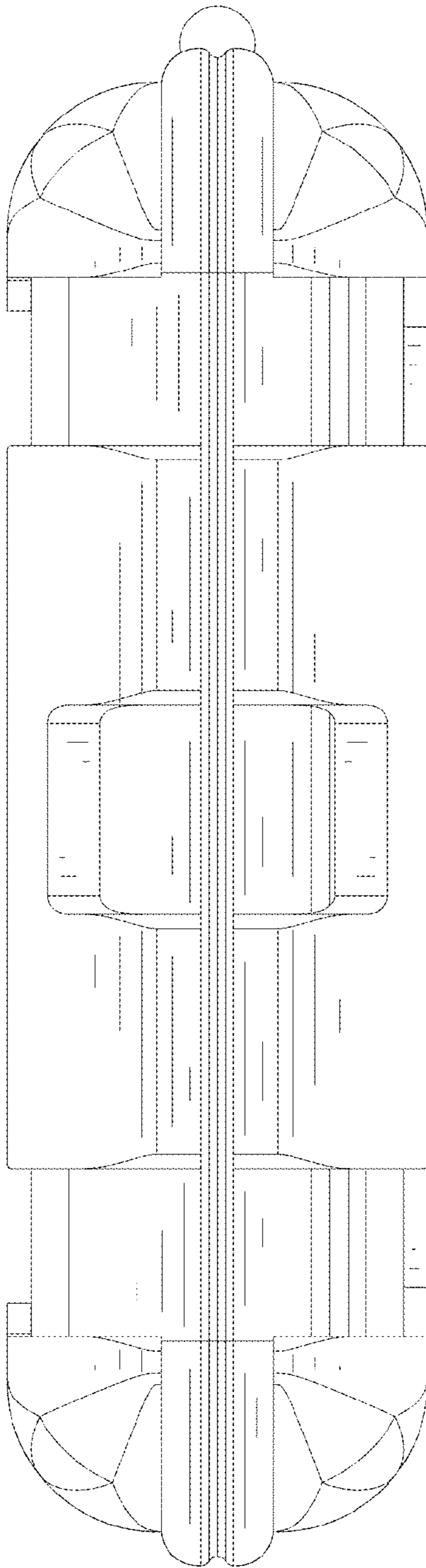


FIG. 5

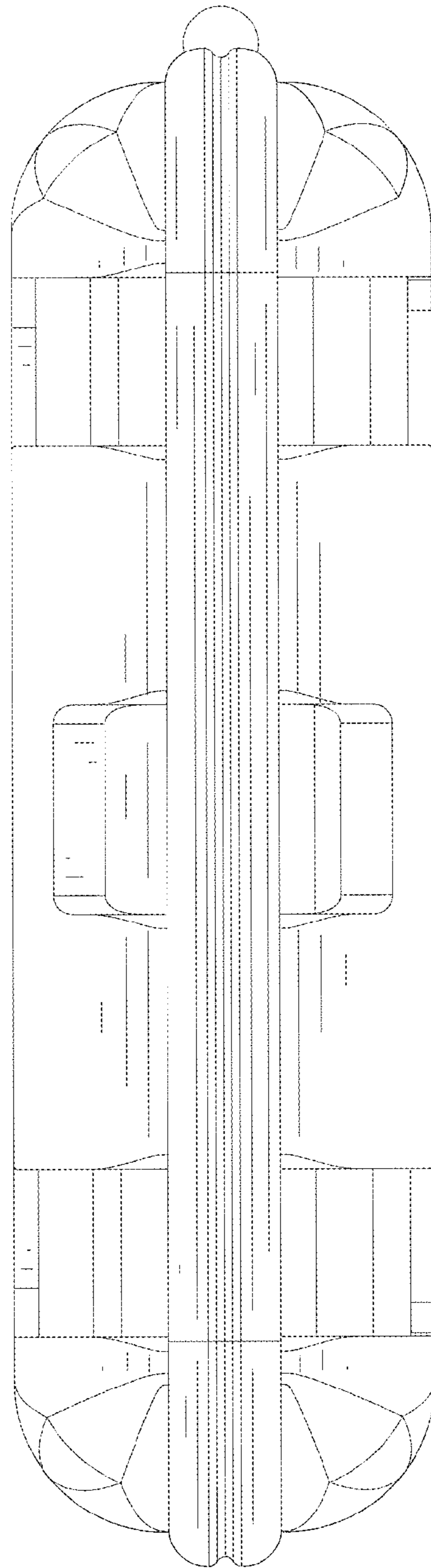


FIG. 6

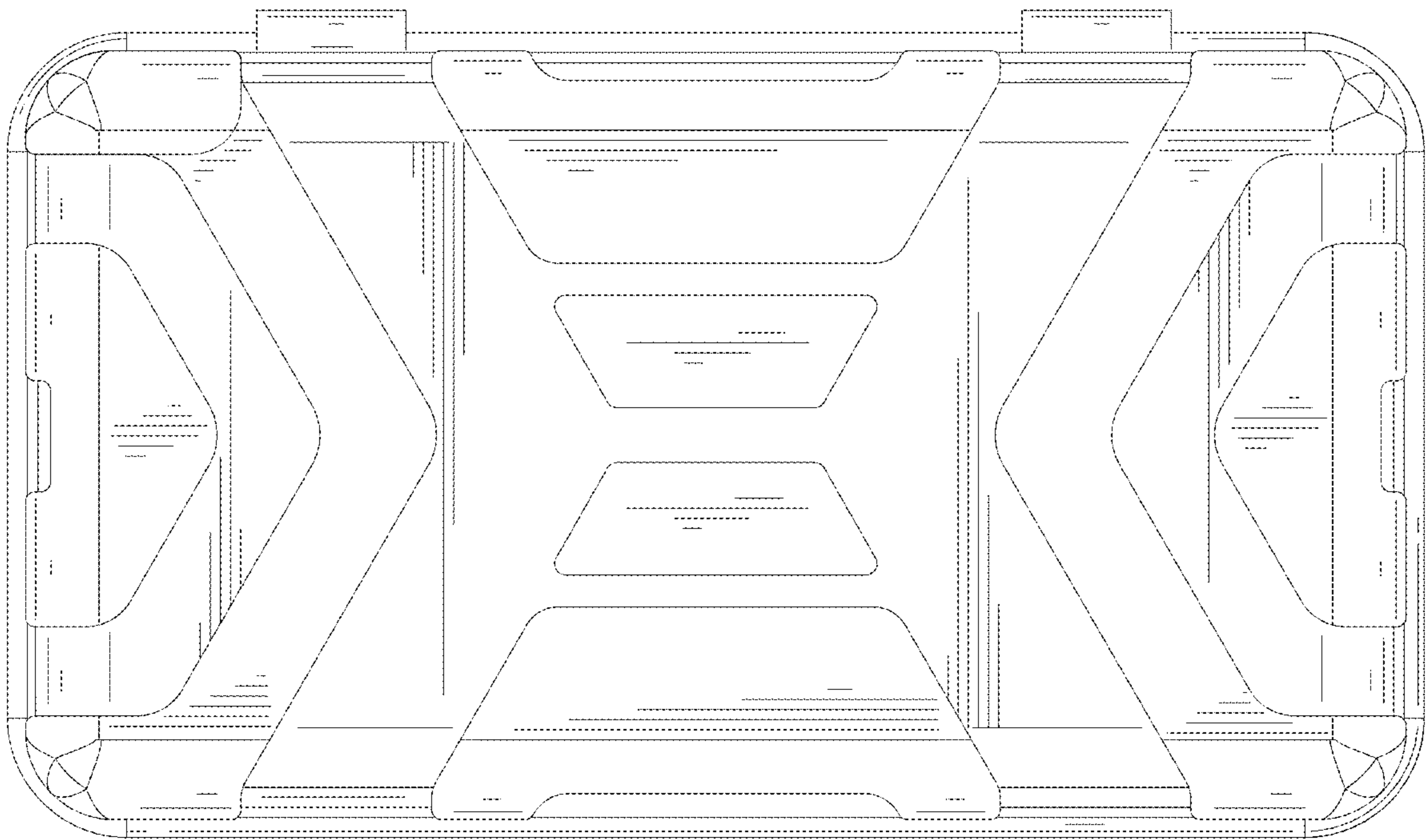


FIG. 7

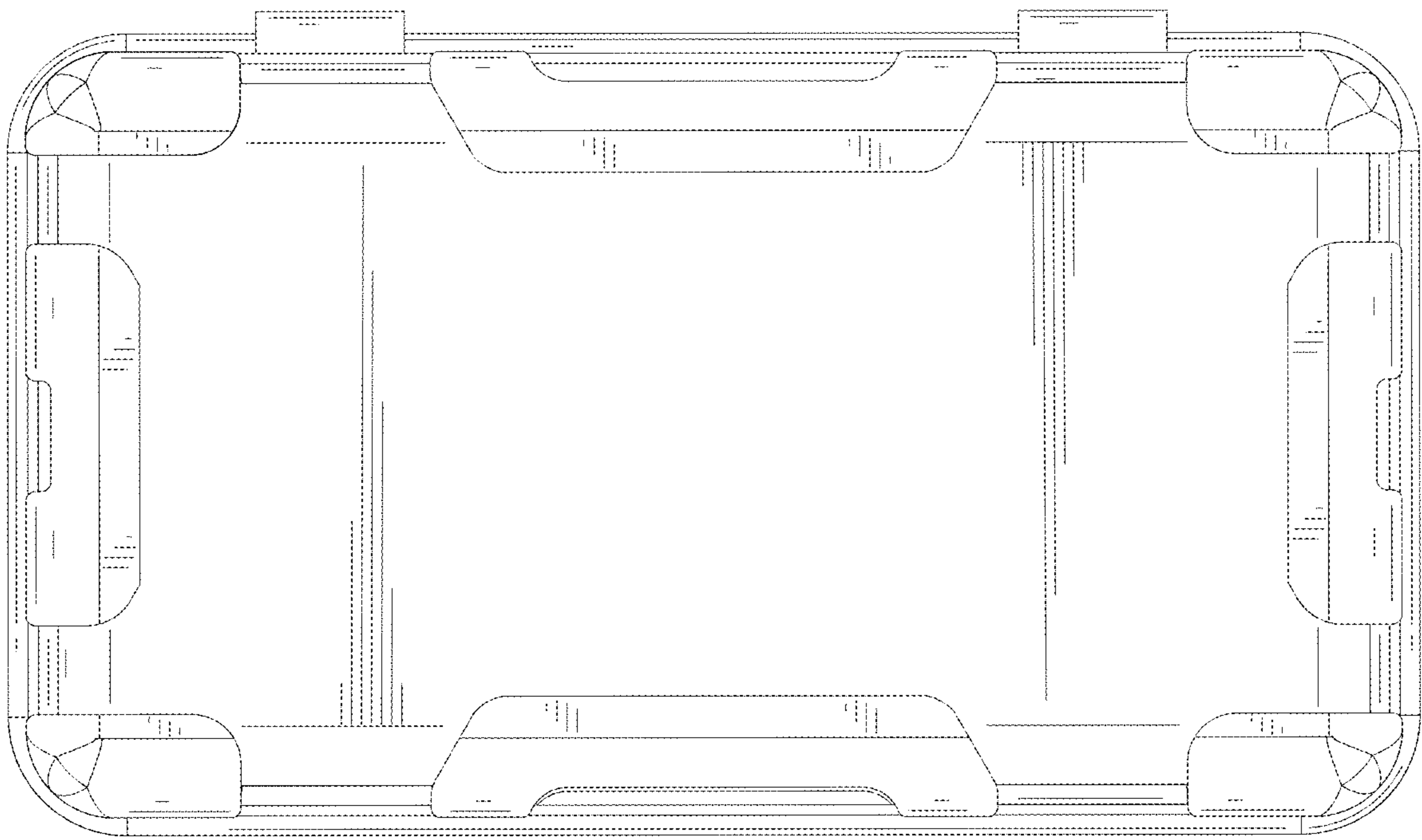


FIG. 8

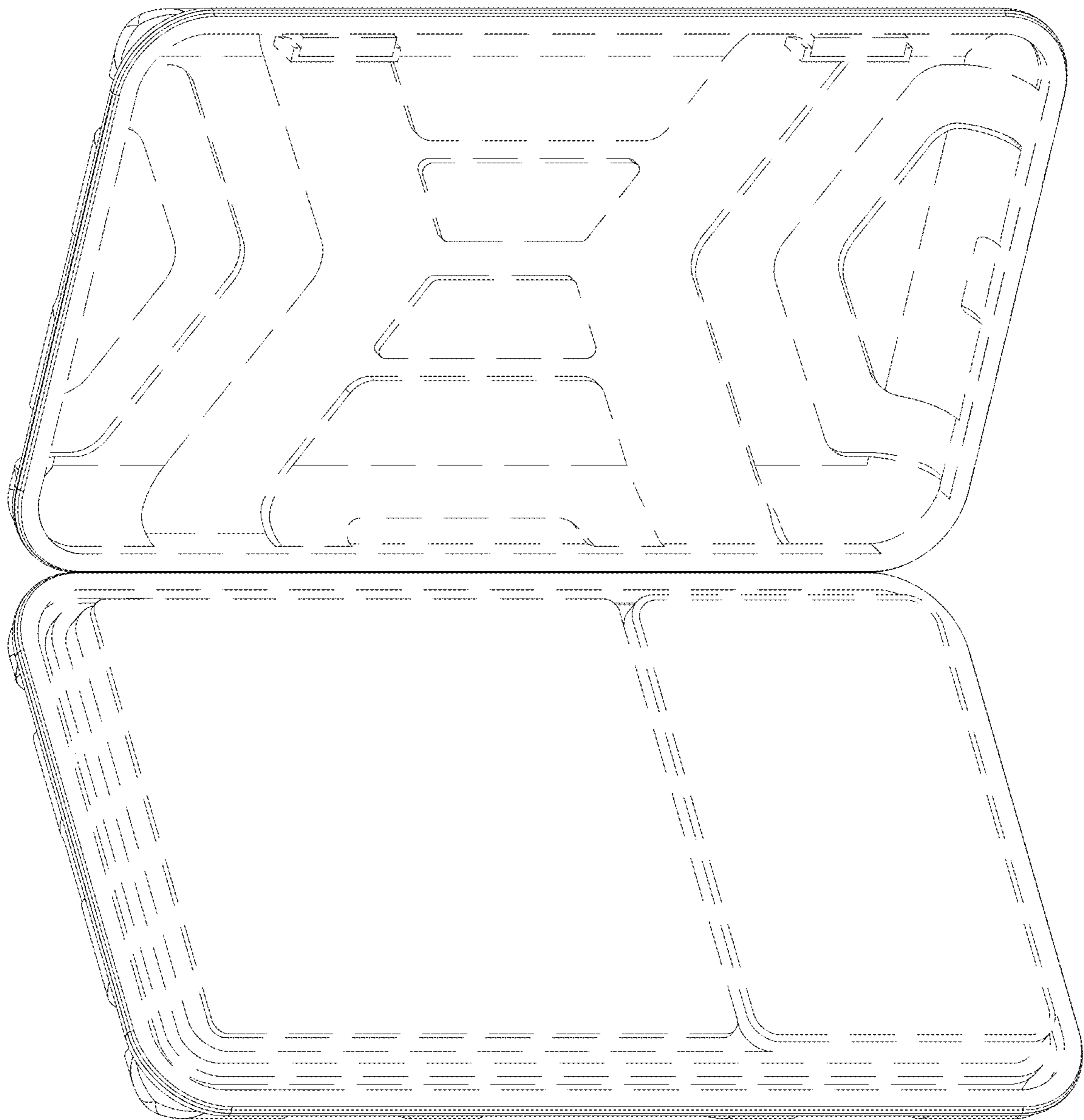


FIG. 9