



US00D897872S

(12) **United States Design Patent**  
**Yu**

(10) **Patent No.:** **US D897,872 S**  
(45) **Date of Patent:** **\*\* Oct. 6, 2020**

(54) **WIRELESS BARBECUE THERMOMETER**

(71) Applicant: **FUZHOU ESUN ELECTRONIC CO., LTD**, Fuzhou (CN)

(72) Inventor: **Guo Yu**, Fuzhou (CN)

(73) Assignee: **FUZHOU ESUN ELECTRONIC CO., LTD**, Fuzhou (CN)

(\*\*) Term: **15 Years**

(21) Appl. No.: **29/678,411**

(22) Filed: **Jan. 29, 2019**

(30) **Foreign Application Priority Data**

Jan. 11, 2019 (CN) ..... 2019 3 0014841

(51) **LOC (12) Cl.** ..... **10-04**

(52) **U.S. Cl.**  
USPC ..... **D10/57**

(58) **Field of Classification Search**  
USPC ..... D10/57  
CPC ..... G01K 2207/02; G01K 2207/04; G01K 2207/06; G01K 2207/08  
See application file for complete search history.

(56) **References Cited**

**U.S. PATENT DOCUMENTS**

7,201,099 B2 \* 4/2007 Harris, Jr. .... G01K 1/02  
374/E1.002  
D765,523 S \* 9/2016 Chapman ..... D10/57

D788,605 S \* 6/2017 Rouillard ..... D10/57  
D809,945 S \* 2/2018 Prommel ..... D10/57  
D827,457 S \* 9/2018 Liu ..... D10/57  
D837,668 S \* 1/2019 Zou ..... D10/57  
D838,192 S \* 1/2019 Yu ..... D10/57  
D847,006 S \* 4/2019 Hu ..... D10/57  
D853,254 S \* 7/2019 Zemel ..... D10/57

\* cited by examiner

*Primary Examiner* — Antoine Duval Davis

(74) *Attorney, Agent, or Firm* — Westbridge IP LLC

(57) **CLAIM**

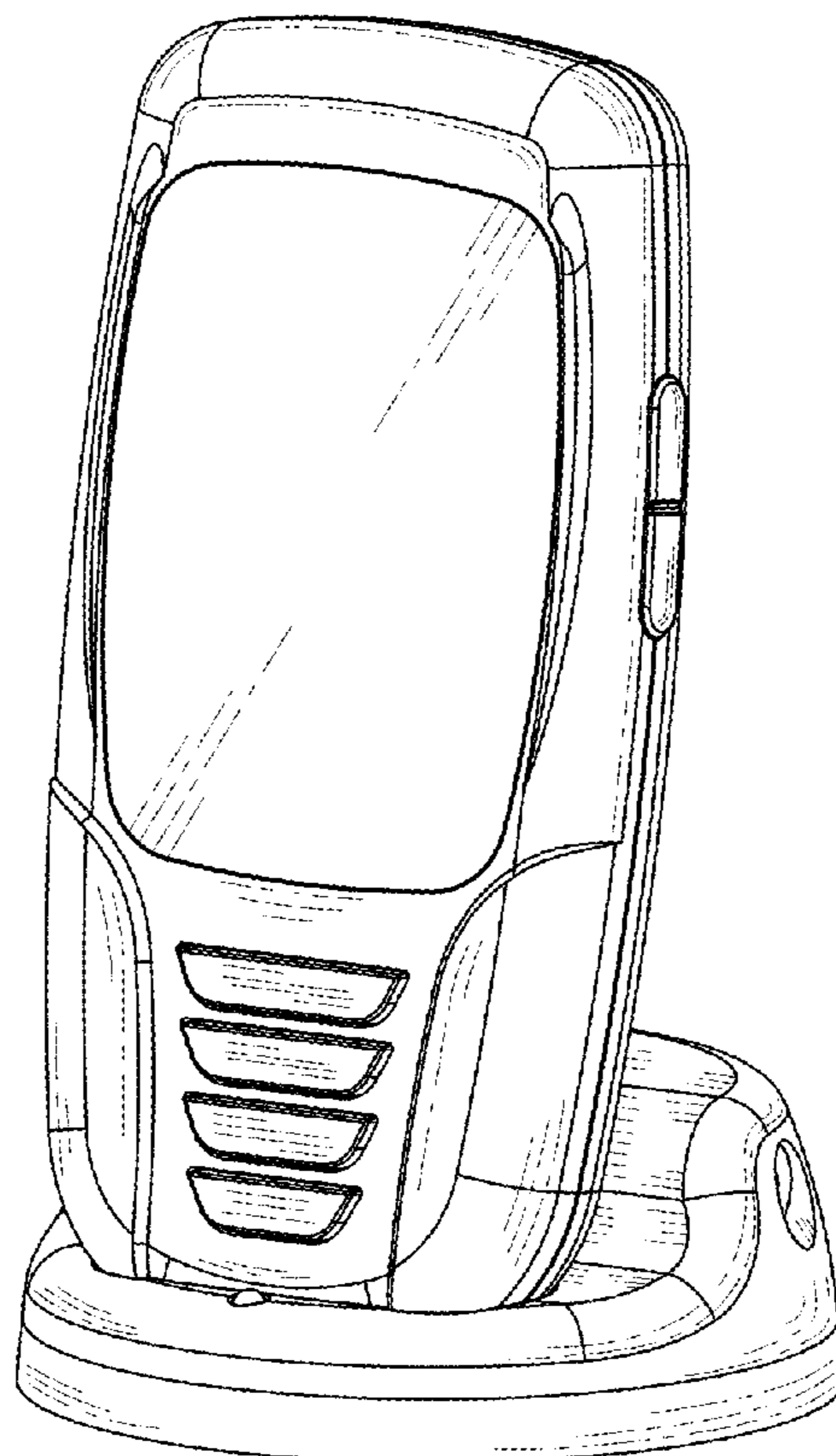
The ornamental design for a wireless barbecue thermometer, as shown and described.

**DESCRIPTION**

FIG. 1 is a perspective view of a wireless barbecue thermometer showing my new design;  
FIG. 2 is a front view thereof;  
FIG. 3 is a rear view thereof;  
FIG. 4 is a left view thereof;  
FIG. 5 is a right view thereof;  
FIG. 6 is a top view thereof; and,  
FIG. 7 is a bottom view thereof.

The broken lines in the drawings depict portions of the wireless barbecue thermometer that form no part of the claim.

**1 Claim, 7 Drawing Sheets**



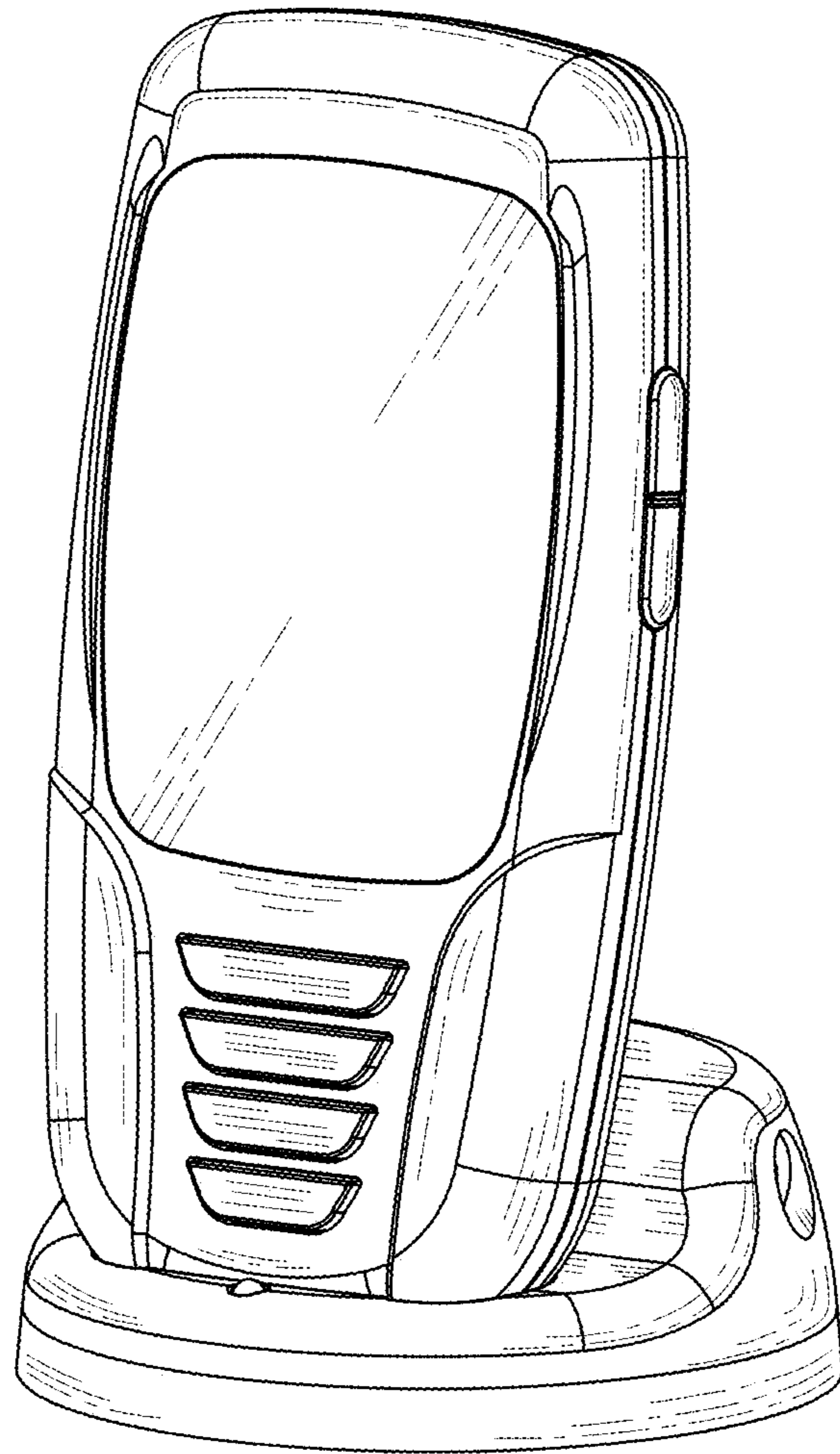


FIG.1

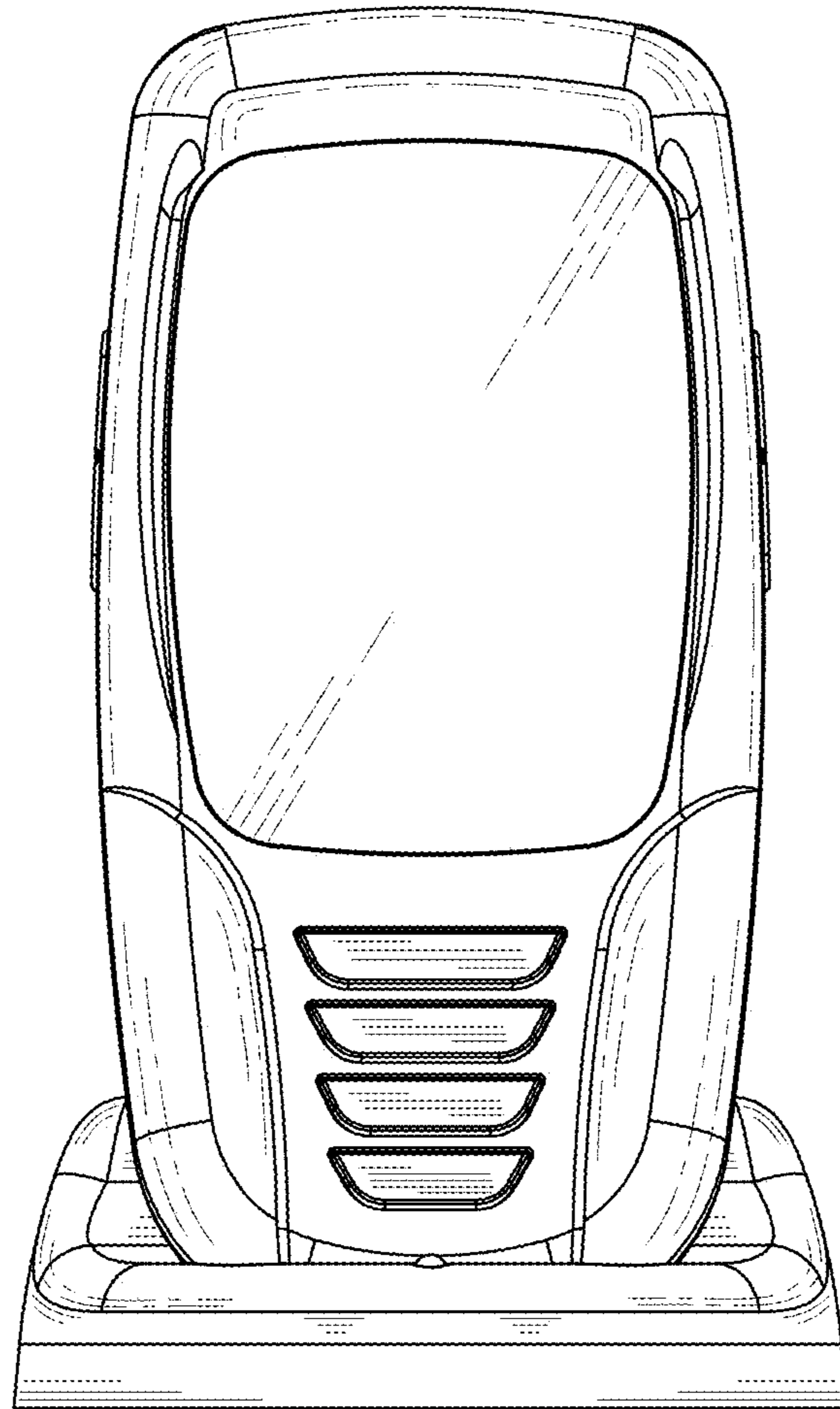


FIG.2

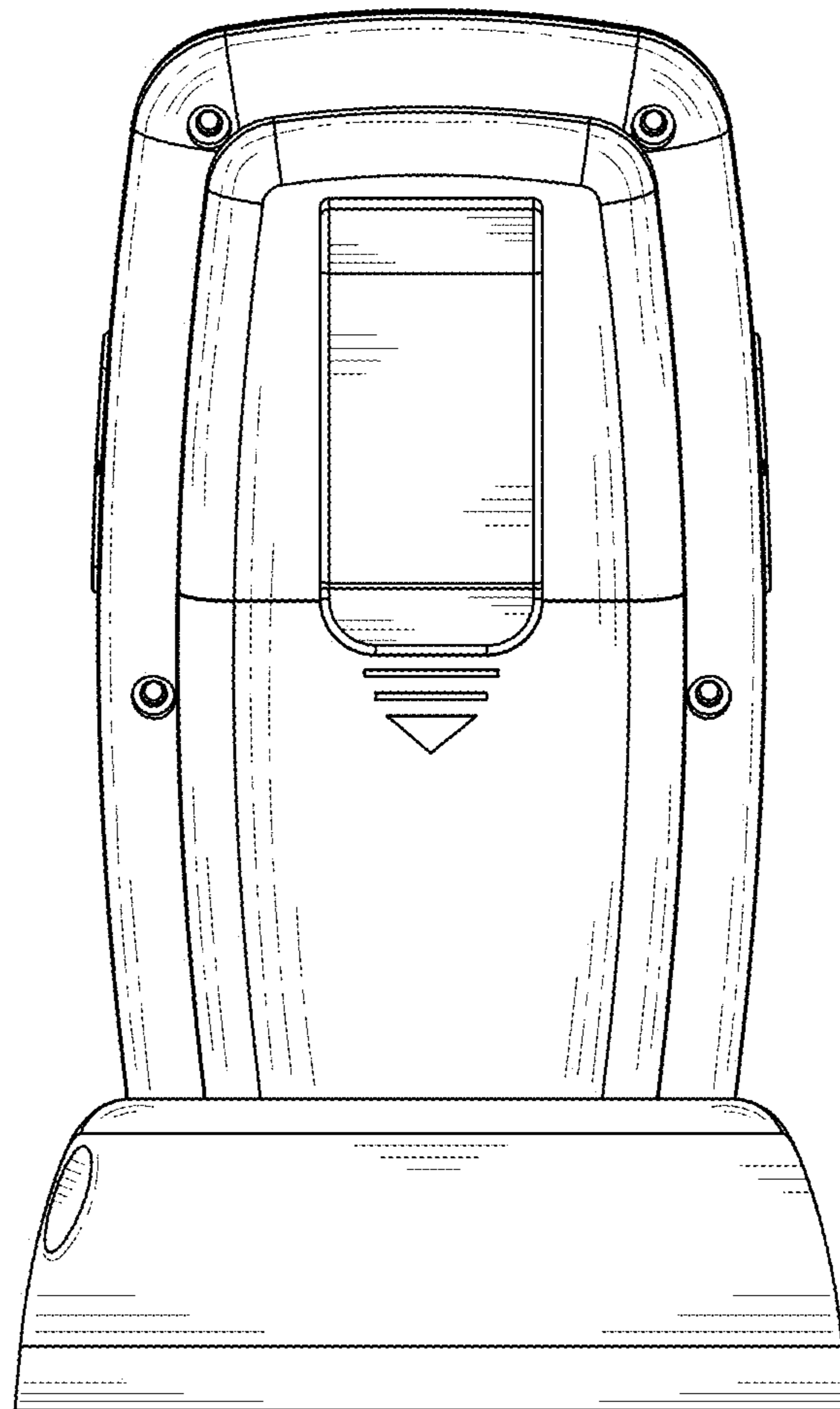


FIG.3

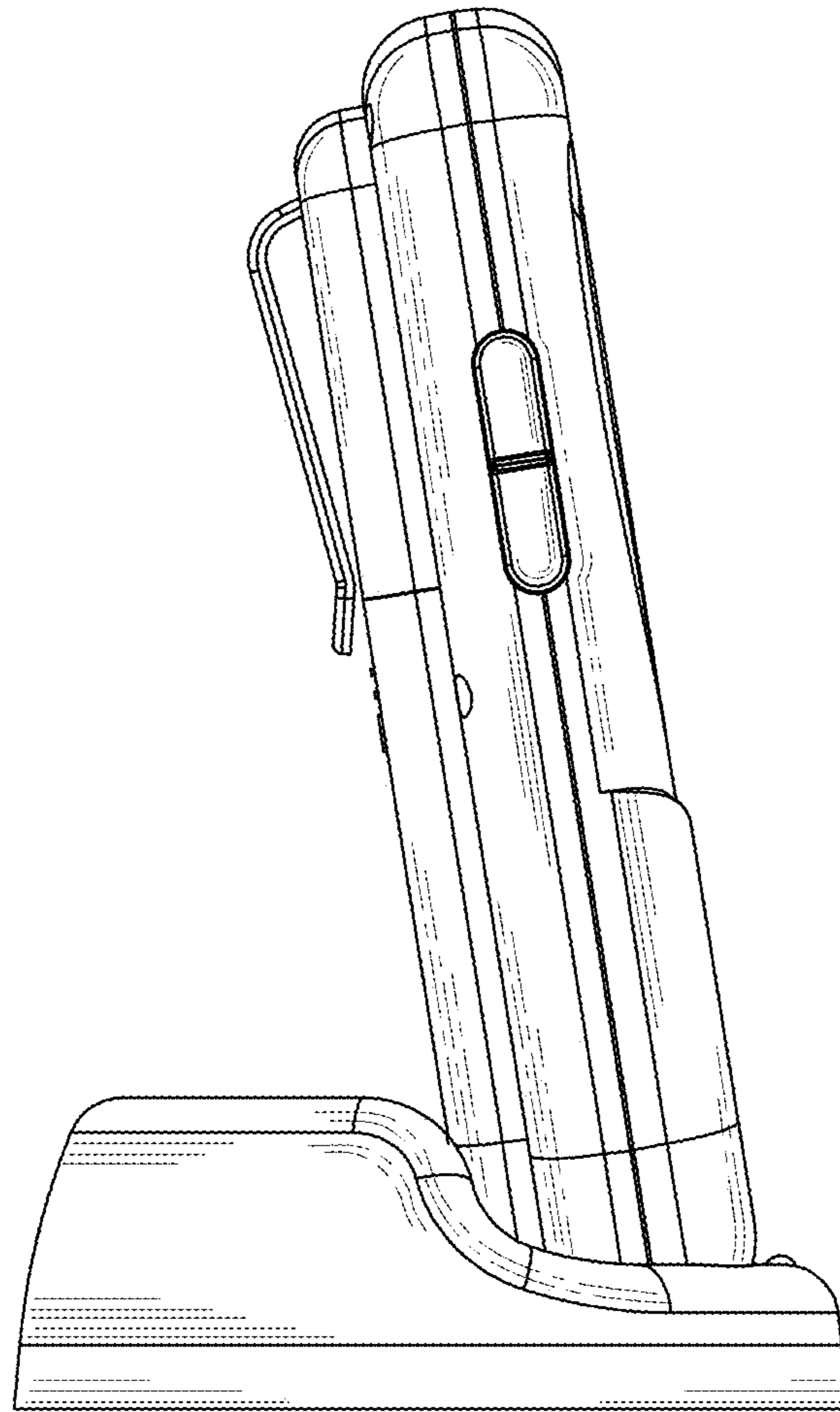


FIG.4

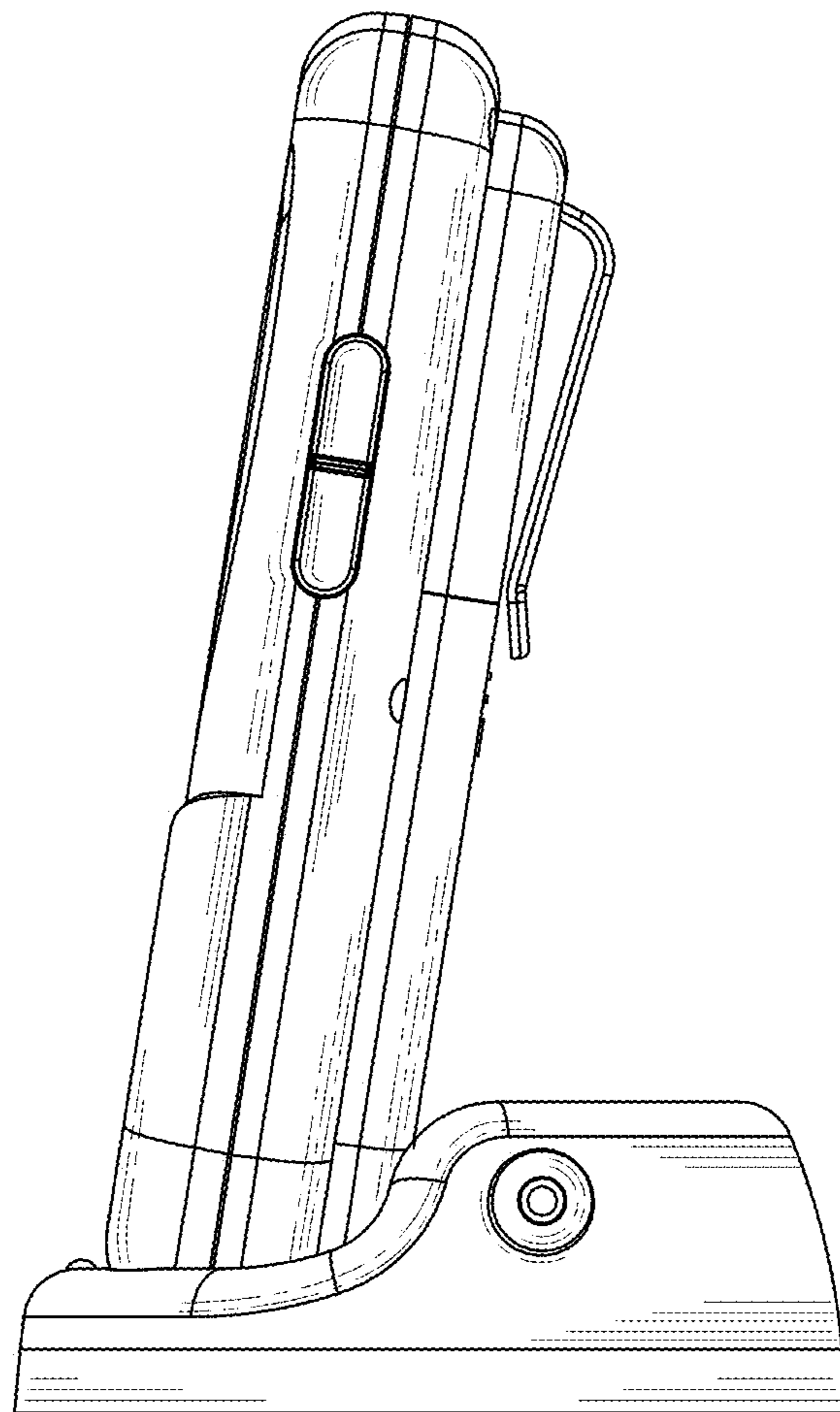


FIG.5



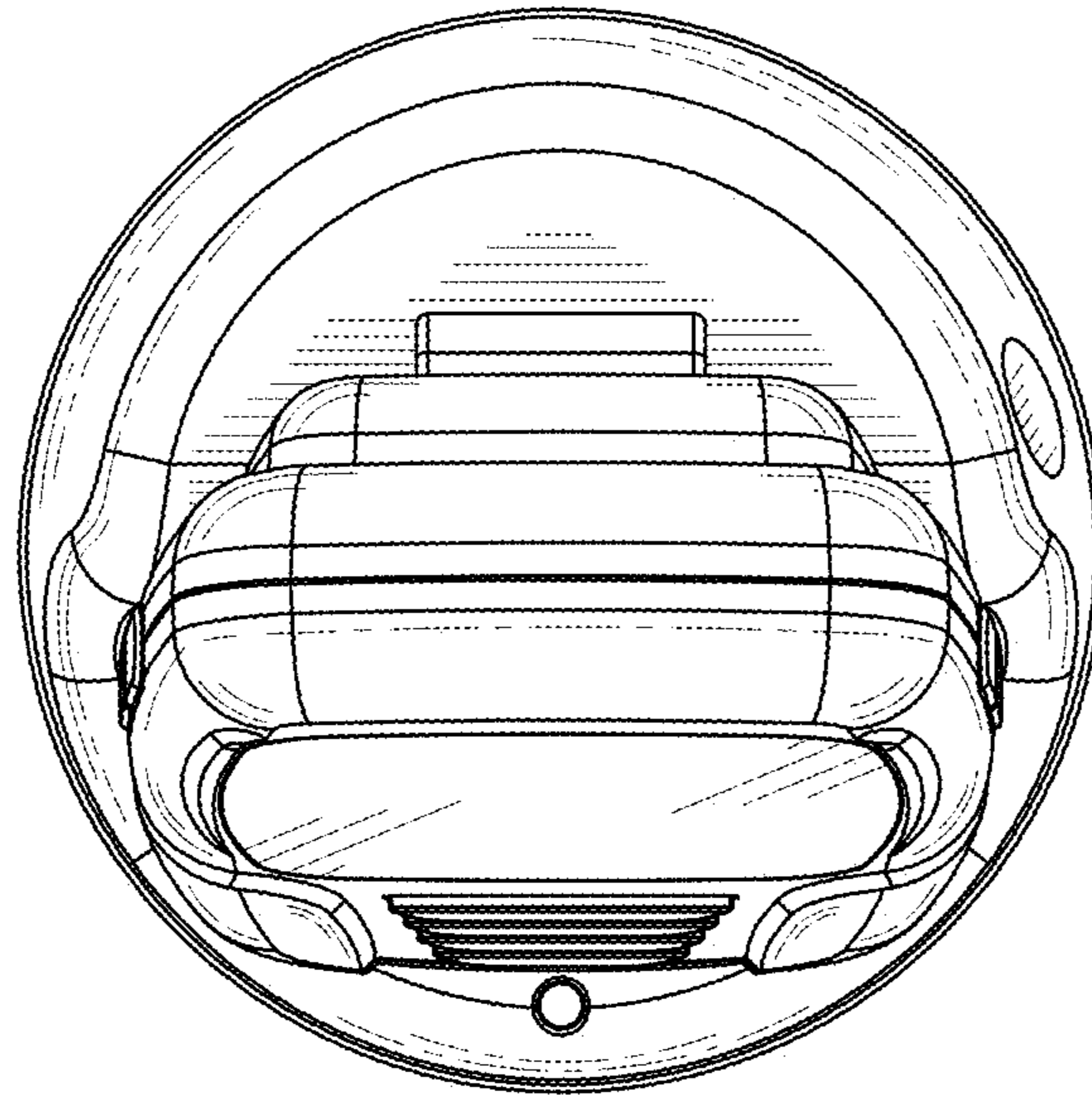


FIG.6

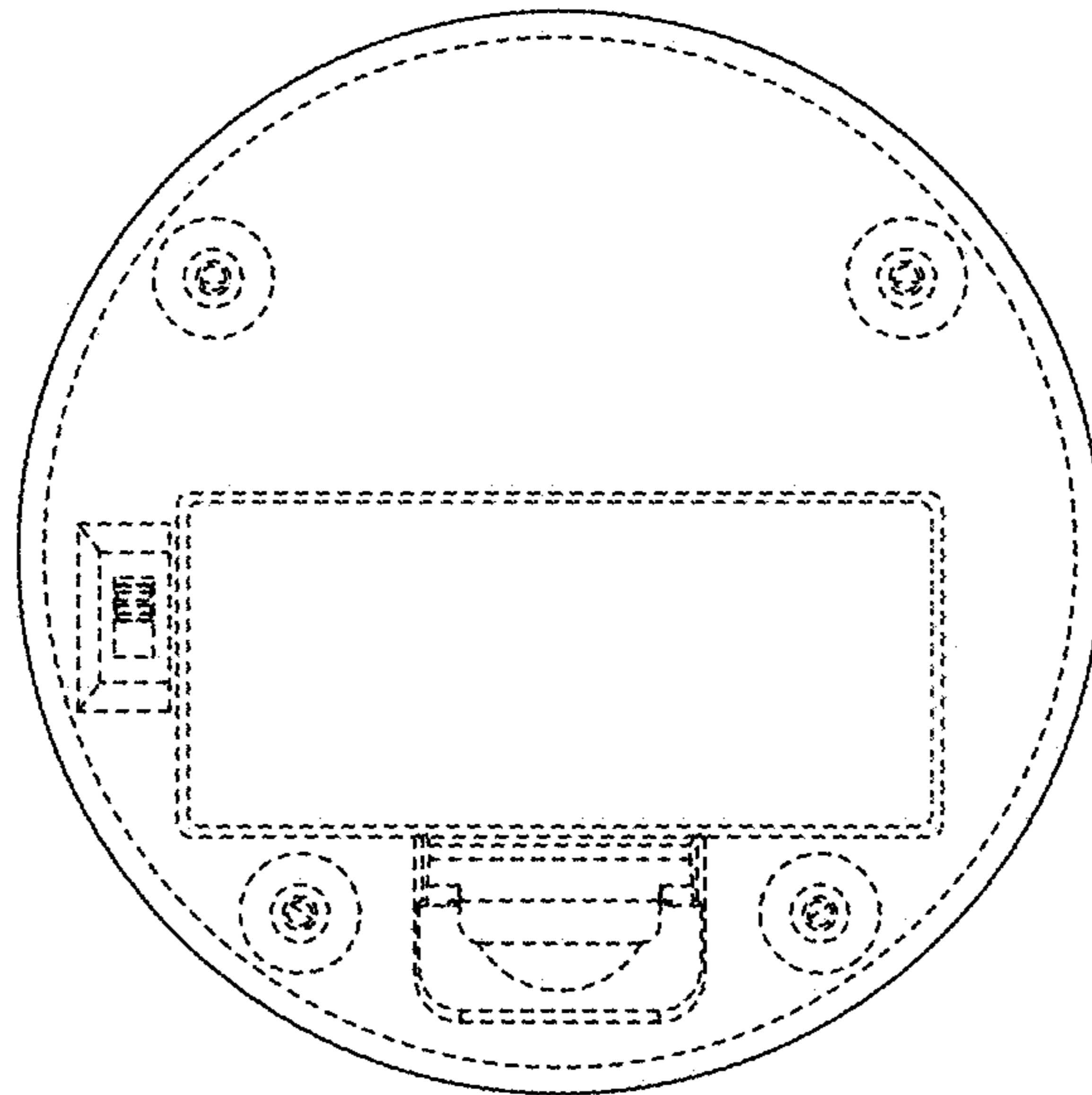


FIG. 7