



US00D897869S

(12) **United States Design Patent**
Mille

(10) **Patent No.:** **US D897,869 S**

(45) **Date of Patent:** **** Oct. 6, 2020**

(54) **WATCH**

(71) Applicant: **Turlen Holding SA**, Les Breuleux (CH)

(72) Inventor: **Richard Mille**, Moulins (FR)

(73) Assignee: **TURLEN HOLDING SA**, Les Breuleux (CH)

(**) Term: **15 Years**

(21) Appl. No.: **29/698,114**

(22) Filed: **Jul. 15, 2019**

(30) **Foreign Application Priority Data**

Apr. 2, 2019 (WO) WIPO82240

(51) **LOC (12) Cl.** **10-02**

(52) **U.S. Cl.**
USPC **D10/39**

(58) **Field of Classification Search**
USPC D10/1, 30-39, 122-126
CPC G04B 37/00; G04B 37/0008; G04B 37/04;
G04B 37/06; G04B 37/12; G04B 37/18;
G04B 39/00; G04B 39/002; G04B
39/004; G04B 39/008; G04B 39/02;
G04B 19/00; G04B 19/02; G04B 19/04;
G04B 19/06; G04B 19/08; G04B 19/20
See application file for complete search history.

(56) **References Cited**

U.S. PATENT DOCUMENTS

D252,859 S * 9/1979 Perrin D10/39
D377,315 S * 1/1997 Moriai D10/30

D470,061 S * 2/2003 Mittersinker D10/39
D562,716 S * 2/2008 Kume D10/126
D581,813 S * 12/2008 Min D10/32
D586,238 S * 2/2009 Loth D10/32
D617,662 S * 6/2010 Monachon D10/32
D646,589 S * 10/2011 Mille D10/39
D648,639 S * 11/2011 Mille D10/39
D694,657 S * 12/2013 Mille D10/39
D708,075 S * 7/2014 Mille D10/39
D710,216 S * 8/2014 Mille D10/38
D756,245 S * 5/2016 Mille D10/39
D756,805 S * 5/2016 Delhotal D10/30
D847,665 S * 5/2019 Behling D10/39

* cited by examiner

Primary Examiner — Sheryl Lane

Assistant Examiner — Samantha N Wood

(74) *Attorney, Agent, or Firm* — Donald J. Ranft; Collen

(57) **CLAIM**

The ornamental design for a watch, as shown.

DESCRIPTION

FIG. 1 is a front right perspective view of a watch showing my new design;
FIG. 2 is a rear left perspective view thereof;
FIG. 3 is a front left perspective view thereof;
FIG. 4 is a rear right perspective view thereof;
FIG. 5 is a front view thereof;
FIG. 6 is a rear view thereof;
FIG. 7 is a left side view thereof;
FIG. 8 is a right side view thereof;
FIG. 9 is a top view thereof; and,
FIG. 10 is a bottom view thereof.

1 Claim, 8 Drawing Sheets





FIG. 1



FIG. 2



FIG. 3



FIG. 4



FIG. 5



FIG. 6

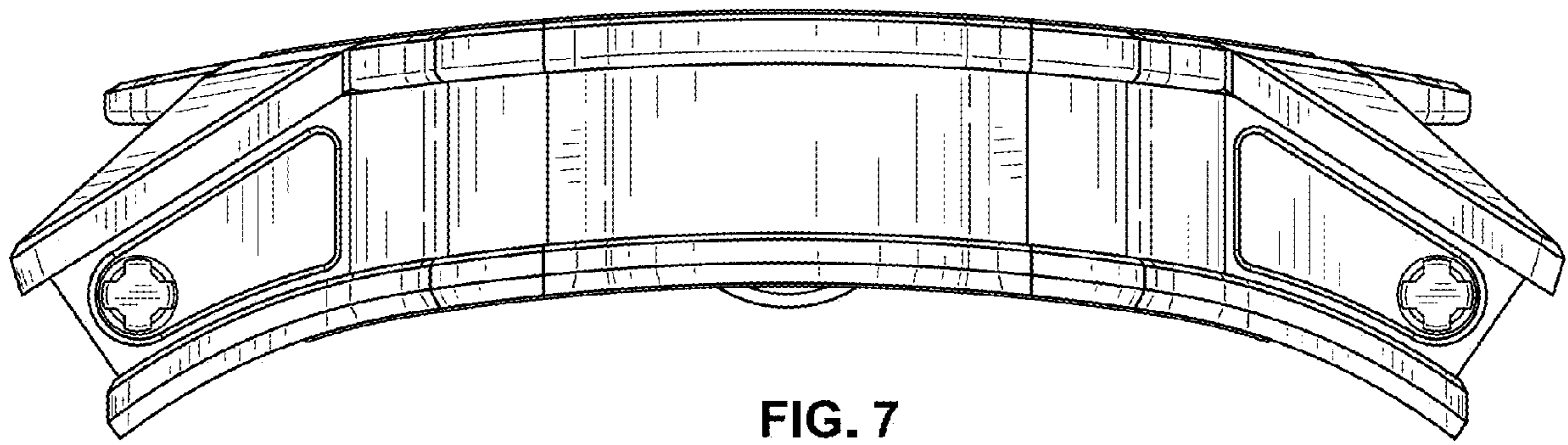


FIG. 7

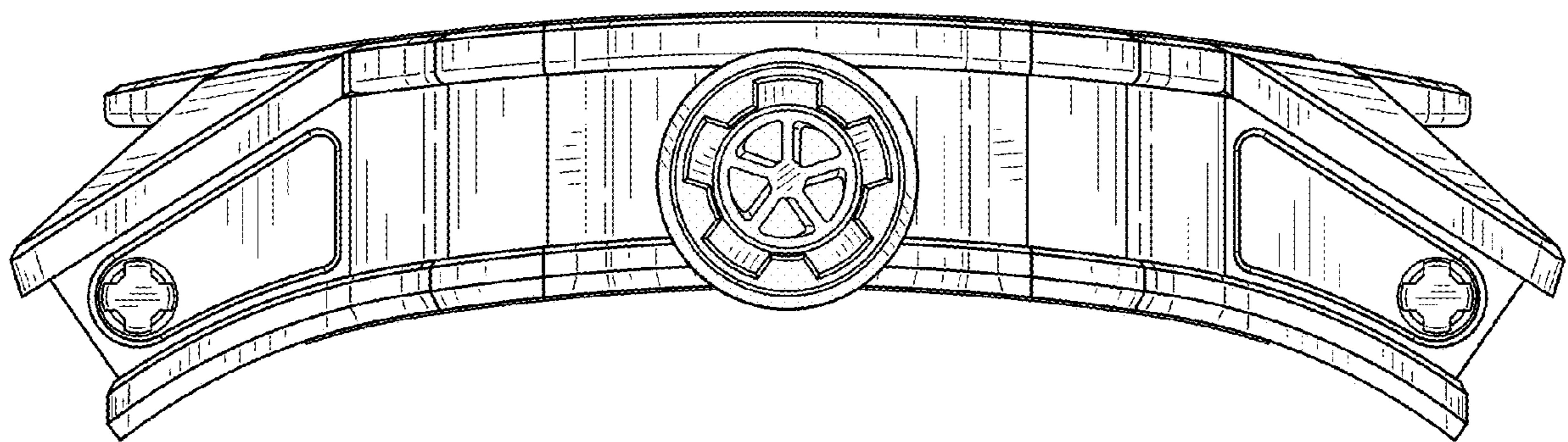


FIG. 8

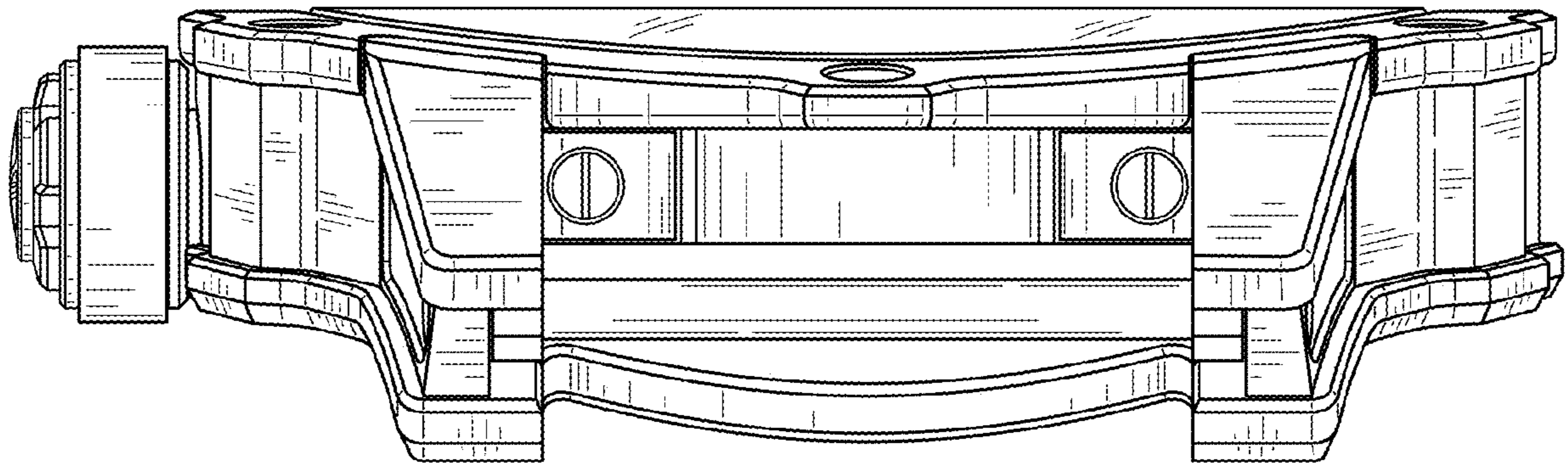


FIG. 9

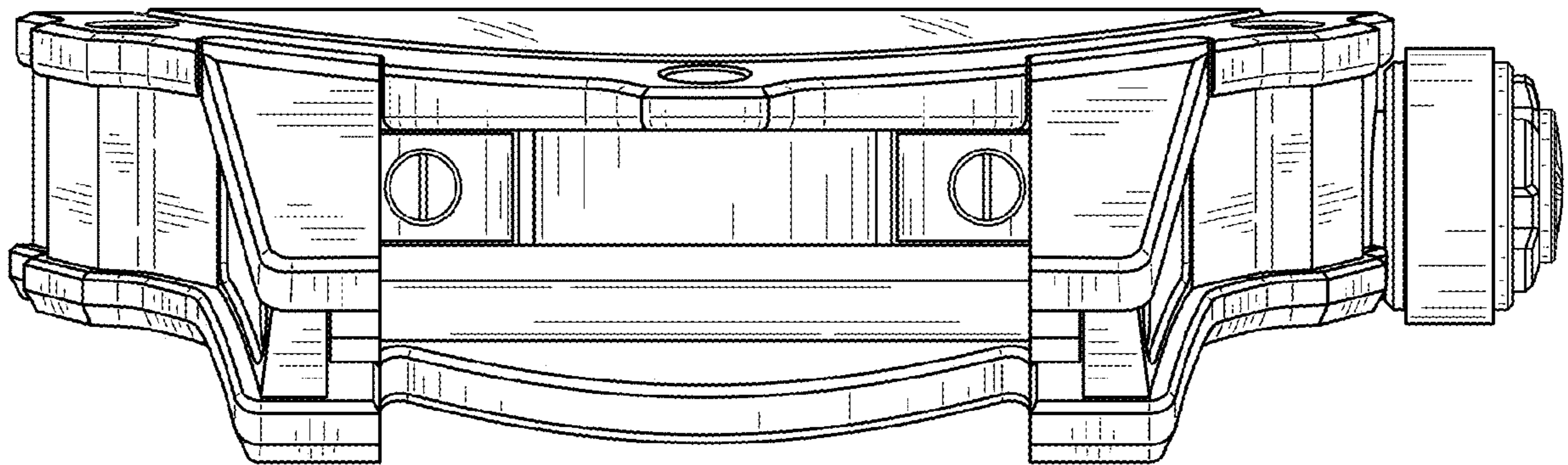


FIG. 10