



US00D897868S

(12) **United States Design Patent**
Wright et al.

(10) **Patent No.:** **US D897,868 S**
(45) **Date of Patent:** **** Oct. 6, 2020**

(54) **WATCH CASE**

(71) Applicant: **CATALYST LIFESTYLE LIMITED**,
North Point (HK)

(72) Inventors: **Joshua Wright**, Hong Kong Sar (CN);
June Lai, Hong Kong Sar (CN)

(73) Assignee: **Catalyst Lifestyle Limited**, Hong Kong
(CN)

(**) Term: **15 Years**

(21) Appl. No.: **29/614,919**

(22) Filed: **Aug. 24, 2017**

Related U.S. Application Data

(62) Division of application No. 29/583,009, filed on Nov.
1, 2016, now Pat. No. Des. 799,344.

(51) **LOC (12) Cl.** **10-02**

(52) **U.S. Cl.**
USPC **D10/32**

(58) **Field of Classification Search**
USPC D10/1-41, 122, 124, 125, 128-130, 70,
D10/104.1, 104.2, 103, 106.92; D14/170,
D14/171, 371, 374, 375, 376, 217, 344,
D14/432, 447, 448; D24/186
CPC G04C 17/00; G04C 3/00; A61M 2230/00;
A61M 2230/63

See application file for complete search history.

(56) **References Cited**

U.S. PATENT DOCUMENTS

1,195,299	A	8/1916	Watcher
1,205,217	A	11/1916	Kaufman
1,986,328	A	1/1935	Dreyfus
2,136,625	A	11/1938	Lasko
2,392,787	A	1/1946	Vermot

(Continued)

FOREIGN PATENT DOCUMENTS

TW D168277 6/2015

OTHER PUBLICATIONS

Watch Case / Catalyst Case for Apple Watch / Catalyst, posted at
catalystlifestyle.comn, posting date N/A, © 2016 catalystlifestyle.
com, [online], [site visited Jun. 24, 2016], Available from Internet
<http://www.catalystlifestyle.com/collections/catalyst-case-for-apple-watch/products/catalyst-apple-watch-42mm>.

(Continued)

Primary Examiner — Sandra S Snapp

(74) *Attorney, Agent, or Firm* — Dinsmore & Shohl LLP

(57) **CLAIM**

The ornamental design for a watch case, as shown and
described.

DESCRIPTION

FIG. 1 is a perspective view including a rear, top and one
side of the watch case;

FIG. 2 is a perspective view including a front, top and one
side of the watch case, wherein a watch is shown within the
case in broken lines;

FIG. 3 is a side elevation view of the watch case of FIG. 1;

FIG. 4 is an opposite side elevation view of the watch case
of FIG. 1;

FIG. 5 is a front elevation view of the watch case of FIG. 1;

FIG. 6 is a rear elevation view of the watch case of FIG. 1;

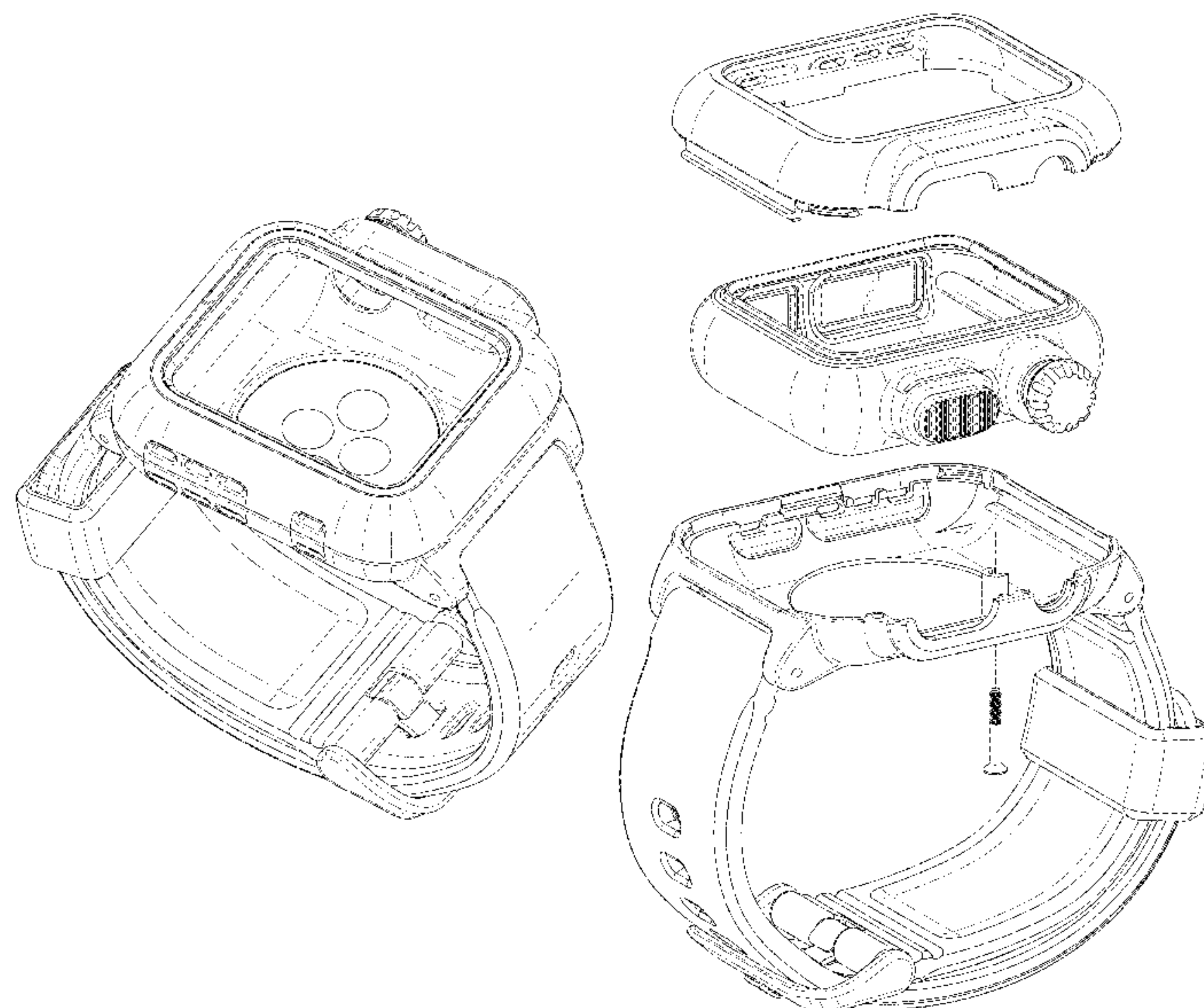
FIG. 7 is a top plan view of the watch case of FIG. 2;

FIG. 8 is a bottom plan view of the watch case of FIG. 1;
and,

FIG. 9 is an exploded perspective view of the front, a top,
and a side of the watch case of FIG. 1.

The broken lines shown in the drawings depict portions of
a watch and form no part of the claimed design.

1 Claim, 9 Drawing Sheets



(56)

References Cited

U.S. PATENT DOCUMENTS

D157,606 S 3/1950 Lachman
 3,789,601 A 2/1974 Bergey
 3,800,525 A 4/1974 Bergey
 3,992,874 A 11/1976 Collins
 4,236,239 A 11/1980 Imgruth et al.
 4,390,288 A 6/1983 Amoux
 D278,685 S 5/1985 Suzuki et al.
 D279,081 S 6/1985 Suzuki et al.
 D283,014 S 3/1986 Suzuki et al.
 D290,234 S 6/1987 Komatsu
 D293,417 S 12/1987 Sakamaki
 D341,092 S 11/1993 Wild
 D351,799 S 10/1994 Bulgari
 5,477,508 A 12/1995 Will
 D386,094 S 11/1997 Ventrella
 D396,647 S 8/1998 Sugisawa
 D451,419 S 12/2001 Tomimatsu
 D453,298 S 2/2002 Yoshikawa et al.
 D465,163 S 11/2002 Bodino
 D507,975 S 8/2005 Dreyfuss
 D517,430 S 3/2006 TerMeer et al.
 D528,440 S 9/2006 Lovegrove
 D528,441 S 9/2006 Burton
 D528,928 S 9/2006 Burton
 D539,671 S 4/2007 Lassigne
 D564,367 S 3/2008 Molyneux
 D603,827 S 11/2009 Tompkin et al.
 D638,312 S 5/2011 Jacobs
 D638,324 S 5/2011 Tang
 7,946,758 B2 5/2011 Mooring
 D645,031 S 9/2011 Richardson et al.
 D657,262 S 4/2012 Pulli
 D664,046 S 7/2012 Claessens
 D666,924 S 9/2012 Ahlstrom
 D672,255 S 12/2012 Zanella et al.
 D672,265 S 12/2012 Pulli
 D673,477 S 1/2013 Szellos
 8,345,412 B2 1/2013 Maravilla et al.
 D683,338 S 5/2013 Wilson et al.
 D688,582 S 8/2013 Wilson
 D688,967 S 9/2013 Wilson
 D693,251 S 11/2013 Anderssen et al.
 D709,057 S 7/2014 Wilson et al.
 8,787,009 B2 7/2014 Wilson et al.
 D716,786 S 11/2014 Wilson et al.
 D717,678 S 11/2014 Anderssen et al.
 8,967,437 B2 3/2015 Wilson
 D727,194 S 4/2015 Wilson
 9,007,758 B2 4/2015 Wilson et al.
 D729,218 S 5/2015 Wilson et al.
 D737,159 S * 8/2015 Akana D10/32
 9,101,184 B2 8/2015 Wilson
 D739,768 S 9/2015 Hanshew et al.
 D741,726 S 10/2015 Akana et al.
 D742,254 S 11/2015 Greusel et al.
 D742,761 S 11/2015 Grazian et al.
 D744,356 S 12/2015 Akana et al.
 D745,421 S 12/2015 Akana et al.
 9,223,346 B2 12/2015 Wilson

D746,707 S 1/2016 Akana et al.
 D751,067 S 3/2016 Nousiainen
 D751,550 S 3/2016 Solomon et al.
 D751,558 S 3/2016 Lee
 D752,044 S 3/2016 Akana et al.
 D752,579 S 3/2016 Lee
 D752,996 S 4/2016 Ebersold
 D755,393 S 5/2016 Amsler
 D756,357 S 5/2016 Akana et al.
 D756,824 S * 5/2016 Akana D10/103
 D759,725 S 6/2016 Akana et al.
 D765,072 S 8/2016 Kwon
 D766,904 S 9/2016 Jung
 D766,905 S 9/2016 Lee
 D766,906 S 9/2016 Kim
 D767,573 S 9/2016 Kim
 D769,879 S 10/2016 Kim
 D771,504 S 11/2016 Lai et al.
 D772,730 S 11/2016 Lai et al.
 D780,740 S * 3/2017 Kim D14/250
 D790,517 S * 6/2017 Akana D14/244
 D791,188 S * 7/2017 Akana D10/32
 D795,089 S * 8/2017 Wright D10/32
 D797,150 S * 9/2017 Akana D10/32
 D797,809 S * 9/2017 Akana D10/32
 D797,810 S * 9/2017 Akana D10/32
 D798,744 S * 10/2017 Wright A45C 13/008
 D10/30
 D798,905 S * 10/2017 Akana D14/496
 D799,344 S * 10/2017 Wright D10/30
 D800,172 S * 10/2017 Akana D14/496
 D800,700 S * 10/2017 Bergman D14/217
 D824,033 S * 7/2018 Masuyama D24/167
 D839,753 S * 2/2019 Domke D10/30
 D853,878 S 7/2019 Wright et al.
 D867,179 S * 11/2019 Akana D10/70
 2010/0061191 A1 * 3/2010 Chen A44C 5/0069
 368/109
 2012/0073093 A1 3/2012 Szellos
 2013/0001263 A1 1/2013 Kai
 2013/0222139 A1 * 8/2013 Gouge A61B 5/01
 340/573.1
 2014/0022875 A1 1/2014 Scioscia
 2014/0356495 A1 12/2014 Teuscher

OTHER PUBLICATIONS

Catalyst 330ft Waterproof Case for Apple Watch Series 5 44mm I posted at amazon.com Jan. 2019 [online]. ©1996-2020, Amazon.com, Inc [retrieved Jun. 2, 2020] from Internet: <https://www.amazon.com/Catalyst-Waterproof-Silicone-Resistant-Protective/dp/B07KRZNF59> (Year: 2019).
 Office Action dated Jun. 12, 2020 pertaining to Design U.S. Appl. No. 29/679,249 filed Feb. 4, 2019, 32 pgs.
 Notice of Allowance and Fee(s) Due dated Jun. 11, 2020 pertaining to Design U.S. Appl. No. 29/614,714 filed Aug. 22, 2017, 5 pgs.
 Notice of Allowance and Fee(s) Due dated Jun. 10, 2020 pertaining to Design U.S. Appl. No. 29/614,667 filed Aug. 22, 2017, 5 pgs.

* cited by examiner



FIG. 1



FIG. 2

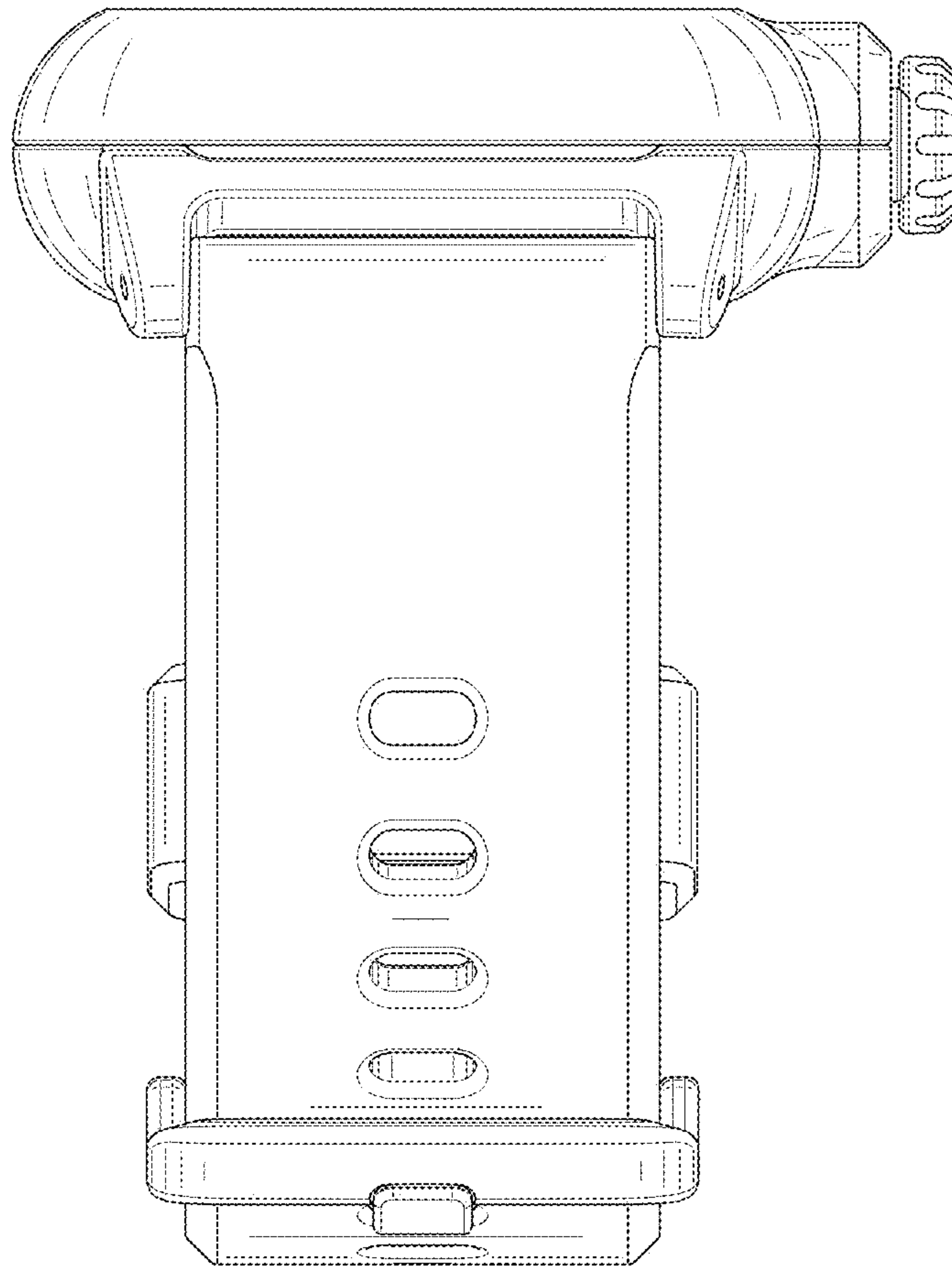


FIG. 3

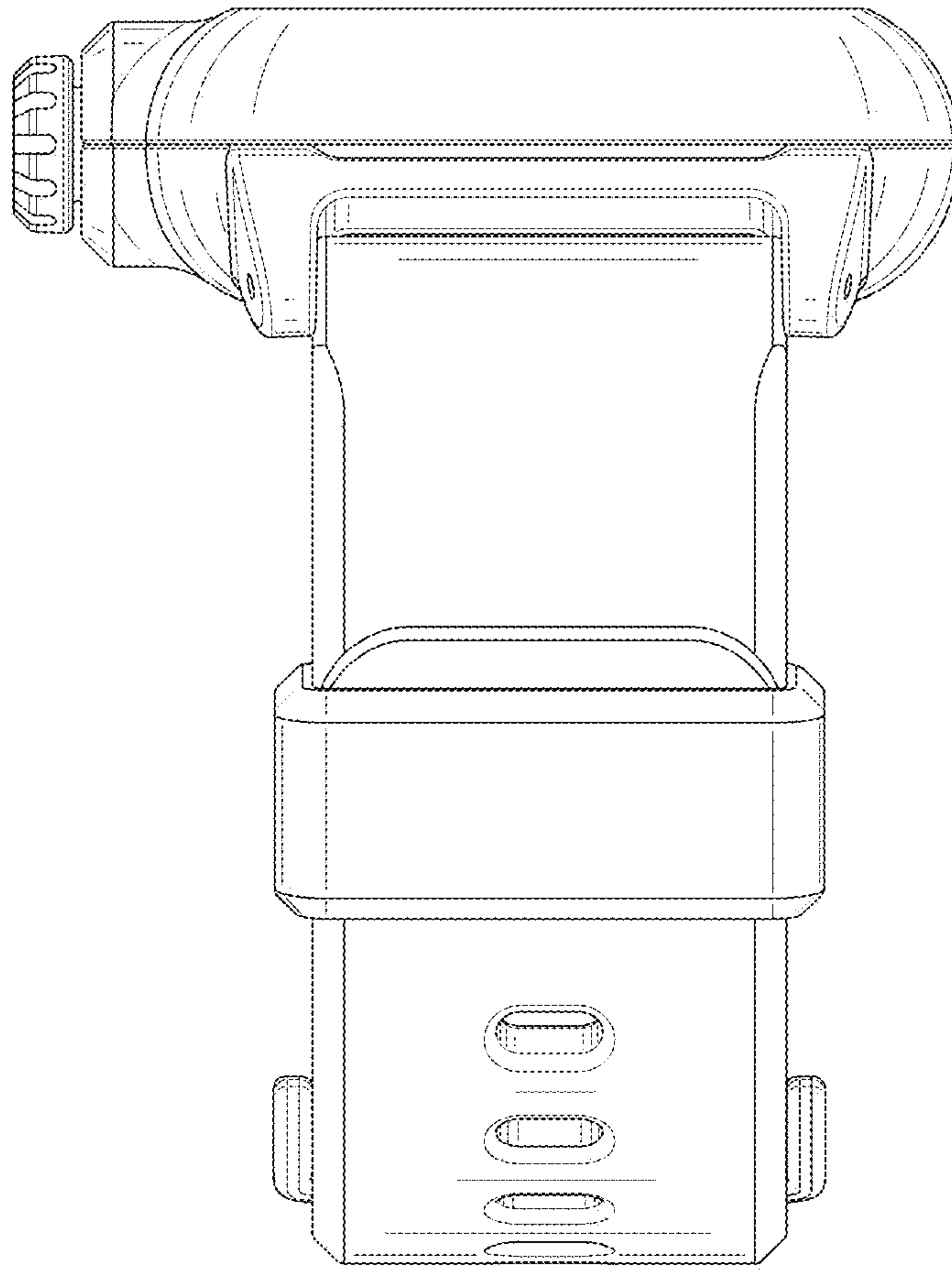


FIG. 4

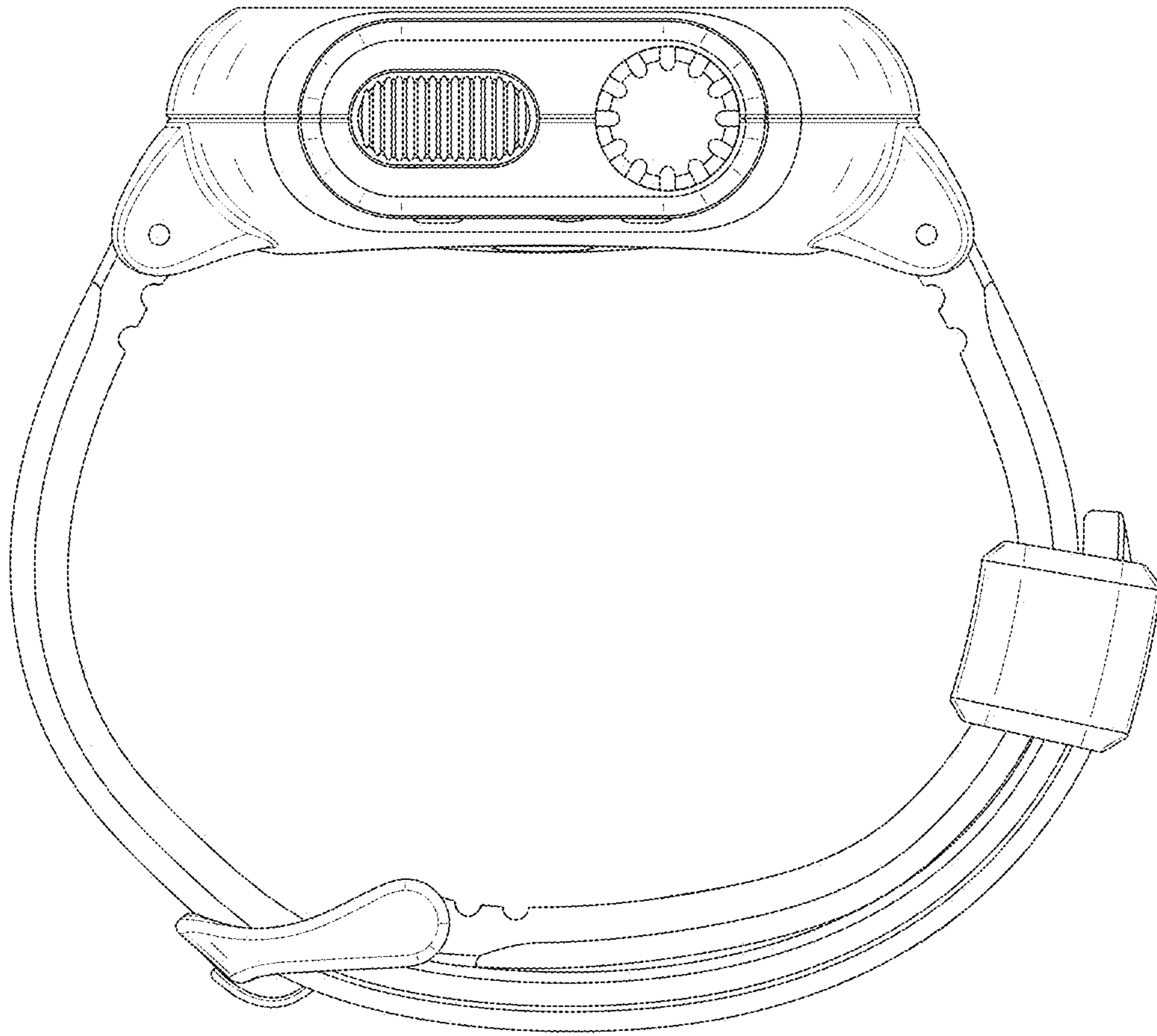


FIG. 5

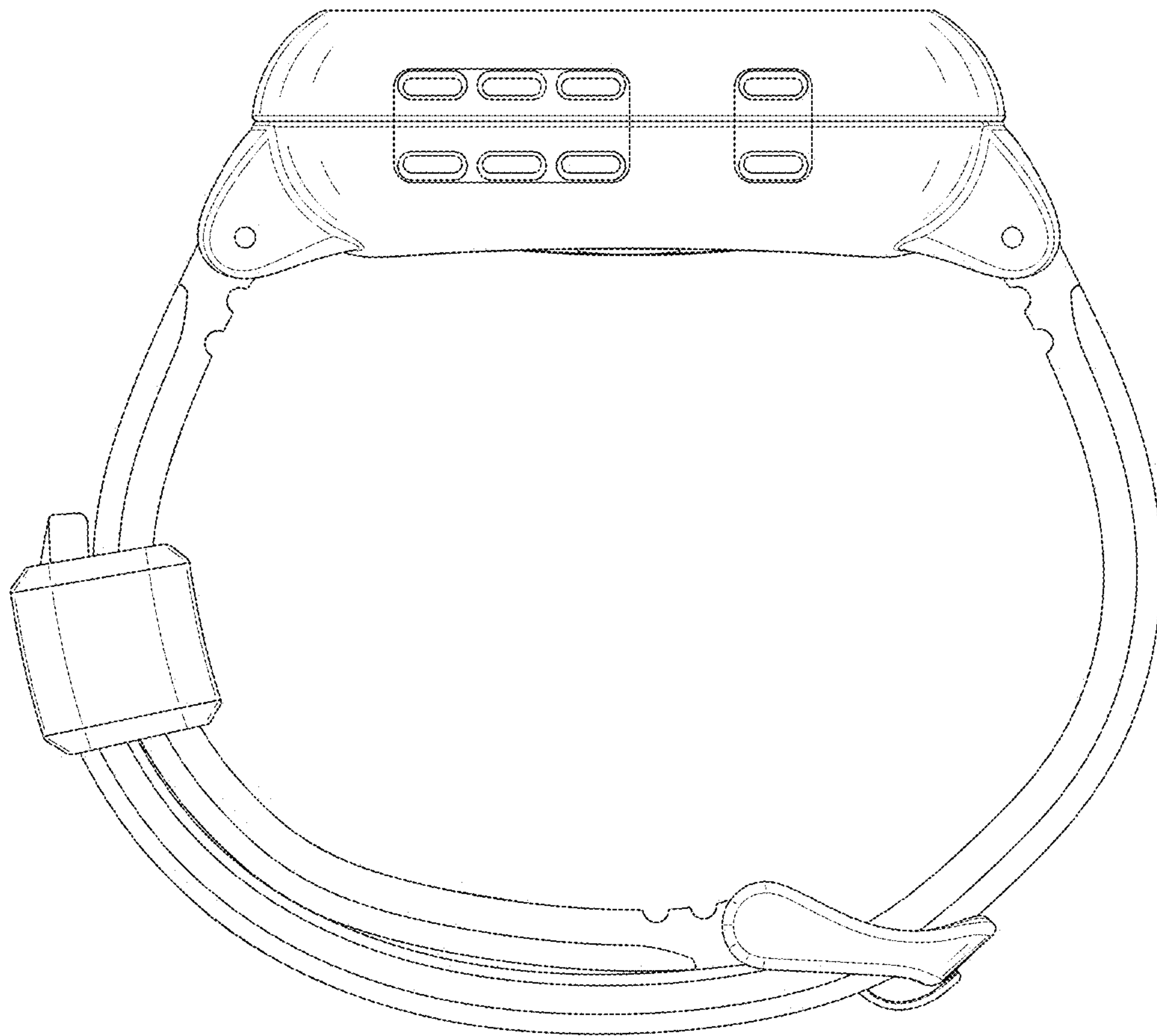


FIG. 6

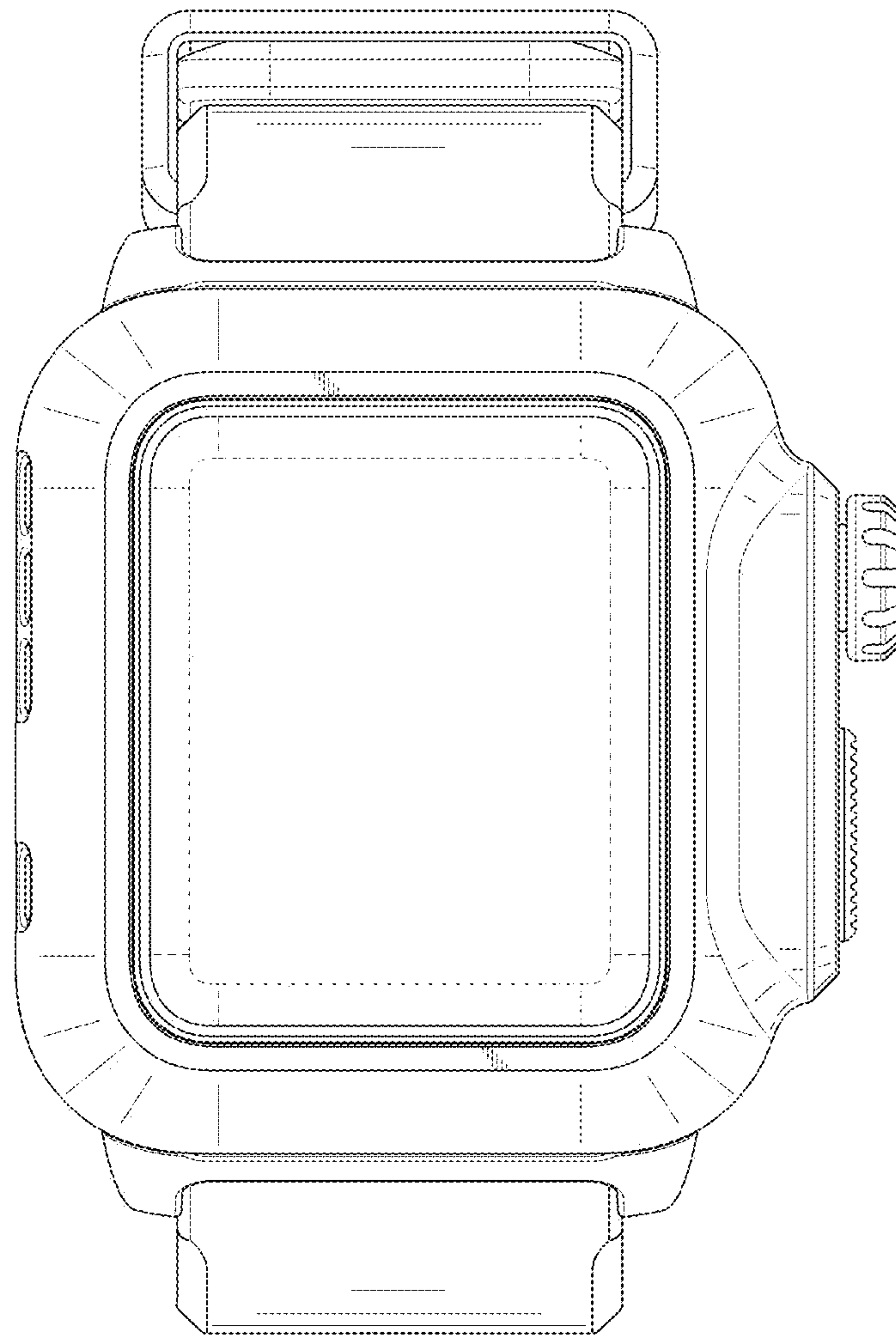


FIG. 7

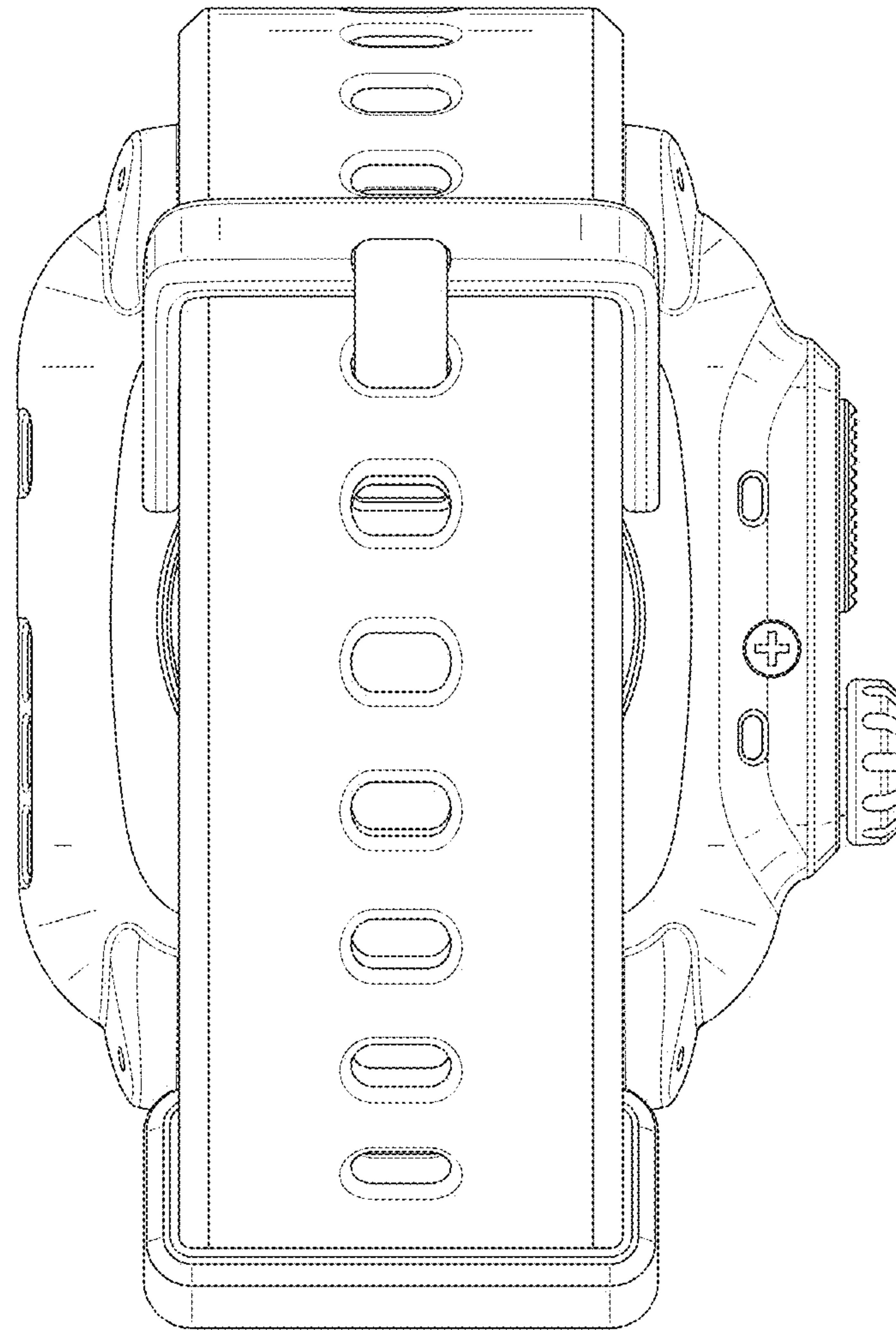


FIG. 8

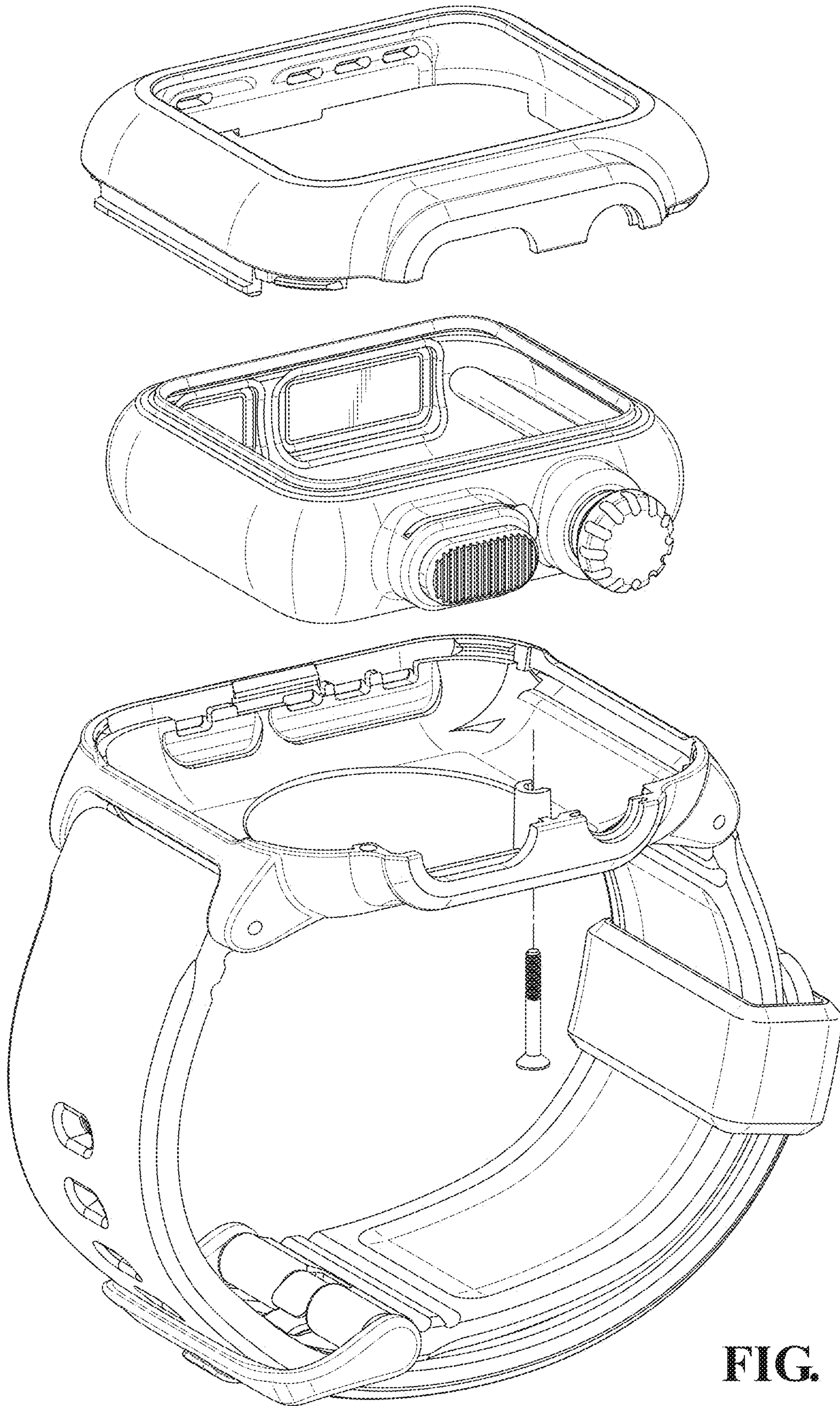


FIG. 9