



US00D897864S

(12) **United States Design Patent** (10) **Patent No.:** **US D897,864 S**  
**So** (45) **Date of Patent:** **\*\* Oct. 6, 2020**

(54) **PACKAGING CASE**  
(71) Applicant: **Dae Seob So**, Daejeon (KR)  
(72) Inventor: **Dae Seob So**, Daejeon (KR)  
(\*\*) Term: **15 Years**  
(21) Appl. No.: **29/628,487**  
(22) Filed: **Dec. 5, 2017**

(30) **Foreign Application Priority Data**

Jun. 7, 2017 (KR) ..... 30-2017-0025673

(51) **LOC (12) Cl.** ..... **09-03**

(52) **U.S. Cl.**  
USPC ..... **D9/737; D9/426**

(58) **Field of Classification Search**

USPC ..... D9/341, 347, 414-432, 440, 444, 447,  
D9/449-454, 503, 504, 737, 759, 761,  
D9/456; D7/672, 601, 550.1, 551.1,  
D7/551.2, 551.3, 552.1, 552.2, 553.1,  
D7/553.2, 553.4, 553.5, 553.7, 553.8,  
D7/554.1, 554.3, 555, 557, 602, 629, 630,  
D7/538-542, 612-615, 584, 586, 587,  
D7/392.1, 709, 502, 608, 622, 701, 703,  
D7/543-549, 317-319, 391, 392, 396.2,  
D7/510, 511; D3/273, 201-206, 276,  
D3/283, 284, 295, 274, 302, 901;  
220/575, 500, 505-507, 523, 553, 555,  
220/556; 206/216, 217, 541-550, 518,  
206/557, 558, 561, 562, 564, 223, 467;  
229/107, 406, 120, 125.17; 249/126,  
249/134; 426/106; 215/211, 200, 224,  
215/243; D28/56, 61, 73  
CPC .... B65D 85/34; B65D 85/345; B65D 43/161;  
B65D 43/162; B65D 43/16; B65D 51/28;  
B65D 2543/00194; B65D 2543/00296;  
B65D 1/24; B65D 21/0237; B65D  
2543/00101; B65D 2543/00351; B65D  
1/36; B65D 2543/00555; B65D

2581/3425; B65D 25/04; B65D 43/0218;  
B65D 2543/00083; B65D 2543/00268;  
B65D 2543/00277; B65D 81/3453; B65D  
75/327; A47G 19/02; A47G 19/065;  
A47G 23/0608; A47G 23/06; A61J 1/035  
See application file for complete search history.

(56) **References Cited**

U.S. PATENT DOCUMENTS

D242,529 S \* 11/1976 Albright et al. .... D9/737  
4,243,144 A \* 1/1981 Margulies ..... B65D 75/327  
206/469  
D262,095 S \* 12/1981 Takahashi ..... D9/415  
D357,455 S \* 4/1995 Gomes ..... D3/901  
D365,984 S \* 1/1996 Hofmann ..... D9/415  
D441,192 S \* 5/2001 Park ..... D3/294  
D478,810 S \* 8/2003 Wilson ..... D9/415  
D599,654 S \* 9/2009 Kosaka ..... D9/415  
D620,812 S \* 8/2010 Gaudenzi ..... D9/732  
D770,303 S \* 11/2016 Gelbaum ..... D9/732

(Continued)

*Primary Examiner* — W. A. Teddy Falloway  
(74) *Attorney, Agent, or Firm* — Flynn Thiel, P.C.

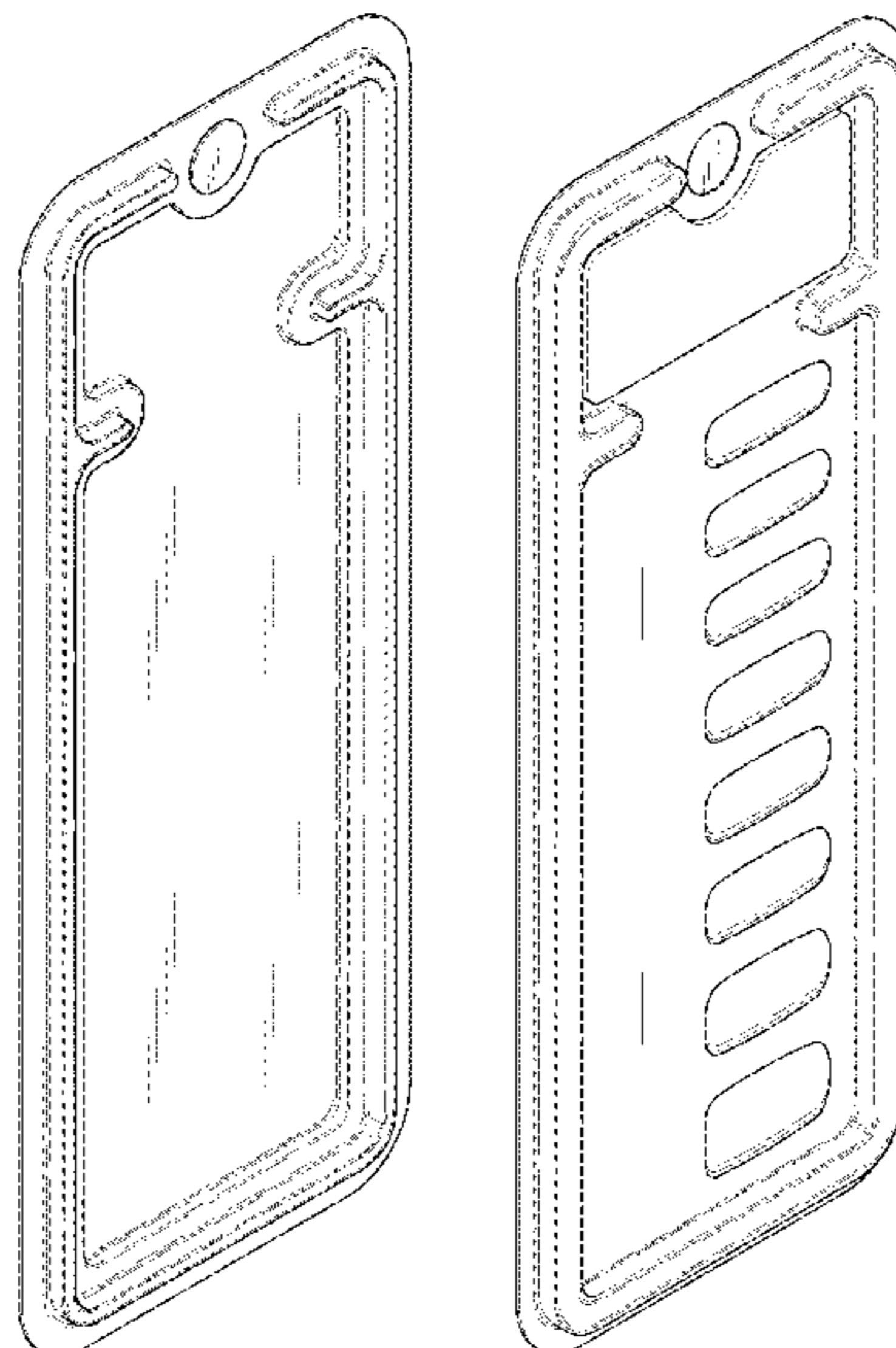
(57) **CLAIM**

The ornamental design for a packaging case, as shown and described.

**DESCRIPTION**

FIG. 1 is a perspective view of a packaging case showing my new design;  
FIG. 2 is a front view thereof;  
FIG. 3 is a rear view thereof;  
FIG. 4 is a right side view thereof;  
FIG. 5 is a left side view thereof;  
FIG. 6 is a top view thereof;  
FIG. 7 is a bottom view thereof; and,  
FIG. 8 is a reference view thereof for showing a state of disassemble.

**1 Claim, 7 Drawing Sheets**



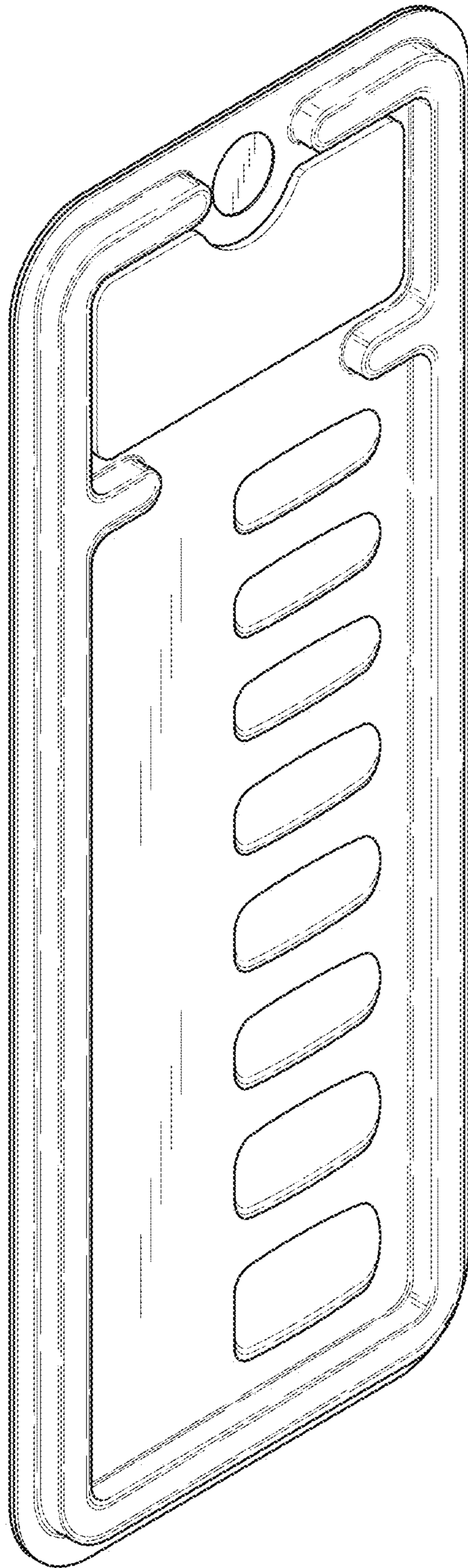
(56)

**References Cited**

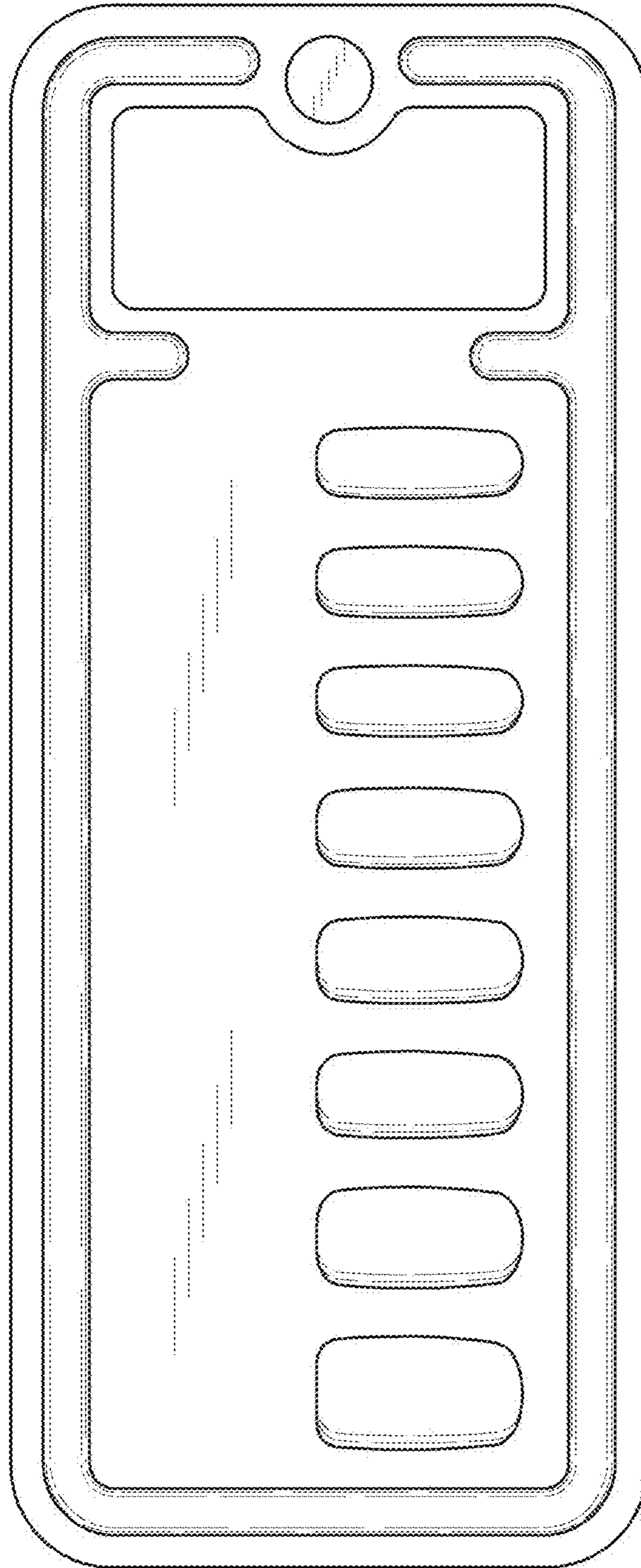
U.S. PATENT DOCUMENTS

9,642,773 B2 \* 5/2017 Gelbaum ..... A61J 1/035  
D843,850 S \* 3/2019 LoPrete ..... D9/732  
D844,428 S \* 4/2019 Stadelmaier ..... D9/415  
2010/0108677 A1 \* 5/2010 Loftin ..... A61J 1/035  
220/265  
2016/0220443 A1 \* 8/2016 Gelbaum ..... A61J 1/035

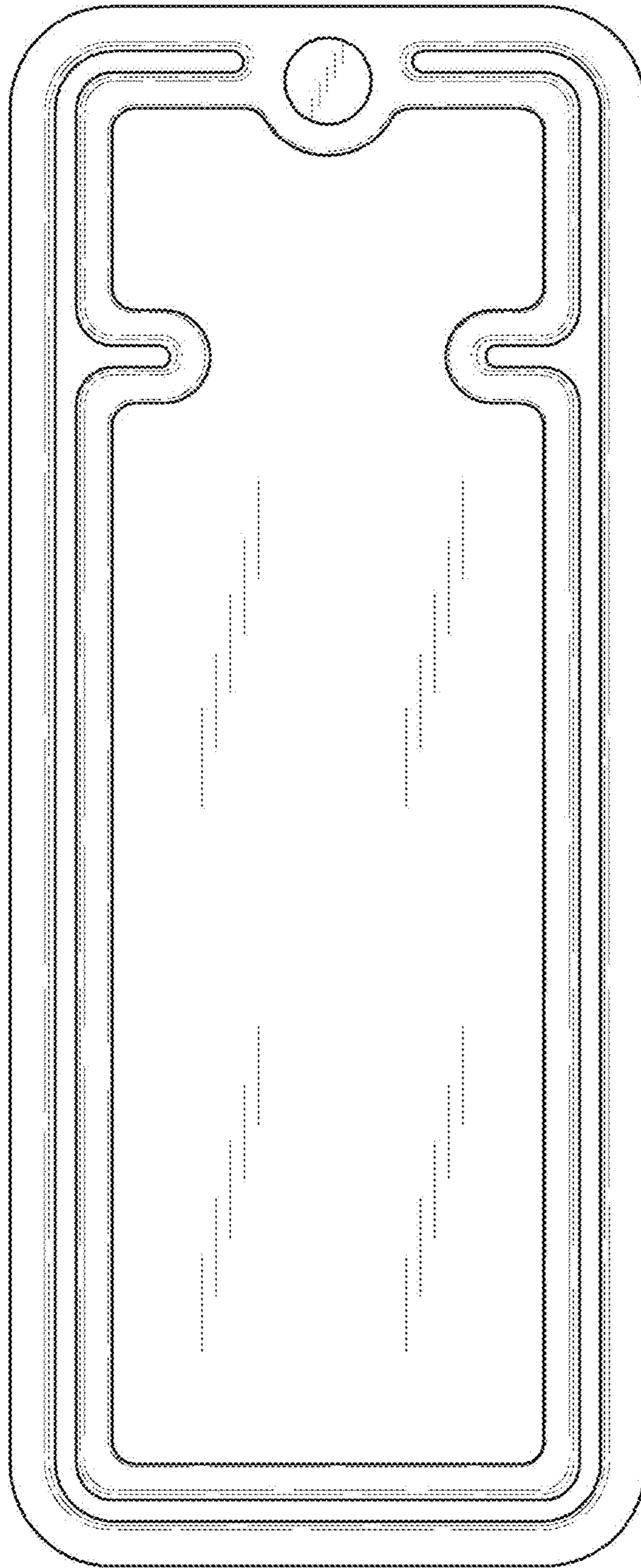
\* cited by examiner



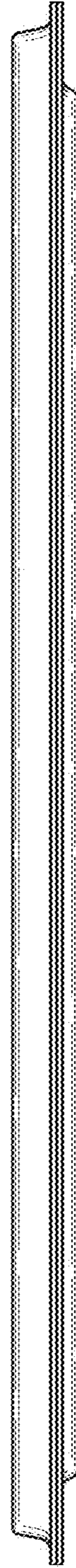
**FIG. 1**



**FIG. 2**



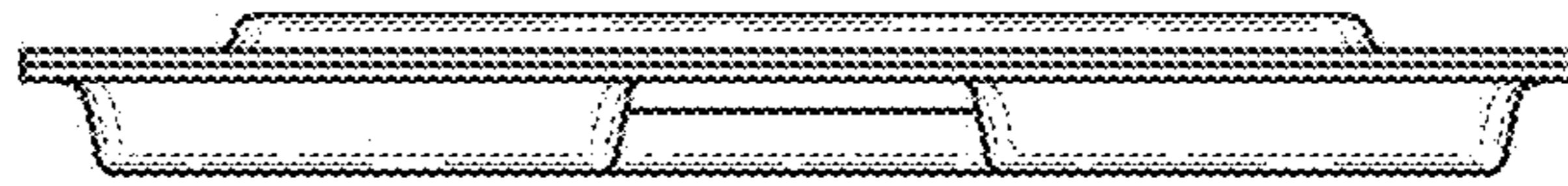
**FIG. 3**



**FIG. 4**



**FIG. 5**

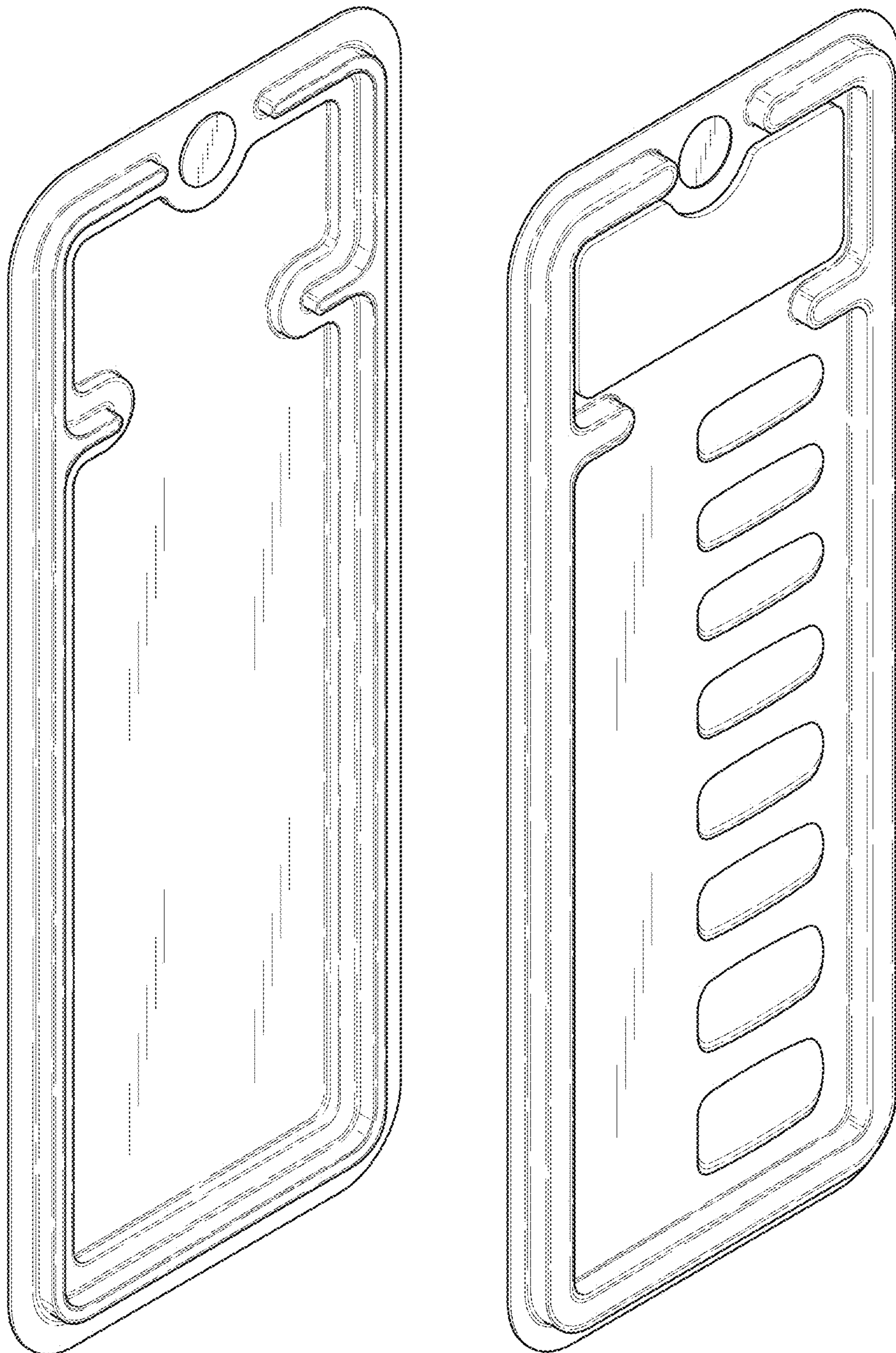


**FIG. 6**



**FIG. 7**





**FIG. 8**