



US00D897863S

(12) **United States Design Patent**
Han

(10) **Patent No.:** **US D897,863 S**

(45) **Date of Patent:** **** Oct. 6, 2020**

(54) **COSMETICS CONTAINER**

(71) Applicant: **DTS MG Co., Ltd**, Seoul (KR)

(72) Inventor: **Ki Soo Han**, Seoul (KR)

(73) Assignee: **DTS MG CO., LTD**, Seoul (KR)

(**) Term: **15 Years**

(21) Appl. No.: **29/681,794**

(22) Filed: **Feb. 28, 2019**

(51) **LOC (12) Cl.** **09-01**

(52) **U.S. Cl.**
USPC **D9/726**

(58) **Field of Classification Search**
USPC D9/442, 503, 695-699, 702-714,
D9/723-729; D24/199; D28/7;
132/317, 318, 320; 222/95, 207, 212,
222/335
CPC A45D 34/00; A45D 40/00; B65D 81/3272
See application file for complete search history.

(56) **References Cited**

U.S. PATENT DOCUMENTS

D568,473 S * 5/2008 Ashiwa D24/133
D654,376 S * 2/2012 Song D9/726

D654,811 S * 2/2012 Song D9/726
D655,621 S * 3/2012 Py D9/724
D659,549 S * 5/2012 Fera D9/726
D695,907 S * 12/2013 Duquet D24/222
D722,499 S * 2/2015 Son D9/448
D725,490 S * 3/2015 Grosso D9/726
D804,960 S * 12/2017 Krisanda D9/726

* cited by examiner

Primary Examiner — Janice Patyk

(74) *Attorney, Agent, or Firm* — Lex IP Meister, PLLC

(57) **CLAIM**

The ornamental design for a cosmetics container, as shown and described.

DESCRIPTION

FIG. 1 is a perspective view of a cosmetics container showing my new design;
FIG. 2 is a front elevational view thereof;
FIG. 3 is a rear elevational view thereof;
FIG. 4 is a left side elevational view thereof;
FIG. 5 is a right side elevational view thereof;
FIG. 6 is a top plan view thereof; and,
FIG. 7 is a bottom plan view thereof.

1 Claim, 6 Drawing Sheets

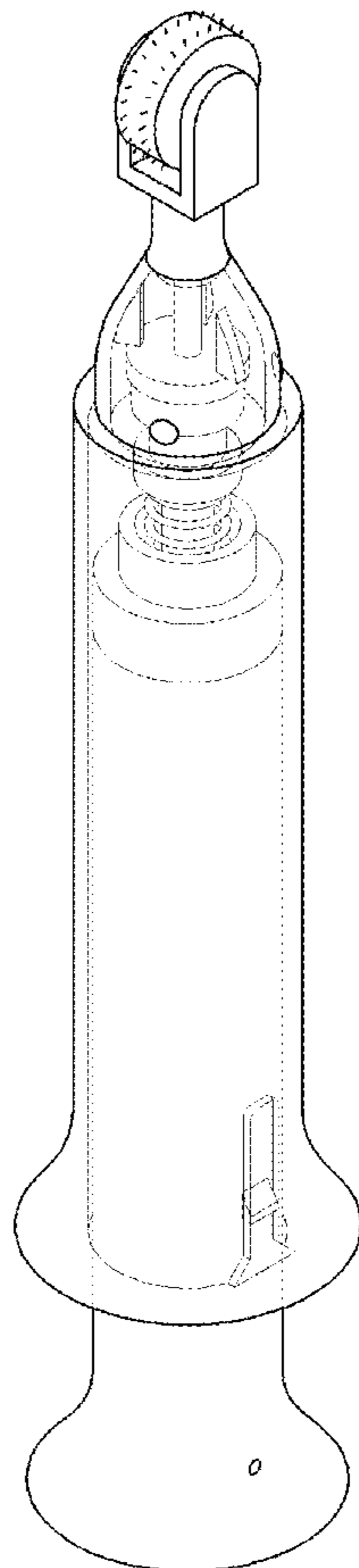


FIG. 1

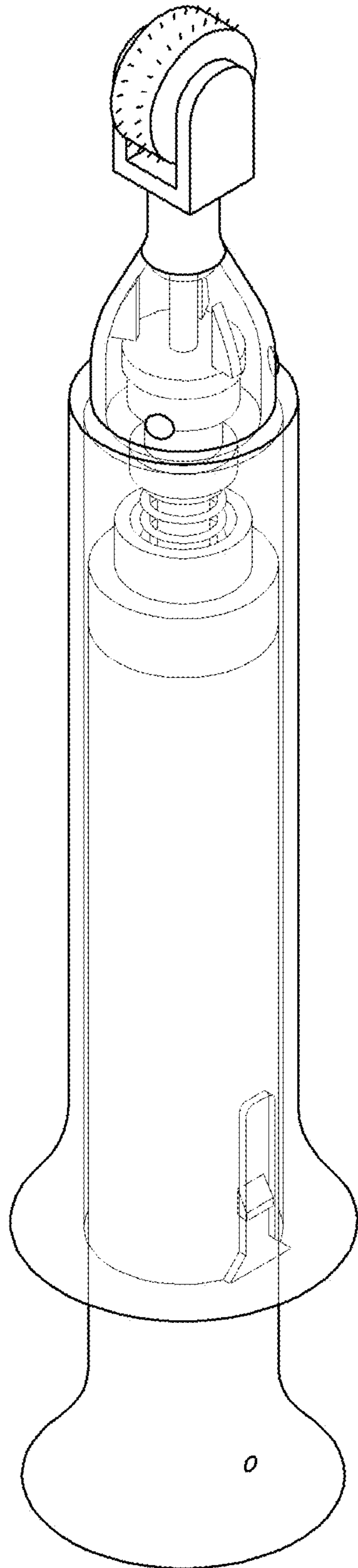


FIG. 2

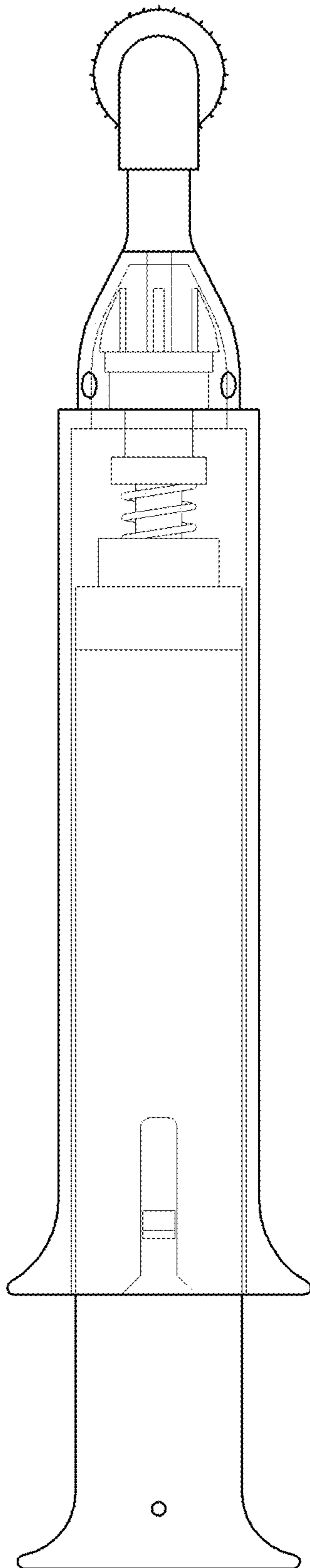


FIG. 3

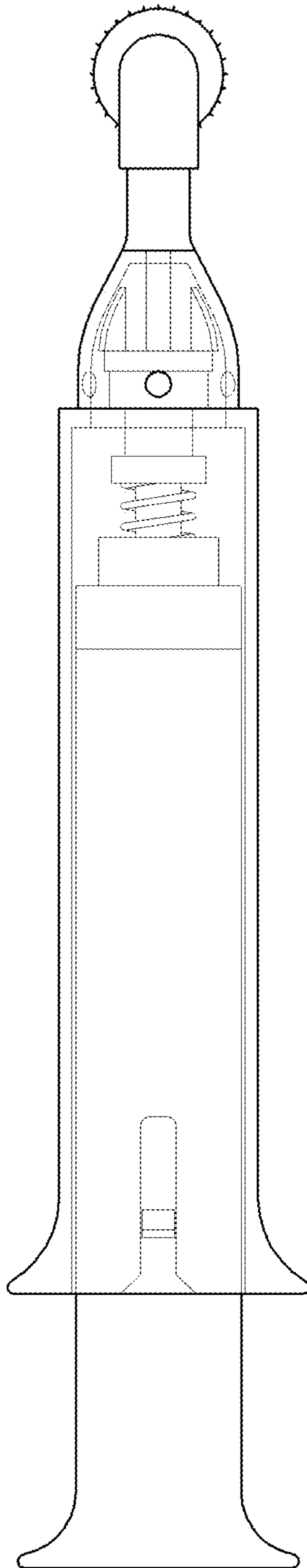


FIG. 4

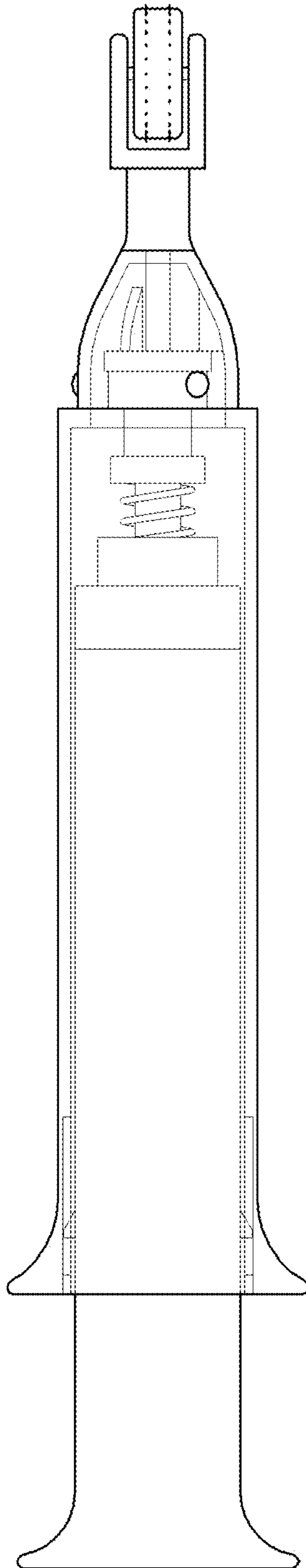


FIG. 5

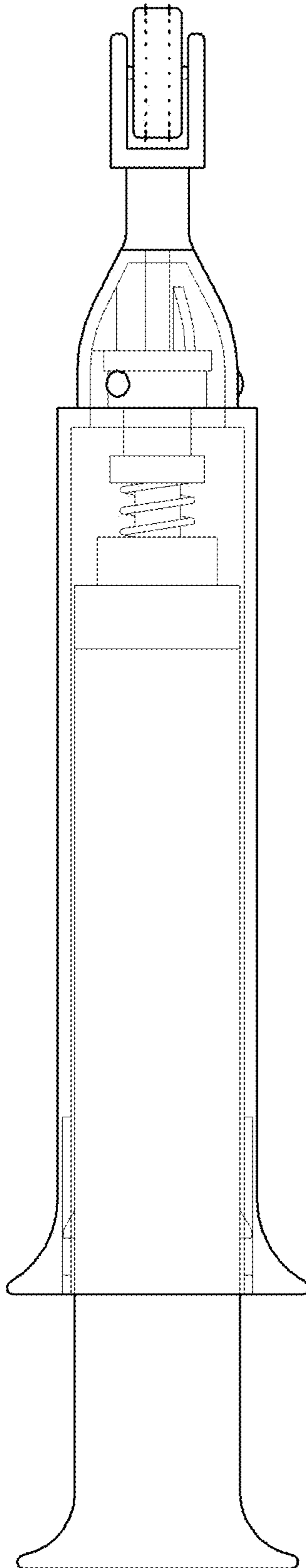


FIG. 6

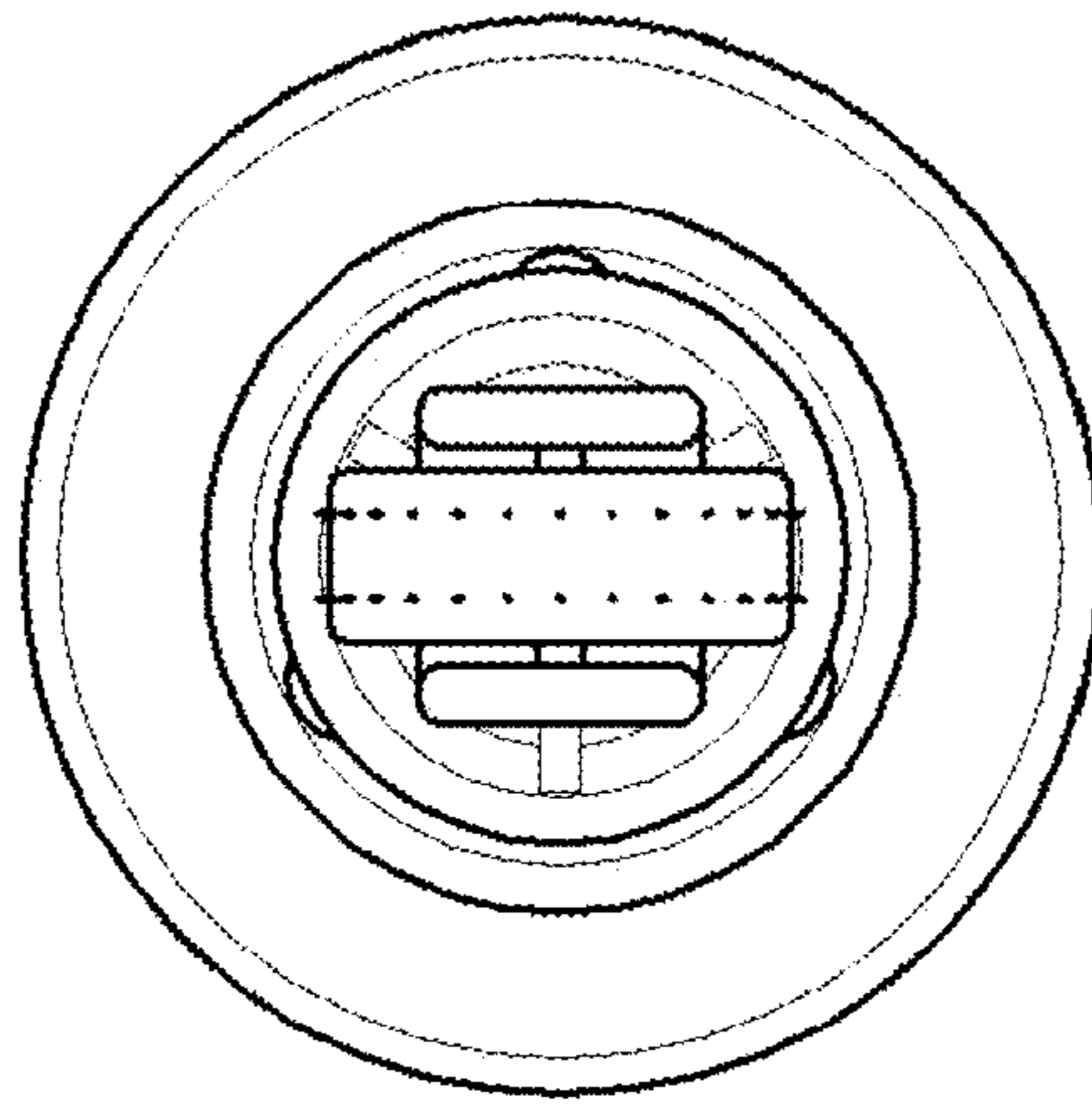


FIG. 7

