



US00D897855S

(12) **United States Design Patent** (10) **Patent No.:** **US D897,855 S**
Yip (45) **Date of Patent:** **** Oct. 6, 2020**

- (54) **CUPCAKE CONTAINER**
- (71) Applicant: **Leadsky International Enterprise Ltd., Hong Kong (HK)**
- (72) Inventor: **Chi Yan Yip, Hong Kong (HK)**
- (73) Assignee: **Leadsky International Enterprise Ltd., Hong Kong (HK)**
- (**) Term: **15 Years**
- (21) Appl. No.: **29/698,571**
- (22) Filed: **Jul. 18, 2019**

(56) **References Cited**

U.S. PATENT DOCUMENTS

D206,628 S *	1/1967	Anderson	D9/503
D354,914 S *	1/1995	Newman	D9/503
D594,285 S *	6/2009	Merey	D9/643
D629,641 S *	12/2010	Kuan	D7/354
D633,654 S *	3/2011	Berkete	D9/643
D649,905 S *	12/2011	Gulbinski	D9/643
D691,478 S *	10/2013	Yip	D9/451
D698,610 S *	2/2014	Tavoularis, II	D7/628
D698,611 S *	2/2014	Tavoularis, II	D7/628
D704,061 S *	5/2014	Yip	D9/451
D748,953 S *	2/2016	Yip	D7/610
D798,731 S *	10/2017	Huang	D9/643
D860,804 S *	9/2019	Yip	D9/643
D864,732 S *	10/2019	Yip	D9/643

* cited by examiner

Primary Examiner — Sandra L Morris

- Related U.S. Application Data**
- (62) Division of application No. 29/653,294, filed on Jun. 14, 2018, now Pat. No. Des. 864,732.
 - (51) **LOC (12) Cl.** **09-01**
 - (52) **U.S. Cl.**
USPC **D9/643**; D9/451; D9/503
 - (58) **Field of Classification Search**
USPC D3/270, 271.1–271.4; D7/510, 514–520, D7/599, 604, 610, 613, 619.2, 623, 628; D9/600, 643–647, 652, 702, 707–710, D9/441, 451; 206/457, 459.5, 527; 215/381–384, 400
CPC B65D 5/42; B65D 5/4258; B65D 81/60; B65D 81/365; B65D 81/366; B65D 81/368; B65D 2203/00; B65D 2203/02; B65D 37/00; B65D 77/00; B65D 97/00; A63H 33/16

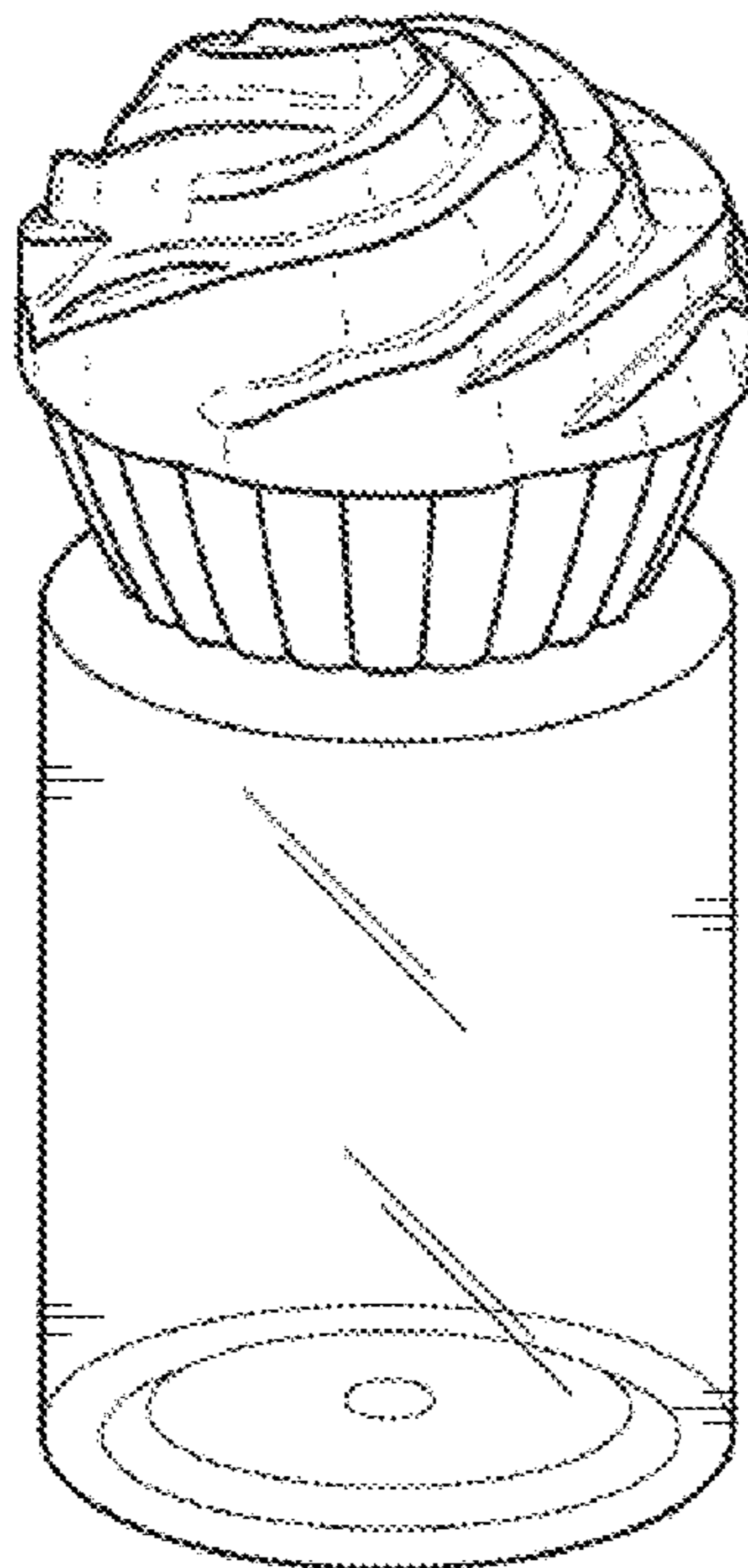
See application file for complete search history.

(57) **CLAIM**
The ornamental design for a cupcake container, as shown and described.

DESCRIPTION

FIG. 1 is a front elevational view of a cupcake container showing my new design;
 FIG. 2 is a rear elevational view thereof;
 FIG. 3 is a left side view thereof;
 FIG. 4 is a right side view thereof;
 FIG. 5 is a top plan view thereof;
 FIG. 6 is a first perspective view thereof; and,
 FIG. 7 is a second perspective view thereof.
 The oblique shade lines in the drawings indicate transparency.

1 Claim, 7 Drawing Sheets



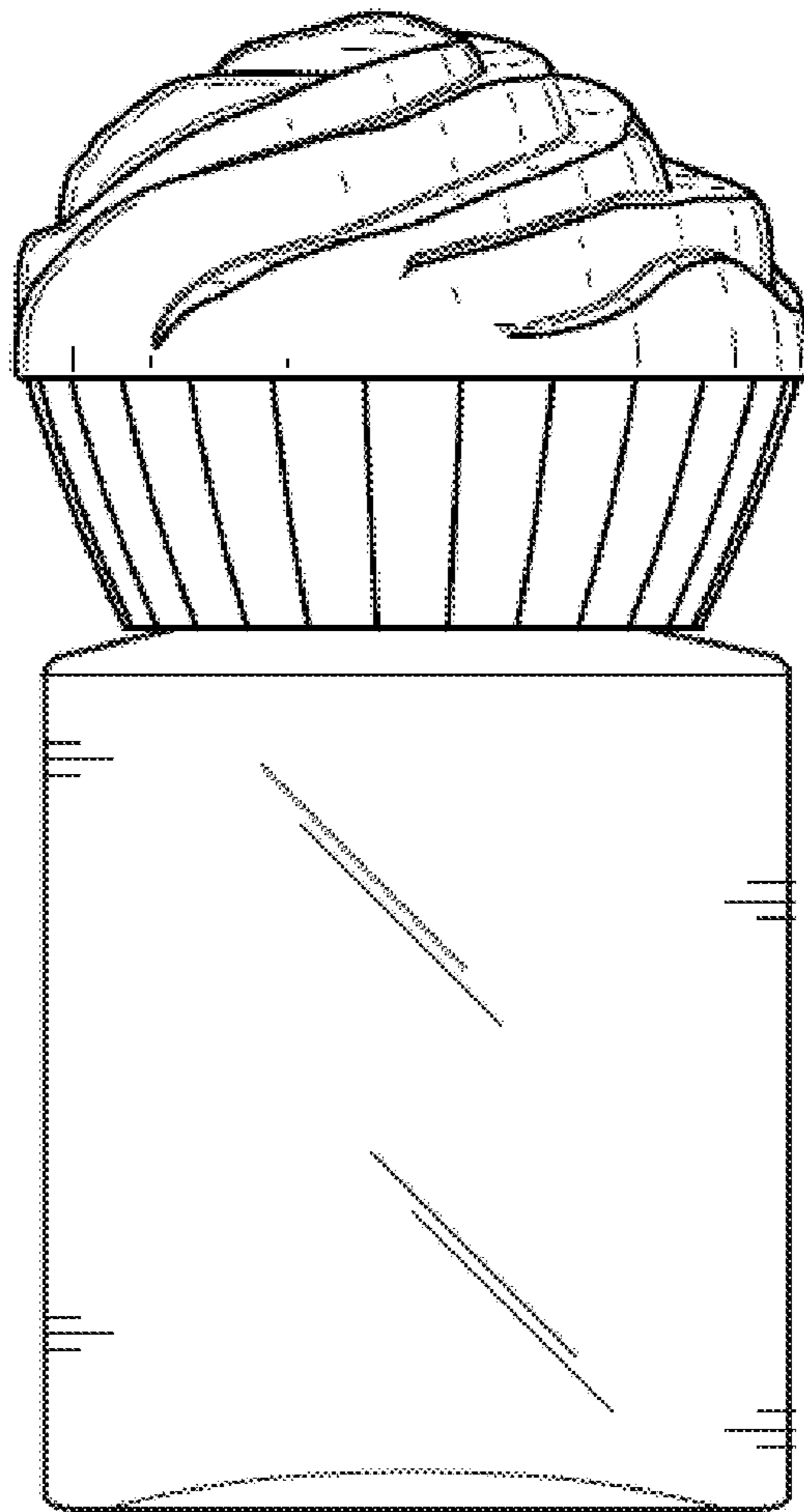


Fig. 1

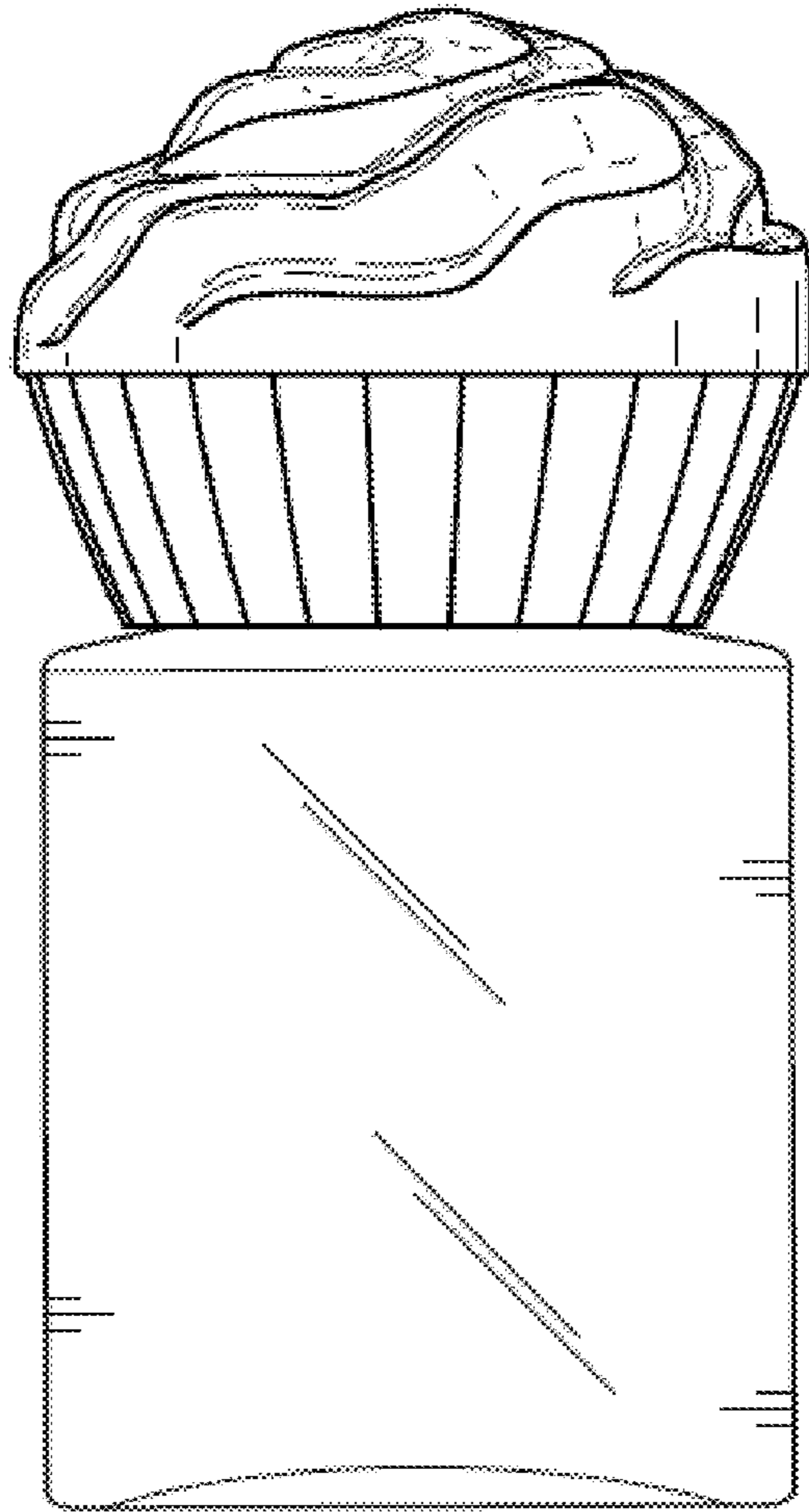


Fig. 2

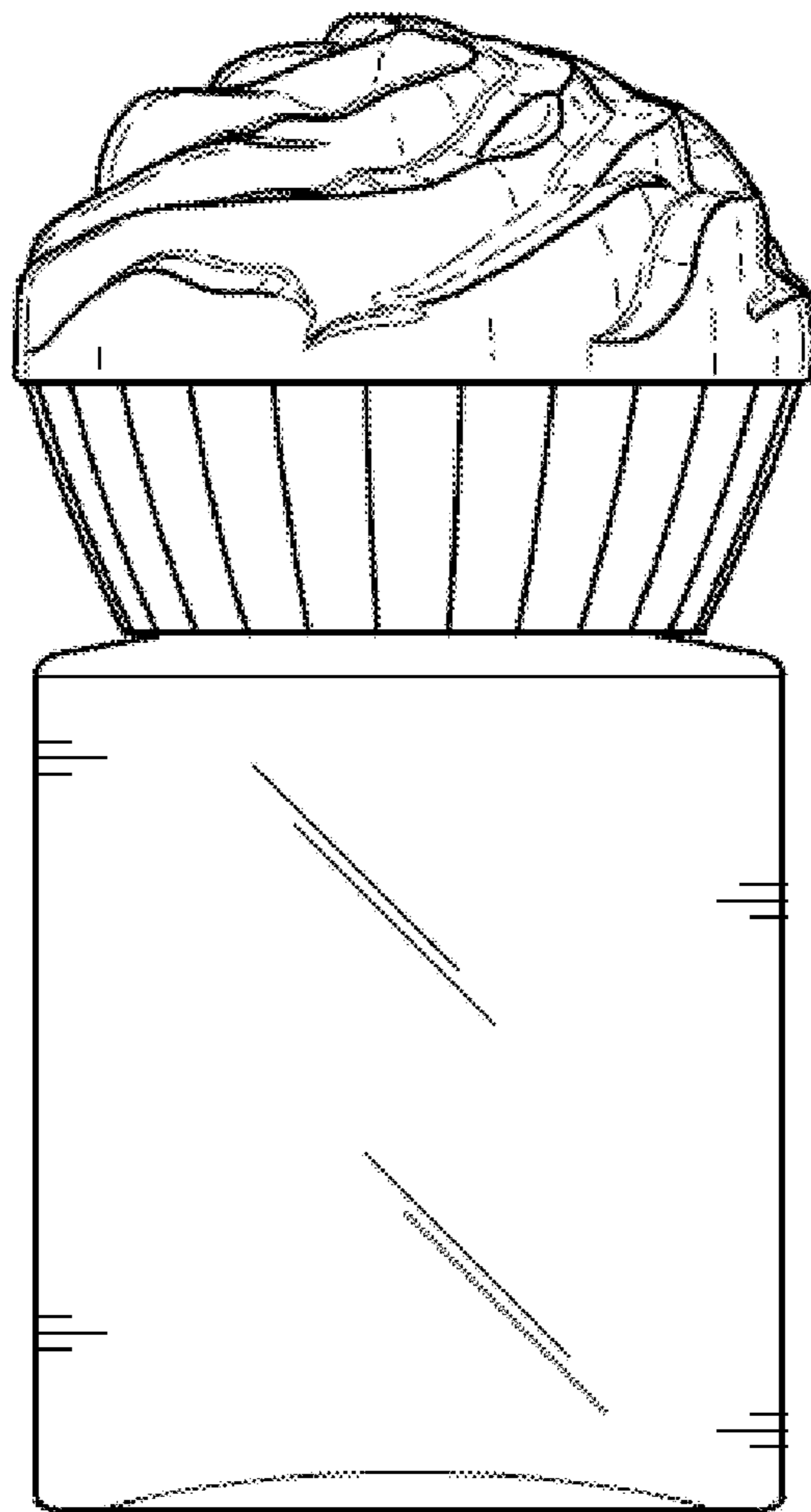


Fig. 3

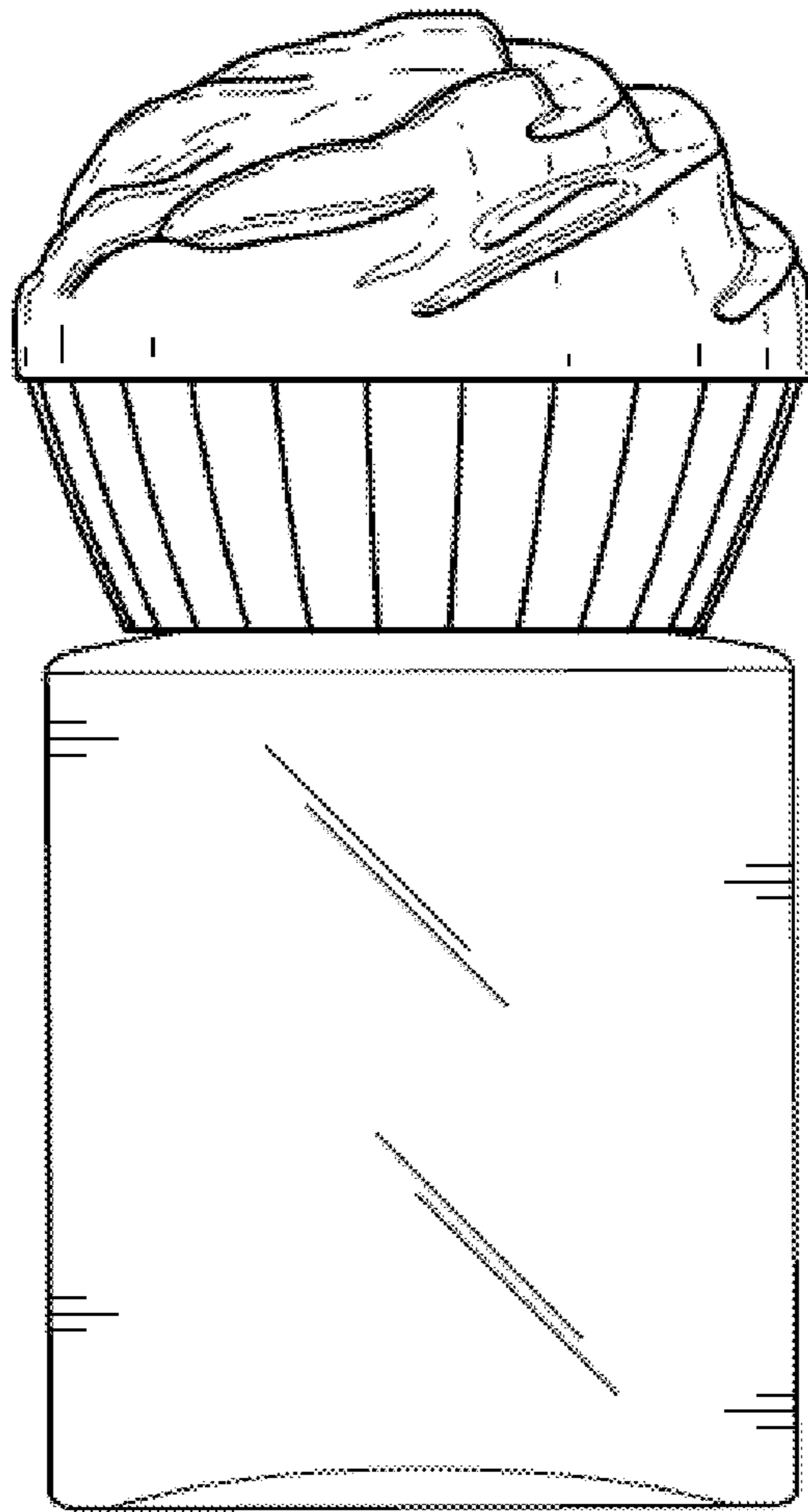


Fig. 4

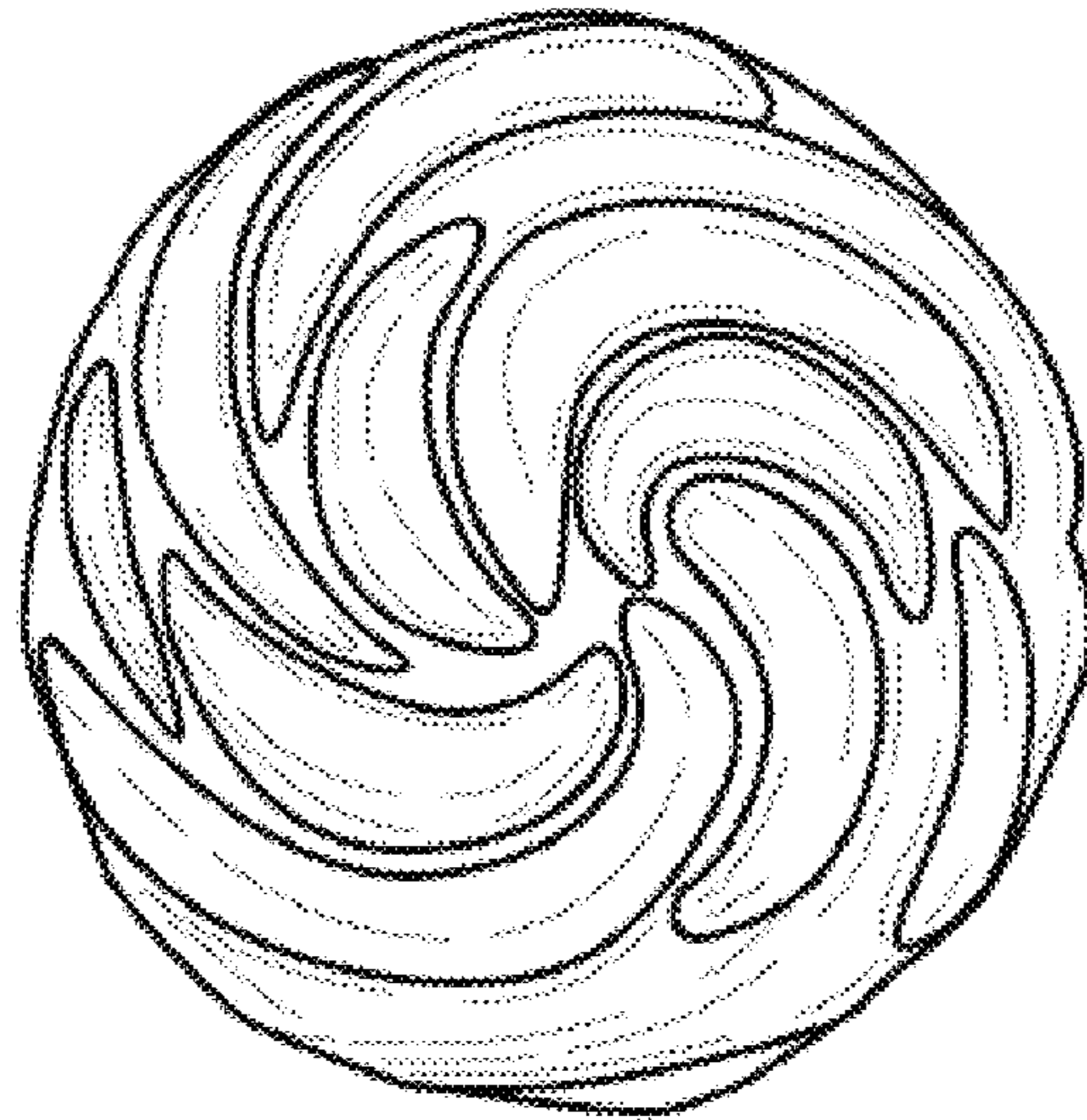


Fig. 5

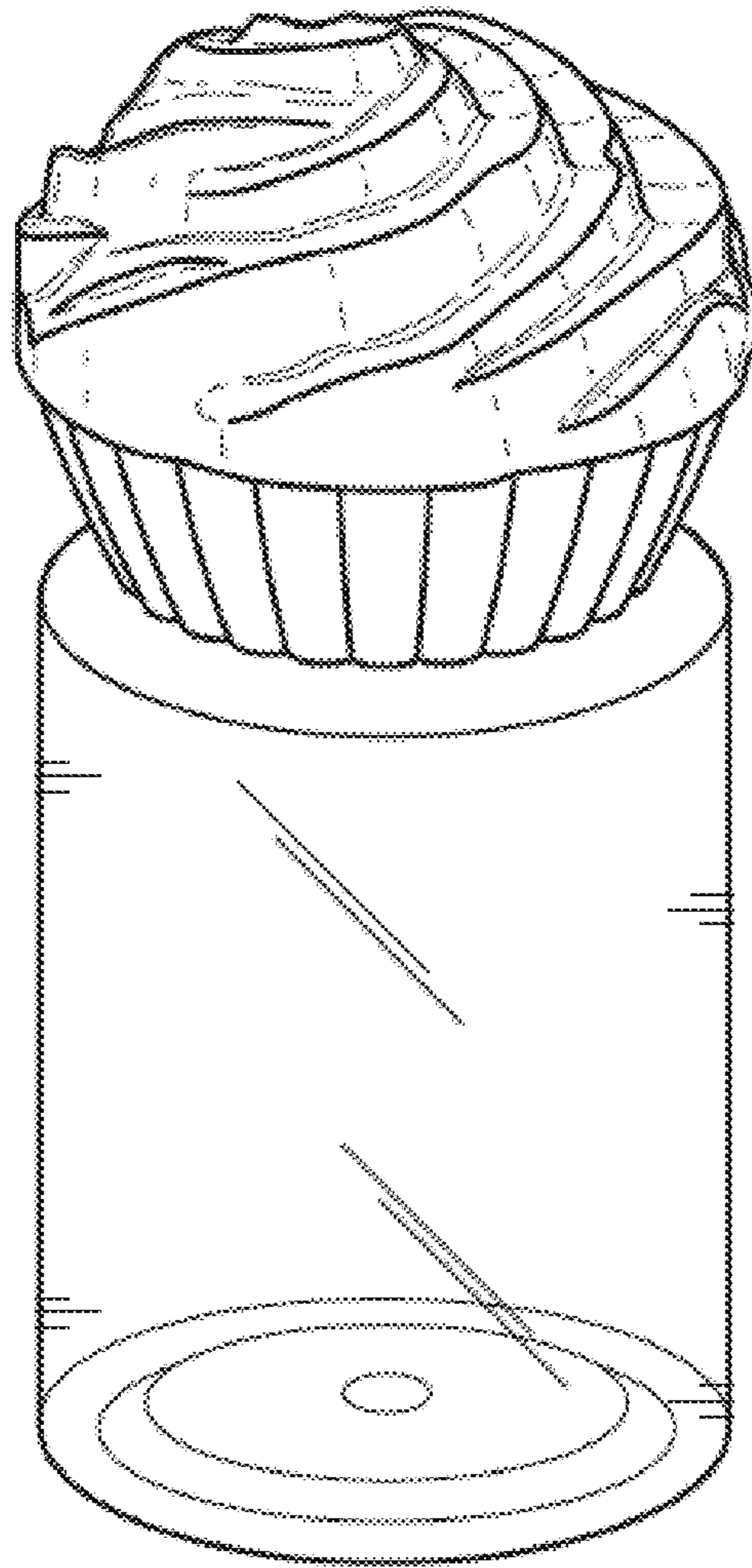


Fig. 6

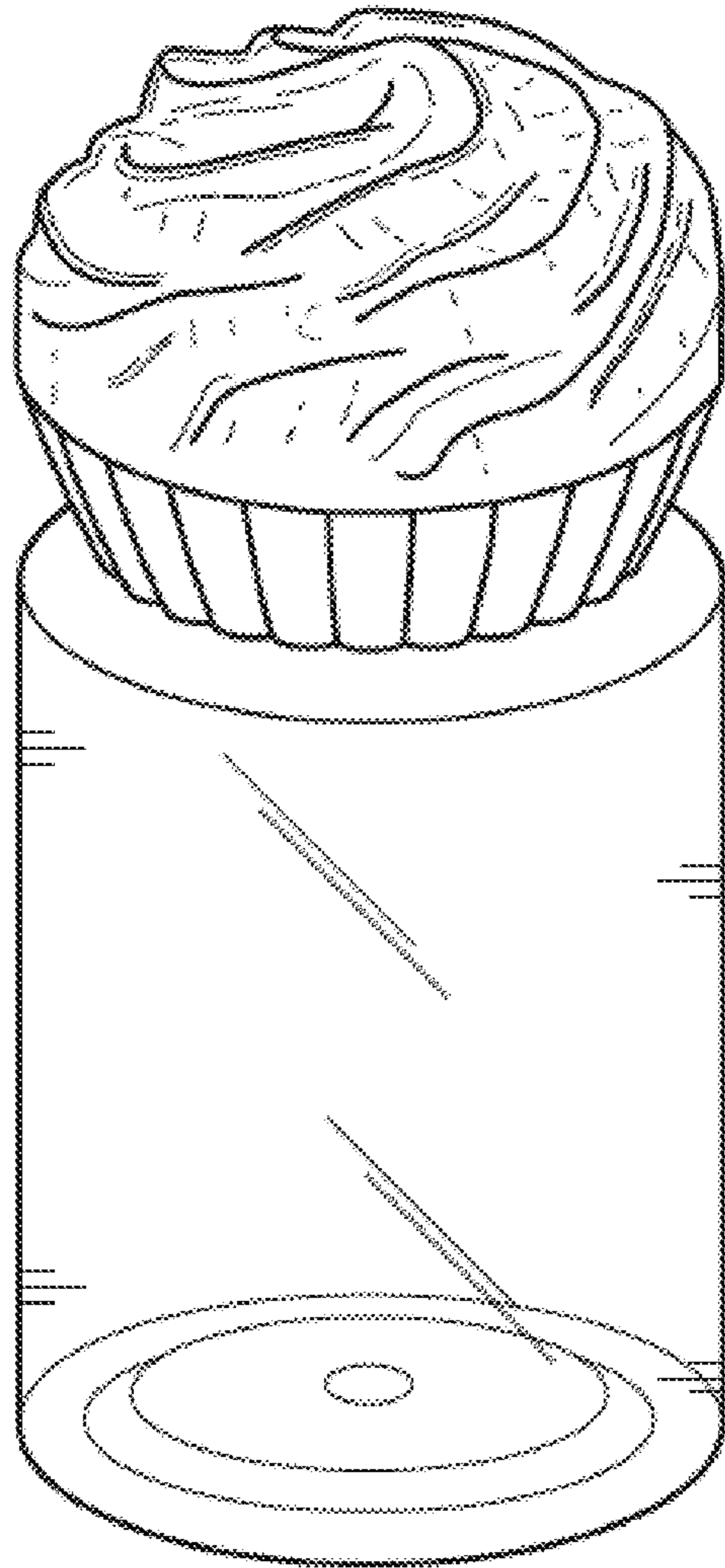


Fig. 7