



US00D897852S

(12) **United States Design Patent** (10) **Patent No.:** **US D897,852 S**
McGreevy (45) **Date of Patent:** **** *Oct. 6, 2020**

- (54) **DISPENSER**
- (71) Applicant: **Method Products, PBC**, San Francisco, CA (US)
- (72) Inventor: **Sean McGreevy**, Oakland, CA (US)
- (73) Assignee: **Method Products, PBC**, San Francisco, CA (US)
- (*) Notice: This patent is subject to a terminal disclaimer.
- (**) Term: **15 Years**
- (21) Appl. No.: **29/679,883**
- (22) Filed: **Feb. 11, 2019**
- (51) **LOC (12) Cl.** **09-01**
- (52) **U.S. Cl.**
USPC **D9/542; D9/560**
- (58) **Field of Classification Search**
USPC D9/529, 535, 537, 542, 558, 552, 574, D9/571, 516, 565, 560, 575, 545, 551, D9/564, 544, 691, 566, 693, 629, 520, D9/538, 522, 500, 504, 682; D7/598, D7/509, 396.2; D28/76, 88
CPC B65D 1/0223; B65D 23/102; B65D 2501/0081; B65D 2501/0036; B65D 79/005; A45D 34/041; A45D 34/045; A61L 9/14; B05B 11/3053; B05B 12/02; B05B 12/12
See application file for complete search history.

D548,098 S *	8/2007	Lauret	D9/544
D561,039 S *	2/2008	Del Bon	D9/544
D649,062 S	11/2011	Handy	
D672,655 S *	12/2012	Huffman	D9/500
D673,452 S	1/2013	Handy	
D691,484 S *	10/2013	Fitzgerald	D9/516
D731,893 S *	6/2015	Chung	D9/529
D763,089 S	8/2016	Handy	

(Continued)

FOREIGN PATENT DOCUMENTS

CN	301858749	*	3/2012
CN	302401214	*	4/2013
EM	000103361-0001	*	5/2004

OTHER PUBLICATIONS

Japanese Patent Office (JPO) Document HA18008624, dated by JPO Jul. 10, 2006.

Primary Examiner — W. A. Teddy Falloway
Assistant Examiner — Rani J Abdallah

(74) *Attorney, Agent, or Firm* — Sterne, Kessler, Goldstein & Fox P.L.L.C.

(57) **CLAIM**

The ornamental design for a dispenser, as shown and described.

DESCRIPTION

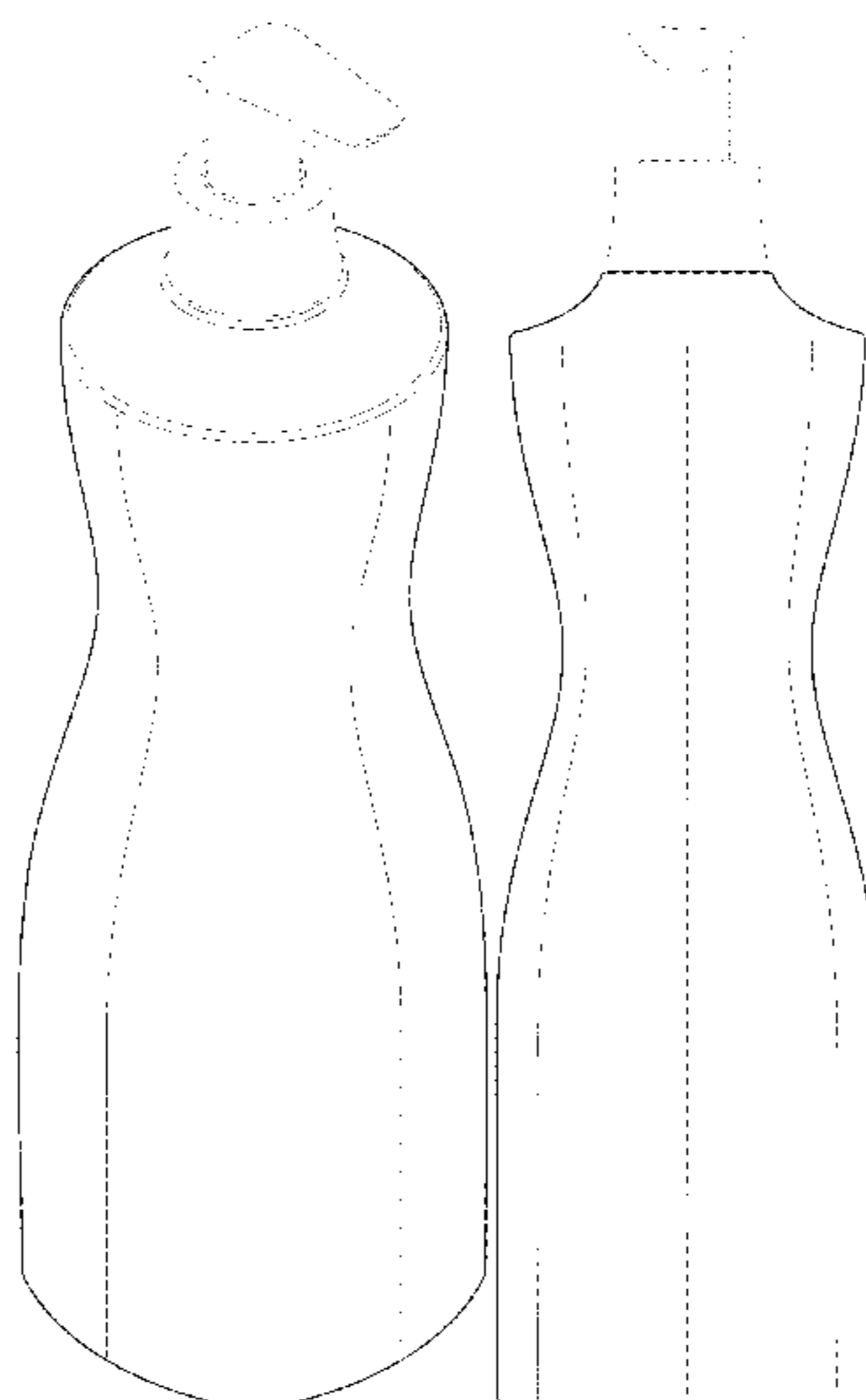
FIG. 1 is a top front perspective view of a dispenser showing the claimed design;
FIG. 2 is a bottom rear perspective view thereof;
FIG. 3 is a front view thereof;
FIG. 4 is a rear view thereof;
FIG. 5 is a right side view thereof;
FIG. 6 is a left side view thereof;
FIG. 7 is a top view thereof; and,
FIG. 8 is a bottom view thereof.

The broken lines in the figures show portions of the dispenser that form no part of the claimed design.

1 Claim, 5 Drawing Sheets

(56) **References Cited**
U.S. PATENT DOCUMENTS

D407,980 S *	4/1999	Dinand	D9/500
D422,902 S *	4/2000	Kikuchi	D9/504
D448,306 S *	9/2001	de Giovellina	D9/560
D475,929 S *	6/2003	Bakic	D9/560
D517,424 S *	3/2006	Martos Sanchez	D9/682
D522,372 S	6/2006	Wang et al.	
D542,658 S *	5/2007	Larson	D9/500



(56)

References Cited

U.S. PATENT DOCUMENTS

D792,769 S	*	7/2017	Bischoff	D9/500
D822,489 S	*	7/2018	Bischoff	D9/500
D828,175 S	*	9/2018	Furneaux	D9/544

* cited by examiner

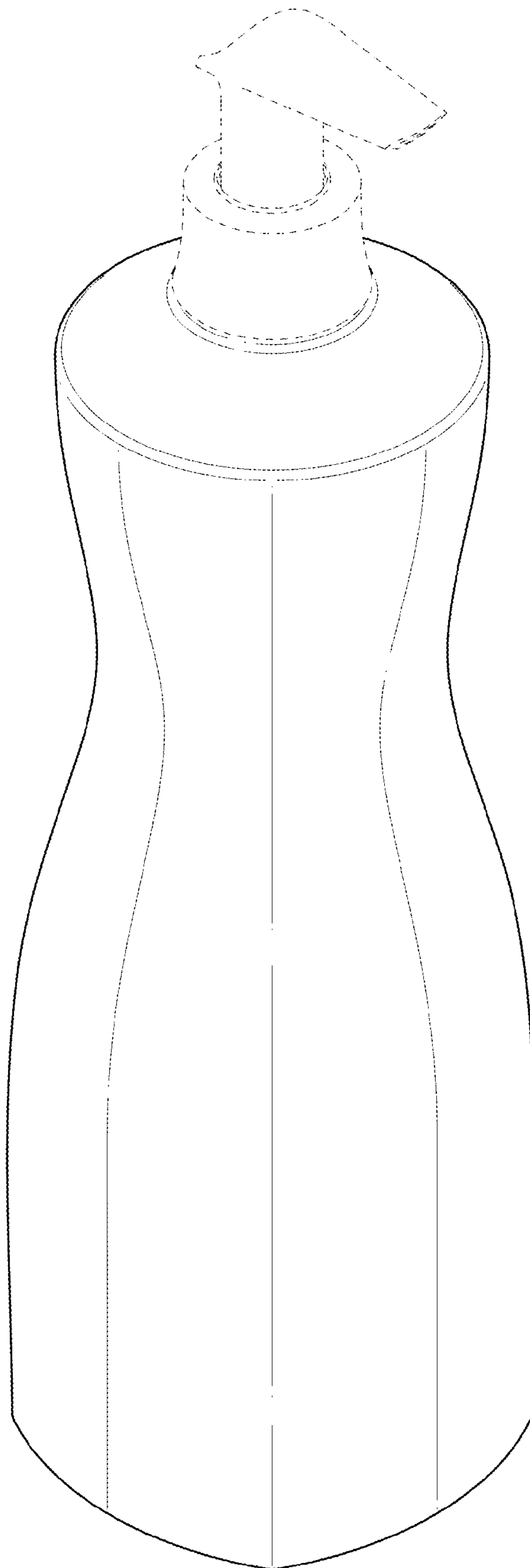


FIG. 1

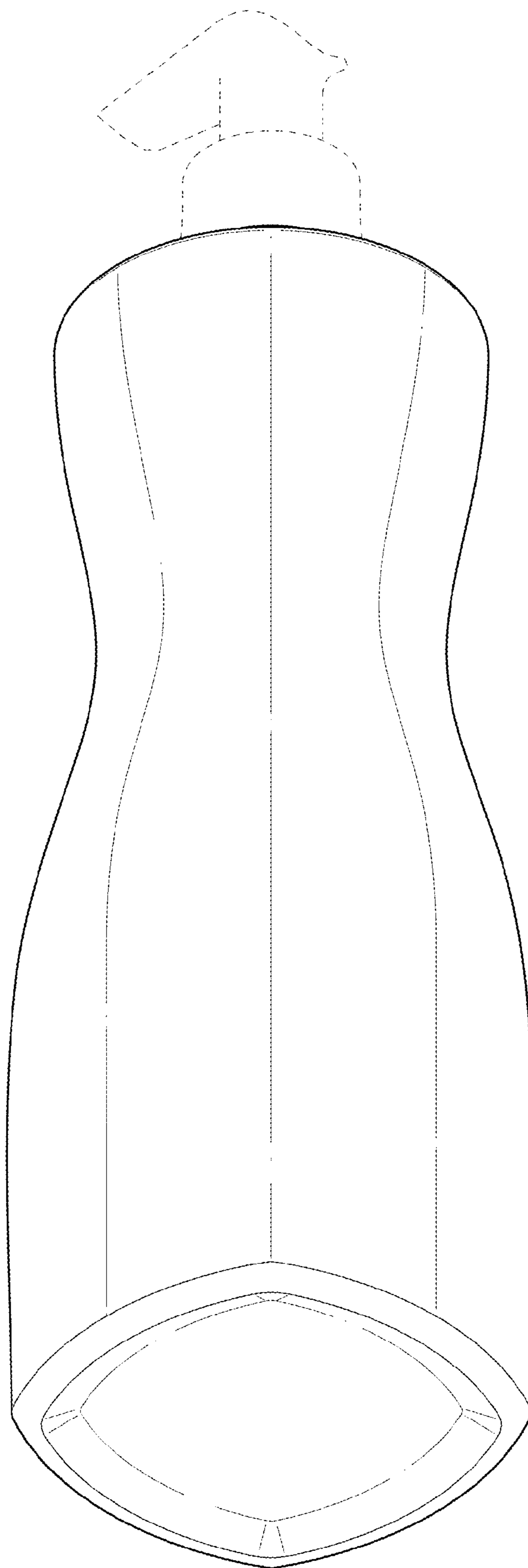


FIG. 2

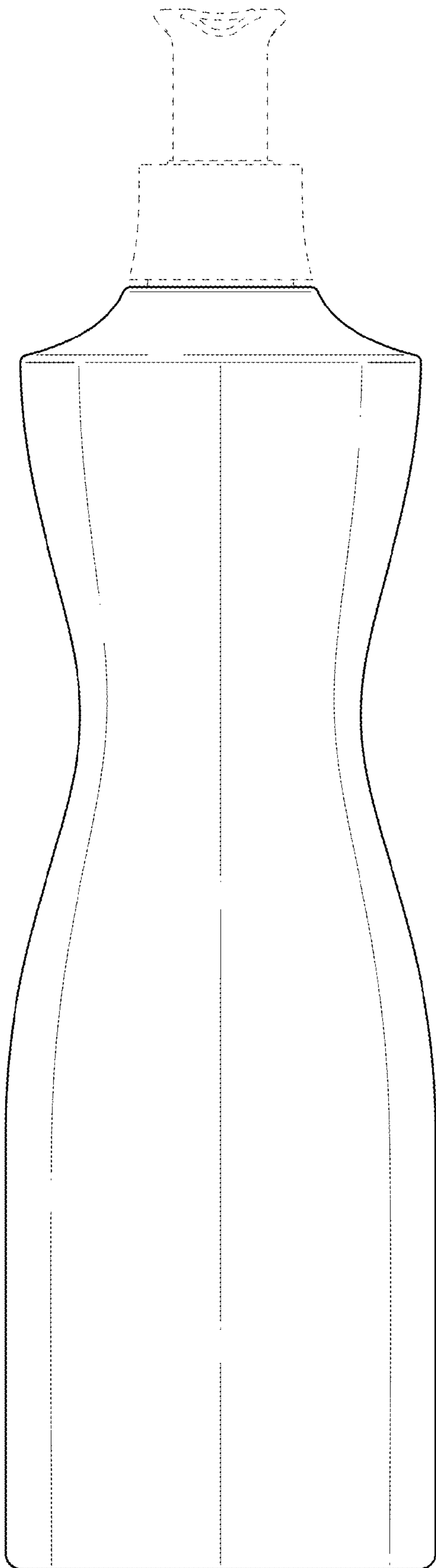


FIG. 3

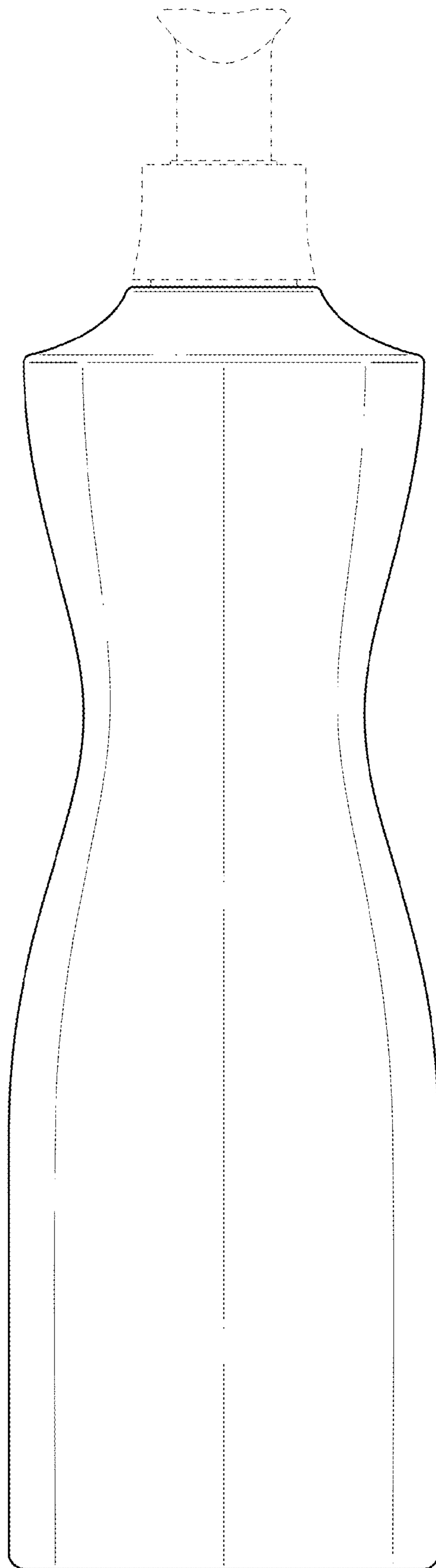


FIG. 4

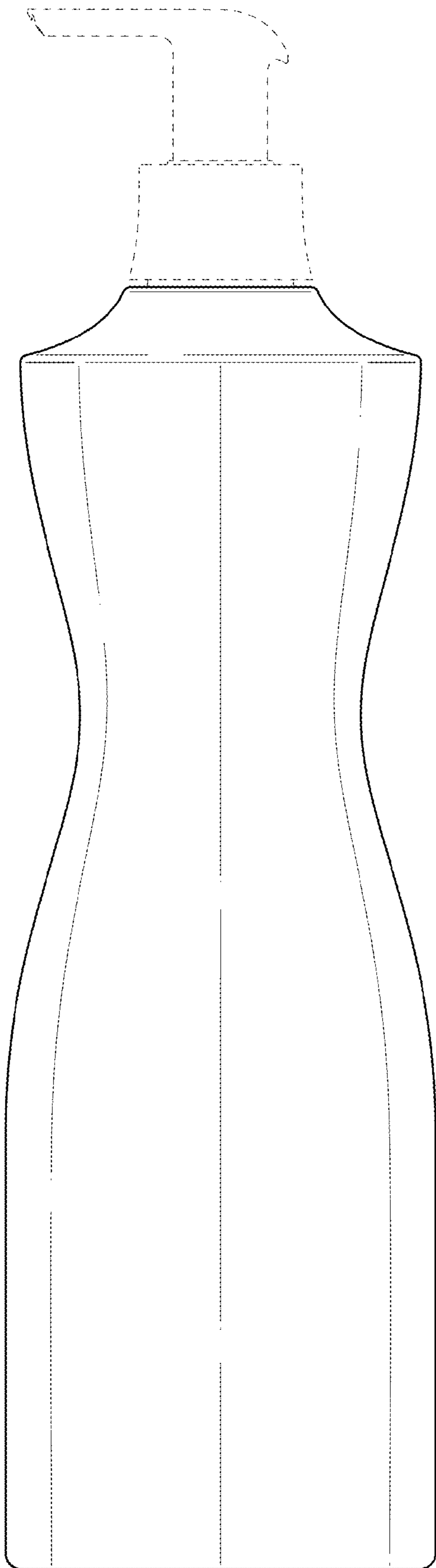


FIG. 5

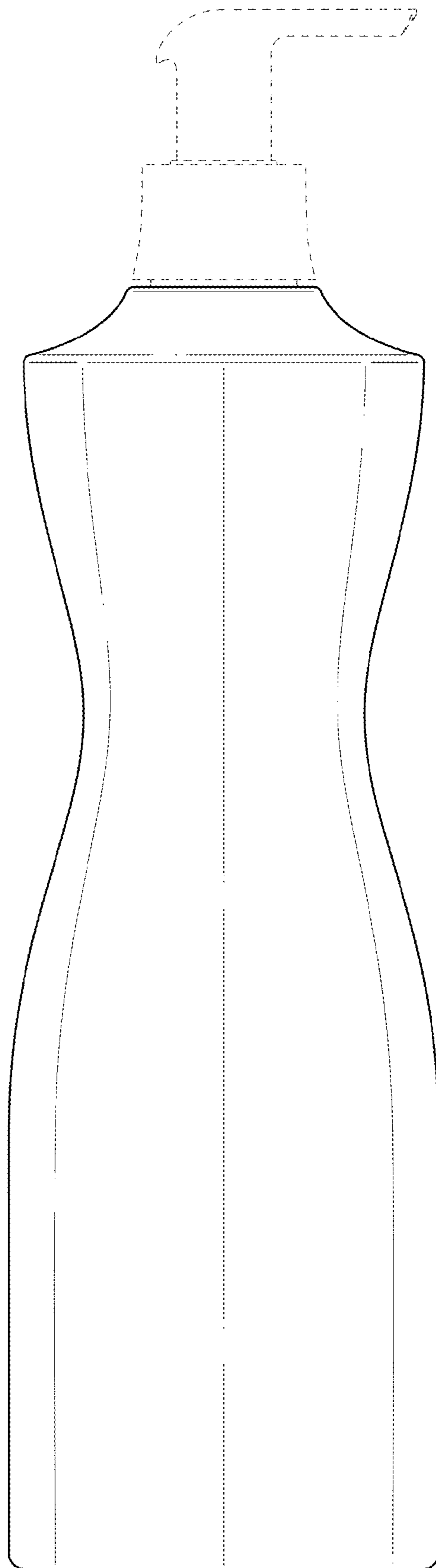


FIG. 6

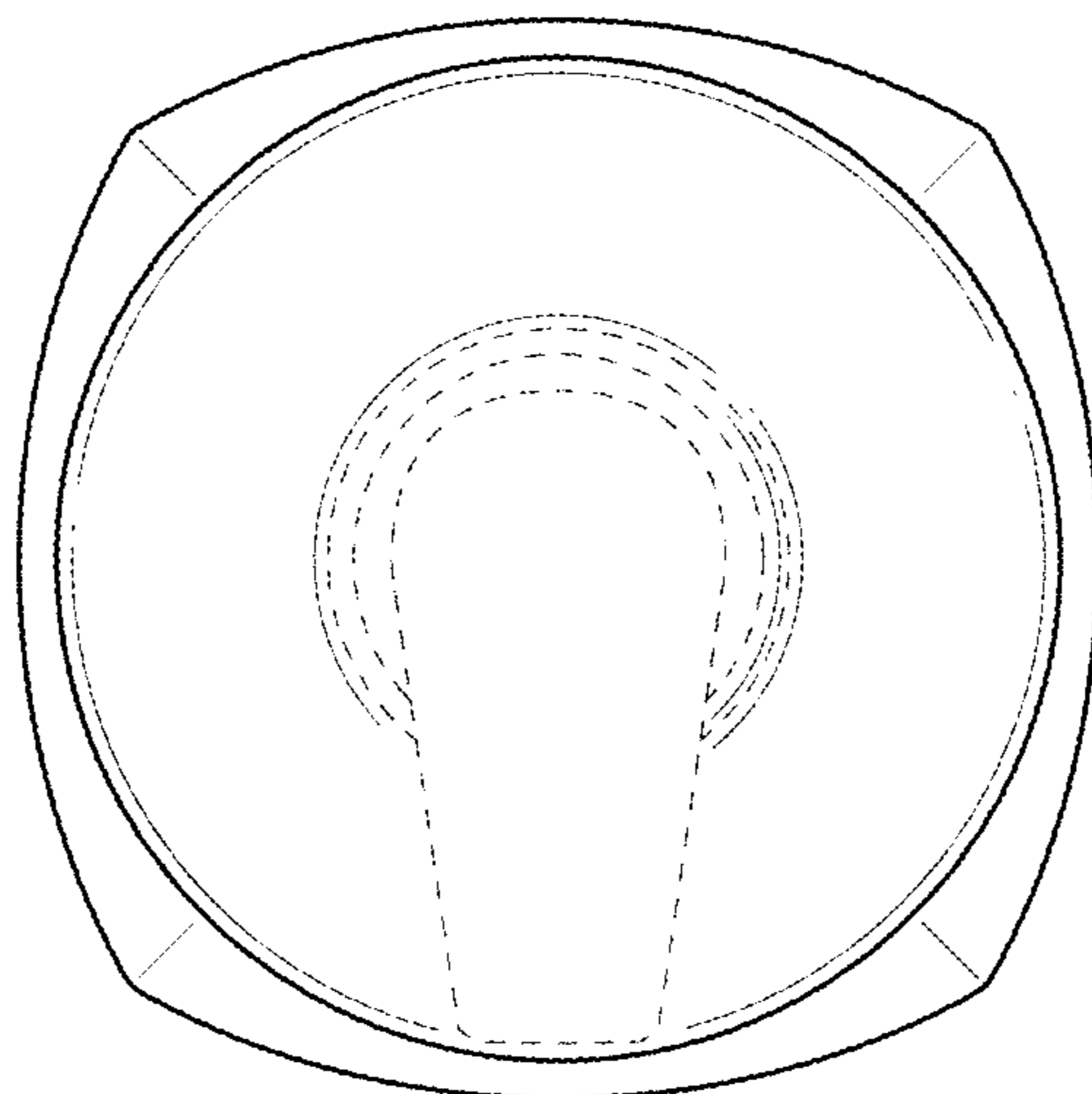


FIG. 7

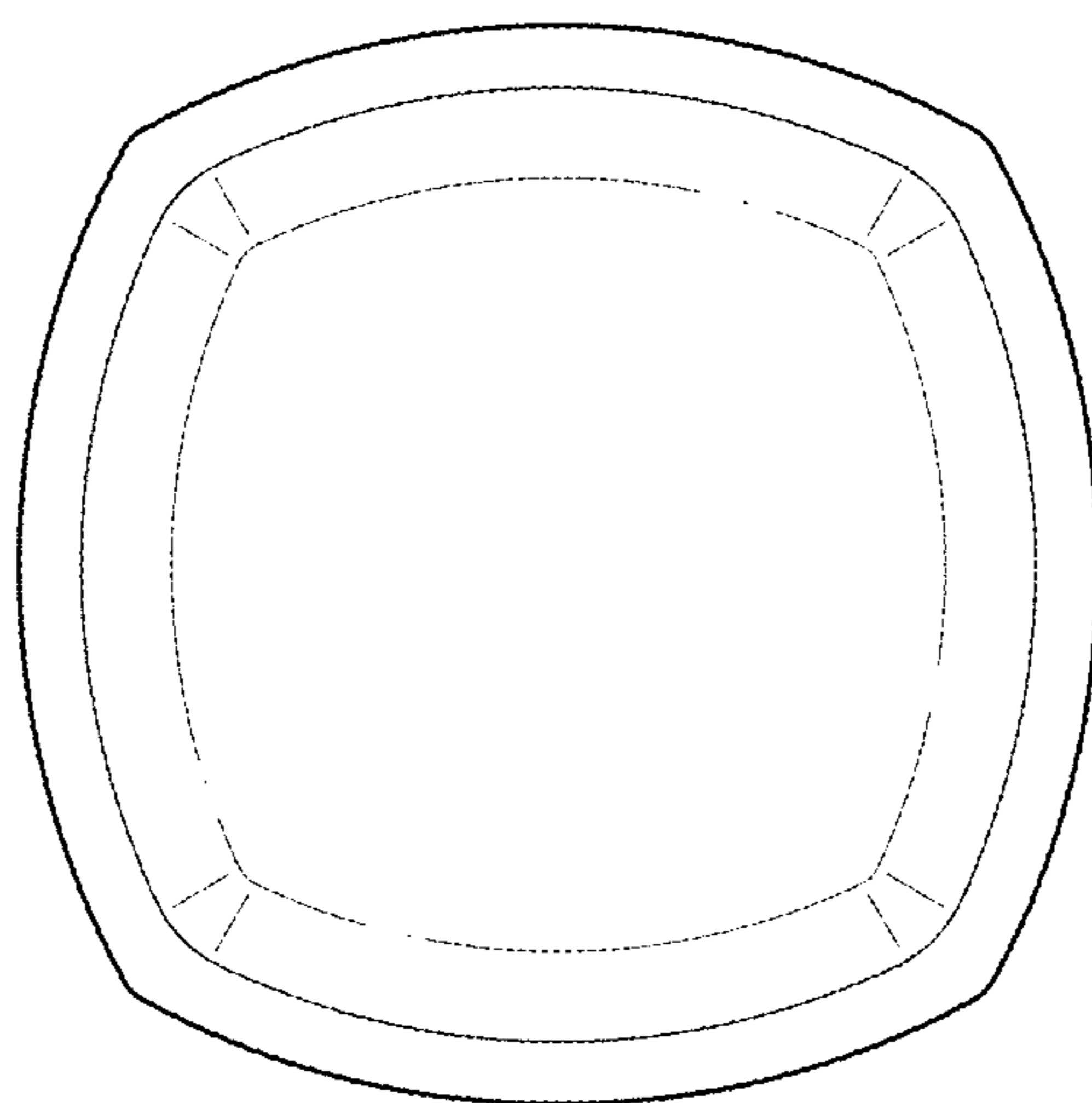


FIG. 8