



US00D897851S

(12) **United States Design Patent** (10) **Patent No.:** **US D897,851 S**
McGreevy (45) **Date of Patent:** **** *Oct. 6, 2020**

- (54) **DISPENSER**
- (71) Applicant: **Method Products, PBC**, San Francisco, CA (US)
- (72) Inventor: **Sean McGreevy**, Oakland, CA (US)
- (73) Assignee: **Method Products, PBC**, San Francisco, CA (US)
- (*) Notice: This patent is subject to a terminal disclaimer.
- (**) Term: **15 Years**
- (21) Appl. No.: **29/679,881**
- (22) Filed: **Feb. 11, 2019**
- (51) **LOC (12) Cl.** **09-01**
- (52) **U.S. Cl.**
USPC **D9/542; D9/560**
- (58) **Field of Classification Search**
USPC D9/529, 535, 537, 542, 558, 552, 574, D9/571, 516, 565, 560, 575, 545, 551, D9/564, 544, 691, 566, 693, 629, 520, D9/538, 522, 500, 504, 682; D7/598, D7/509, 396.2; D28/76, 88
CPC B65D 1/0223; B65D 23/102; B65D 2501/0081; B65D 2501/0036; B65D 79/005; A45D 34/041; A45D 34/045; A61L 9/14; B05B 11/3053; B05B 12/02; B05B 12/12
See application file for complete search history.

- D548,098 S * 8/2007 Lauret D9/544
 - D561,039 S * 2/2008 Del Bon D9/544
 - D649,062 S 11/2011 Handy
 - D672,655 S * 12/2012 Huffman D9/500
 - D673,452 S 1/2013 Handy
 - D691,484 S * 10/2013 Fitzgerald D9/516
 - D731,893 S * 6/2015 Chung D9/529
 - D763,089 S 8/2016 Handy
- (Continued)

FOREIGN PATENT DOCUMENTS

- CN 301858749 * 3/2012
- CN 302401214 * 4/2013
- EM 000103361-0001 * 5/2004

OTHER PUBLICATIONS

Japanese Patent Office (JPO) Document HA18008624, dated by JPO Jul. 10, 2006.

Primary Examiner — W. A. Teddy Falloway
Assistant Examiner — Rani J Abdallah
(74) *Attorney, Agent, or Firm* — Sterne, Kessler, Goldstein & Fox P.L.L.C.

(57) **CLAIM**

The ornamental design for a dispenser, as shown and described.

DESCRIPTION

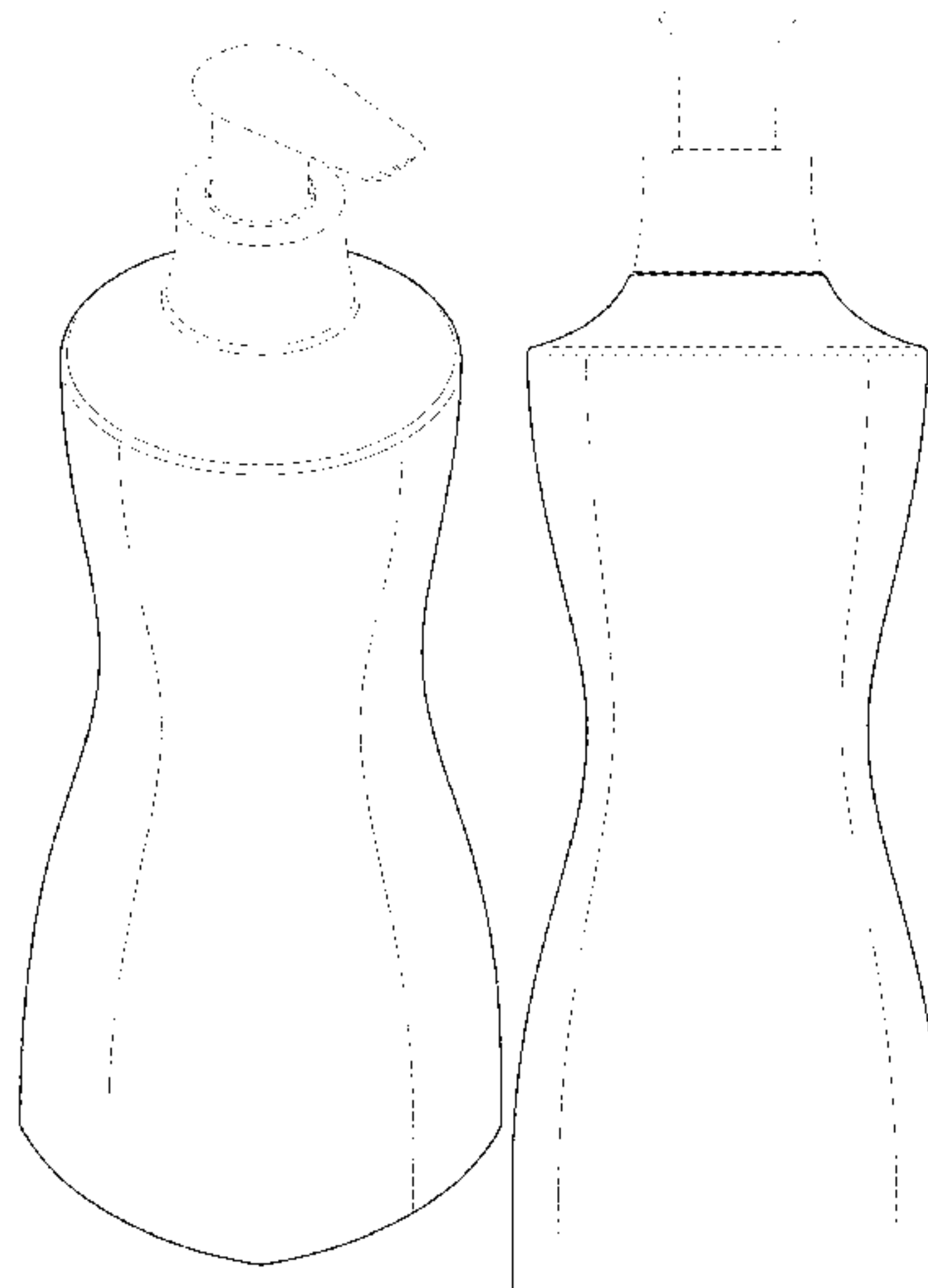
FIG. 1 is a top front perspective view of a dispenser showing the claimed design;
FIG. 2 is a bottom rear perspective view thereof;
FIG. 3 is a front view thereof;
FIG. 4 is a rear view thereof;
FIG. 5 is a right side view thereof;
FIG. 6 is a left side view thereof;
FIG. 7 is a top view thereof; and,
FIG. 8 is a bottom view thereof.

The broken lines in the figures show portions of the dispenser that form no part of the claimed design.

1 Claim, 5 Drawing Sheets

(56) **References Cited**
U.S. PATENT DOCUMENTS

- D407,980 S * 4/1999 Dinand D9/500
- D422,902 S * 4/2000 Kikuchi D9/504
- D448,306 S * 9/2001 de Giovellina D9/560
- D475,929 S * 6/2003 Bakic D9/560
- D517,424 S * 3/2006 Martos Sanchez D9/682
- D522,372 S 6/2006 Wang et al.
- D542,658 S * 5/2007 Larson D9/500



(56)

References Cited

U.S. PATENT DOCUMENTS

D792,769 S	*	7/2017	Bischoff	D9/500
D822,489 S	*	7/2018	Bischoff	D9/500
D828,175 S	*	9/2018	Furneaux	D9/544

* cited by examiner

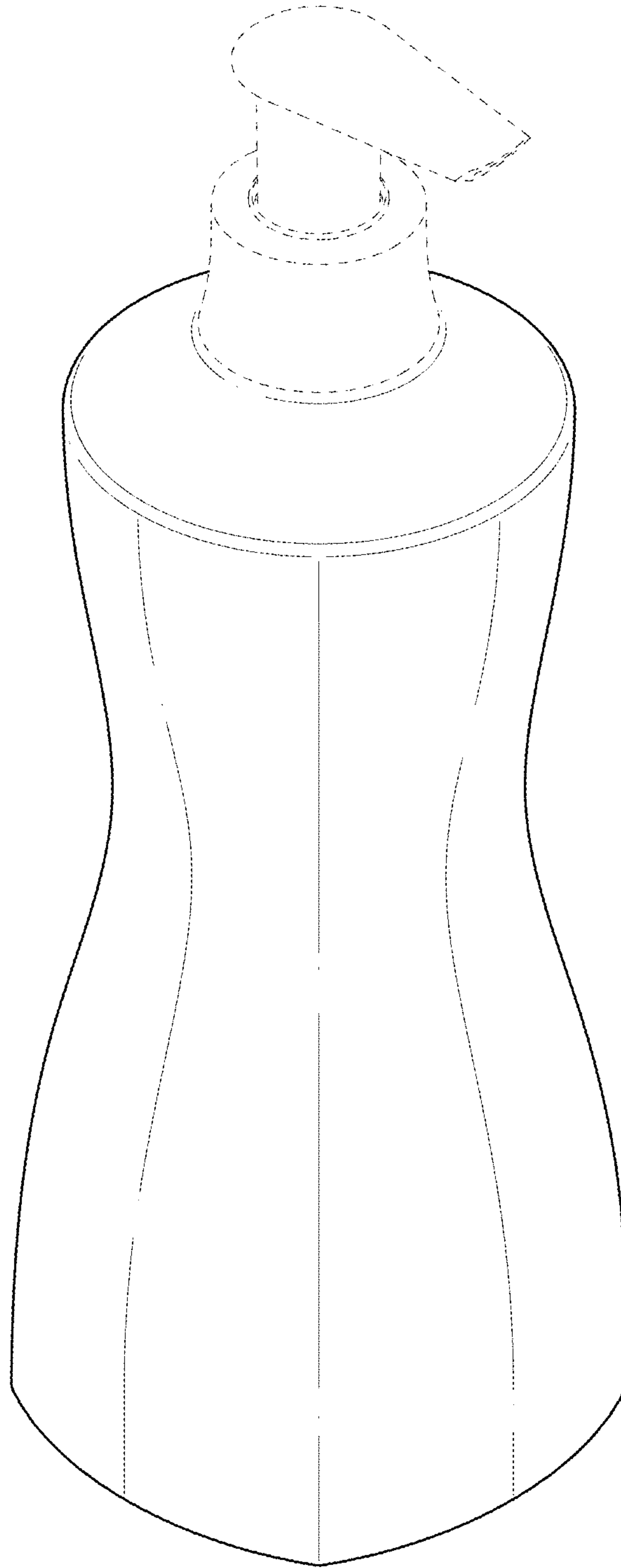


FIG. 1

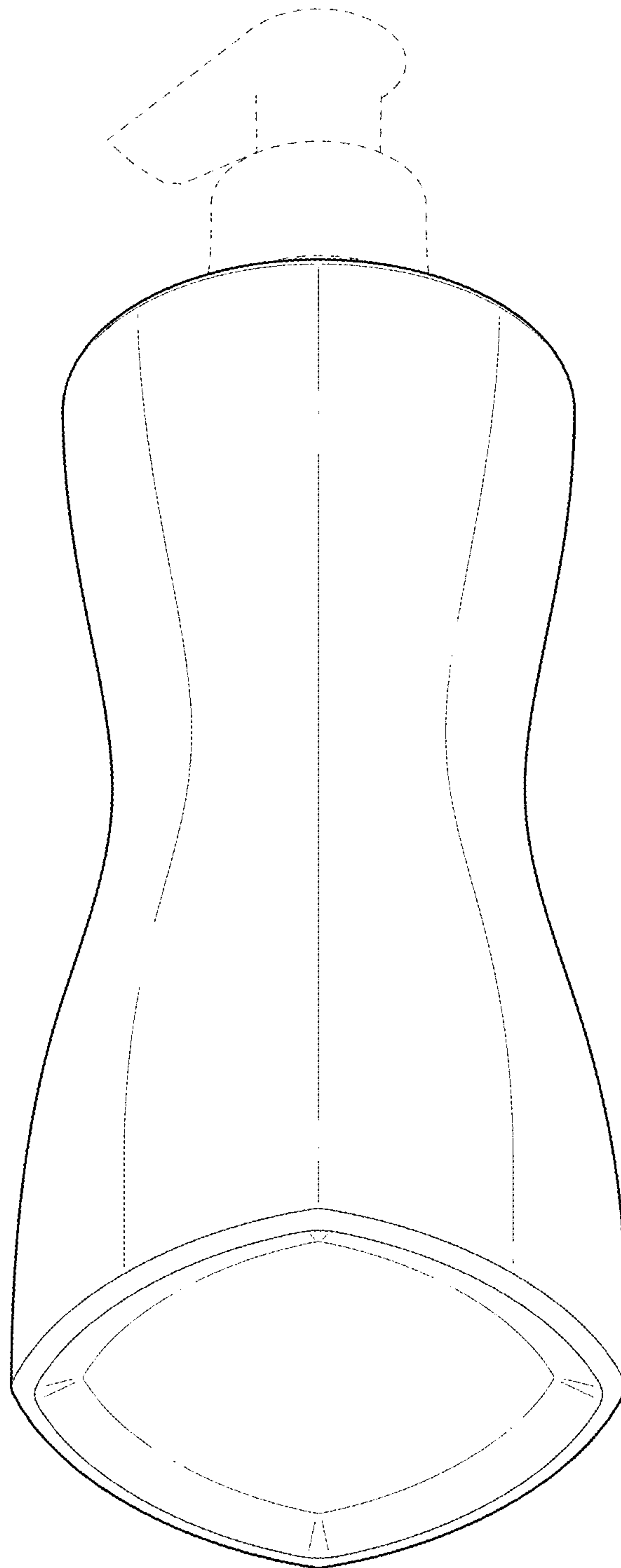


FIG. 2

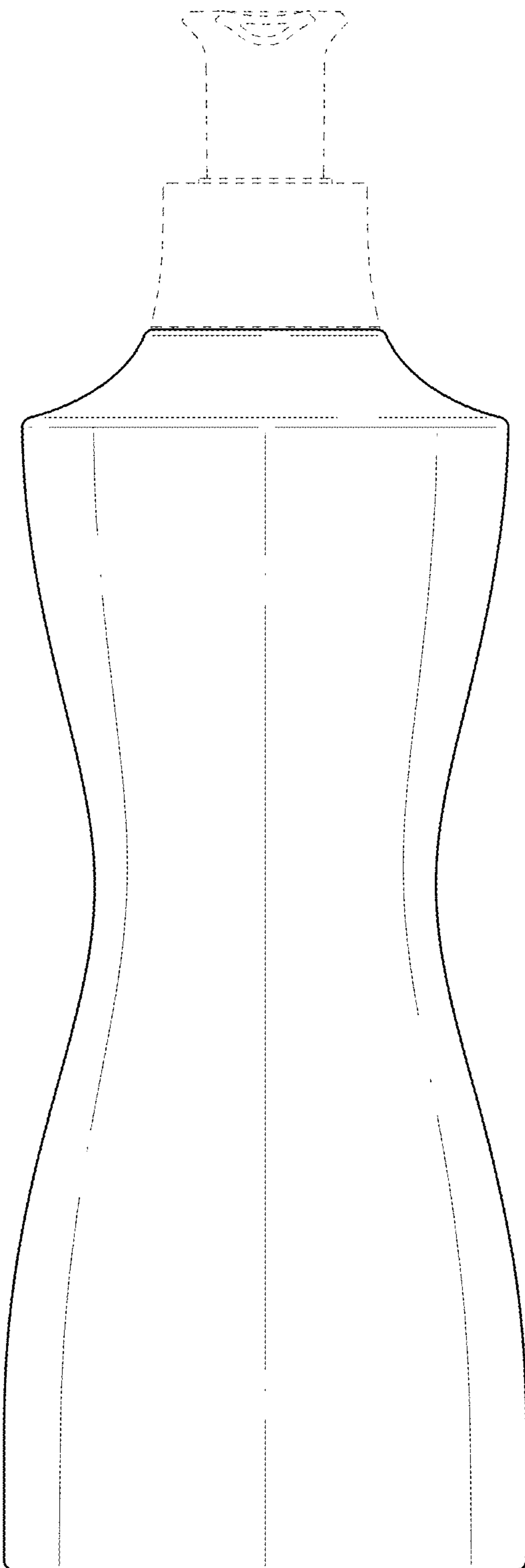


FIG. 3

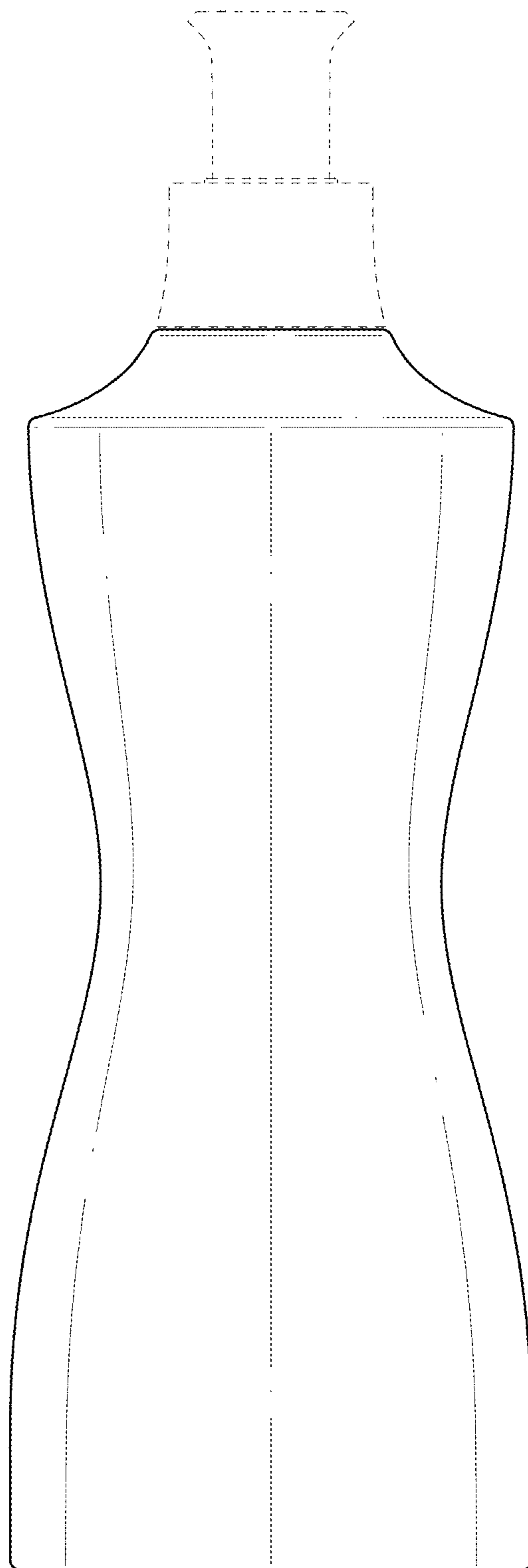


FIG. 4

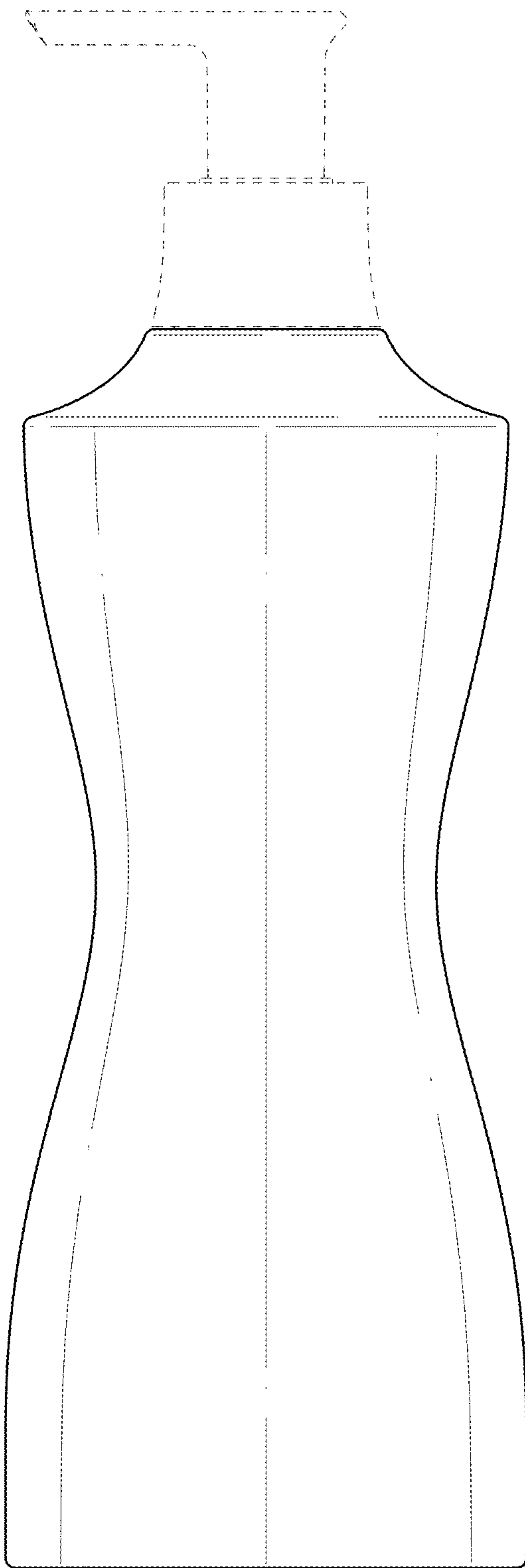


FIG. 5

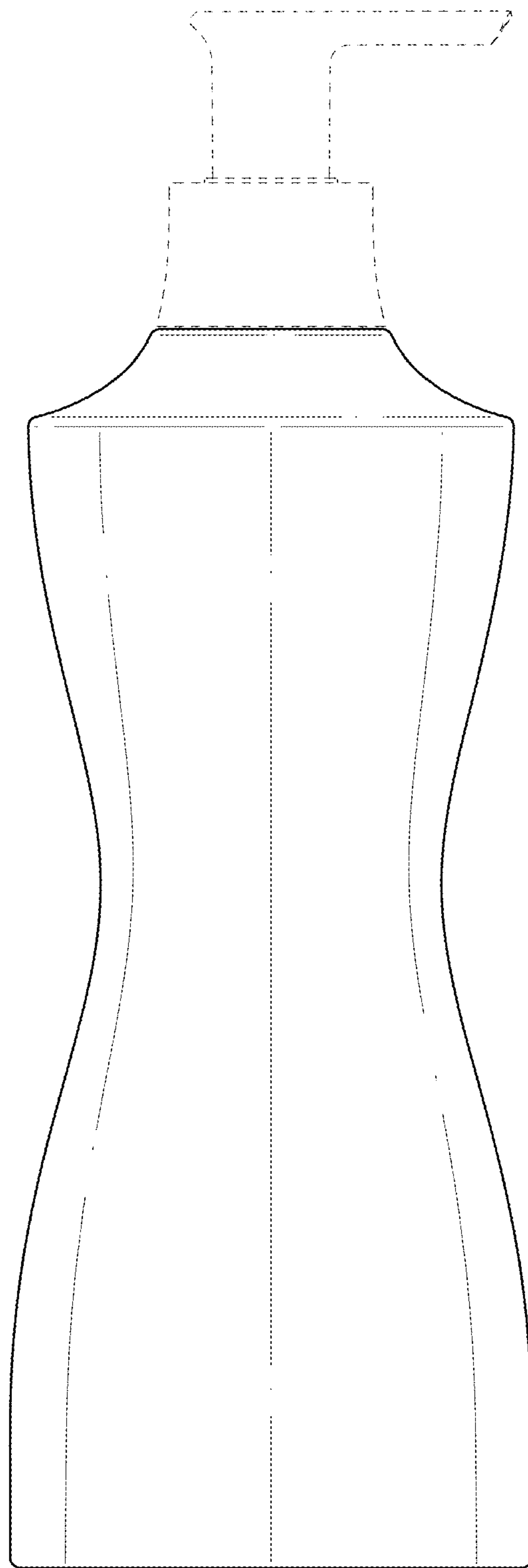


FIG. 6

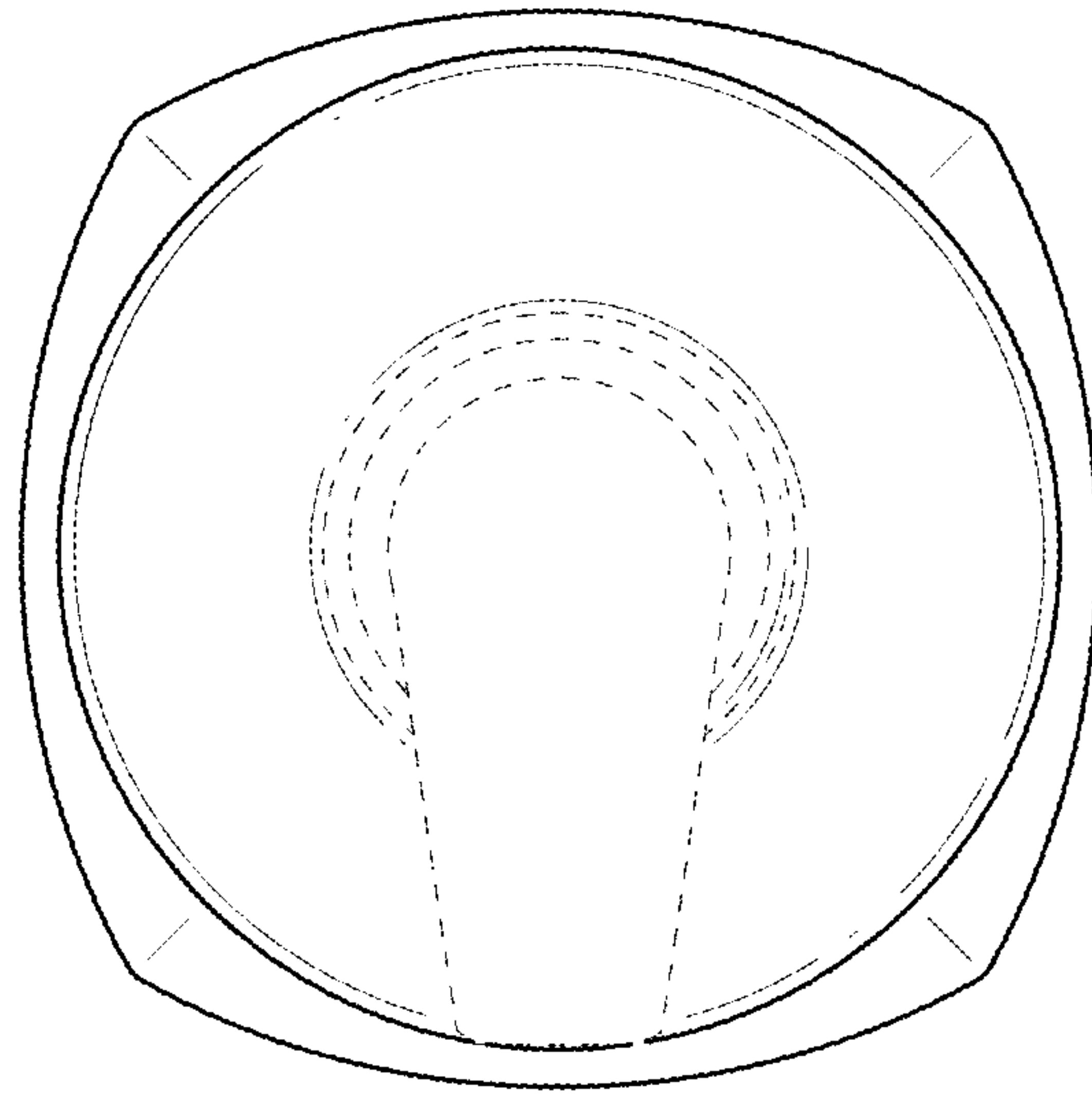


FIG. 7

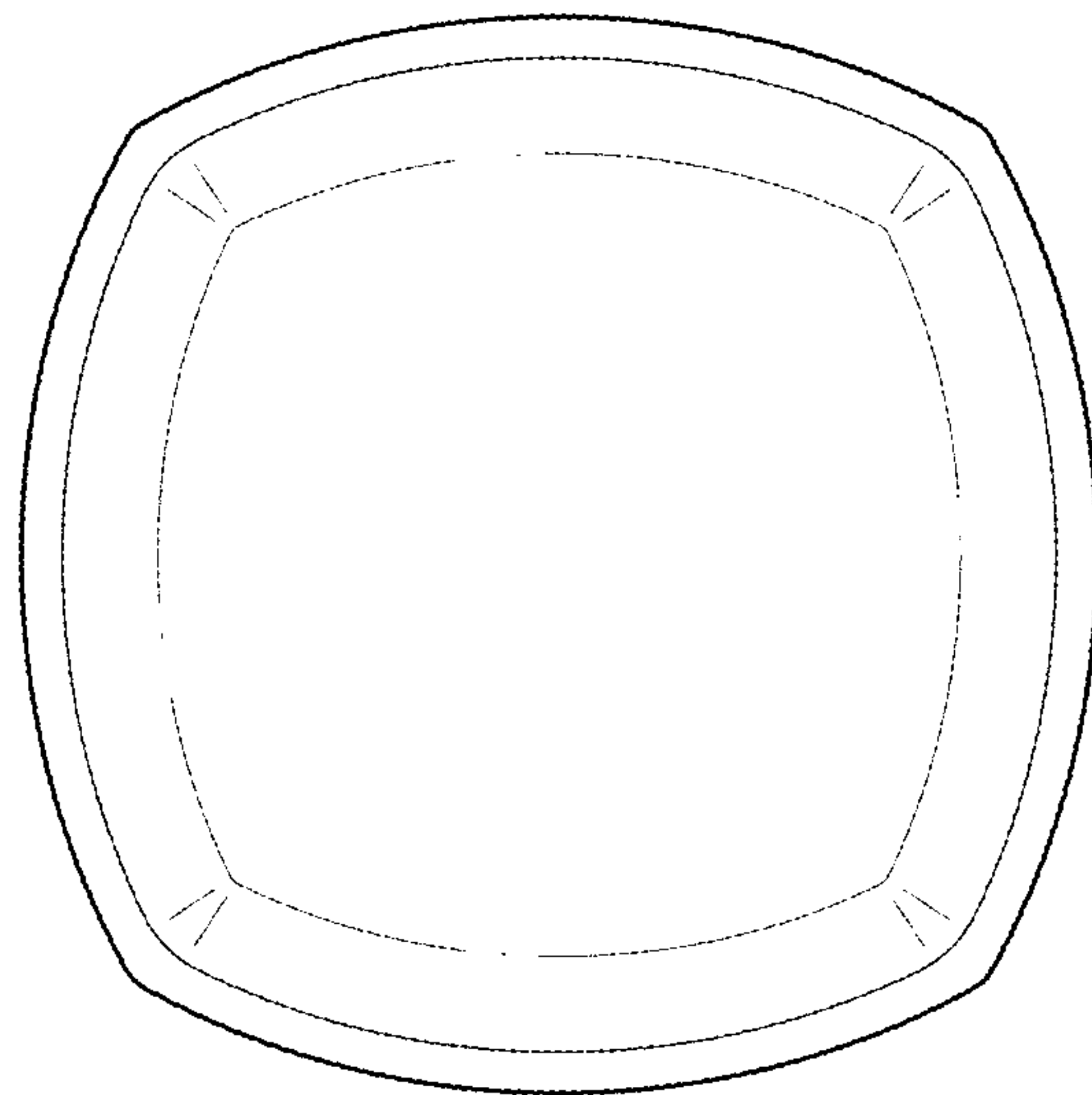


FIG. 8