



US00D897849S

(12) **United States Design Patent**
Hawry

(10) **Patent No.:** **US D897,849 S**

(45) **Date of Patent:** **** Oct. 6, 2020**

(54) **CONTAINER WITH CHILD RESISTANT CLOSURE**

D845,768 S * 4/2019 Mateus D9/500
10,526,115 B1 * 1/2020 Hawry B65D 50/04
D879,564 S * 3/2020 Adams, Jr. D7/612

(71) Applicant: **Berlin Packaging, LLC**, Chicago, IL (US)

* cited by examiner

(72) Inventor: **Liam Hawry**, Chicago, IL (US)

Primary Examiner — Dana Meyrow

(73) Assignee: **Berlin Packaging, LLC**, Chicago, IL (US)

(74) *Attorney, Agent, or Firm* — Adam K. Sacharoff; Much Shelist, P.C.

(**) Term: **15 Years**

(57) **CLAIM**

The ornamental design for a container with child resistant closure, as shown and described.

(21) Appl. No.: **29/664,878**

DESCRIPTION

(22) Filed: **Sep. 28, 2018**

(51) **LOC (12) Cl.** **09-01**

(52) **U.S. Cl.**

USPC **D9/503**; D9/434; D9/454

(58) **Field of Classification Search**

USPC D9/414, 434–435, 444, 454, 500, D9/503–505, 516, 549, 558, 715; D3/202, 203.2; D27/190; D28/76–77, D28/91; D24/224

CPC ... B65D 1/00; B65D 1/02; B65D 1/10; B65D 1/0223; B65D 23/00; B65D 50/00; B65D 50/043; B65D 51/32; B65D 2215/00; B65D 2215/02; B65D 2501/00; B65D 2501/0009

See application file for complete search history.

FIG. 1 is a top perspective view of a container with child resistant closure showing my new design;
FIG. 2 is a bottom perspective view thereof;
FIG. 3 is a front elevation view thereof, the rear elevation view being identical;
FIG. 4 is a top plan view thereof;
FIG. 5 is a bottom plan view thereof;
FIG. 6 is an exploded top perspective view thereof, shown in the open position;
FIG. 7 is a bottom perspective view thereof;
FIG. 8 is a front elevation view thereof, the rear elevation view being identical;
FIG. 9 is a top plan view thereof;
FIG. 10 is a bottom plan view thereof;
FIG. 11 is a further exploded top perspective view thereof shown in the open position and the outer collar removed;
FIG. 12 is a bottom perspective view thereof;
FIG. 13 is a front elevation view thereof, the rear elevation view being identical excluding the unclaimed thread portion;
FIG. 14 is a top plan view thereof; and,
FIG. 15 is a bottom plan view thereof.

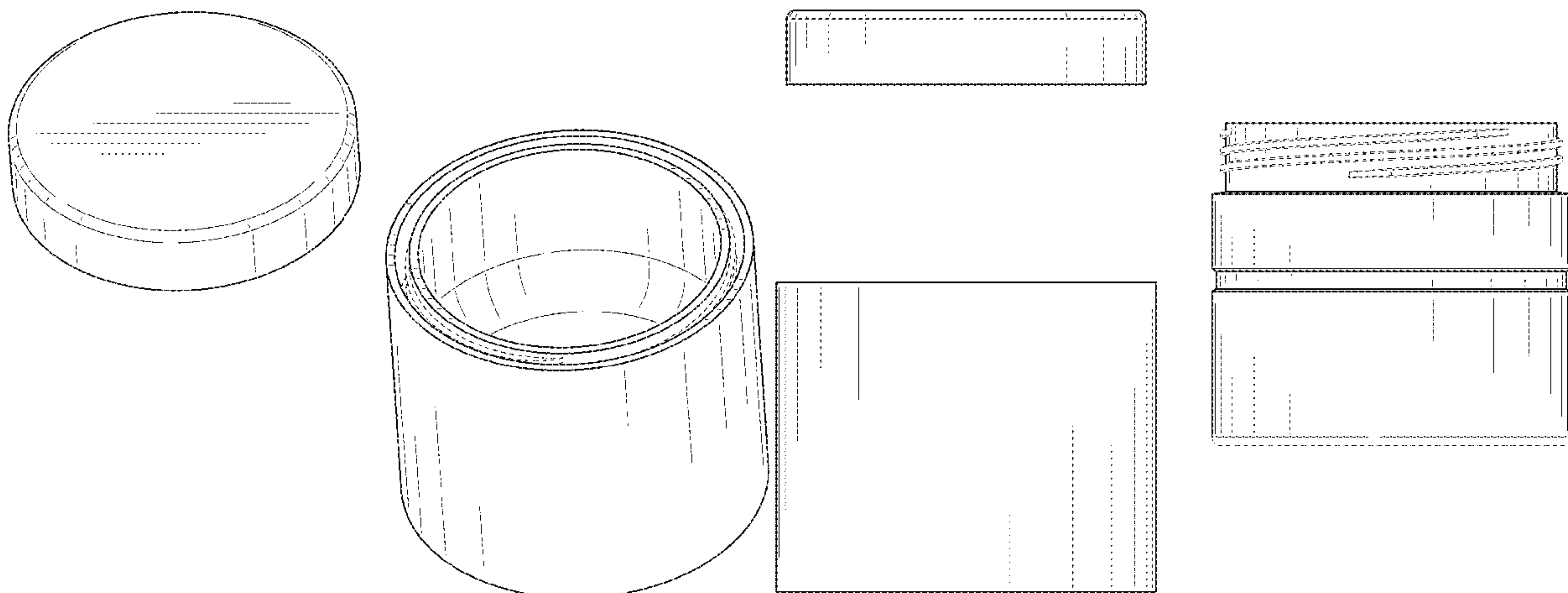
The broken lines in the FIGS. form no part of the claimed design.

(56) **References Cited**

U.S. PATENT DOCUMENTS

D265,176 S * 6/1982 Bock D34/39
D273,180 S * 3/1984 Carluccio D9/503
D302,943 S * 8/1989 Cuzenza D9/697
D746,627 S * 1/2016 Puigbo D9/503

1 Claim, 13 Drawing Sheets



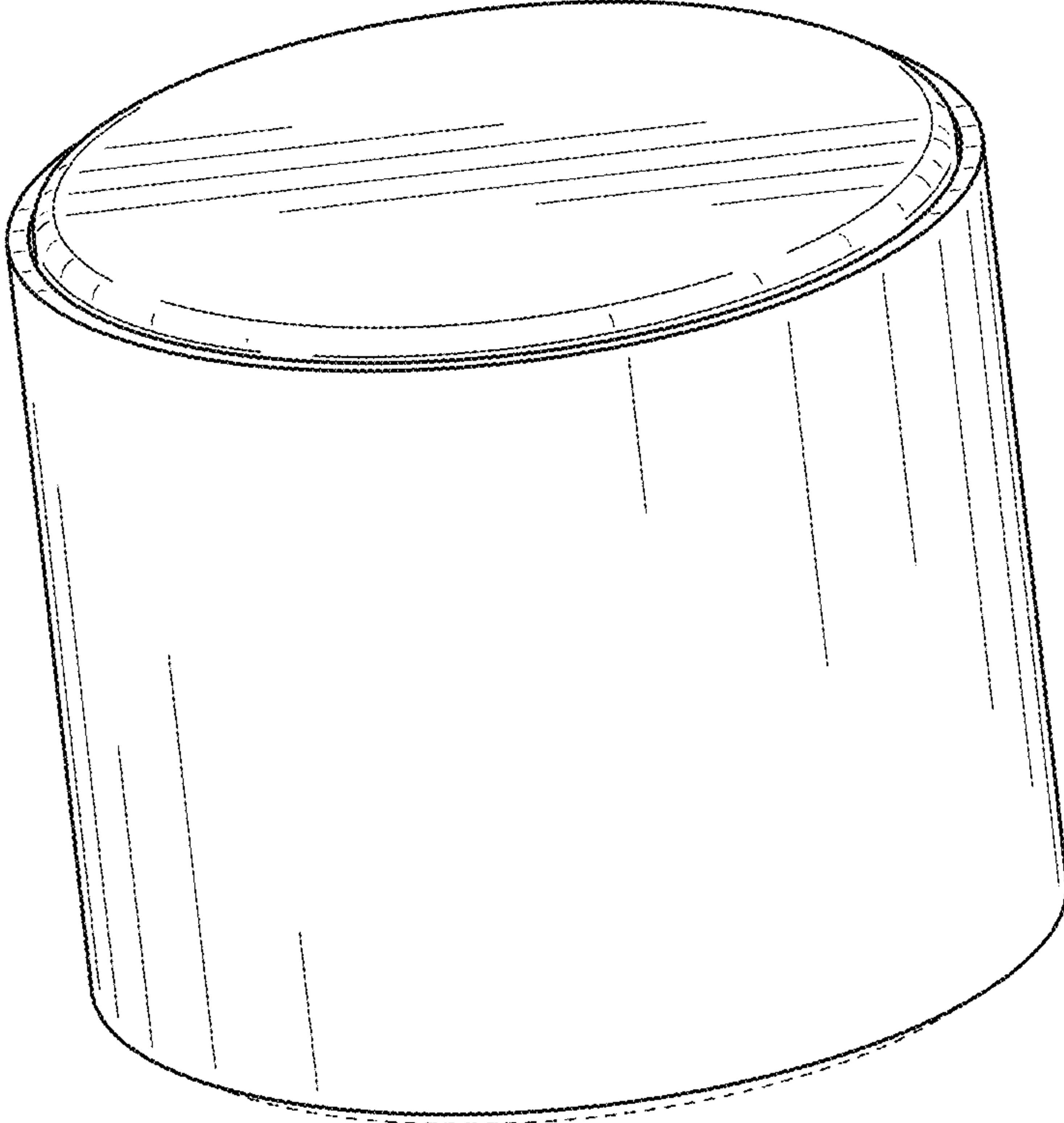


FIG. 1

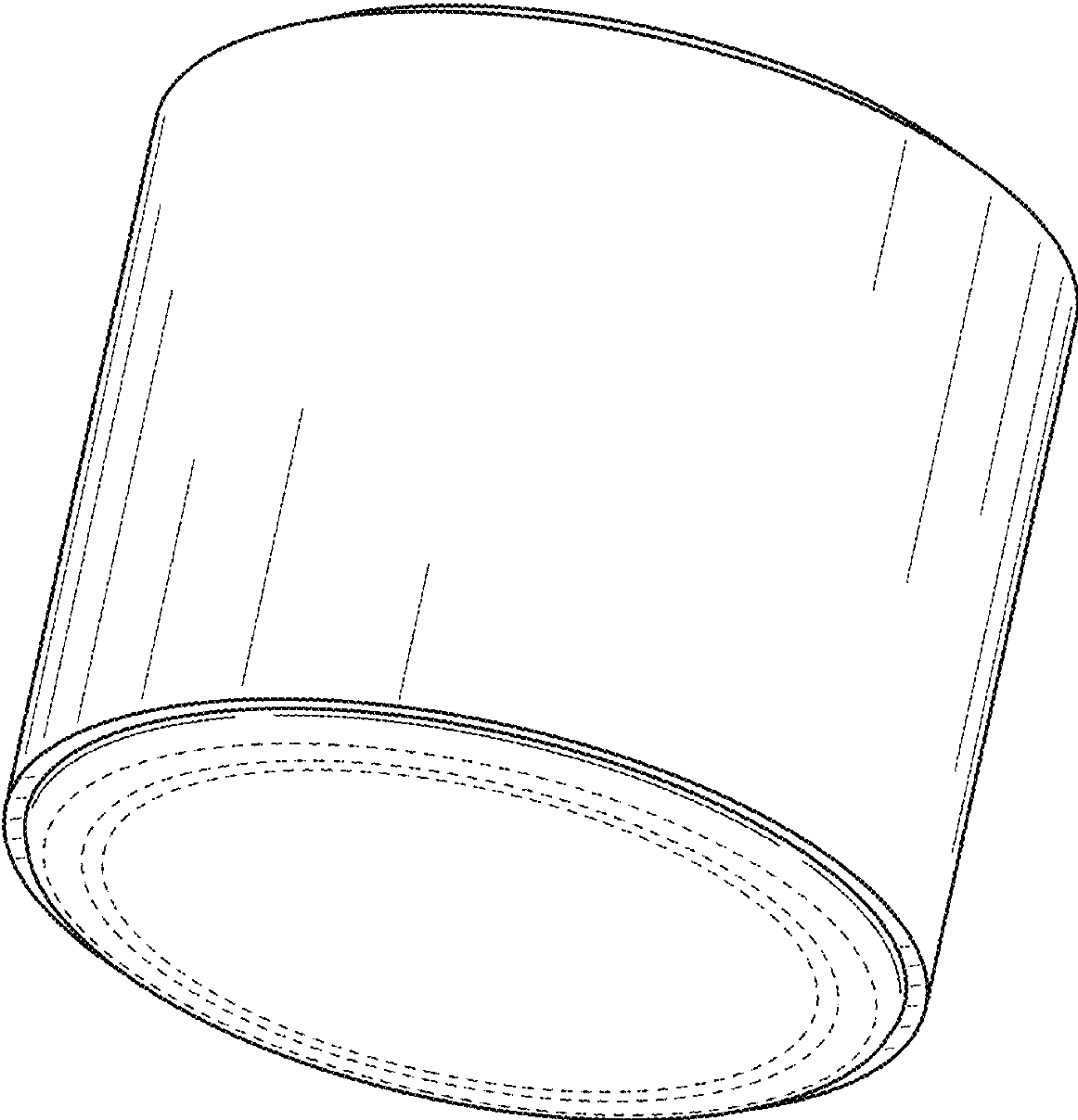


FIG. 2

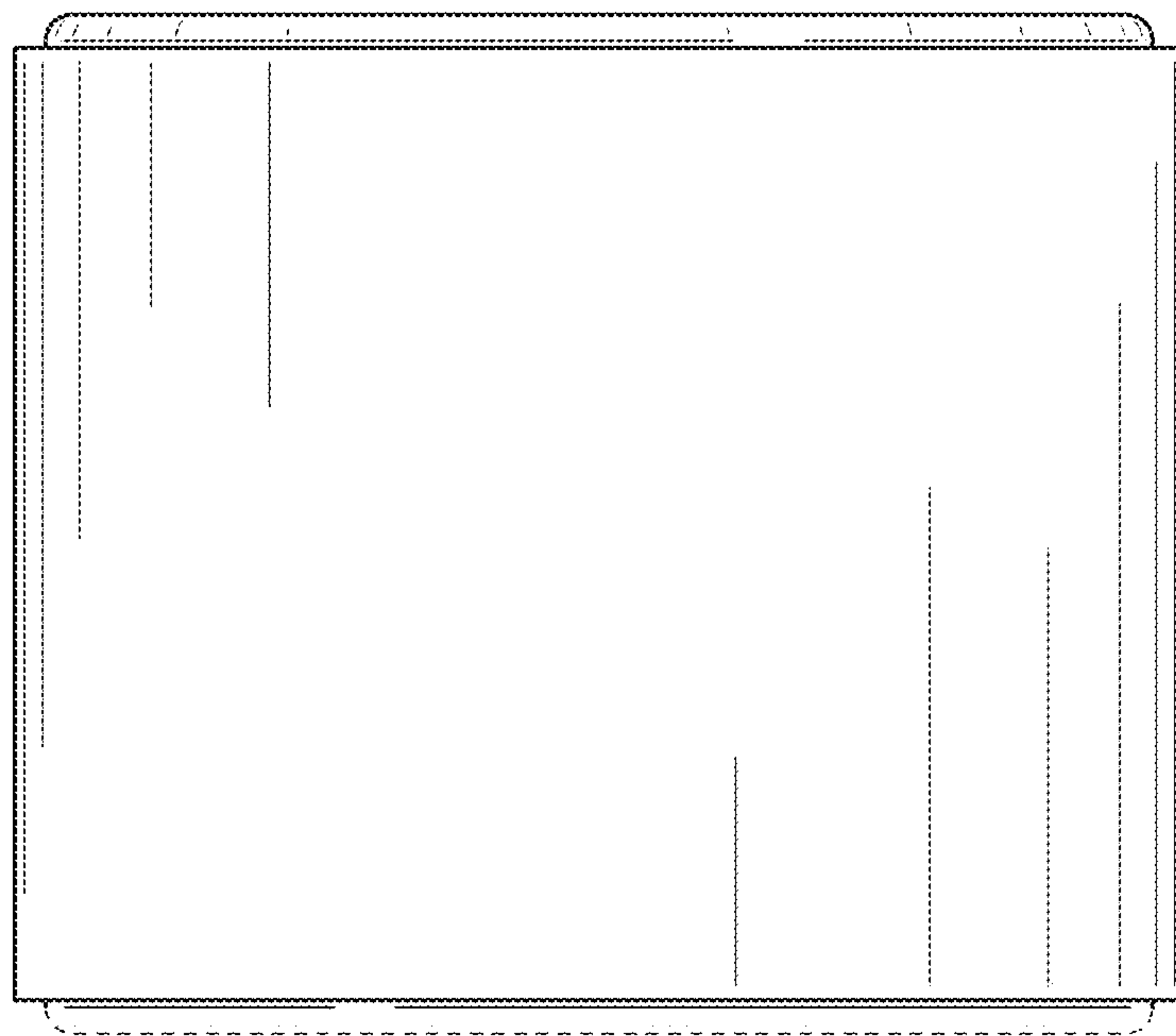


FIG. 3

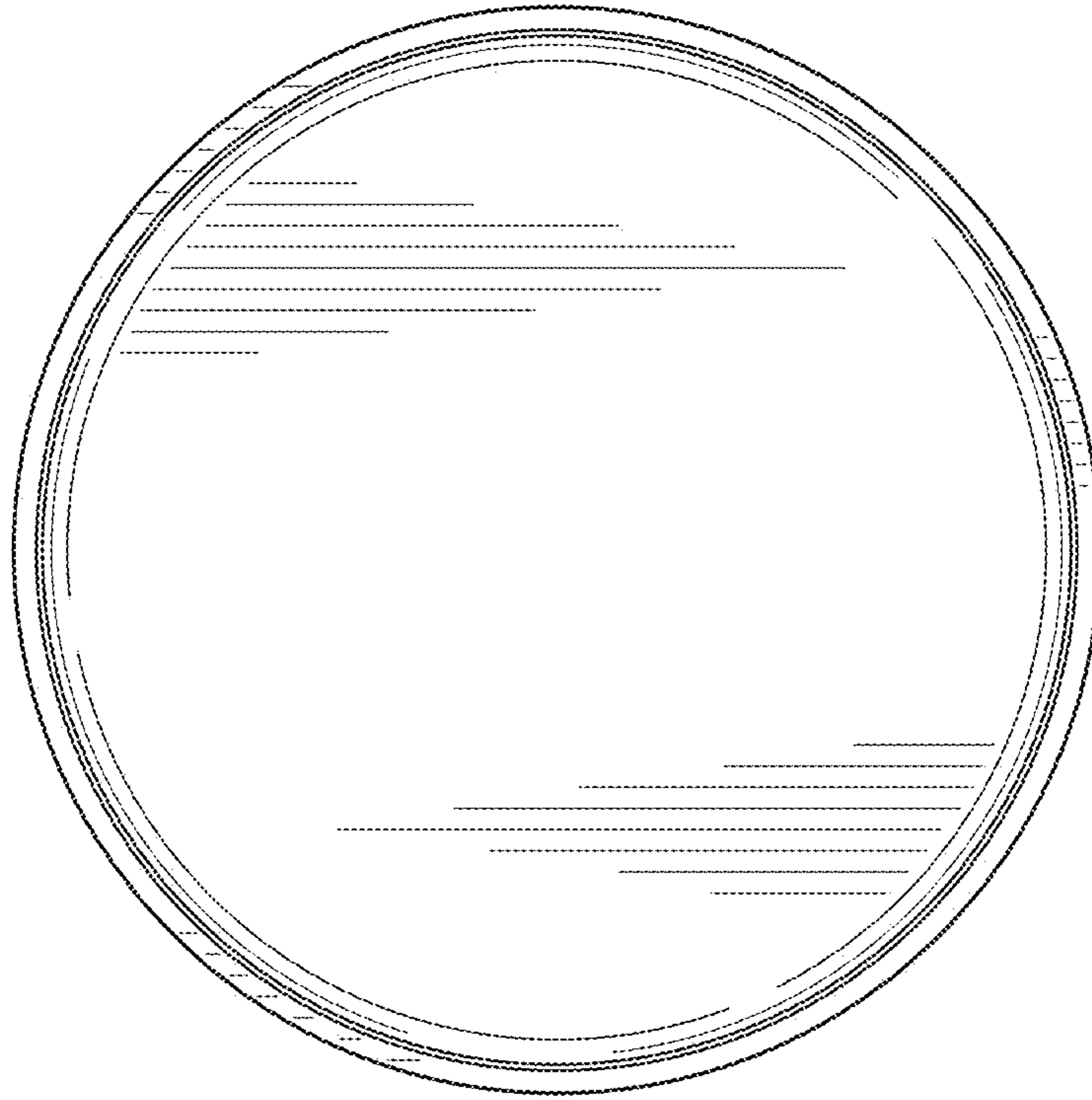


FIG. 4

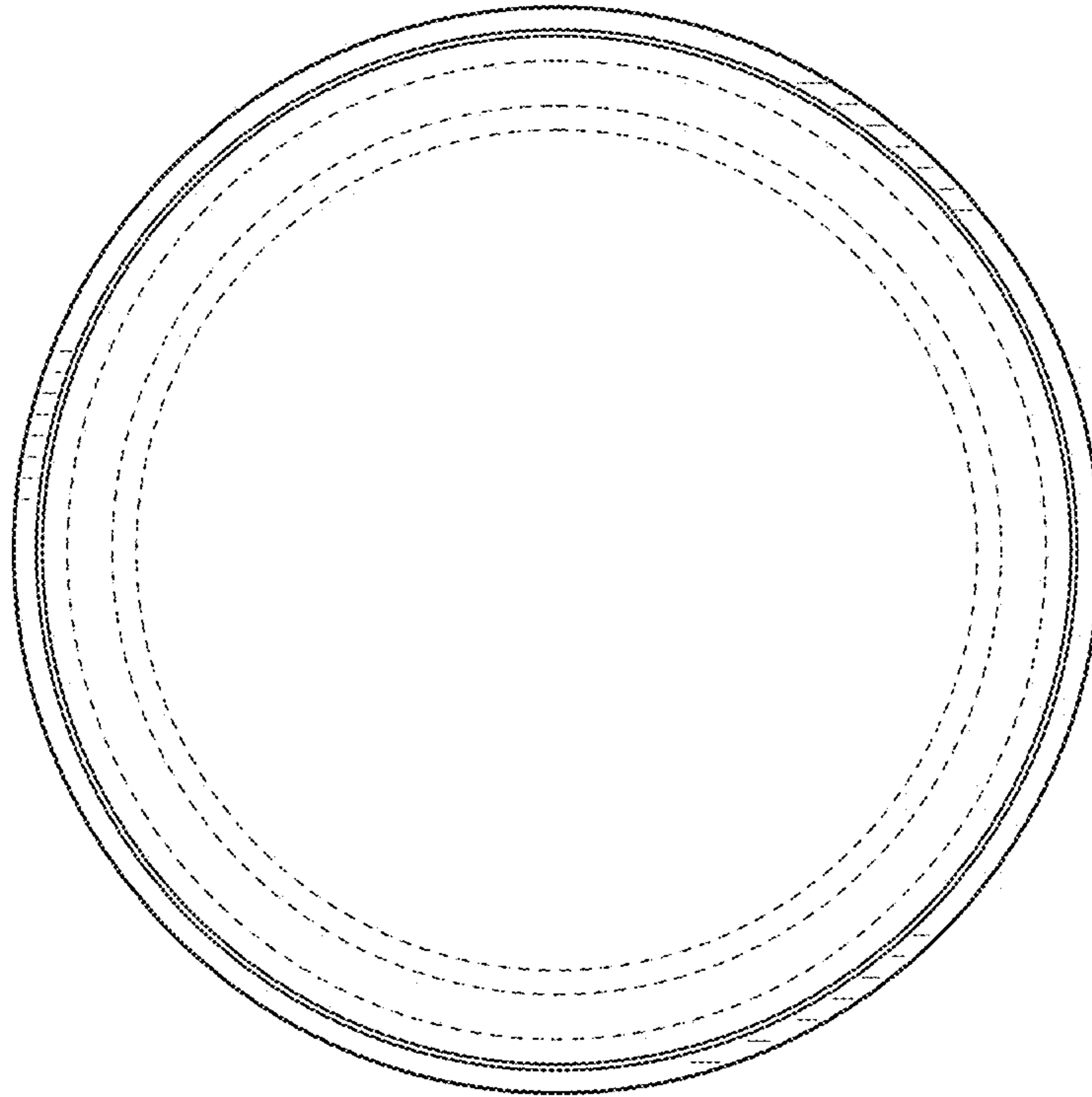


FIG. 5

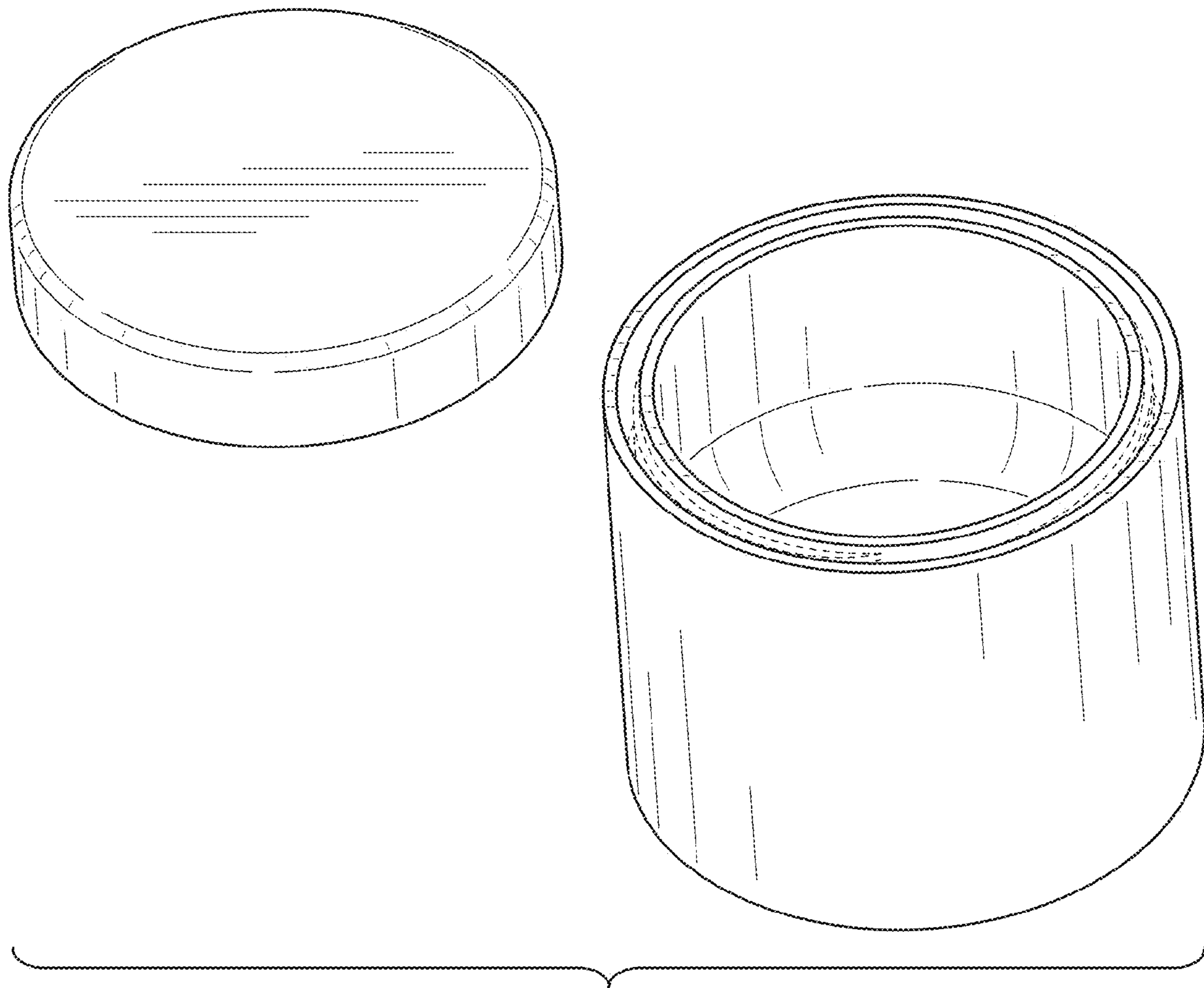


FIG. 6

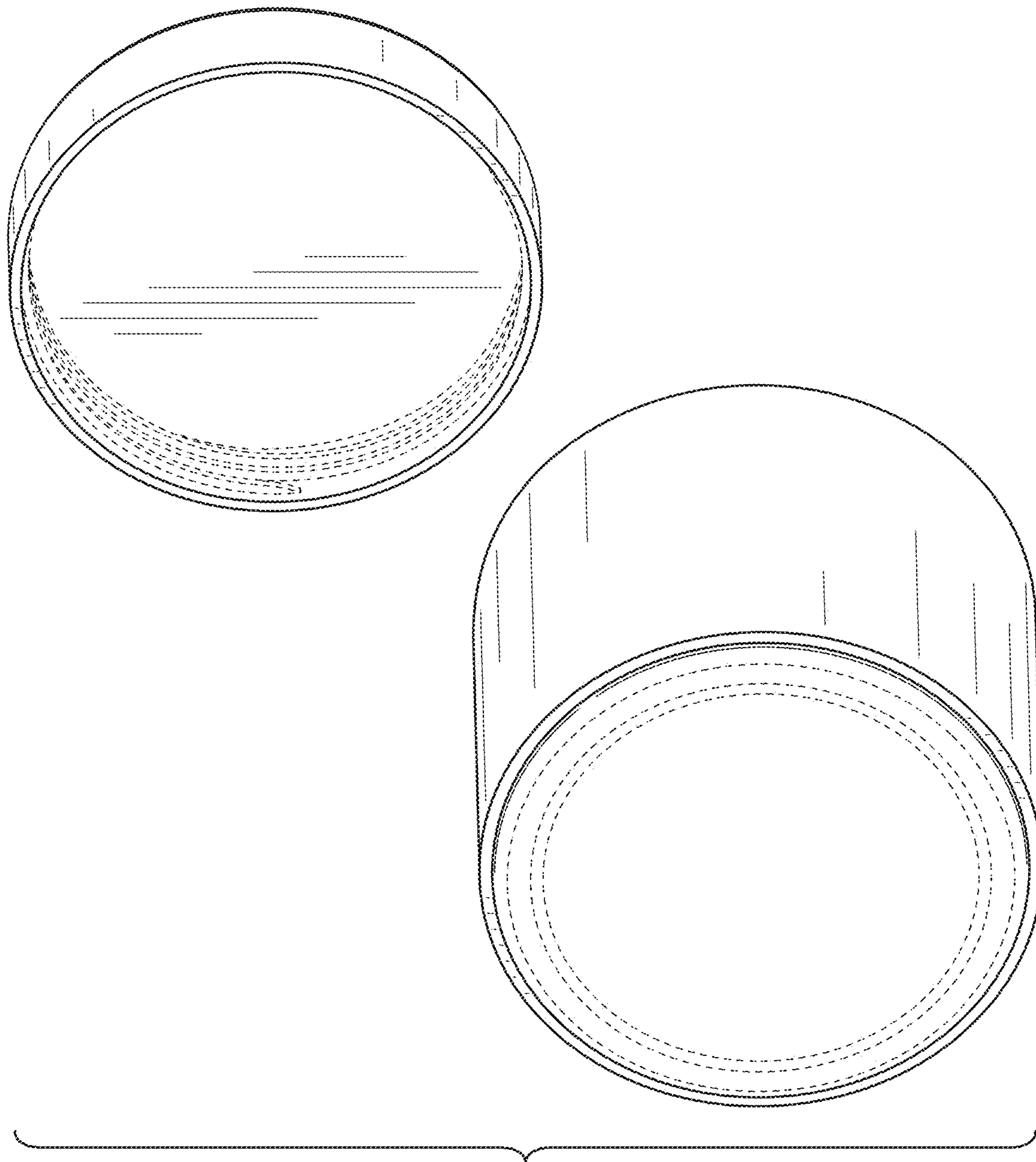


FIG. 7

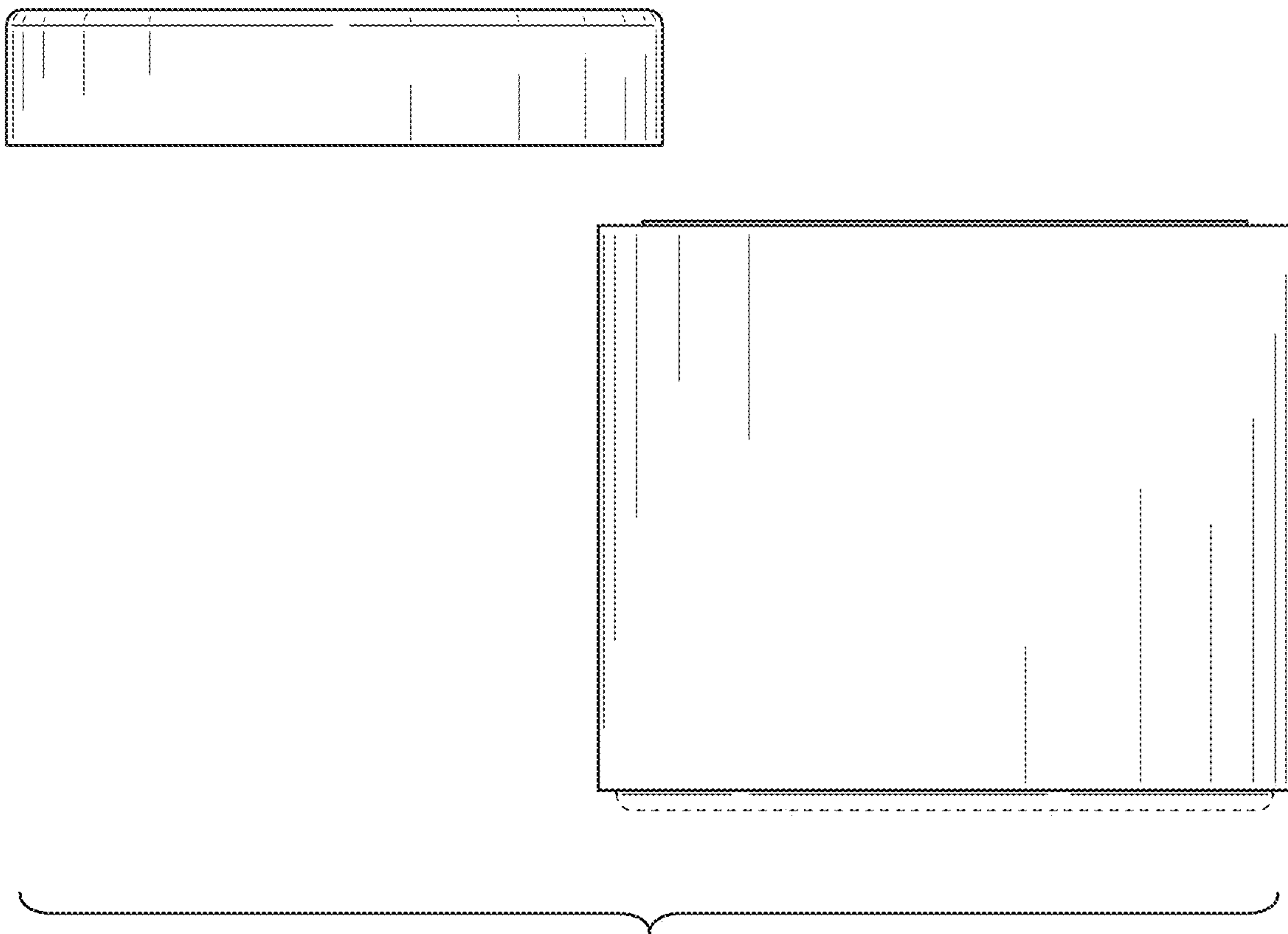


FIG. 8

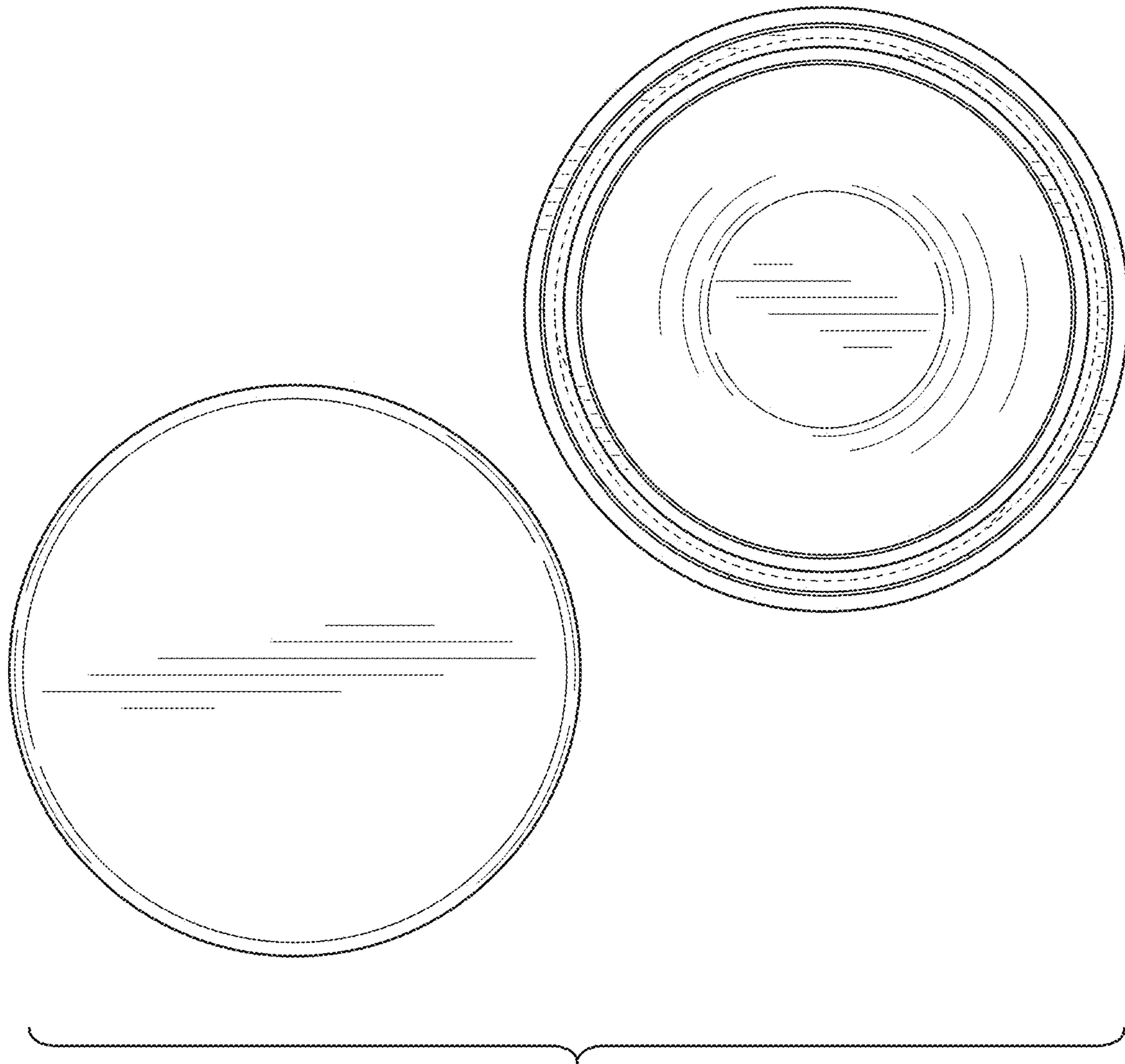


FIG. 9

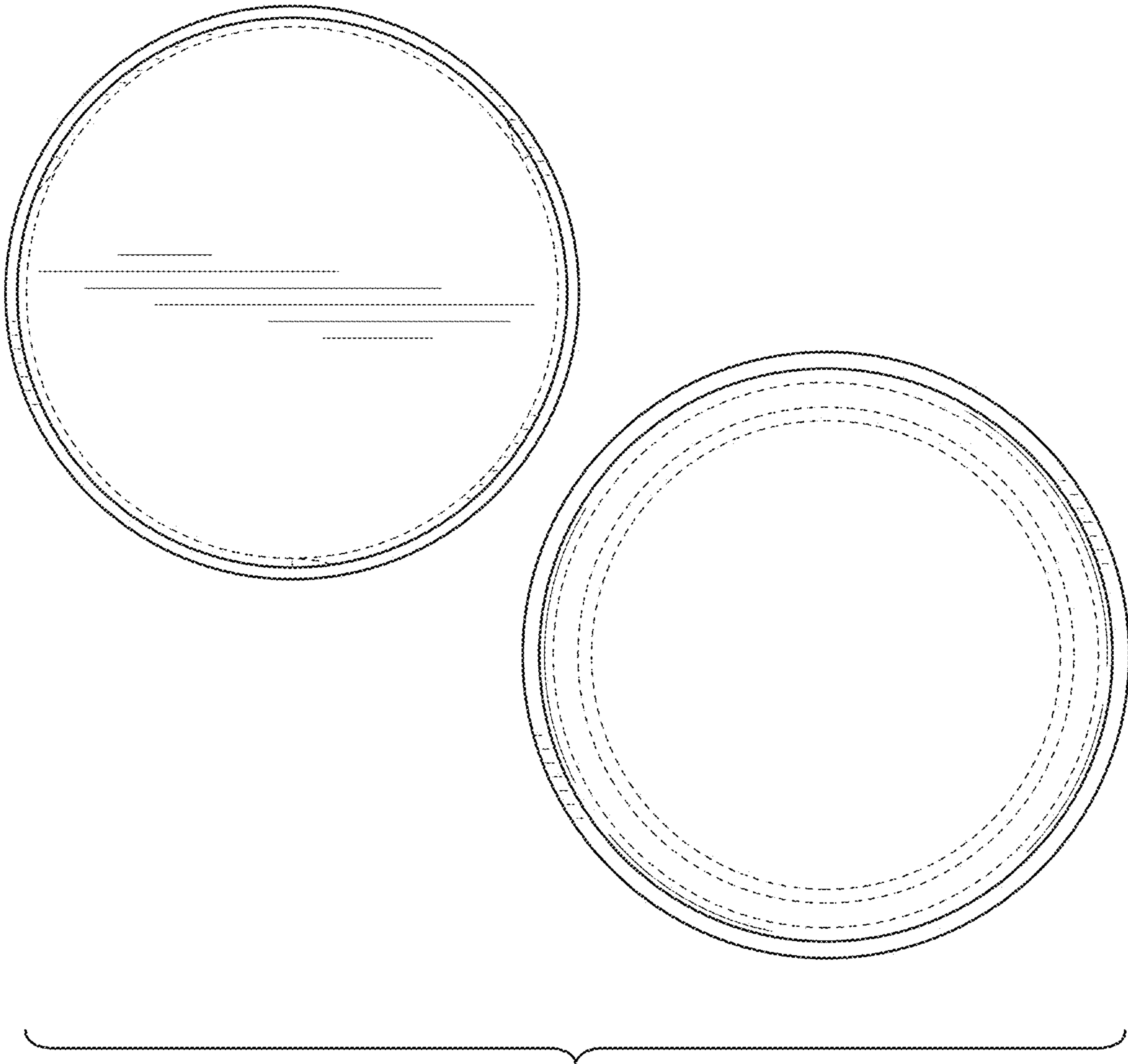


FIG. 10

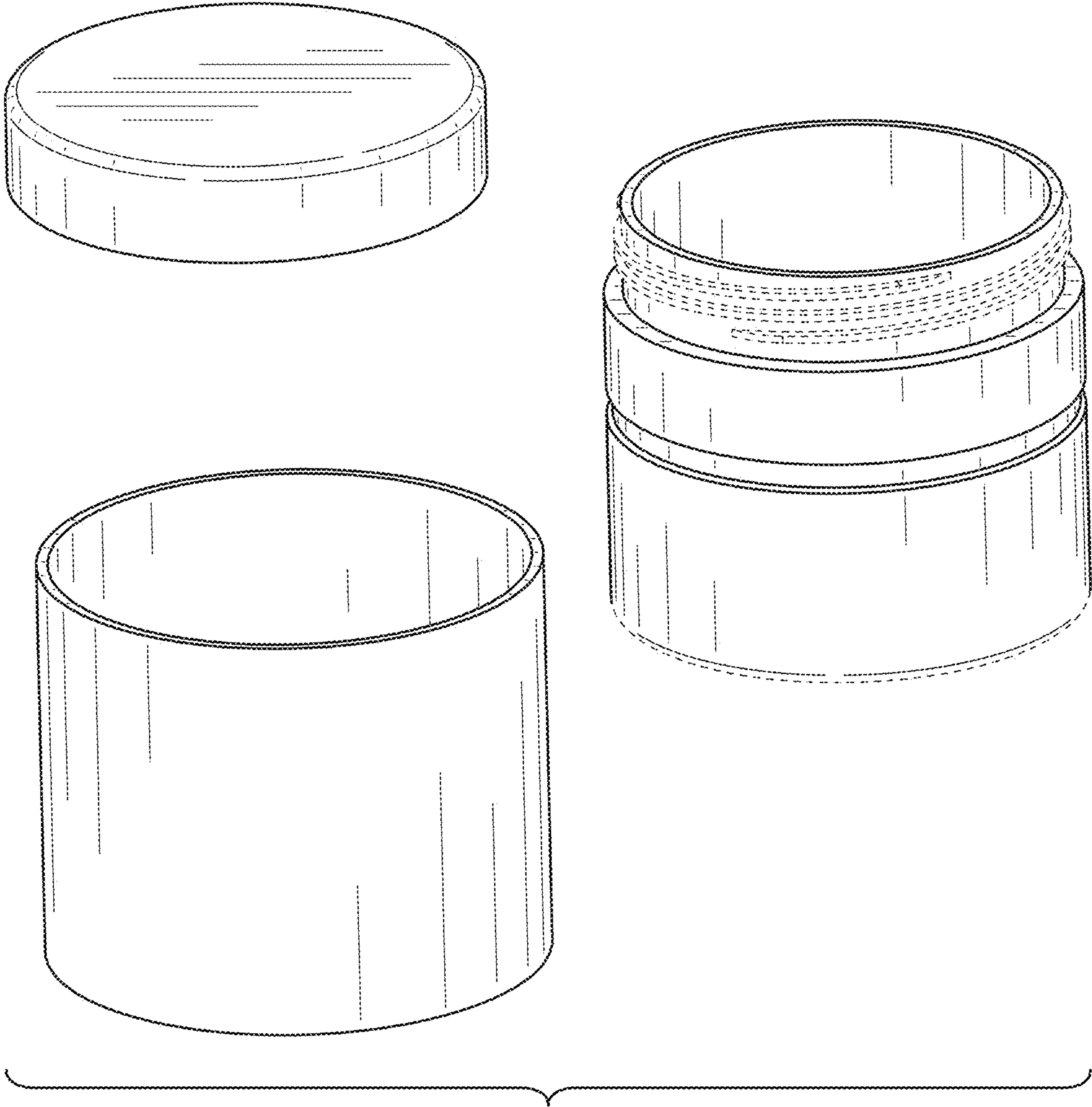


FIG. 11

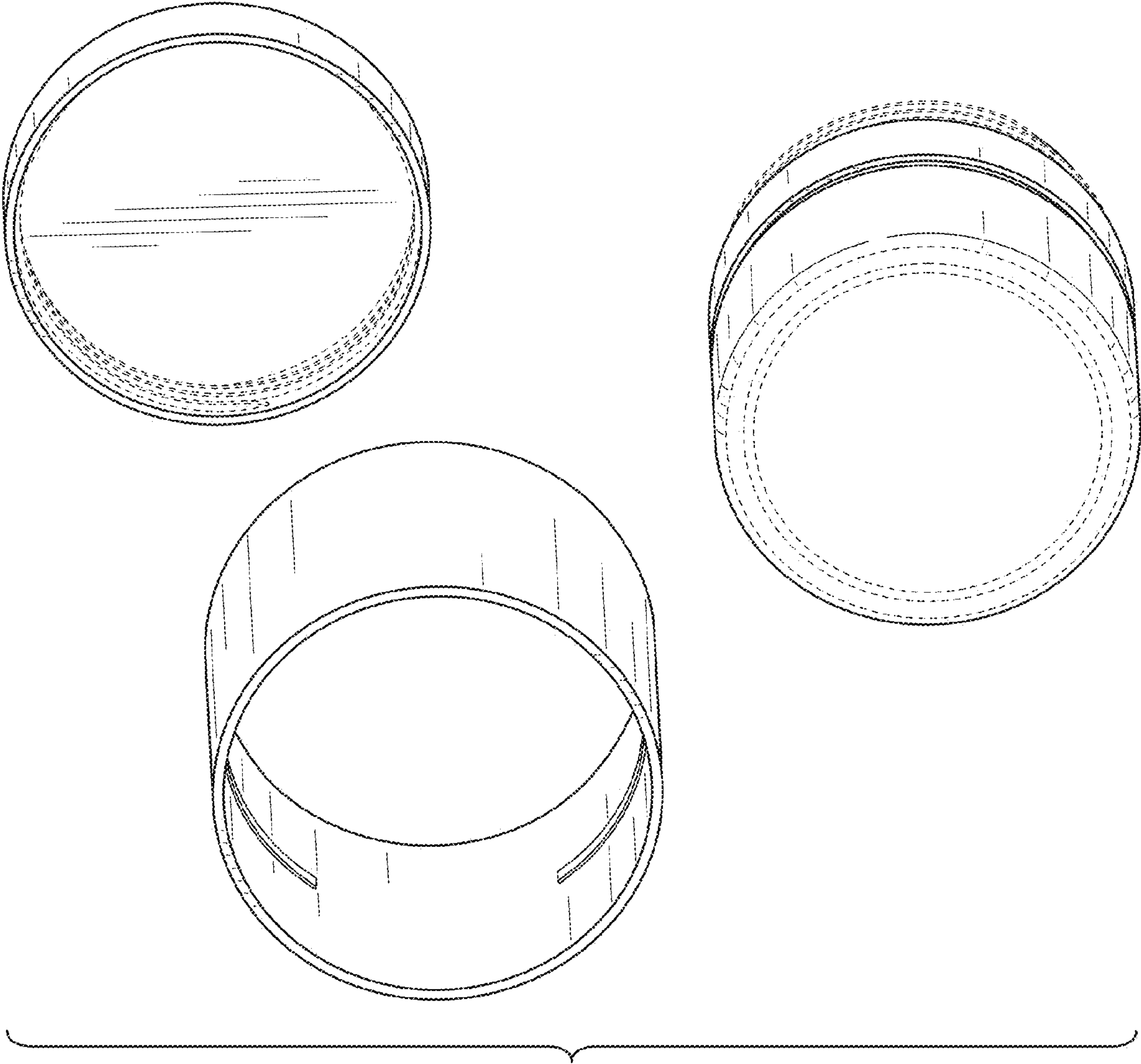


FIG. 12

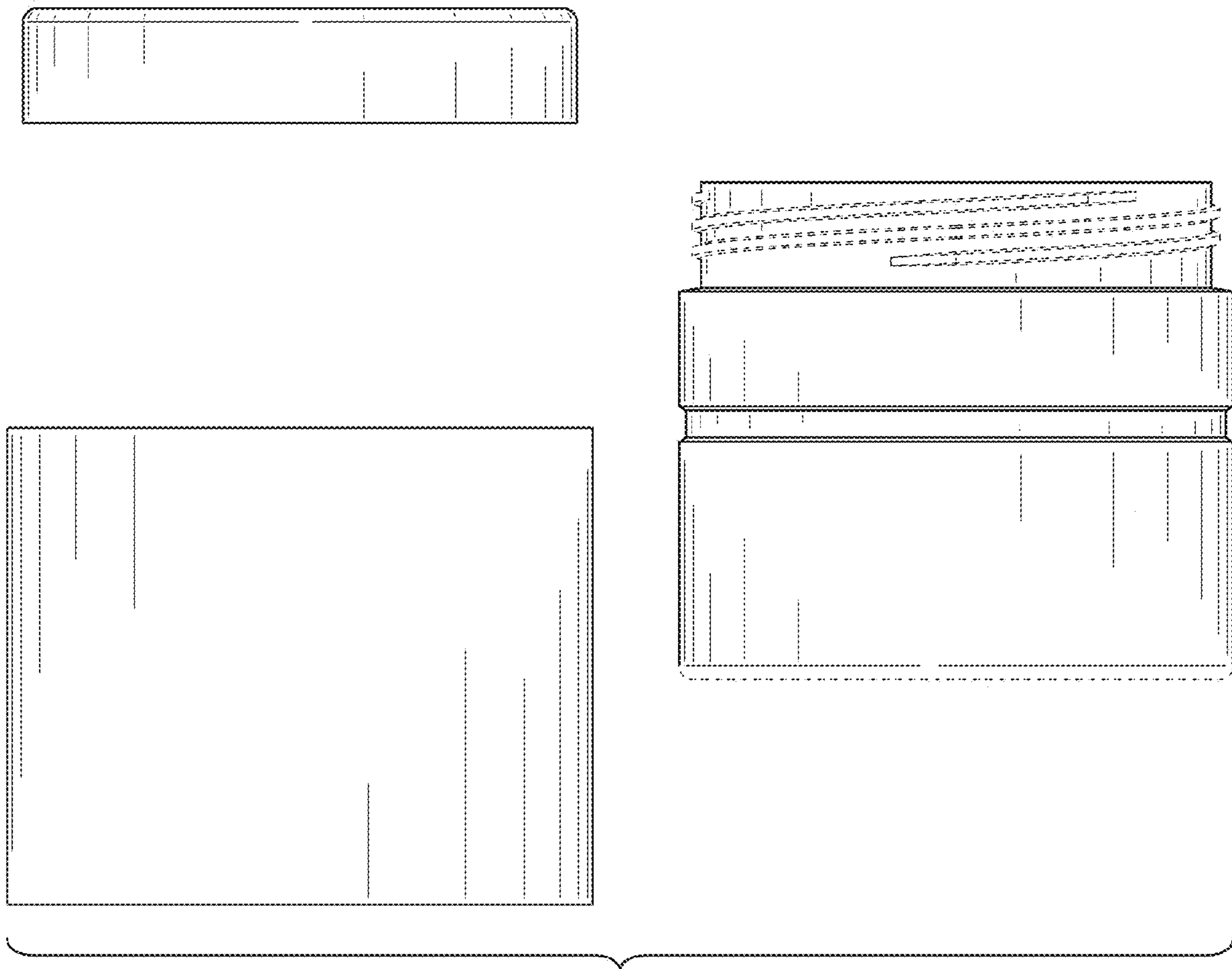


FIG. 13

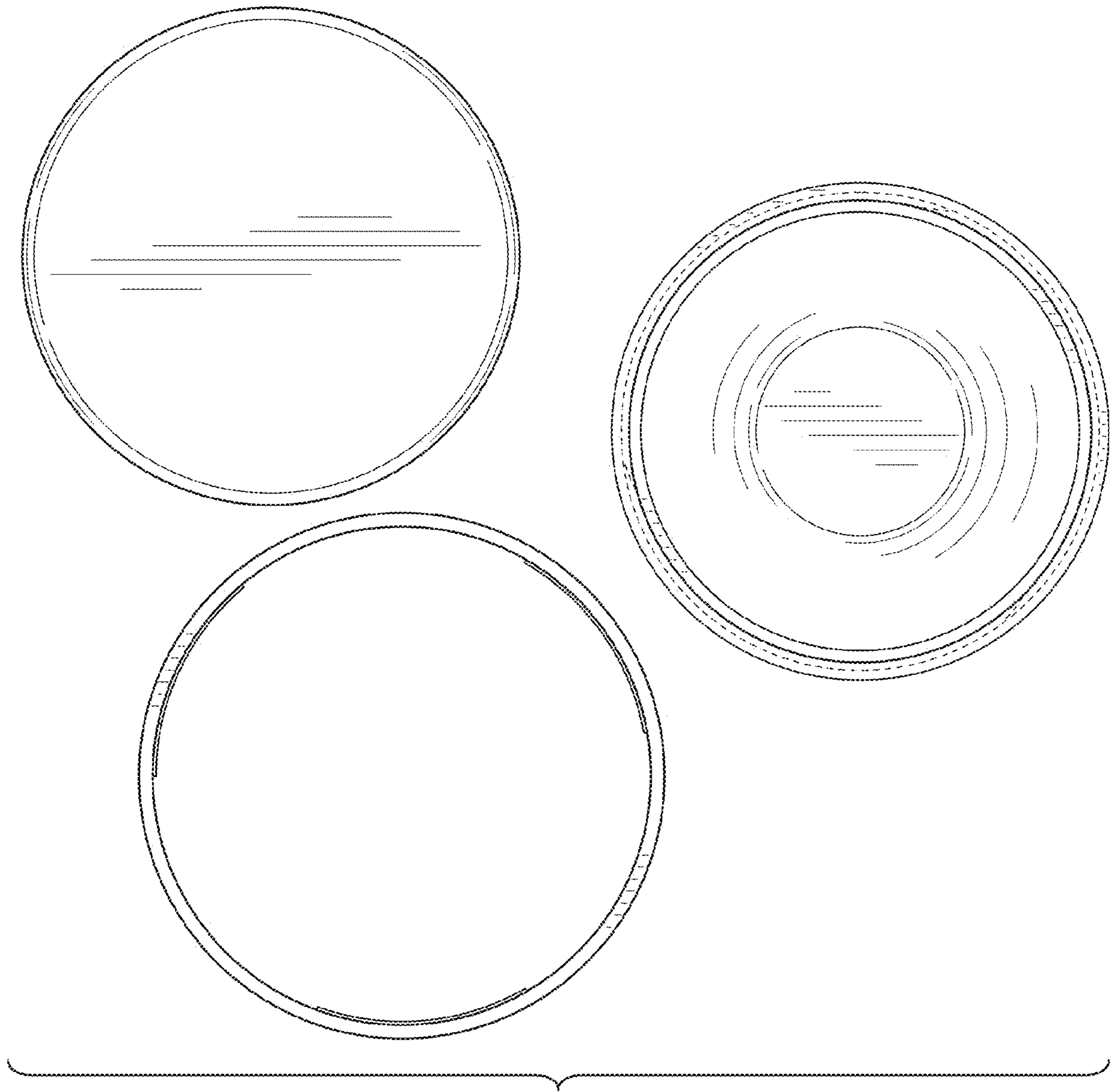


FIG. 14

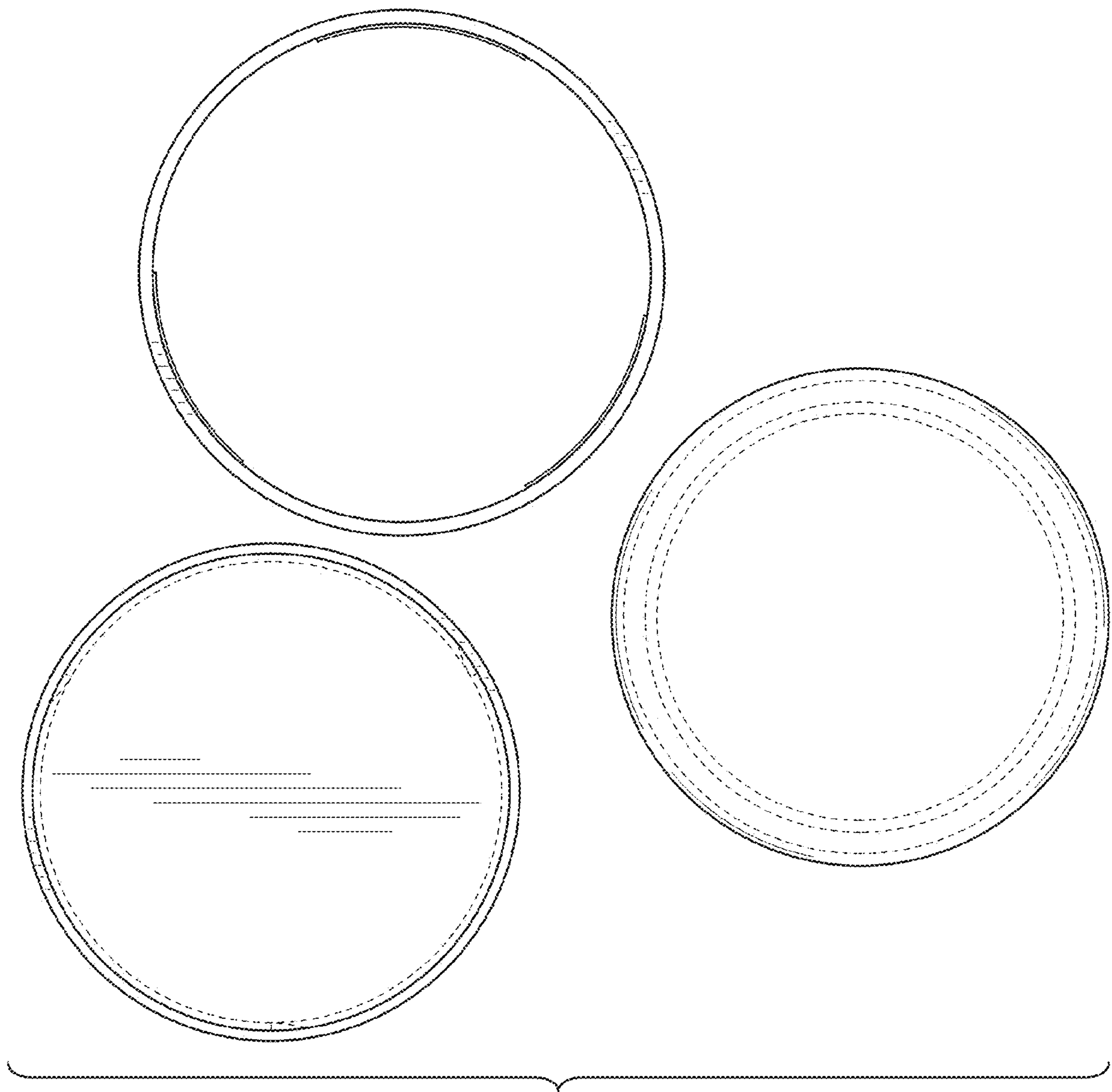


FIG. 15