



US00D897847S

(12) **United States Design Patent** (10) **Patent No.:** **US D897,847 S**
Glassman et al. (45) **Date of Patent:** **** Oct. 6, 2020**

(54) **PRODUCT TRAY**

(71) Applicant: **COMCAST CABLE COMMUNICATIONS, LLC**, Philadelphia, PA (US)

(72) Inventors: **Ellen Tave Glassman**, Closter, NJ (US); **Michael Boylan**, Brooklyn, NY (US)

(73) Assignee: **Comcast Cable Communications, LLC**, Philadelphia, PA (US)

(**) Term: **15 Years**

(21) Appl. No.: **29/728,798**

(22) Filed: **Mar. 20, 2020**

Related U.S. Application Data

(62) Division of application No. 29/643,280, filed on Apr. 6, 2018, now Pat. No. Des. 885,913.

(51) **LOC (12) Cl.** **09-07**

(52) **U.S. Cl.**
USPC **D9/456**

(58) **Field of Classification Search**

USPC D6/300, 308, 546, 672, 675, 678.2; D7/300, 305, 306, 307, 308, 312, 313, D7/391, 397, 541, 550.1, 553.1, 553.2, D7/553.3, 555.589, 590, 601, 602, 701; D9/414, 415, 418, 420, 424, 425, 426, D9/430, 432, 433, 434, 455, 456, 457, D9/499, 721, 722, 737, 756, 759, 760, D9/761, 612, 653, 661, 667, 674; D19/3, D19/75, 107; D20/11, 14, 19, 21, 22, 27, D20/40, 42, 43, 44; D14/300, 308, 313, D14/314, 348-356, 441-446, 489, 491, D14/492, 494, 495; D5/6, 7, 11, 23, 25, D5/26, 37, 45, 56, 57, 58, 59.6, 61, 62; D3/272, 304

CPC A47J 47/20; B65D 21/083; B65D 21/086; B65D 57/00; B65D 61/02; B65D 81/133; B65D 5/01; B65D 5/0254; B65D 5/0045; B65D 5/18; B65D 5/2033; B65D 5/38;

B65D 5/40; B65D 5/48038; B65D 5/48032; B65D 5/48004; B65D 1/24; B65D 1/34; B65D 1/38; B65D 1/335; B65D 77/24; B65D 77/067; B65D 5/00-5/02; B65D 5/0209-0272; B65D 5/029; B65D 5/72; B65D 5/541; B65D 5/705; B65D 5/706; B65D 5/727; B65D 5/4204; B65D 1/00; B65D 1/02; B65D 1/0233; B65D 1/22; B65D 1/32; B65D 1/36; B65D 1/40; B65D

(Continued)

(56) **References Cited**

U.S. PATENT DOCUMENTS

D167,977 S * 10/1952 Francis D9/414
3,379,339 A * 4/1968 Asenbauer B65D 21/046
206/506

(Continued)

Primary Examiner — Catherine S Posthauer

(74) *Attorney, Agent, or Firm* — BakerHostetler

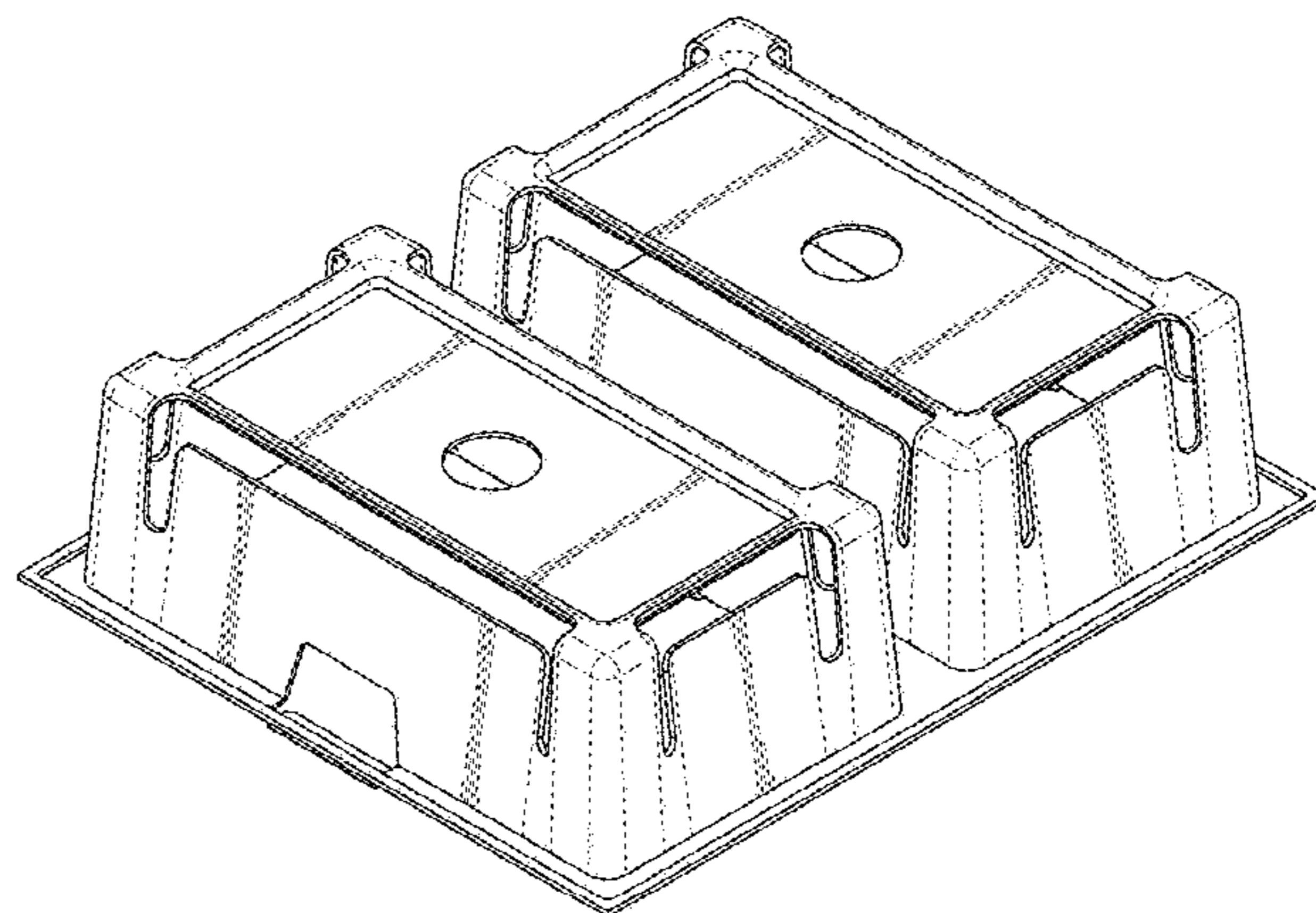
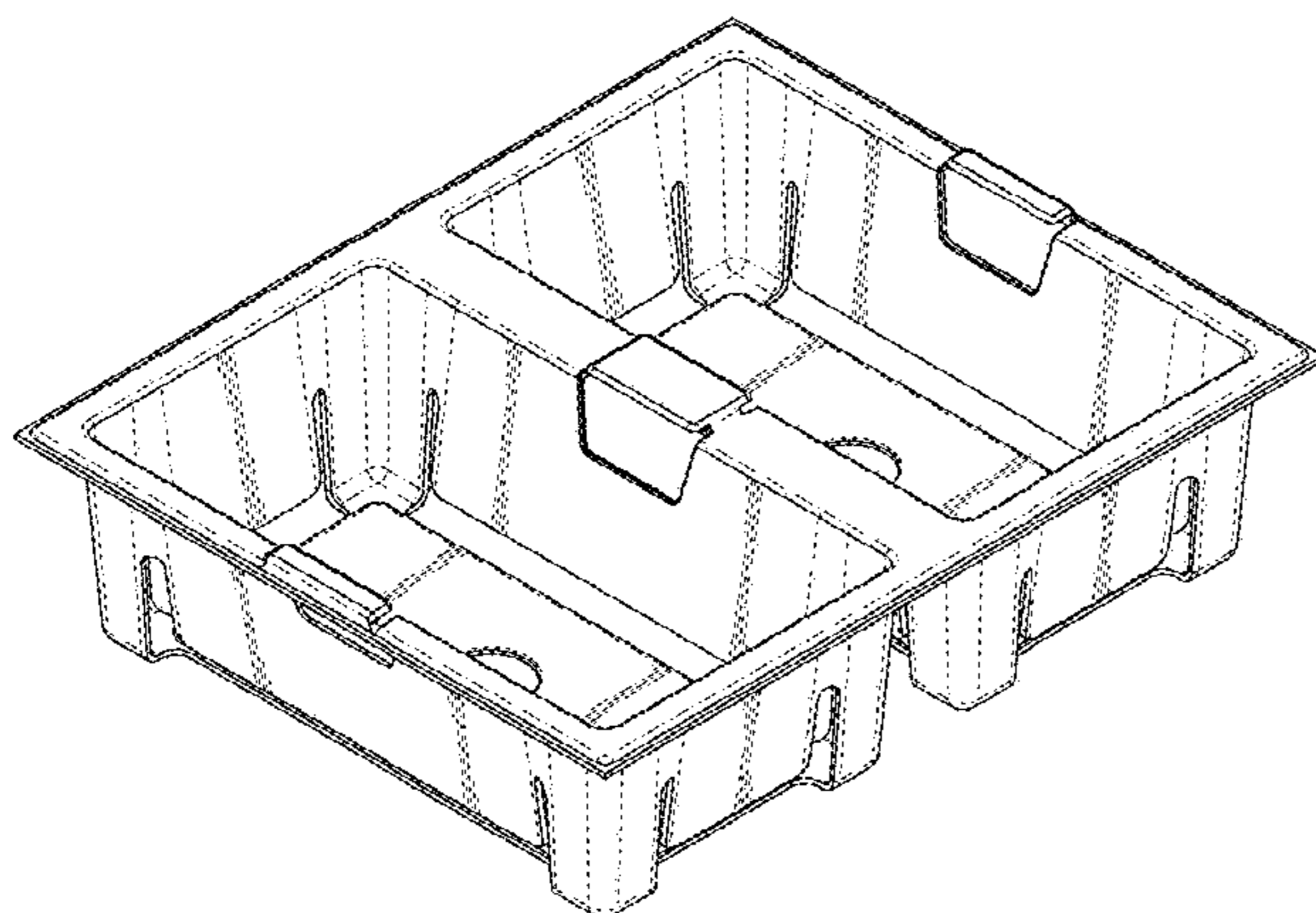
(57) **CLAIM**

The ornamental design for a product tray, as shown and described.

DESCRIPTION

FIG. 1 is a top perspective view of a product tray, showing our new design;
FIG. 2 is a bottom perspective view of the product tray of FIG. 1;
FIG. 3 is a top view of the product tray of FIG. 1;
FIG. 4 is a bottom view of the product tray of FIG. 1;
FIG. 5 is a front view of the product tray of FIG. 1;
FIG. 6 is a rear view of the product tray of FIG. 1;
FIG. 7 is a left side view of the product tray of FIG. 1; and,
FIG. 8 is a right side view of the product tray of FIG. 1.

1 Claim, 4 Drawing Sheets



(58) **Field of Classification Search**

CPC 1/225; B65D 23/00; B65D 23/12; B65D
 23/14; B65D 2543/00296; B65D 15/08;
 B65D 65/22; A47L 13/00; A47L 13/10;
 A47L 13/12; A47L 13/16; A47L 13/17;
 A47L 13/18

See application file for complete search history.

(56) **References Cited**

U.S. PATENT DOCUMENTS

D251,586 S * 4/1979 Levenhagen D3/314
 D257,109 S * 9/1980 Conti D7/553.3
 D265,711 S * 8/1982 Dunden D15/89
 D363,192 S * 10/1995 Reeves D7/553.3
 D377,583 S * 1/1997 Burke, Jr. D11/155
 D395,392 S * 6/1998 Lahm D9/425
 D523,338 S * 6/2006 Hoge D9/456
 D549,457 S * 8/2007 Dretzka D3/304

D612,153 S * 3/2010 Liao D3/304
 D627,645 S * 11/2010 Ma D9/456
 D627,646 S * 11/2010 Li D9/456
 D627,647 S * 11/2010 Li D9/456
 D627,648 S * 11/2010 He D9/456
 D627,649 S * 11/2010 He D9/456
 D628,070 S * 11/2010 Ma D9/456
 D628,071 S * 11/2010 He D9/456
 D648,535 S * 11/2011 Reinhart D3/302
 D746,131 S * 12/2015 Astorga D9/425
 D746,675 S * 1/2016 Astorga D9/425
 D747,962 S * 1/2016 Astorga D9/425
 D770,271 S * 11/2016 McBride D9/424
 D778,115 S * 2/2017 Strachan D7/553.1
 D808,806 S * 1/2018 Campbell D9/456
 D811,213 S * 2/2018 Pickard D9/425
 D813,672 S * 3/2018 Doster D9/456
 D832,577 S * 11/2018 Ogilvie D3/304
 D885,914 S * 6/2020 Glassman D9/456

* cited by examiner

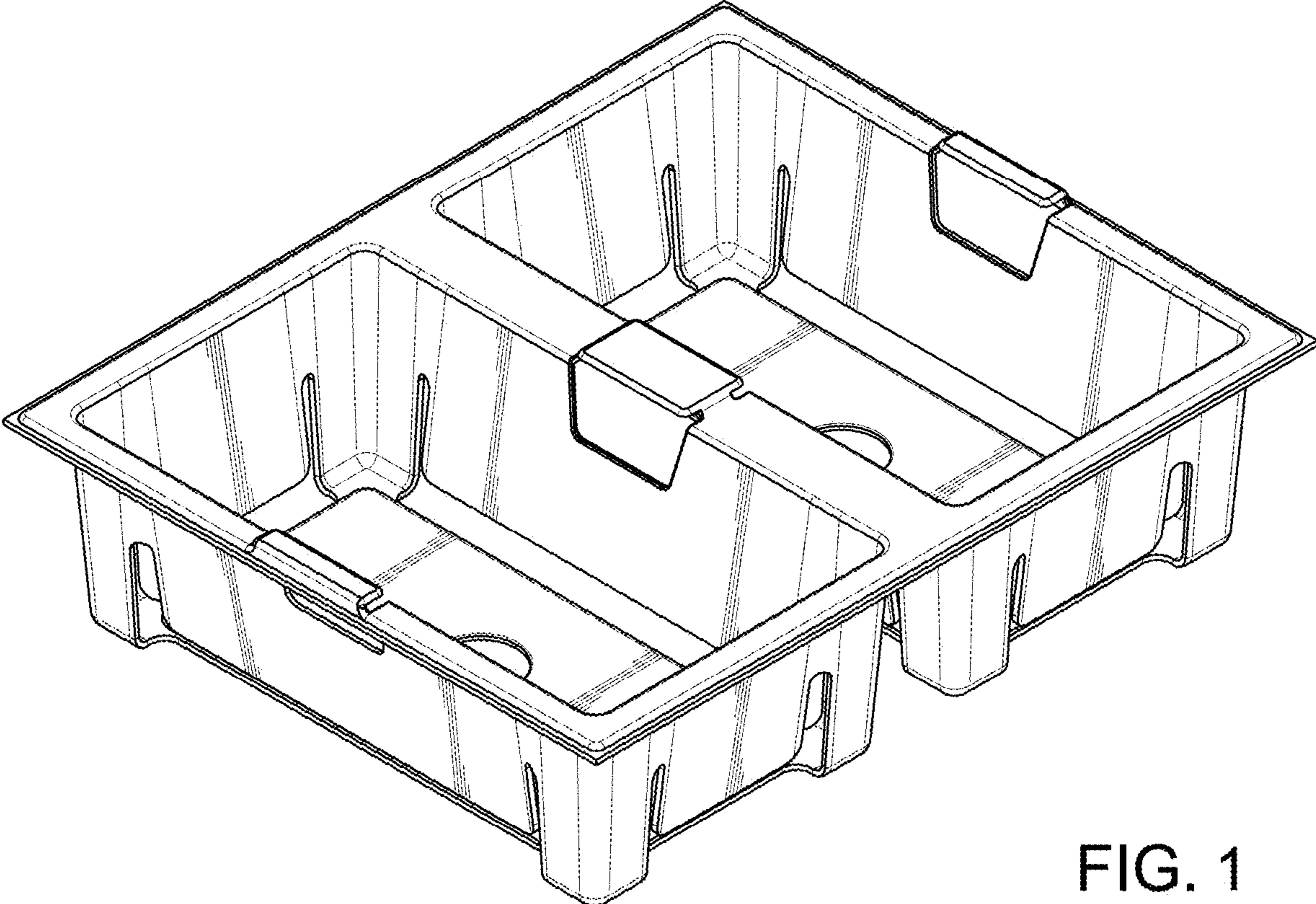


FIG. 1

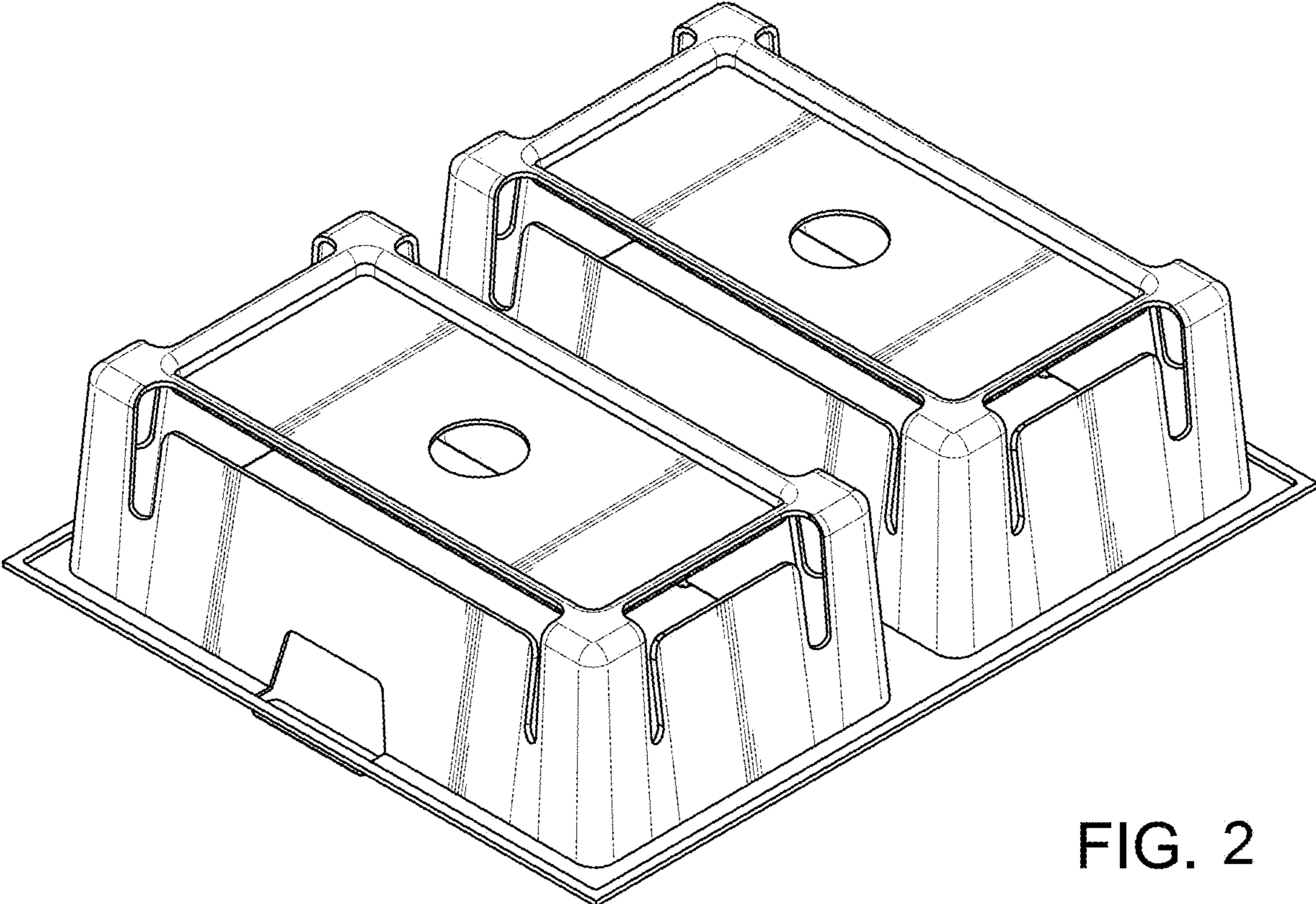


FIG. 2

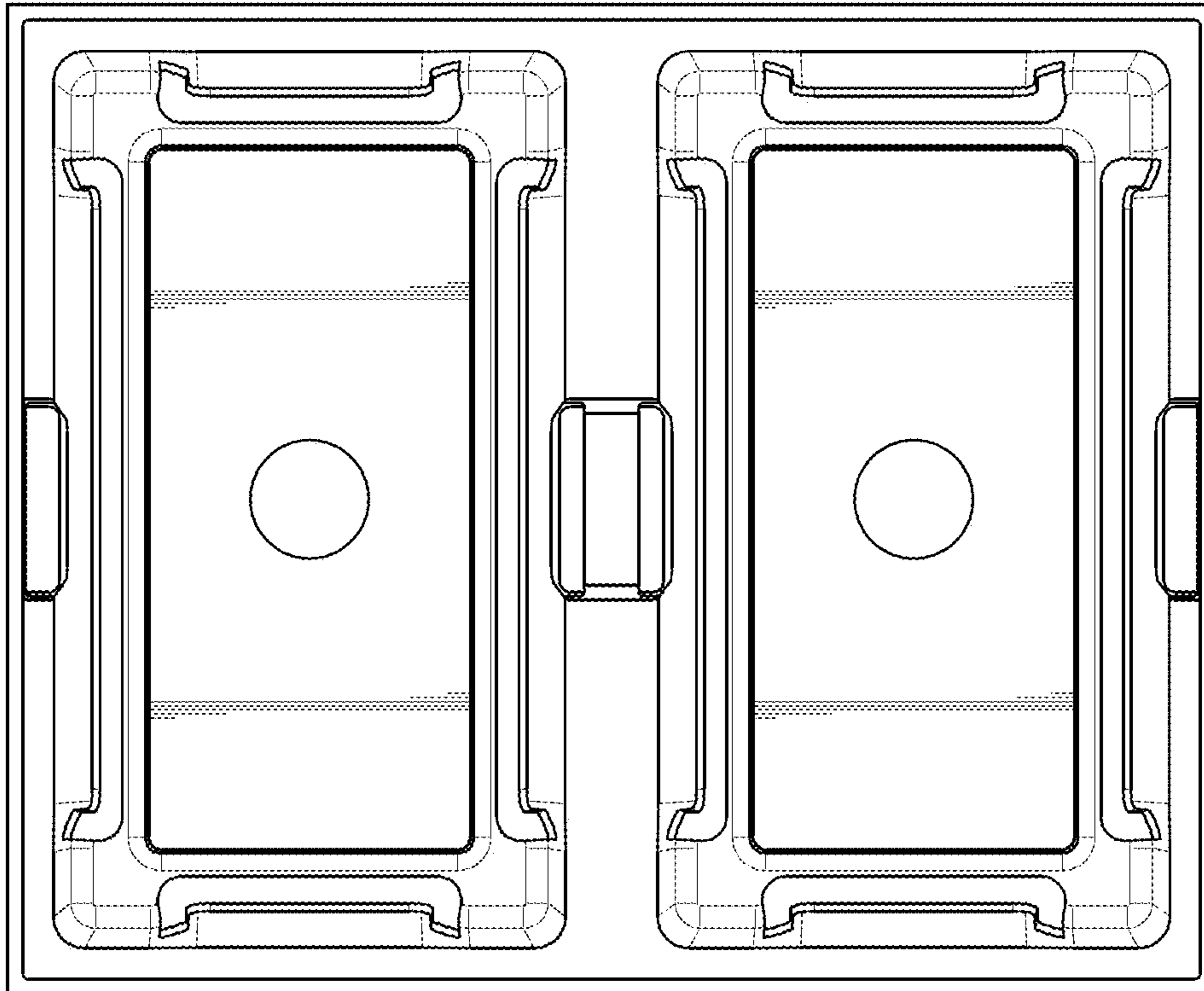


FIG. 4

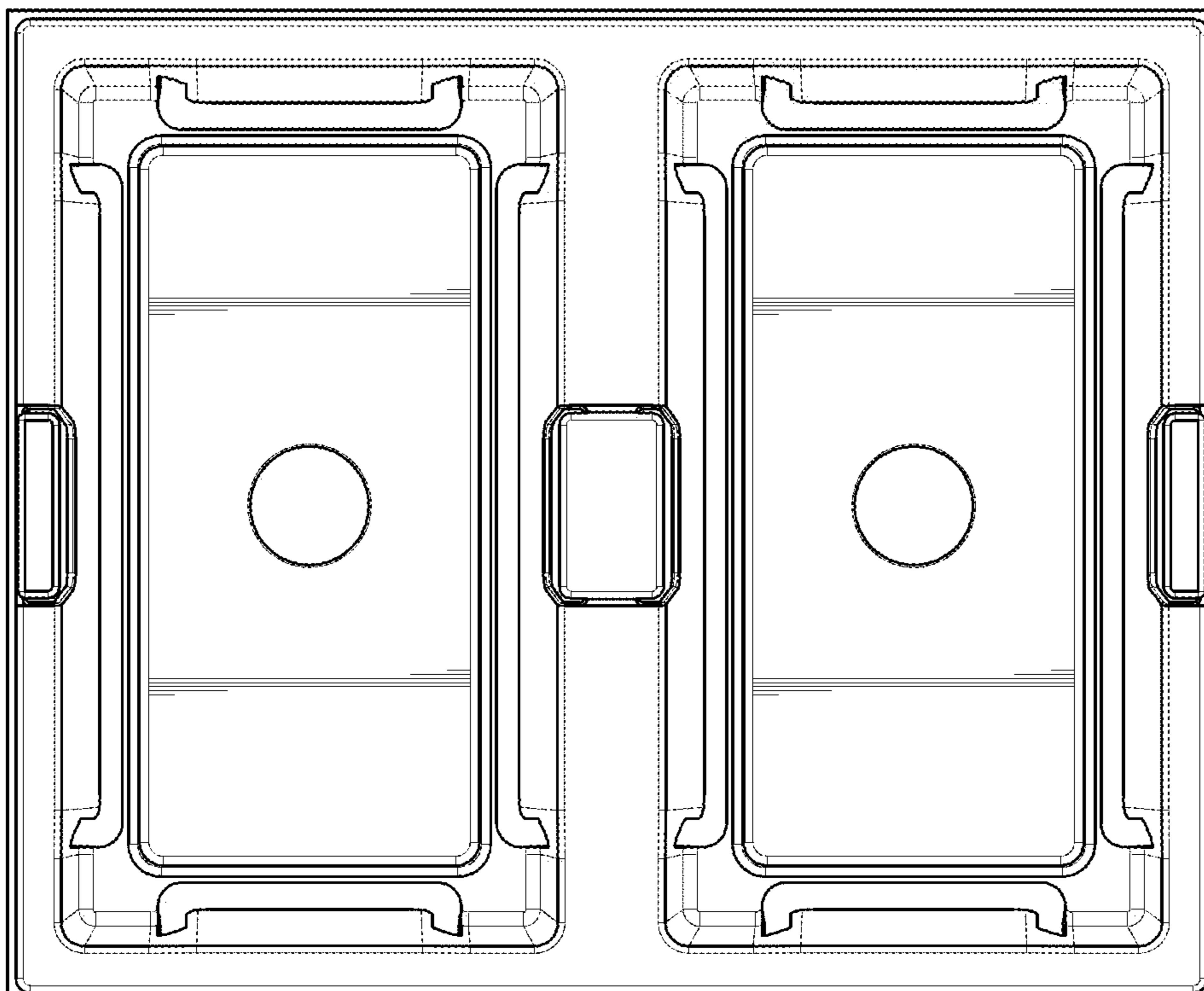


FIG. 3

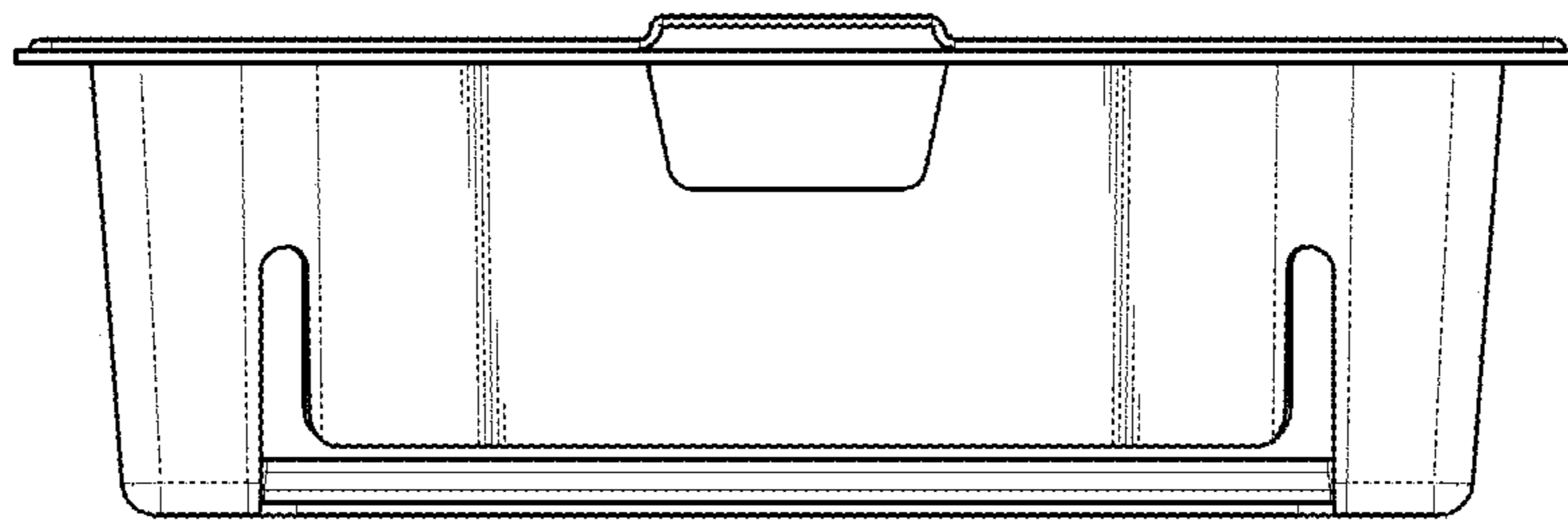


FIG. 5

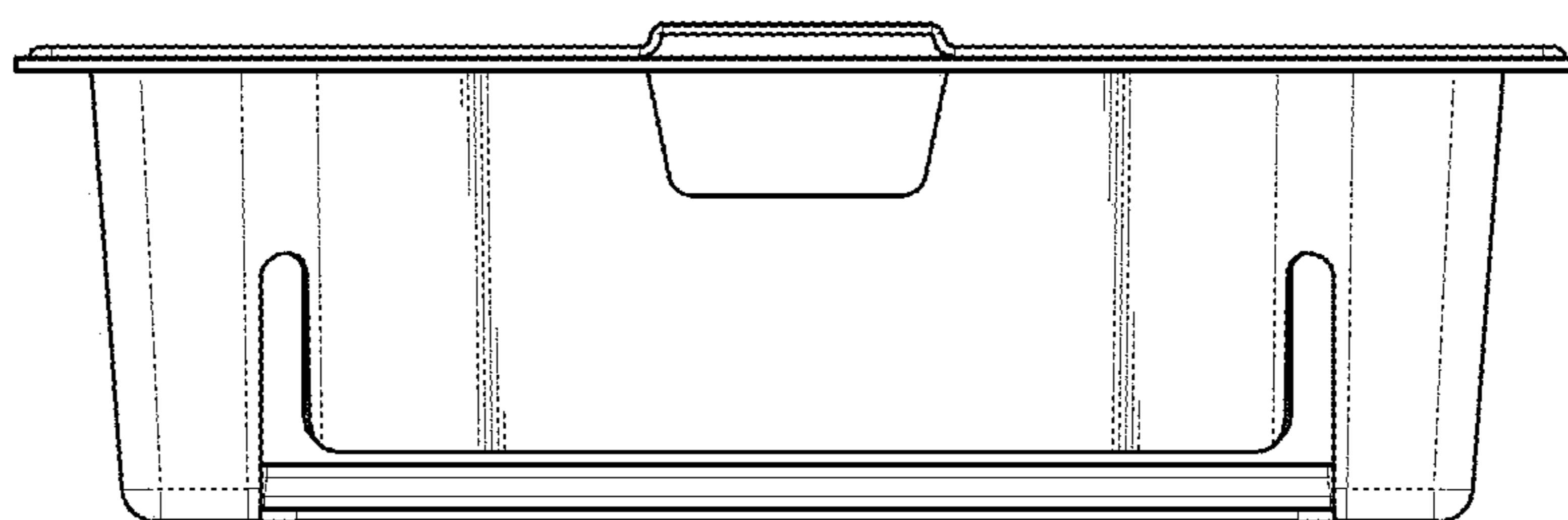


FIG. 6

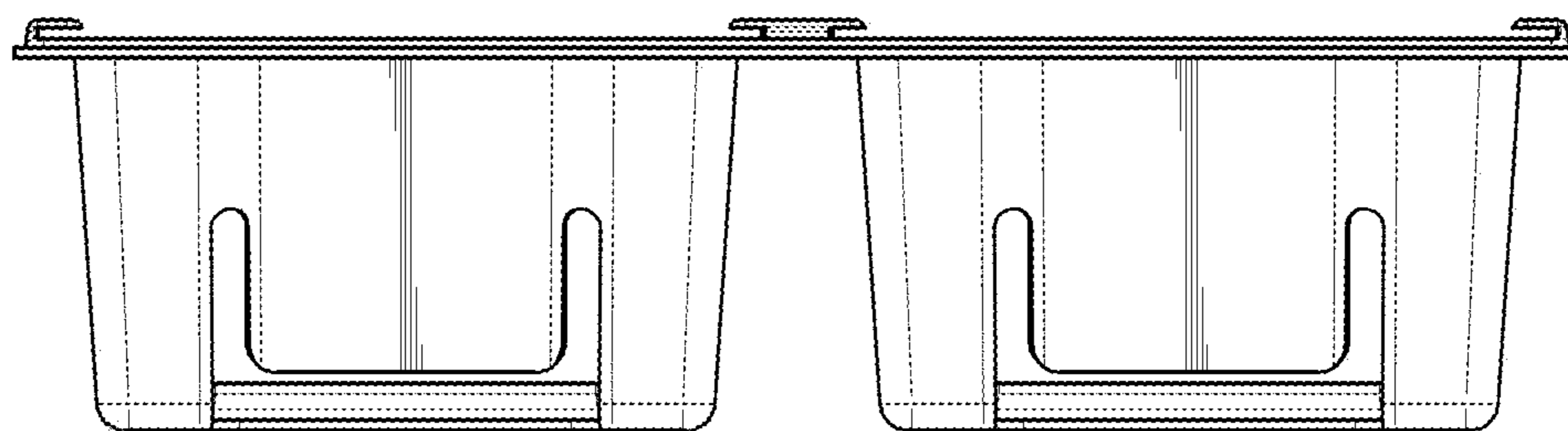


FIG. 7

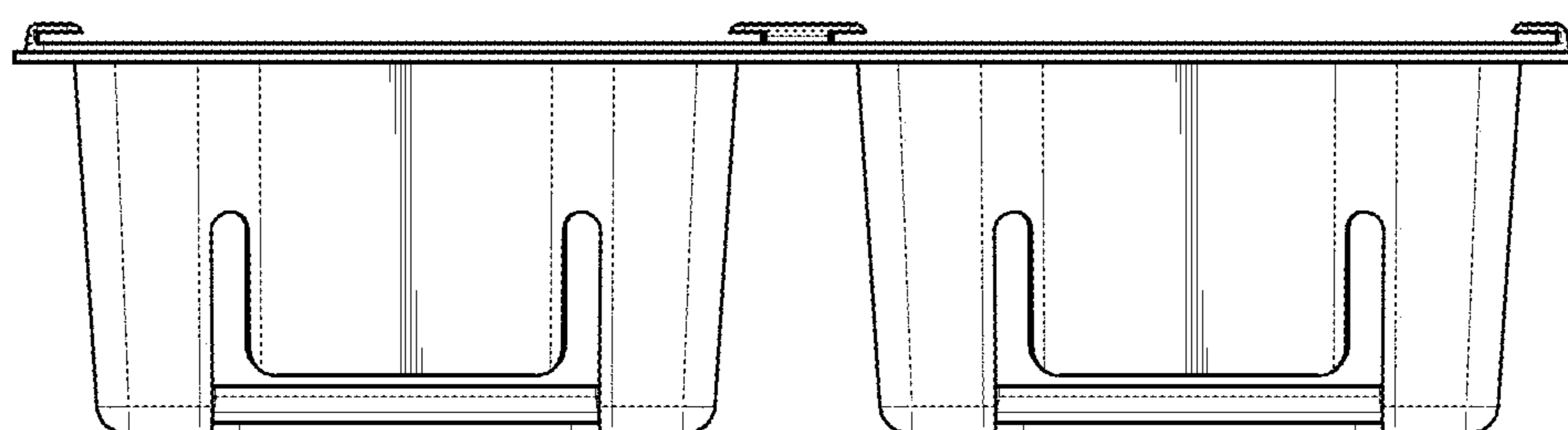


FIG. 8