



US00D897842S

(12) **United States Design Patent** (10) **Patent No.:** **US D897,842 S**
Trettin et al. (45) **Date of Patent:** **** Oct. 6, 2020**

(54) **FLUID DISPENSER**
(71) Applicant: **LB USA FLEXIBLES, INC.**,
Bolingbrook, IL (US)
(72) Inventors: **Bradley L. Trettin**, Buffalo Lake, MN
(US); **Loren L. Brelje**, Glencoe, MN
(US)
(73) Assignee: **LB USA Flexibles, Inc.**, Bolingbrook,
IL (US)

(**) Term: **15 Years**

(21) Appl. No.: **29/592,944**

(22) Filed: **Feb. 3, 2017**

(51) **LOC (12) Cl.** **09-07**

(52) **U.S. Cl.**
USPC **D9/447**

(58) **Field of Classification Search**
USPC D9/414, 415, 424, 425, 434, 435, 436,
D9/443, 444-452, 454-456, 499, 529,
D9/682, 685, 686, 503; D7/387, 391,
D7/392, 392.1, 396.1, 396.2, 396.3,
D7/396.4, 397, 398, 401.1, 507, 509-511,
D7/538, 900; D3/202, 203.2; D28/91,
D28/91.1
CPC .. A61J 1/00; A61J 1/1412; B65D 1/00; B65D
1/02; B65D 1/10; B65D 1/46; B65D
2585/56; B65D 2585/545; B65D 41/00;
B65D 41/38; B65D 41/56; B65D 41/62;
B65D 47/00; B65D 47/06; B65D 47/08;
B65D 2543/00046; B65D 2543/00092;
B65D 2543/00296; B65D 5/46; B65D
2251/00

See application file for complete search history.

(56) **References Cited**

U.S. PATENT DOCUMENTS

D263,933 S * 4/1982 Jones D9/447
D676,320 S * 2/2013 Richards D9/449

D682,612 S * 5/2013 Rzepecki D7/392.1
8,459,510 B2 * 6/2013 Richards B65D 47/249
222/188
D766,083 S * 9/2016 Trettin D9/440
D773,928 S * 12/2016 Trettin D9/440
D799,266 S * 10/2017 Schroedter D7/507
10,131,530 B2 * 11/2018 Trettin B67D 3/045
D839,663 S * 2/2019 Hu D7/391
2013/0098947 A1 * 4/2013 Richards B65D 47/32
222/484
2015/0048111 A1 * 2/2015 Bellmore B65D 47/247
222/105
2016/0304332 A1 * 10/2016 Georgelos B32B 27/18
2017/0190562 A1 * 7/2017 Trettin B67D 3/045

* cited by examiner

Primary Examiner — Wendy L Arminio

(74) *Attorney, Agent, or Firm* — McAndrews, Held &
Malloy, Ltd.

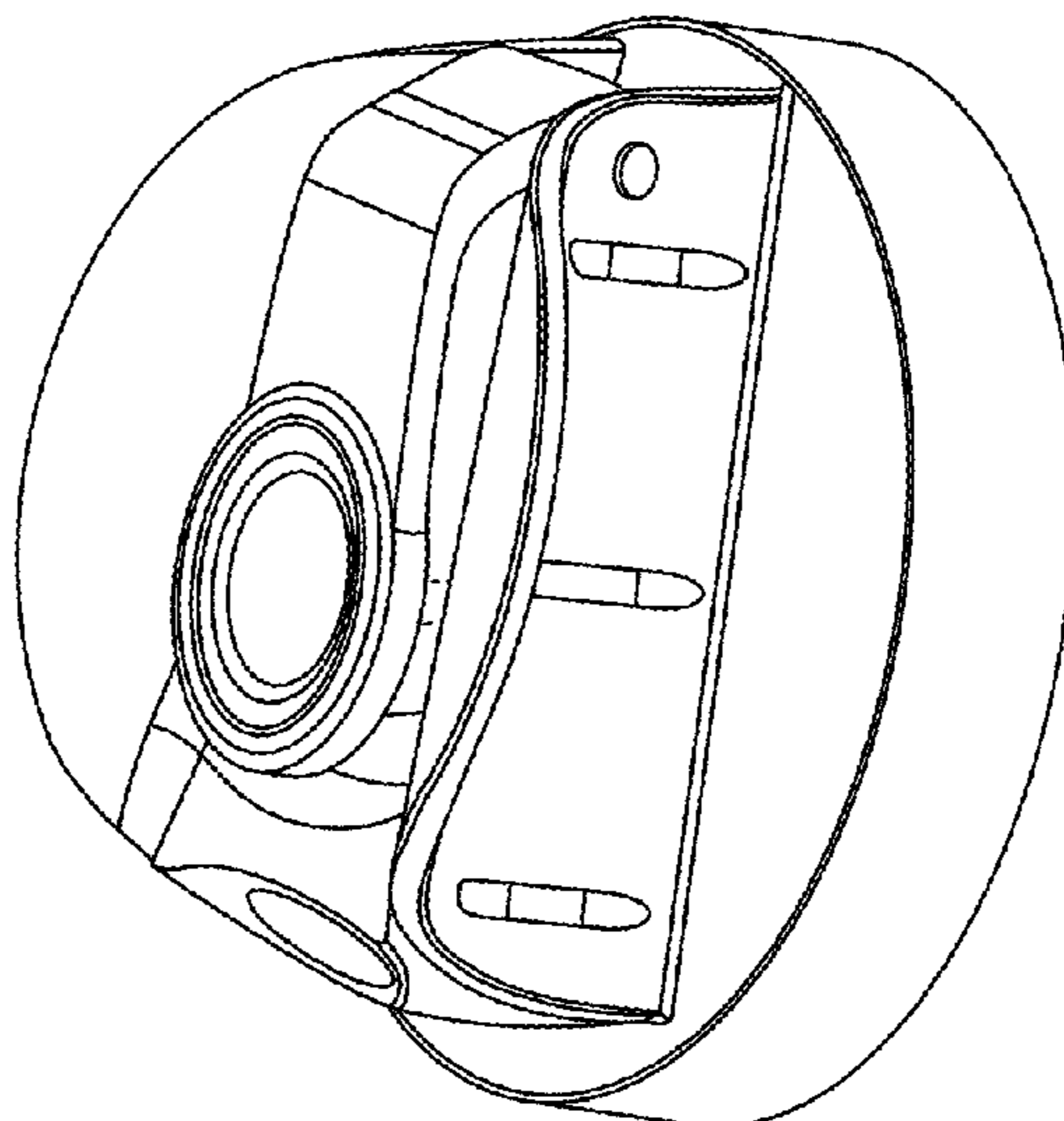
(57) **CLAIM**

The ornamental design for a fluid dispenser, as shown and described.

DESCRIPTION

FIG. 1 is a front view of the fluid dispenser.
FIG. 2 is a left side view of the fluid dispenser of FIG. 1.
FIG. 3 is a top view of the fluid dispenser of FIG. 1.
FIG. 4 is a bottom view of the fluid dispenser of FIG. 1.
FIG. 5 is a right side view of the fluid dispenser of FIG. 1.
FIG. 6 is a back view of the fluid dispenser of FIG. 1.
FIG. 7 is a three-dimensional view of the fluid dispenser of FIG. 1; and,
FIG. 8 is a three-dimensional view of the fluid dispenser of FIG. 1 from a different angle.
The broken lines depict portions of the fluid dispenser that form no part of the claimed design.

1 Claim, 4 Drawing Sheets



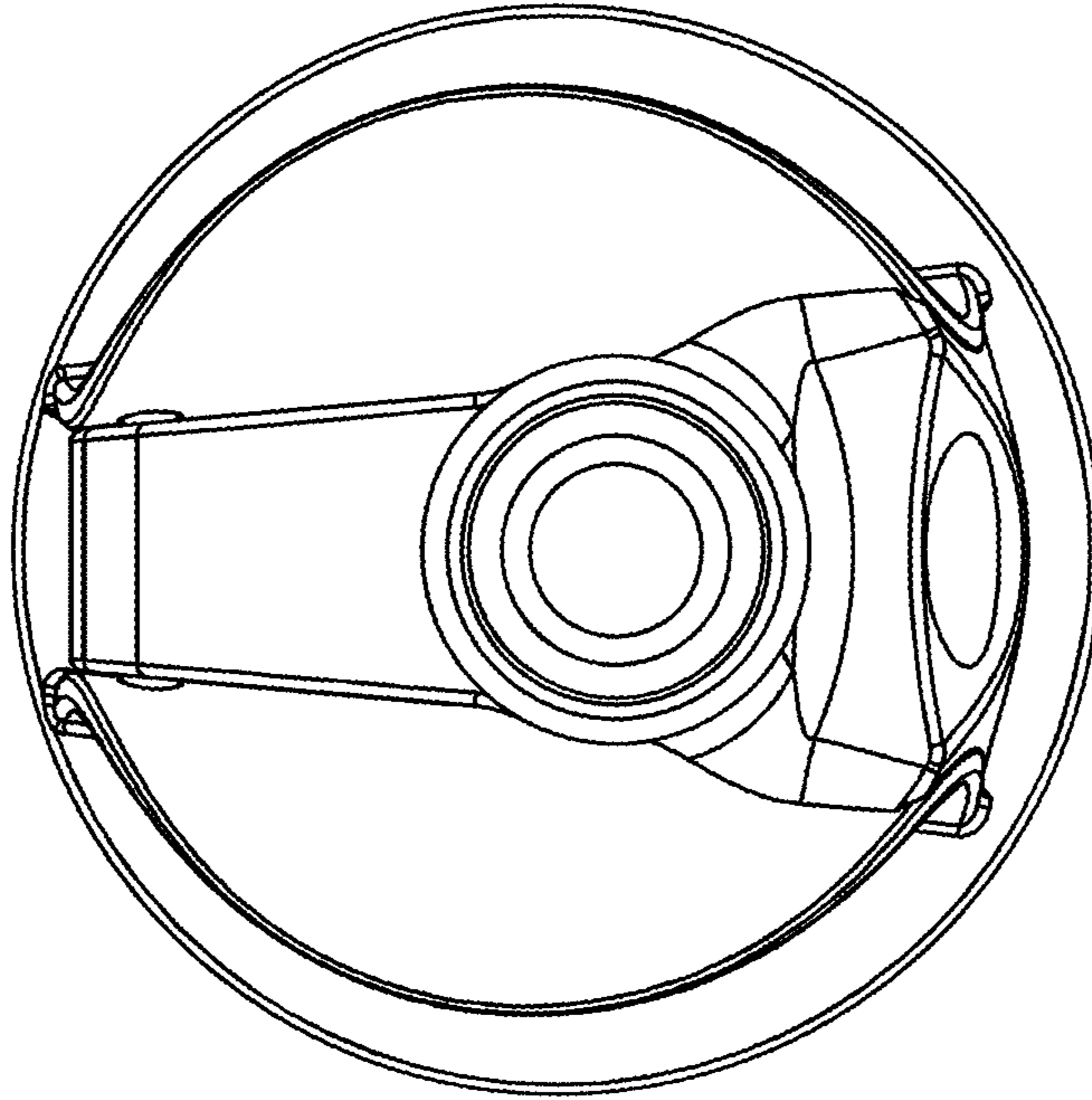


FIG. 1

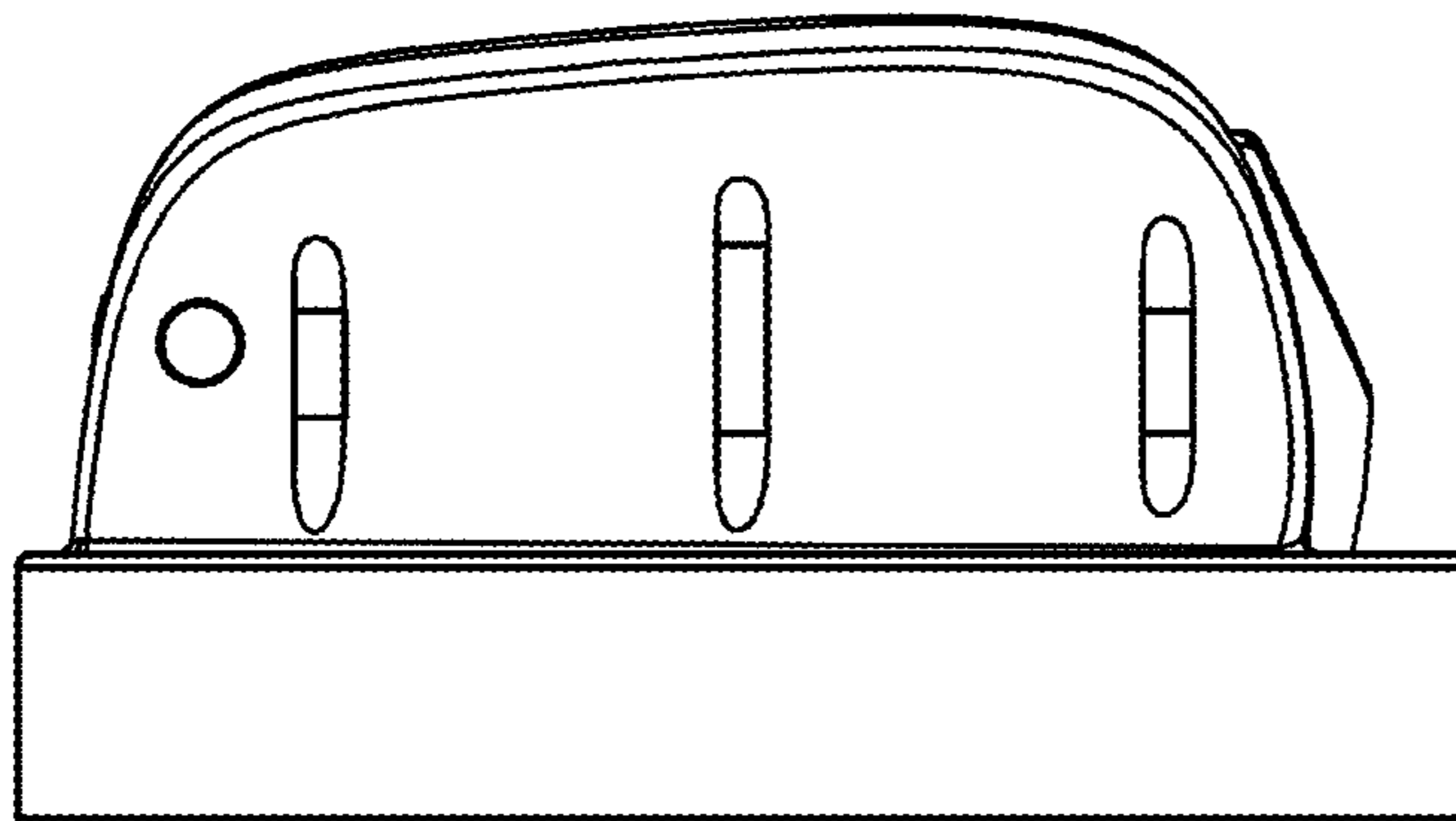


FIG. 2

FIG. 3

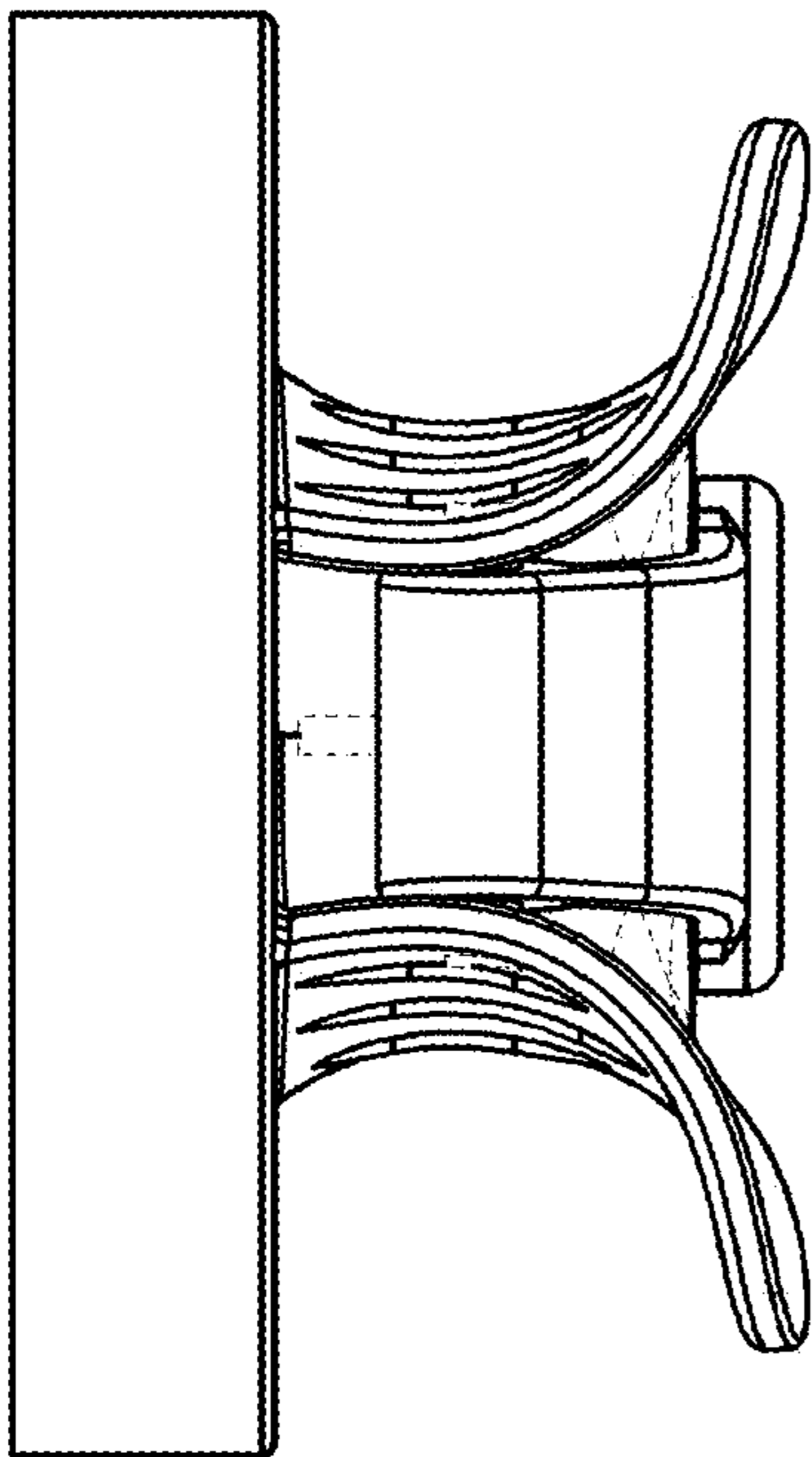
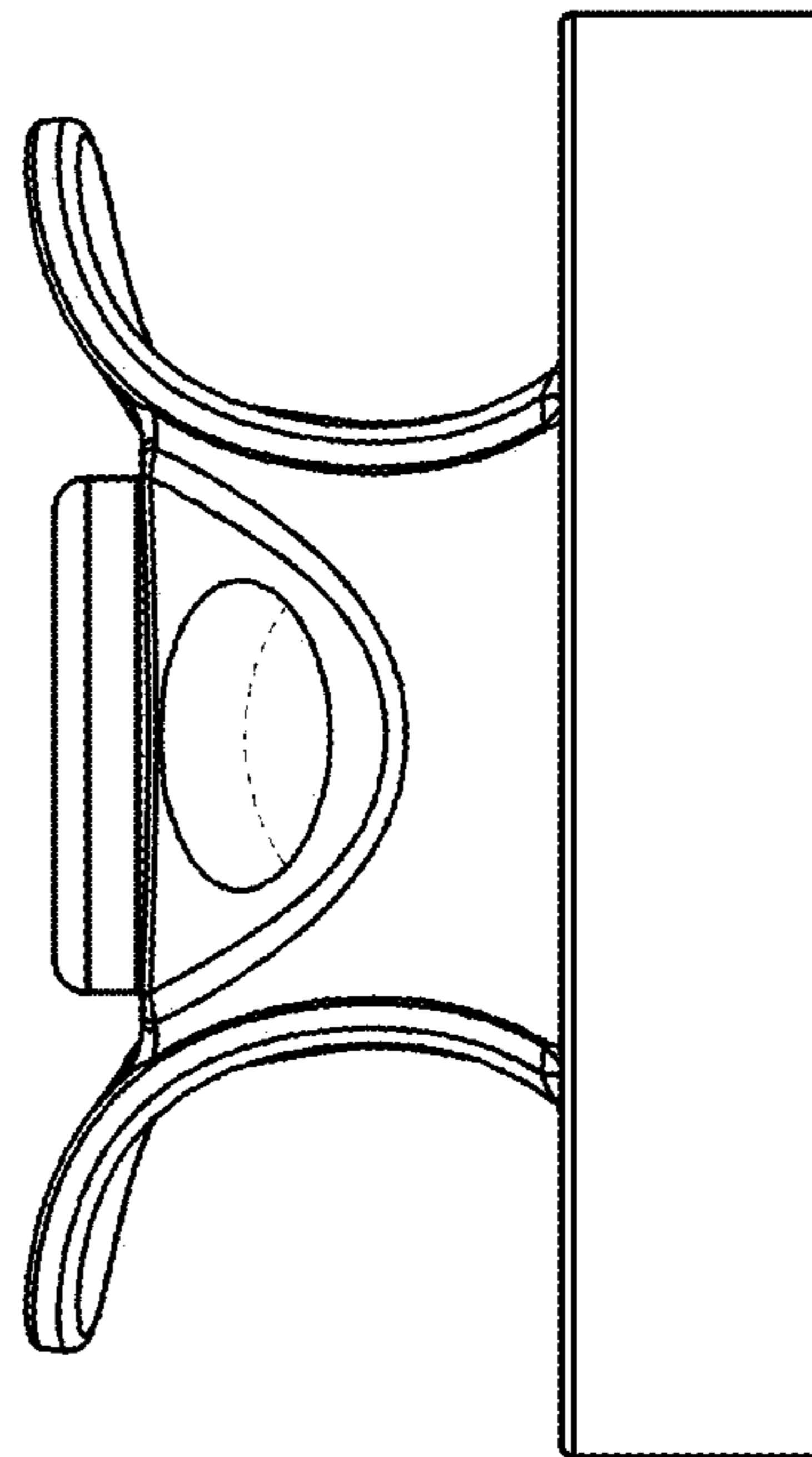


FIG. 4



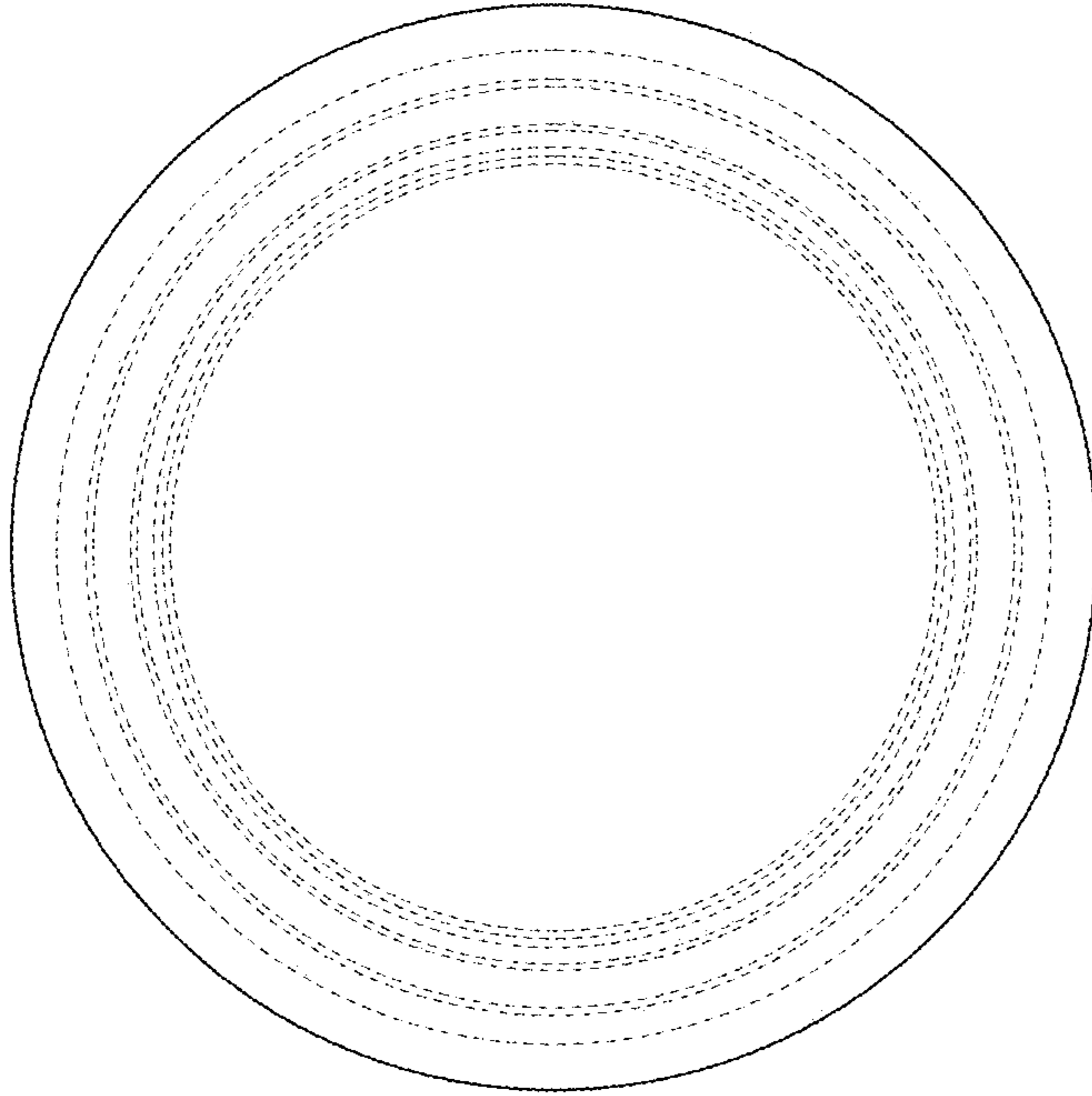


FIG. 6

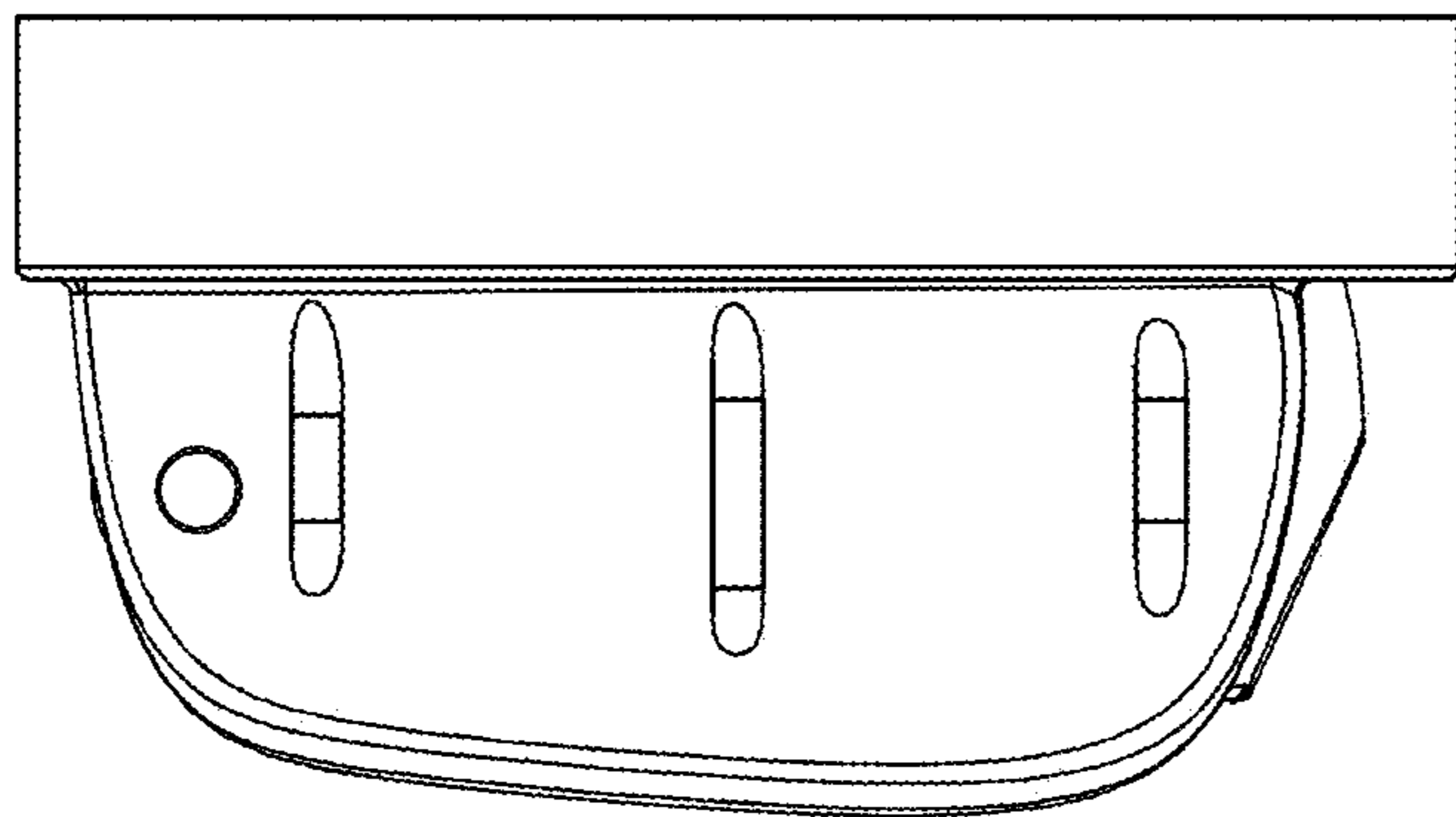


FIG. 5

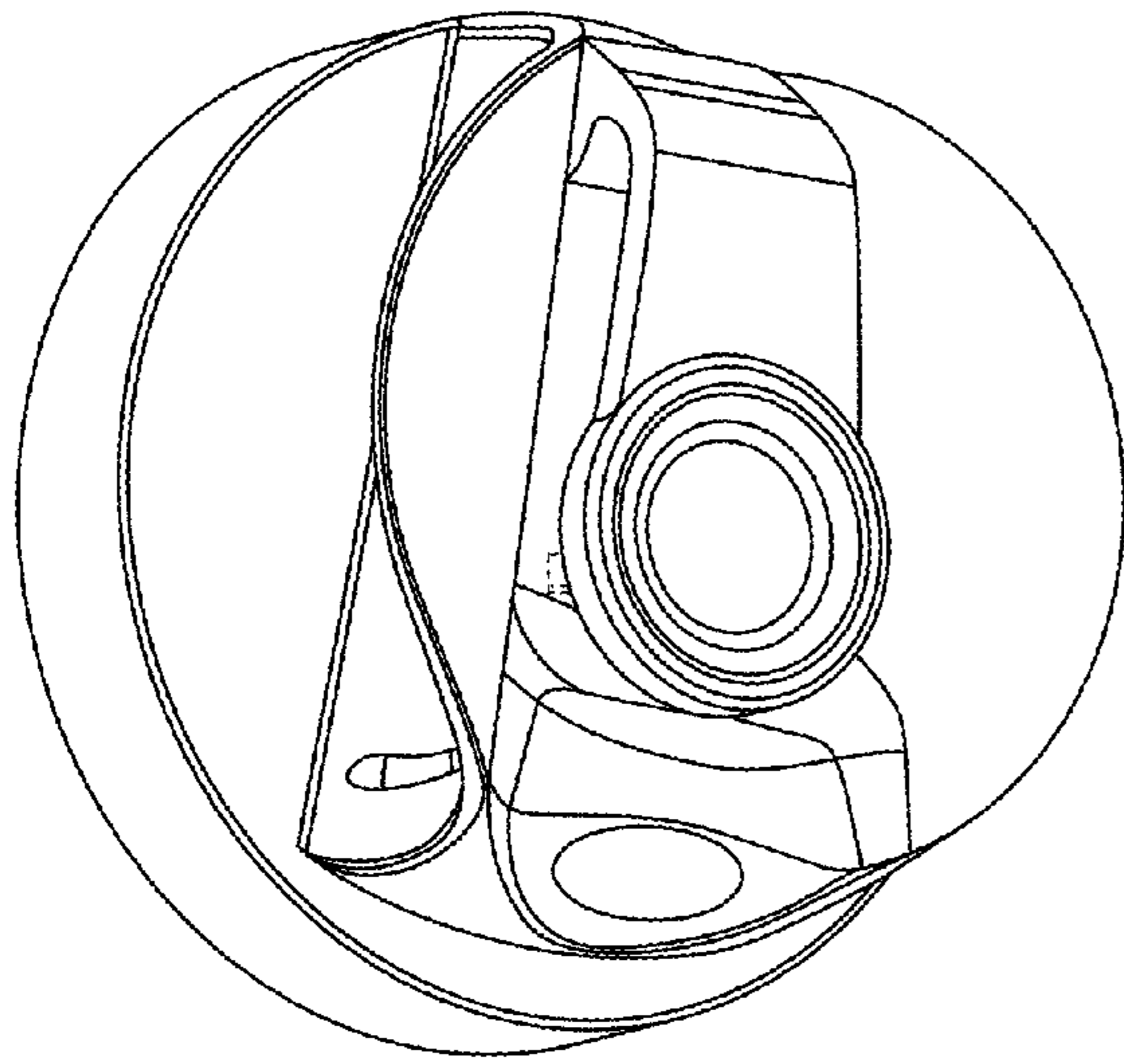


FIG. 7

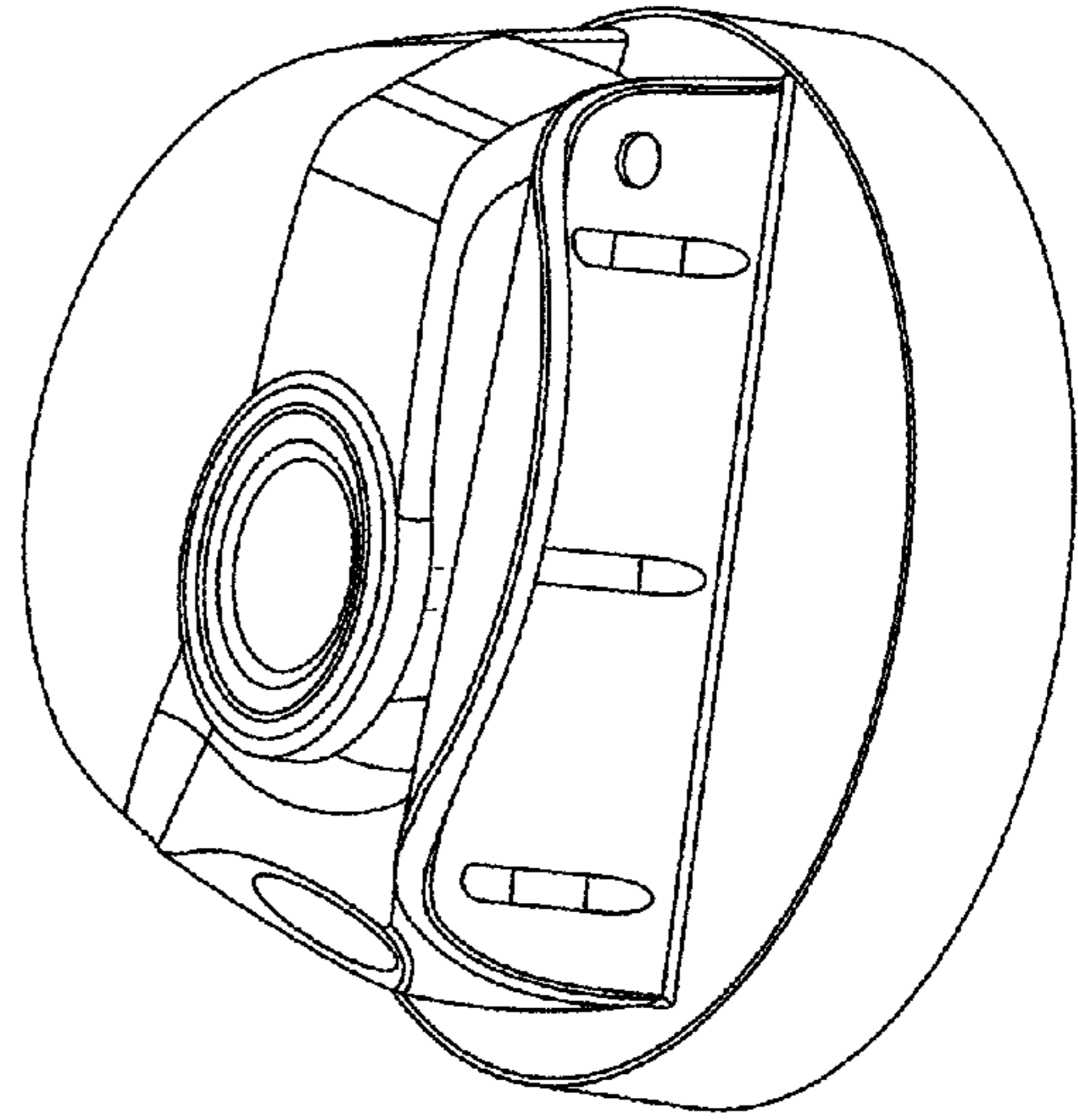


FIG. 8