



US00D897841S

(12) **United States Design Patent** (10) **Patent No.:** **US D897,841 S**  
**Samartgis** (45) **Date of Patent:** **\*\* \*Oct. 6, 2020**

(54) **CONTAINER LID**

(71) Applicant: **THE DECOR CORPORATION PTY LTD**, Scoresby, Vic (AU)

(72) Inventor: **Jim Samartgis**, Scoresby (AU)

(73) Assignee: **The Decor Corporation Pty, Ltd.**, Scoresby, Victoria (AU)

(\*) Notice: This patent is subject to a terminal disclaimer.

(\*\*) Term: **15 Years**

(21) Appl. No.: **29/609,346**

(22) Filed: **Jun. 29, 2017**

(30) **Foreign Application Priority Data**

Feb. 9, 2017 (AU) ..... 201710734  
Feb. 9, 2017 (AU) ..... 201710741

(51) **LOC (12) Cl.** ..... **09-07**

(52) **U.S. Cl.**  
USPC ..... **D9/443**; D7/392.1

(58) **Field of Classification Search**  
USPC ..... D3/304, 318, 319; D6/672, 675, 675.2, D6/682.3, 683; D7/354, 360, 387, 388, D7/391, 392.1, 396.1, 396.6, 403, 409, D7/510, 511, 538, 540, 542, 543, 544, D7/545, 550.1, 553.1, 553.2, 566, 568, D7/601, 602, 614, 615, 629, 701, 703, D7/705, 707, 708; D9/414, 416, 424, D9/425, 426, 427, 428, 430, 432, 433, D9/434, 435, 436, 452, 453, 454, 456, D9/601, 602, 701, 703, 707, 708, 715, D9/721, 732, 736, 756, 761, 780; D24/121, 123, 124, 227, 228  
CPC B65D 71/04; B65D 21/0212; B65D 21/0224; B65D 1/36; B65D 71/70; B65D 75/5855; B65D 43/16; B65D 43/18; B65D

(Continued)

(56) **References Cited**

U.S. PATENT DOCUMENTS

D425,363 S \* 5/2000 Loew ..... D7/392.1  
D506,132 S \* 6/2005 De-Vries ..... D9/430

(Continued)

FOREIGN PATENT DOCUMENTS

KR 20150069063 A \* 6/2015

OTHER PUBLICATIONS

Match Ups Clip Storage: Announced Apr. 12, 2018 [online]. Site Visited [Apr. 29, 2019]. Available from Internet URL: <https://www.decor.com.au/product/match-ups-clips-oblong-1l/>.

(Continued)

*Primary Examiner* — Catherine S Posthauer

(74) *Attorney, Agent, or Firm* — Kilpatrick Townsend & Stockton LLP

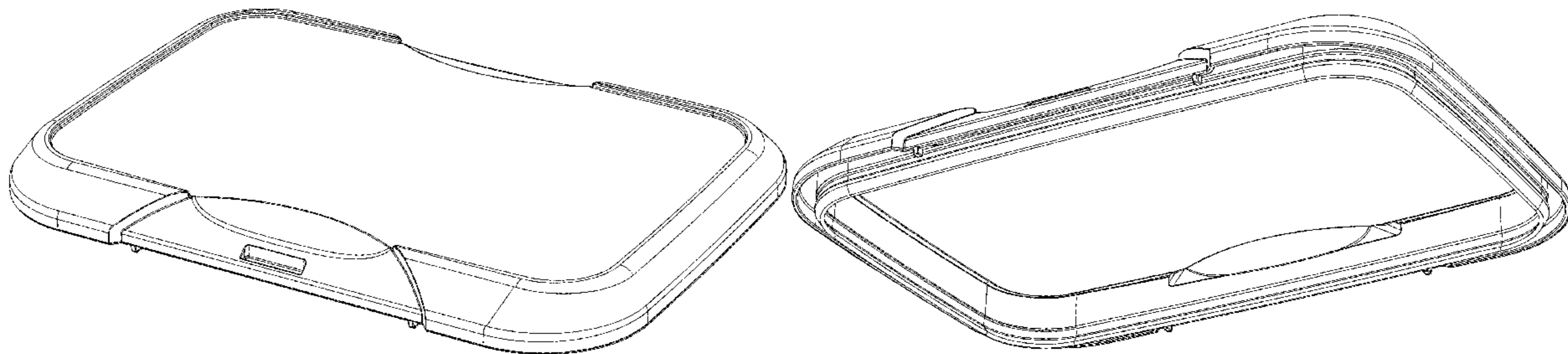
(57) **CLAIM**

The ornamental design for a container lid, as shown and described.

**DESCRIPTION**

FIG. 1 is a top, front perspective view of a container lid showing my new design;  
FIG. 2 is a bottom, rear perspective view thereof;  
FIG. 3 is a top plan view thereof;  
FIG. 4 is a bottom plan view thereof;  
FIG. 5 is a front elevational view thereof;  
FIG. 6 is a rear elevational view thereof;  
FIG. 7 is a left side elevational view thereof; and,  
FIG. 8 is a right side elevational view thereof.  
The broken lines are shown for the purpose of illustrating parts of the article that form no part of the claim. Shading lines shown in the drawings represent a three-dimensional contour of the design, and do not indicate surface decoration.

**1 Claim, 6 Drawing Sheets**



(58) **Field of Classification Search**

CPC ..... 65/42; B65D 65/461; B65D 5/04; B65D  
 5/105; B65D 5/5035; B65D 5/0004;  
 B65D 5/4212; B65D 5/503; B65B  
 11/045; B65B 31/028; B65B 11/52; E04F  
 19/02; E05F 5/06; A47F 7/281; G04D  
 1/0021; G04D 1/0071; G04D 1/066; A47J  
 37/10; E04B 2001/7691; B32B 3/12  
 See application file for complete search history.

D694,062 S \* 11/2013 Andres ..... D7/392.1  
 D750,424 S \* 3/2016 Shirley ..... D7/391  
 D751,336 S \* 3/2016 Cetti ..... D7/391  
 D760,075 S \* 6/2016 Irimia ..... D9/435  
 D805,835 S \* 12/2017 Yessin ..... D7/391  
 D811,813 S \* 3/2018 Sarnoff ..... D7/392.1  
 D837,590 S \* 1/2019 Samartgis ..... D7/392.1  
 D837,591 S \* 1/2019 Samartgis ..... D7/392.1  
 2015/0069063 A1\* 3/2015 Yang ..... B65D 43/0212  
 220/319  
 2015/0173573 A1\* 6/2015 Dunn ..... A47K 10/421  
 206/581  
 2017/0050798 A1\* 2/2017 Ludewig ..... B65D 85/54  
 2017/0107002 A1\* 4/2017 Crusius ..... B65D 25/36

(56) **References Cited**

U.S. PATENT DOCUMENTS

D642,049 S \* 7/2011 Samartgis ..... D9/435  
 D642,052 S \* 7/2011 Samartgis ..... D9/435  
 D642,053 S \* 7/2011 Samartgis ..... D9/435  
 D642,459 S \* 8/2011 Samartgis ..... D9/435  
 D642,460 S \* 8/2011 Samartgis ..... D9/435  
 D642,461 S \* 8/2011 Samartgis ..... D9/435  
 D642,462 S \* 8/2011 Samartgis ..... D9/435  
 D642,861 S \* 8/2011 Samartgis ..... D7/392.1

OTHER PUBLICATIONS

Fast Ed and Decor Match Ups with Clips: Announced Sep. 18, 2017  
 [online]. Site Visited [Apr. 29, 2019]. Available from Internet URL:  
<https://www.youtube.com/watch?v=Y3mgo6ABVwM>.\*

\* cited by examiner

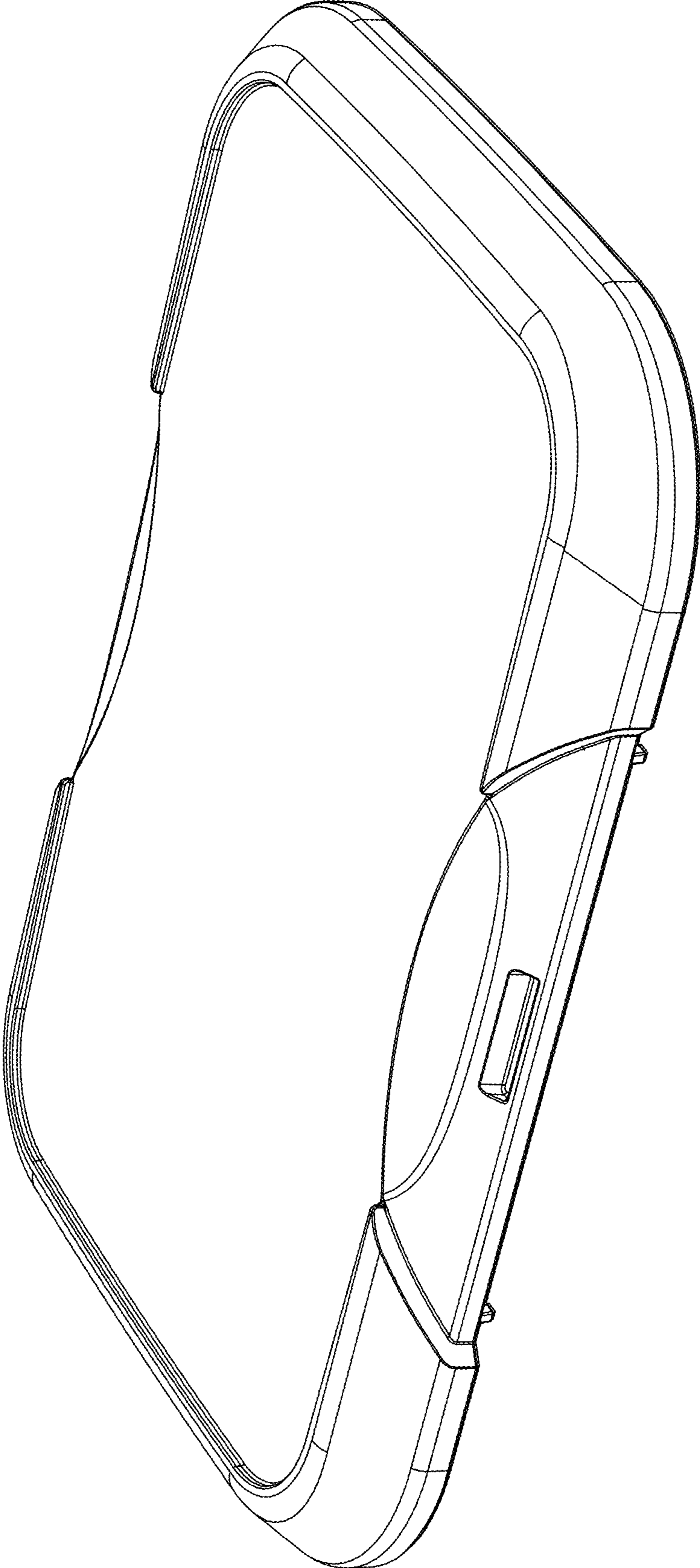


FIG. 1

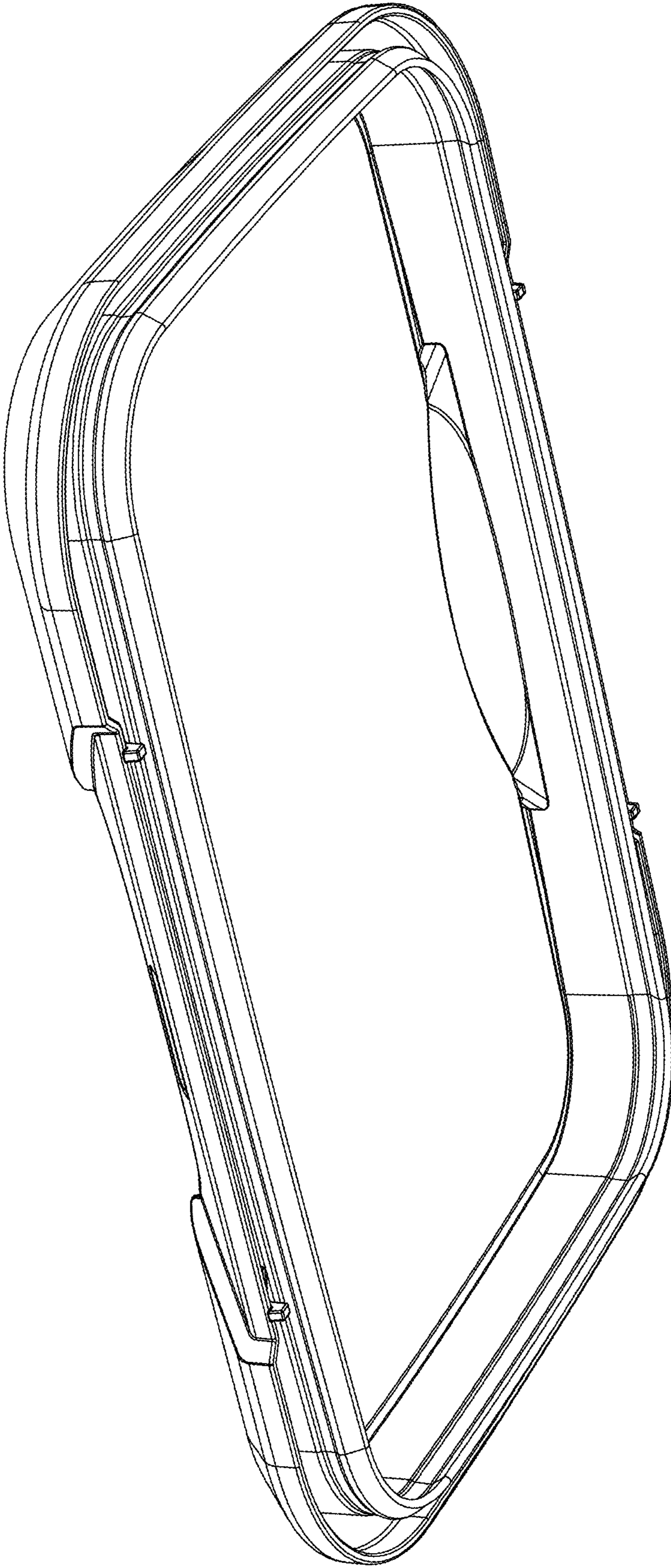
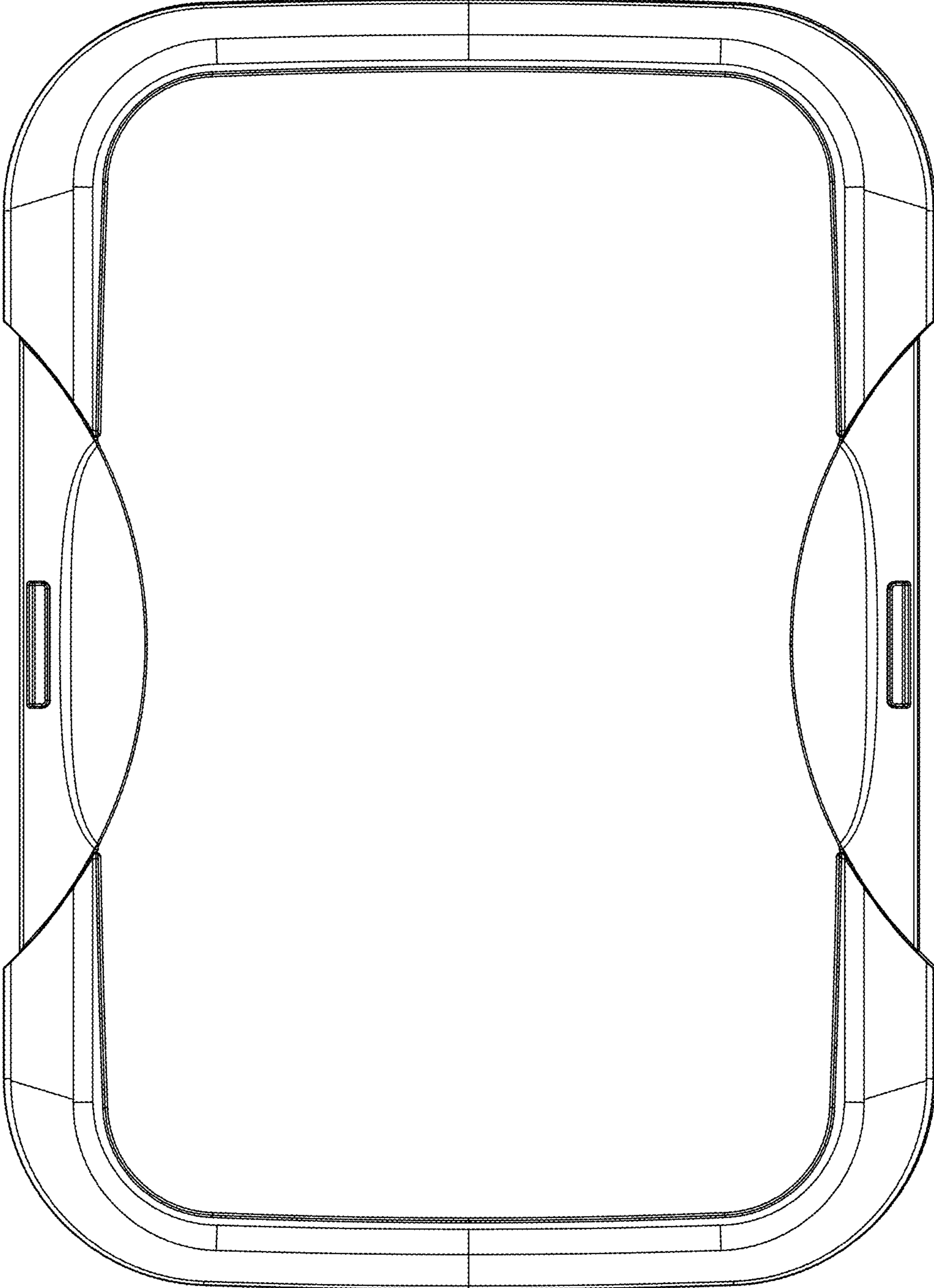
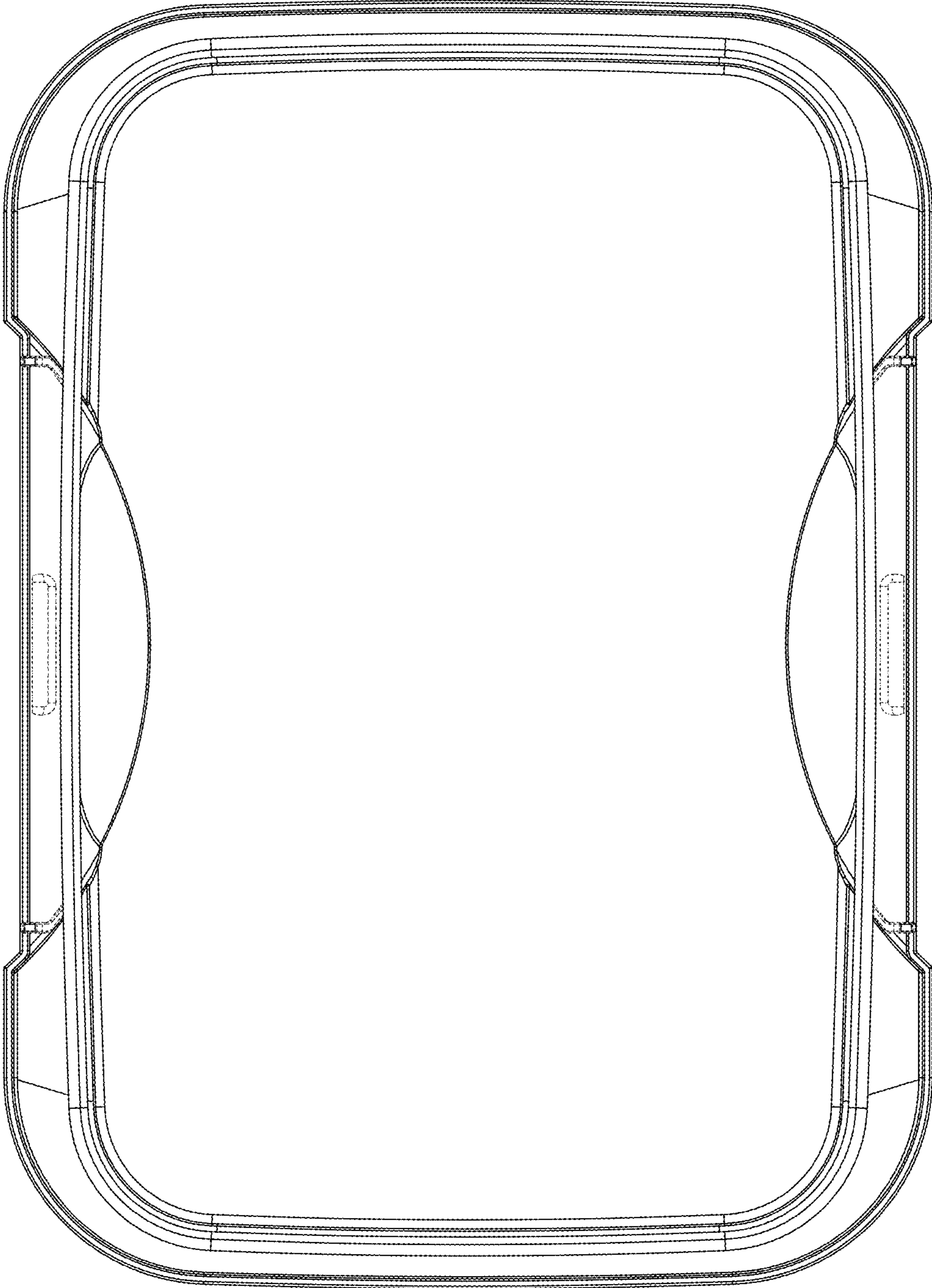


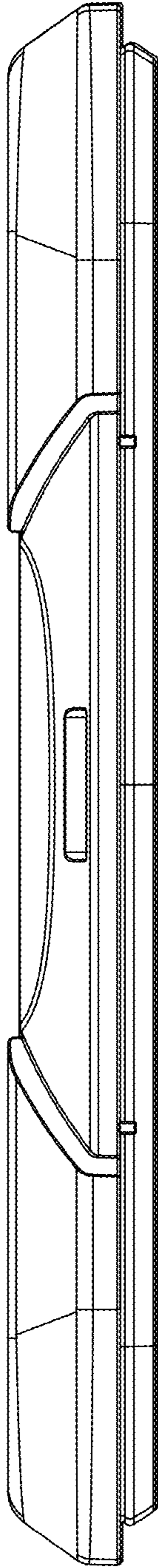
FIG. 2



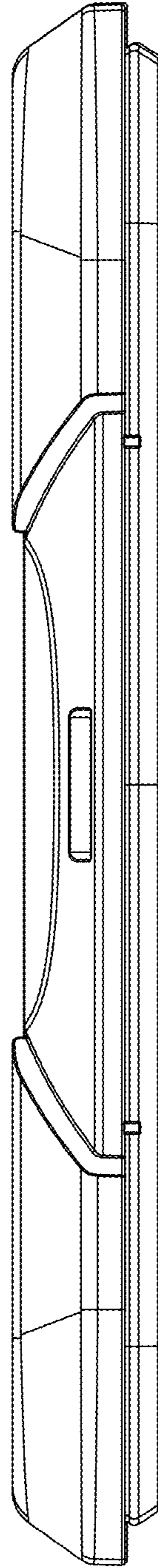
**FIG. 3**



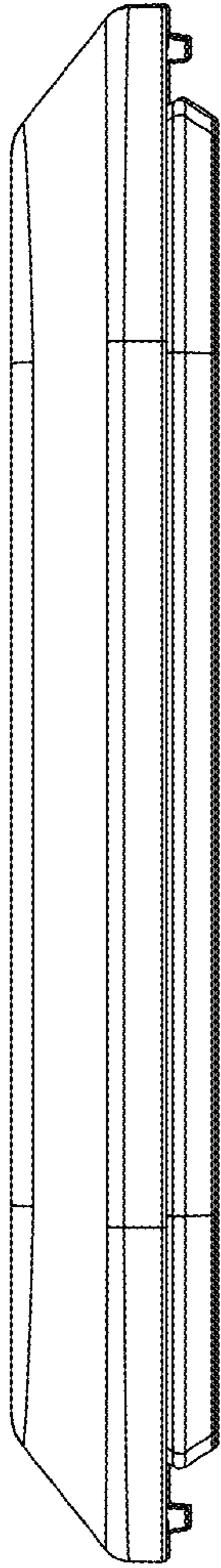
**FIG. 4**



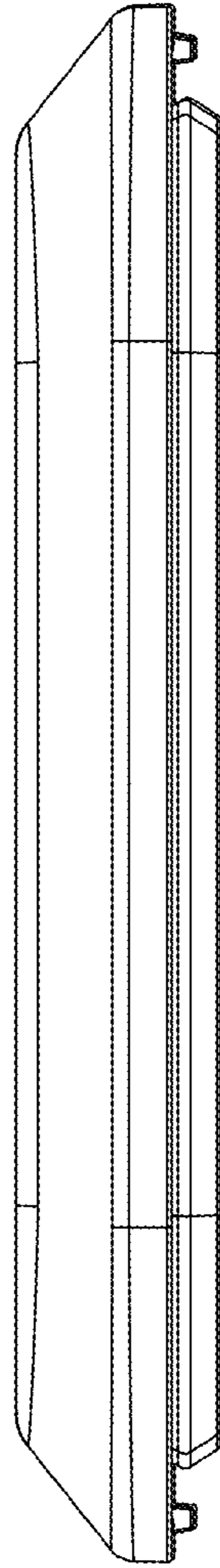
**FIG. 5**



**FIG. 6**



**FIG. 7**



**FIG. 8**