



US00D897840S

(12) **United States Design Patent** (10) **Patent No.:** **US D897,840 S**  
**Ou** (45) **Date of Patent:** **\*\* Oct. 6, 2020**

(54) **GLASS TIP**

B65D 2543/00046; B65D 2543/00092;  
B65D 2543/00296; B65D 2585/56; B65D  
2585/545

(71) Applicant: **Pacific Vial Mfg., Inc.**, Commerce, CA  
(US)

See application file for complete search history.

(72) Inventor: **Suk Hwan Ou**, Commerce, CA (US)

(56)

**References Cited**

(73) Assignee: **PACIFIC VIAL MFG., INC.**,  
Commerce, CA (US)

U.S. PATENT DOCUMENTS

(\*\*) Term: **15 Years**

(21) Appl. No.: **29/682,976**

(22) Filed: **Mar. 8, 2019**

D55,452	S	*	6/1920	Chase	.....	D24/188
5,599,567	A	*	2/1997	Gellert	.....	B29C 45/7312 264/328.16
D383,672	S	*	9/1997	Mangos	.....	D9/444
D445,024	S	*	7/2001	Breidenbach	.....	D9/504
D447,949	S	*	9/2001	Richardson	.....	D9/445
D459,226	S	*	6/2002	Guarnieri	.....	D9/444
D492,772	S	*	7/2004	Austin	.....	D24/110
D509,134	S	*	9/2005	Maeno	.....	D9/434
D560,969	S	*	2/2008	Mansfield	.....	D7/509
D604,009	S	*	11/2009	Borden	.....	D27/163
D608,885	S	*	1/2010	Sneddon	.....	D24/127
D652,571	S	*	1/2012	Shenassa	.....	D27/163
D702,834	S	*	4/2014	Norton	.....	D24/130
D709,370	S	*	7/2014	Van Hoof	.....	D9/445

(Continued)

**Related U.S. Application Data**

(60) Continuation-in-part of application No. 15/593,242,  
filed on May 11, 2017, now Pat. No. 10,492,525,  
which is a division of application No. 15/417,010,  
filed on Jan. 26, 2017, now Pat. No. 10,602,772,  
which is a continuation of application No.  
15/003,442, filed on Jan. 21, 2016, now Pat. No.  
10,512,281.

*Primary Examiner* — Wendy L Arminio

(74) *Attorney, Agent, or Firm* — Womble Bond Dickinson  
(US) LLP

(51) **LOC (12) Cl.** ..... **09-07**

(52) **U.S. Cl.**

USPC ..... **D9/434**; D27/167

(57)

**CLAIM**

The ornamental design for a glass tip, as shown and  
described.

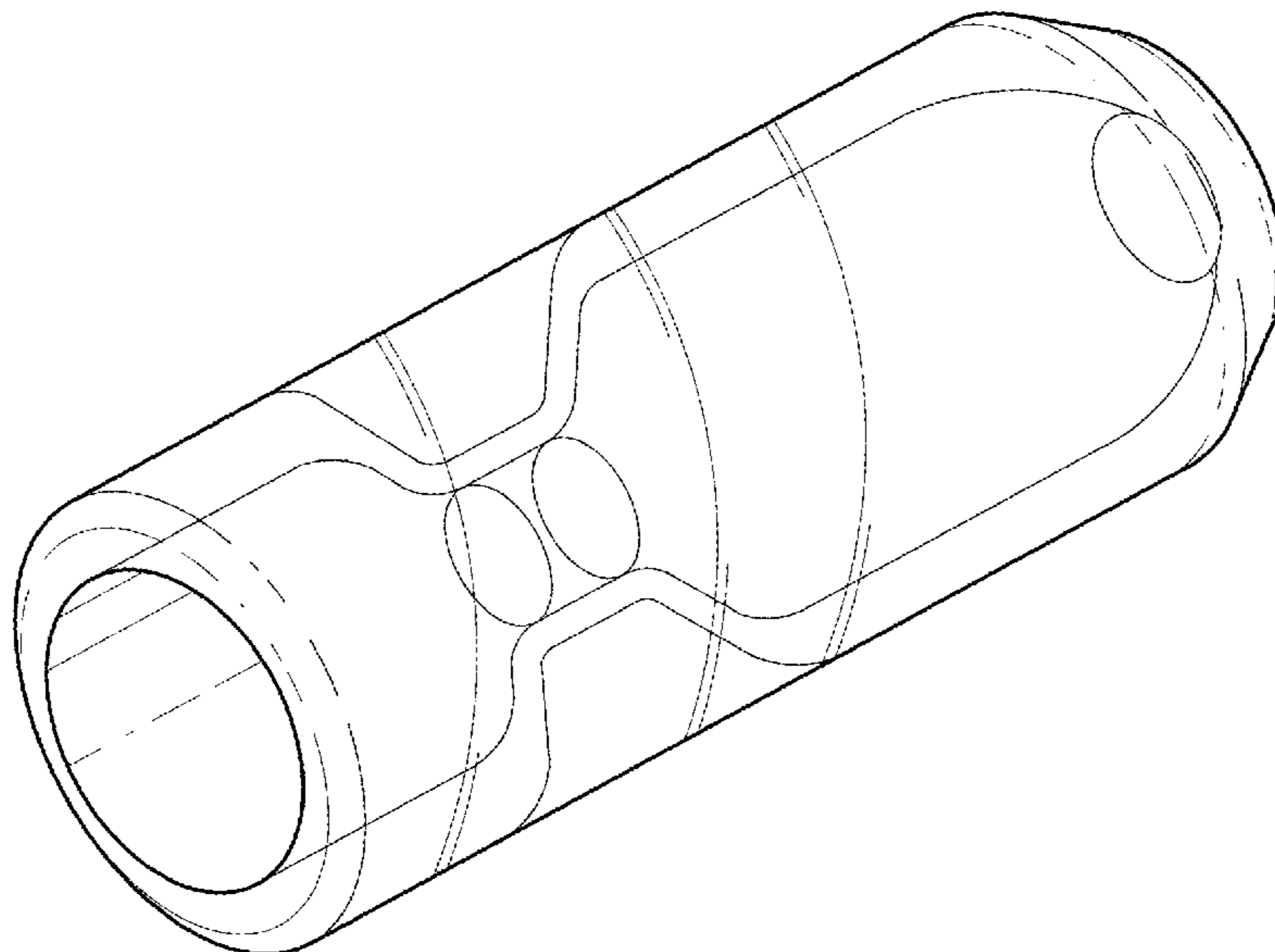
(58) **Field of Classification Search**

USPC ..... D9/414, 415, 432, 434, 435, 443–453,  
D9/455–457, 499, 503, 504, 682, 685,  
D9/686; D7/387, 391, 392, 392.1, 394,  
D7/396.1–396.4, 506, 507, 509–511, 538,  
D7/900; D3/202, 203.2, 294, 318;  
D28/91, 91.1; D27/100, 102, 103, 163,  
D27/167, 169, 172, 180, 193; D24/224  
CPC .. A61J 1/00; A61J 1/1412; B65D 1/00; B65D  
1/02; B65D 1/10; B65D 1/46; B65D  
5/46; B65D 41/00; B65D 41/38; B65D  
41/56; B65D 41/62; B65D 47/00; B65D  
47/06; B65D 47/08; B65D 2251/00;

**DESCRIPTION**

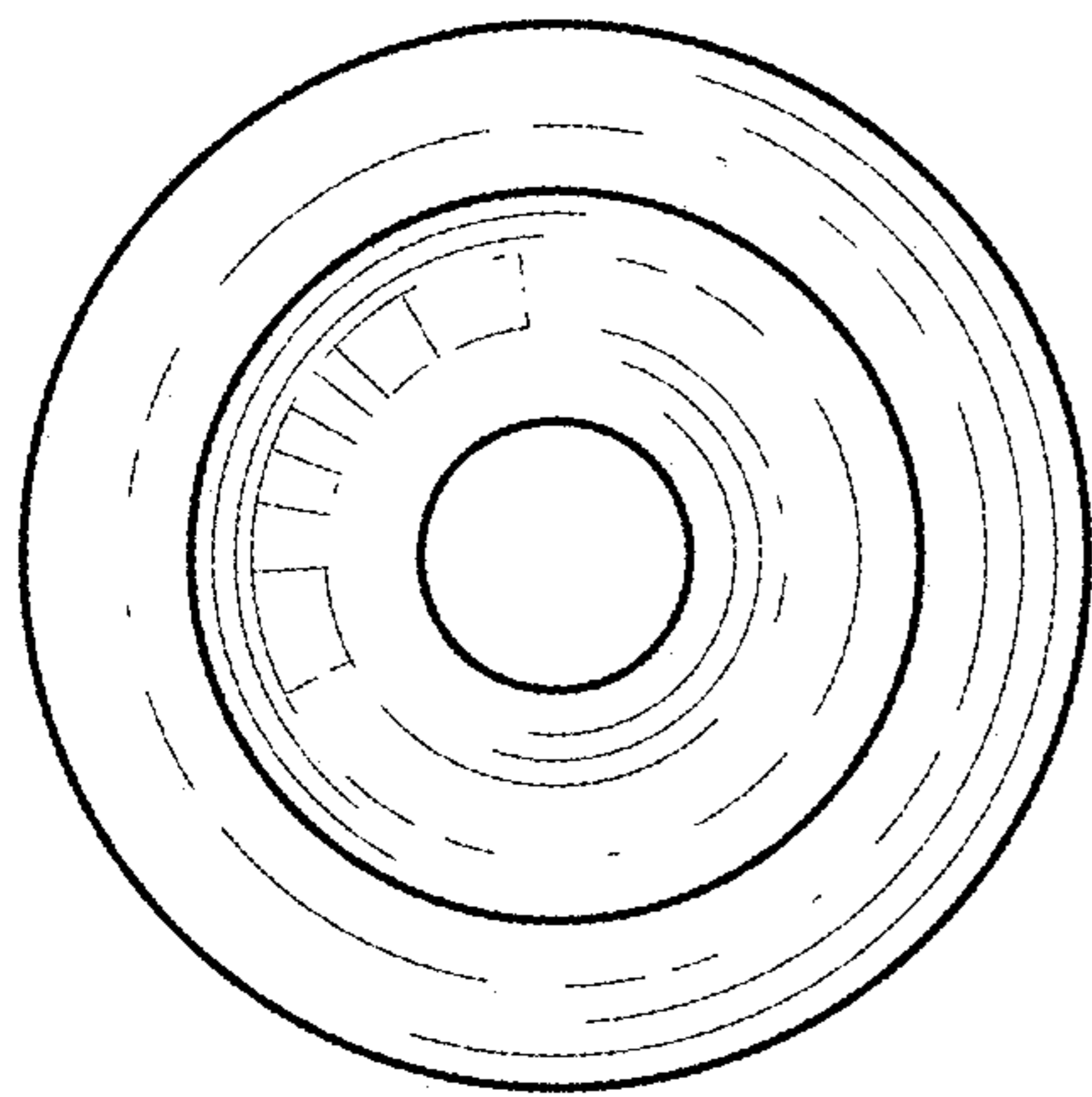
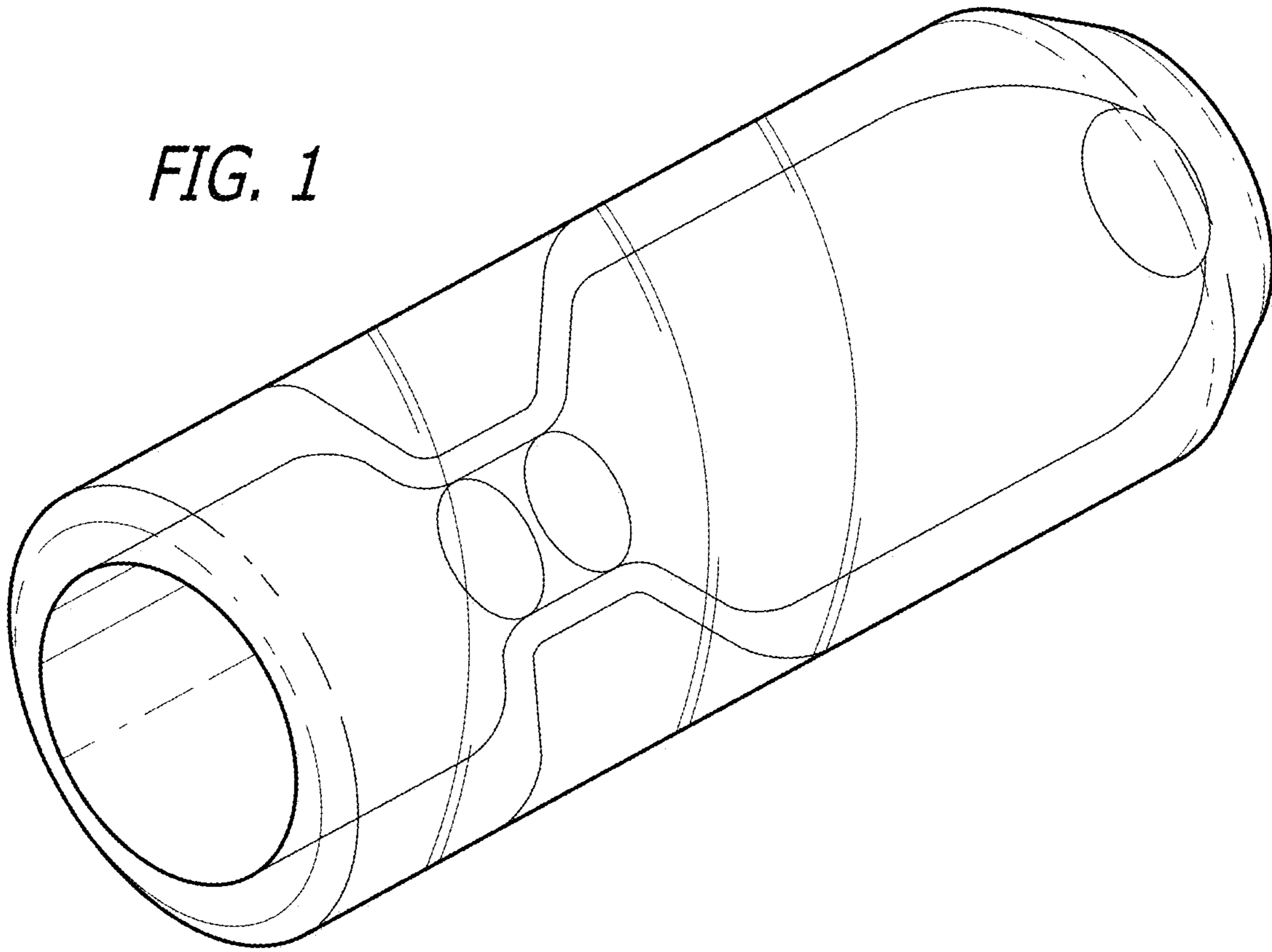
FIG. 1 is a front, side perspective view of my glass tip.  
FIG. 2 is a front elevation view thereof.  
FIG. 3 is a rear elevation view thereof.  
FIG. 4 is a top plan view thereof.  
FIG. 5 is a bottom plan view thereof.  
FIG. 6 is a side elevation view thereof; and,  
FIG. 7 is a side elevation view thereof from a side opposite  
to FIG. 6.

**1 Claim, 3 Drawing Sheets**

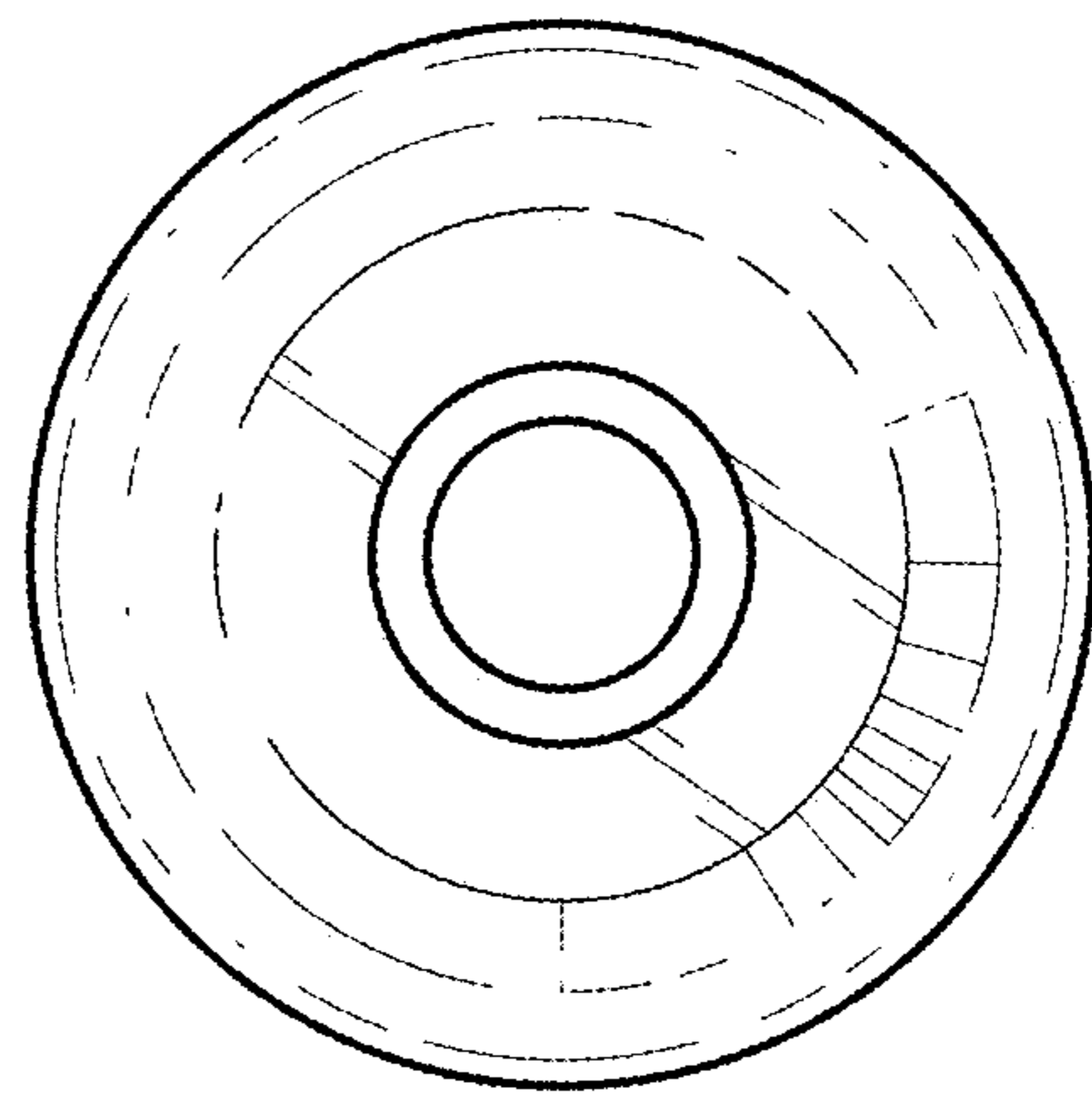




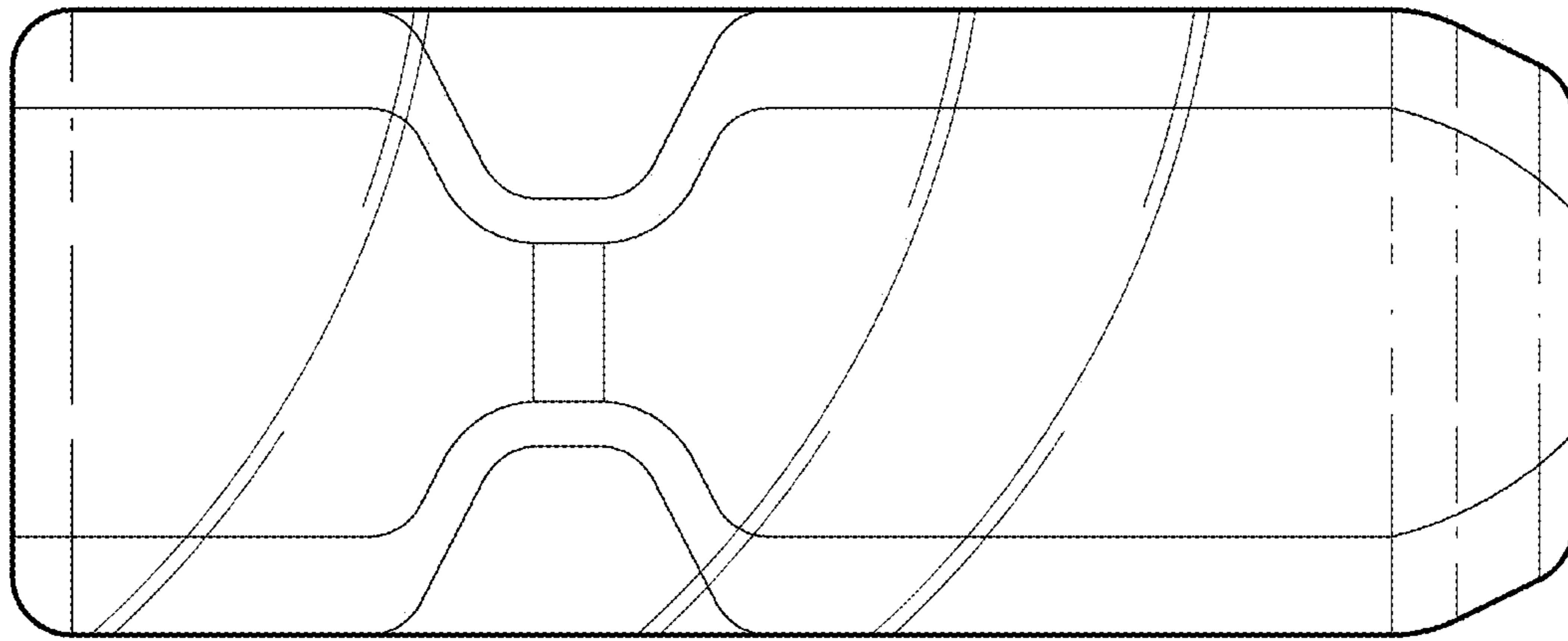
*FIG. 1*



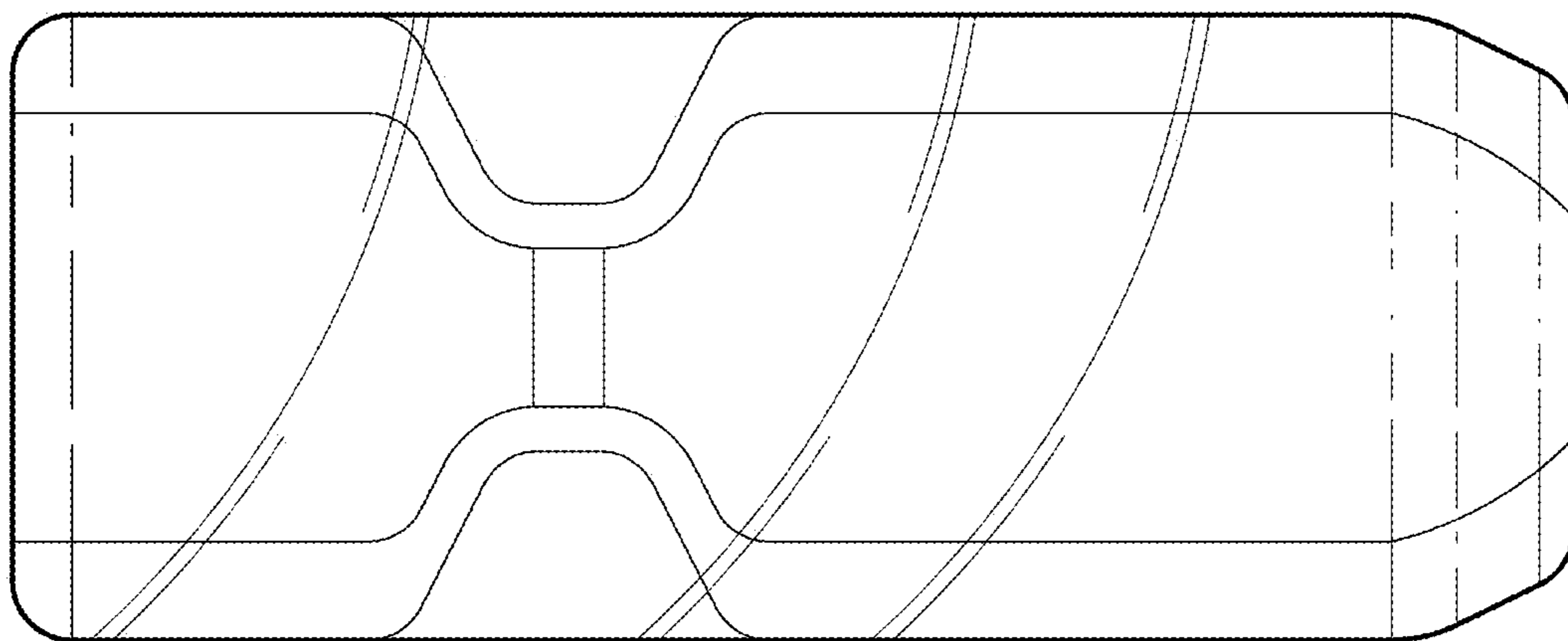
*FIG. 2*



*FIG. 3*

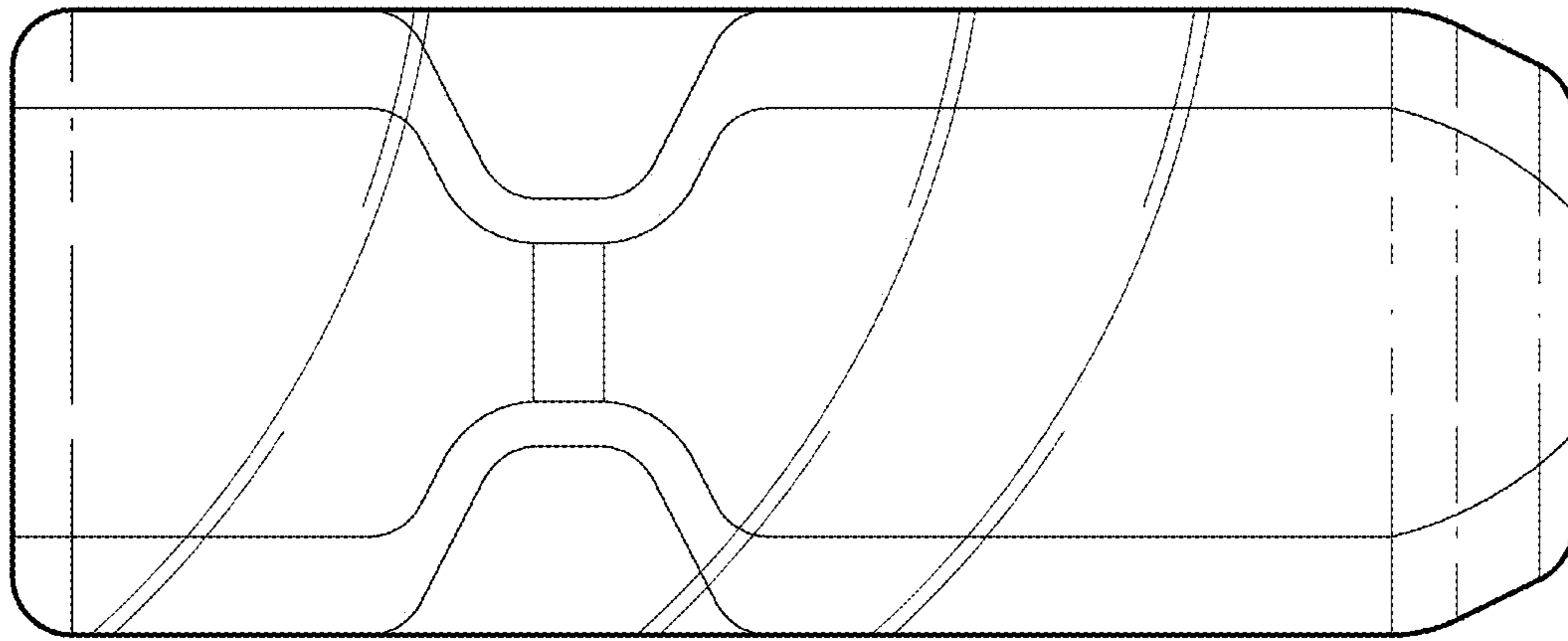


*FIG. 4*

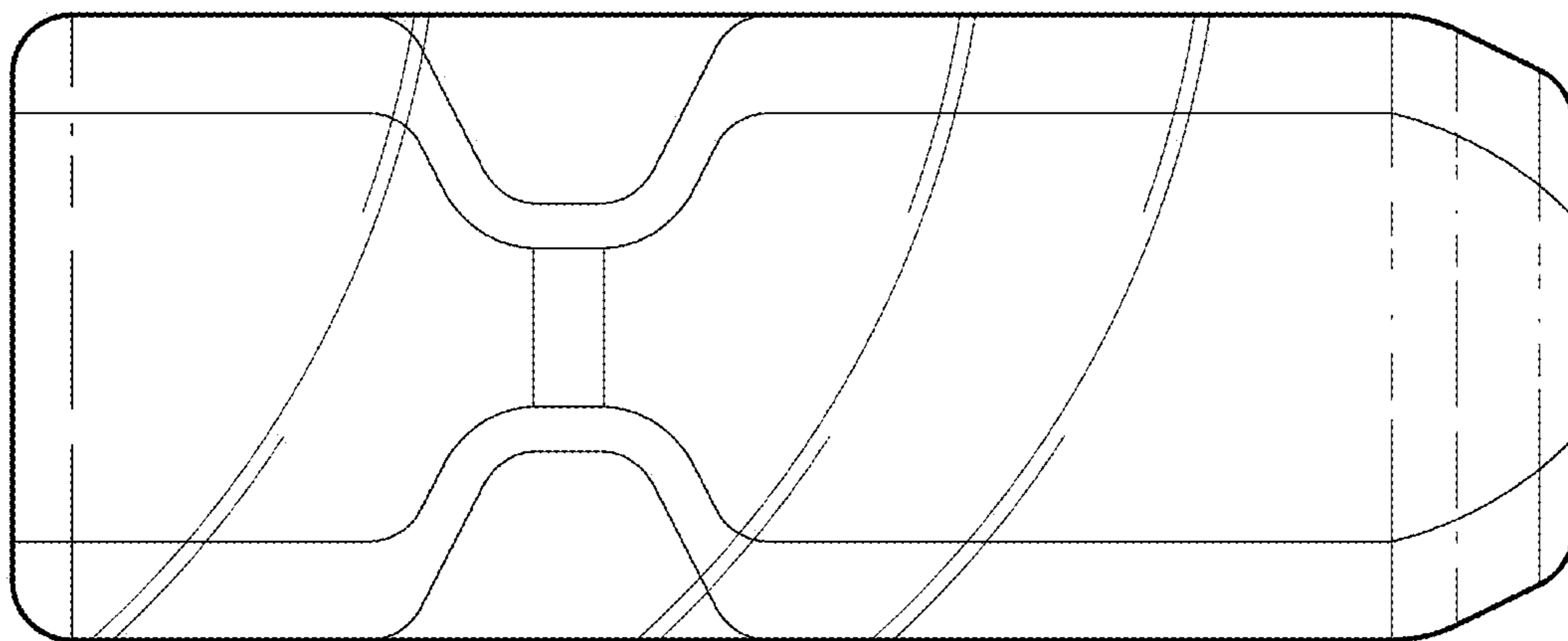


*FIG. 5*





*FIG. 6*



*FIG. 7*