



US00D897838S

(12) **United States Design Patent**  
**Kenworthy et al.**

(10) **Patent No.:** **US D897,838 S**

(45) **Date of Patent:** **\*\* Oct. 6, 2020**

- (54) **BOX**
- (71) Applicant: **Reckitt Benckiser Health Limited**,  
Slough (GB)
- (72) Inventors: **Thomas Kenworthy**, Slough (GB);  
**Michael Poynter**, Swindon (GB); **Paul Scott**, Slough (GB)
- (73) Assignee: **RECKITT BENCKISER HEALTH LIMITED**, Slough (GB)
- (\*\*) Term: **15 Years**
- (21) Appl. No.: **29/687,793**
- (22) Filed: **Apr. 16, 2019**
- (30) **Foreign Application Priority Data**

2,046,484	A *	7/1936	Ringler .....	B65D 5/5495 206/256
2,100,644	A *	11/1937	Groves .....	B65D 5/6673 229/125.37
D143,717	S *	2/1946	Dubiner .....	D9/759
3,253,770	A *	5/1966	Black .....	B65D 5/0245 206/424
4,034,908	A *	7/1977	Forbes, Jr. ....	B65D 5/5016 229/120.08
D248,451	S *	7/1978	Freed .....	D9/759
D351,104	S *	10/1994	Kapp .....	D9/423
D433,630	S *	11/2000	Lubineau-Bigot .....	D9/416
D730,728	S *	6/2015	Fath .....	D9/432
D811,005	S *	2/2018	Fath .....	D27/189
D814,925	S *	4/2018	Davidson .....	D9/430
D820,080	S *	6/2018	Kase .....	D9/420
D824,777	S *	8/2018	Arnett, Jr. ....	B65D 5/5038 D9/600
D825,328	S *	8/2018	Simpson .....	D9/432
D837,070	S *	1/2019	Fukui .....	D9/756
D858,275	S *	9/2019	Martin .....	D9/432
D868,580	S *	12/2019	Martin .....	D9/432

(Continued)

Oct. 17, 2018 (EM) ..... 005800307-0003

- (51) **LOC (12) Cl.** ..... **09-03**
- (52) **U.S. Cl.**  
USPC ..... **D9/432; D9/423; D9/416**
- (58) **Field of Classification Search**  
USPC ..... D9/414-423, 430-433, 434, 456, 457,  
D9/600, 652, 667, 711, 713, 721-722,  
D9/737, 756, 758, 759, 760; D14/480,  
D14/489, 490; D20/10, 22, 27, 40, 42  
CPC ... B65D 5/00; B65D 5/02; B65D 5/18; B65D  
5/20  
See application file for complete search history.

(56) **References Cited**

**U.S. PATENT DOCUMENTS**

407,494	A *	7/1889	Schwartz .....	B65D 5/0254 229/152
1,787,498	A *	1/1931	Tinsley .....	B65D 5/5021 206/521

*Primary Examiner* — Vy N Koenig

(74) *Attorney, Agent, or Firm* — Troutman Pepper  
Hamilton Sanders LLP; Ryan Schneider; Chris N. Davis

(57) **CLAIM**

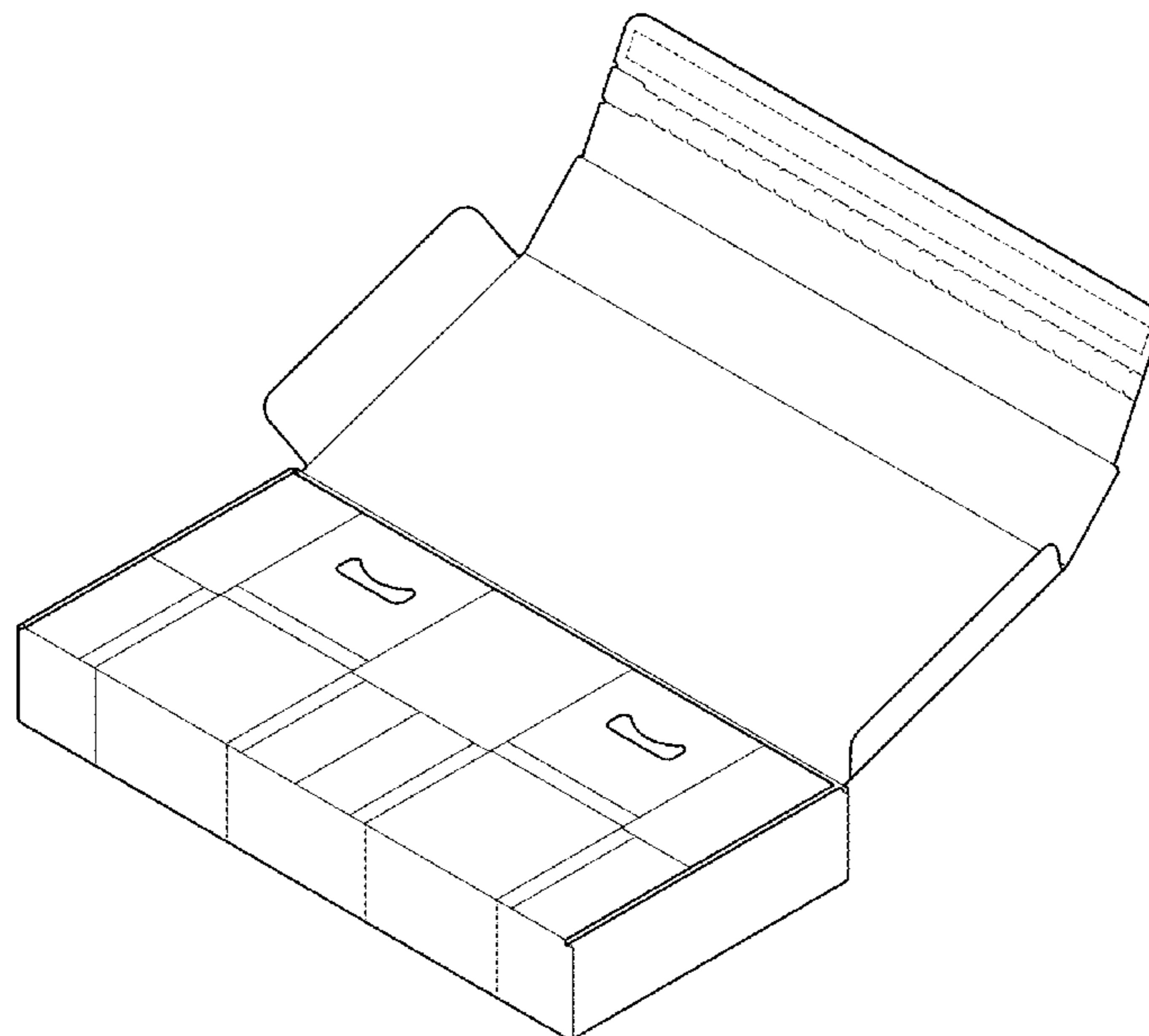
The ornamental design for a box, as shown and described.

**DESCRIPTION**

FIG. 1 is a perspective view of our new design for a box;  
FIG. 2 is a front view thereof;  
FIG. 3 is a right view thereof;  
FIG. 4 is a rear view thereof;  
FIG. 5 is a left view thereof;  
FIG. 6 is a top view thereof; and,  
FIG. 7 is a bottom view thereof.

The broken lines are included for the purpose of illustrating a portion of the box that forms no part of the claimed design.

**1 Claim, 7 Drawing Sheets**



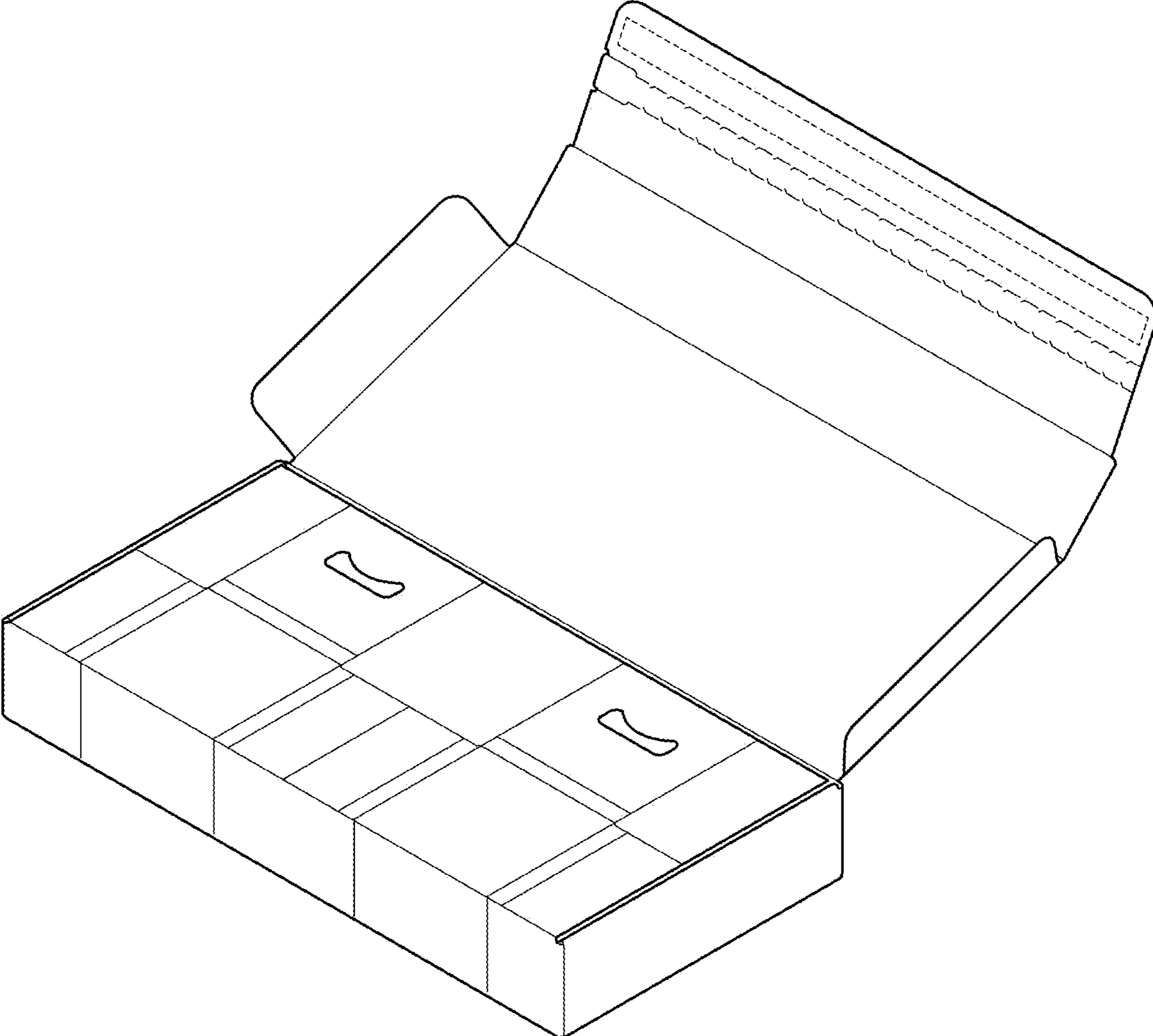
(56)

**References Cited**

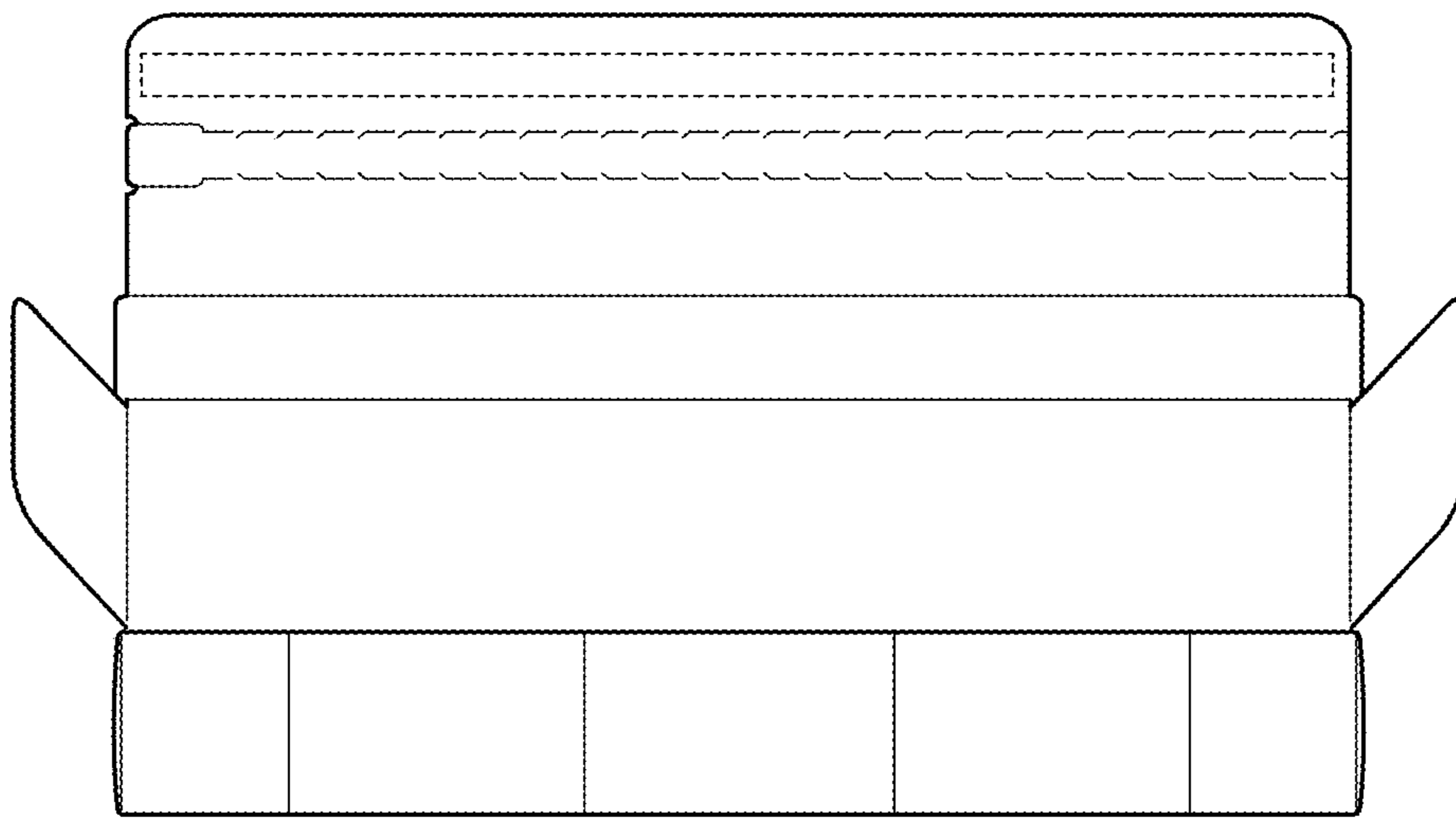
U.S. PATENT DOCUMENTS

D873,676 S \* 1/2020 Weston ..... B65D 5/6655  
D9/756  
D876,219 S \* 2/2020 Martin ..... D9/432  
2014/0312109 A1\* 10/2014 Weston ..... B65D 5/6655  
229/120.08

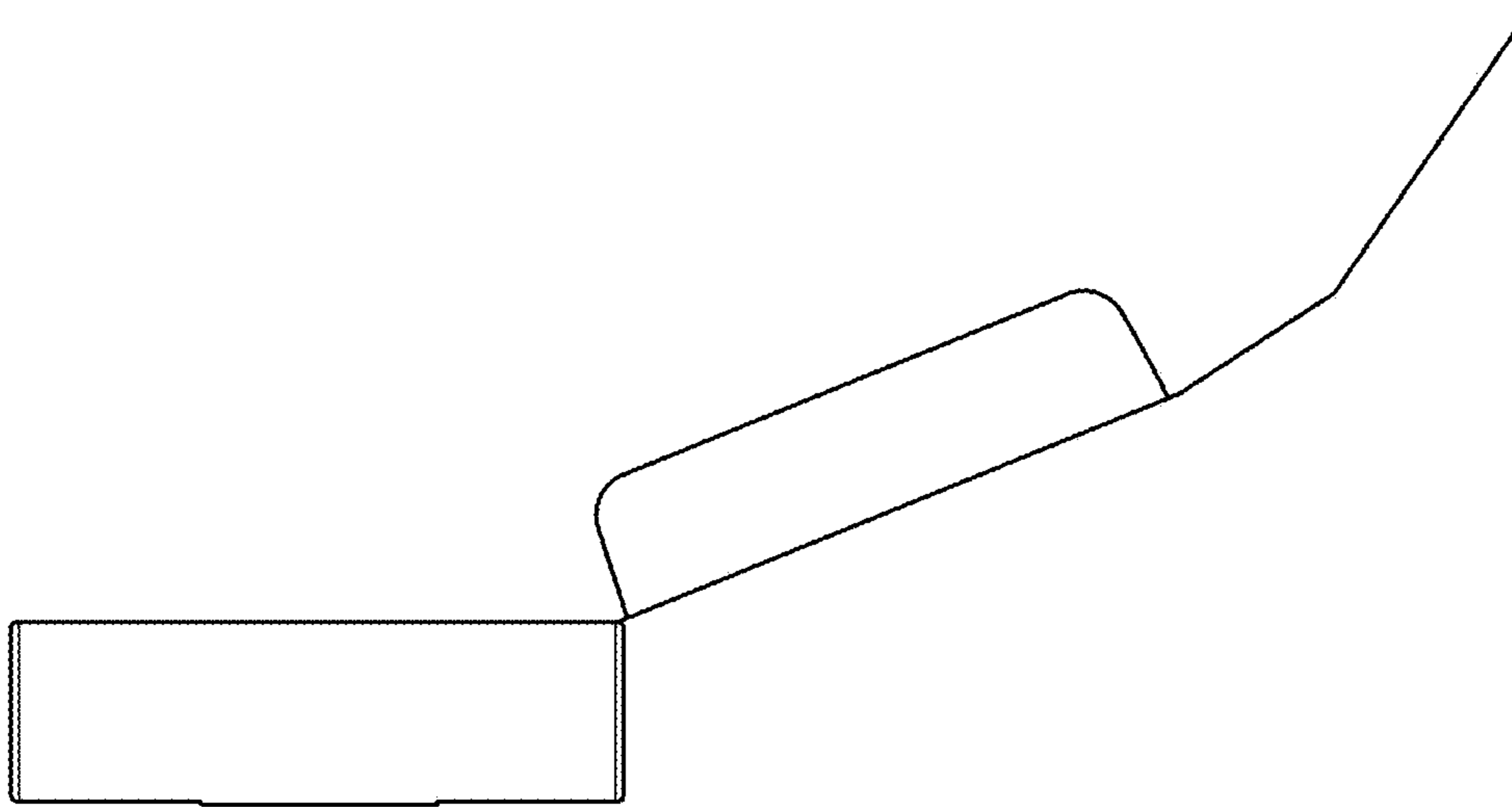
\* cited by examiner



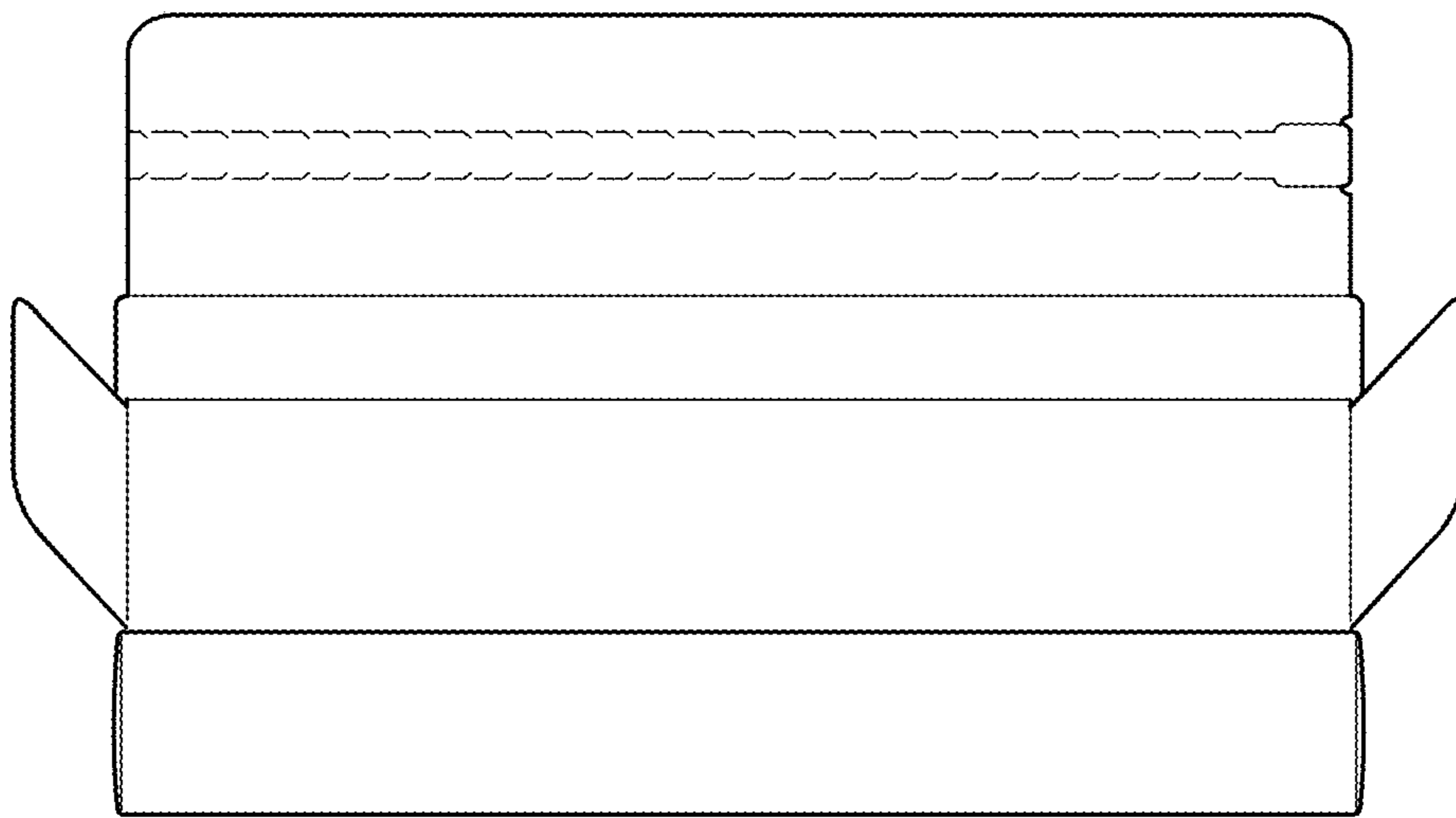
*Fig. 1*



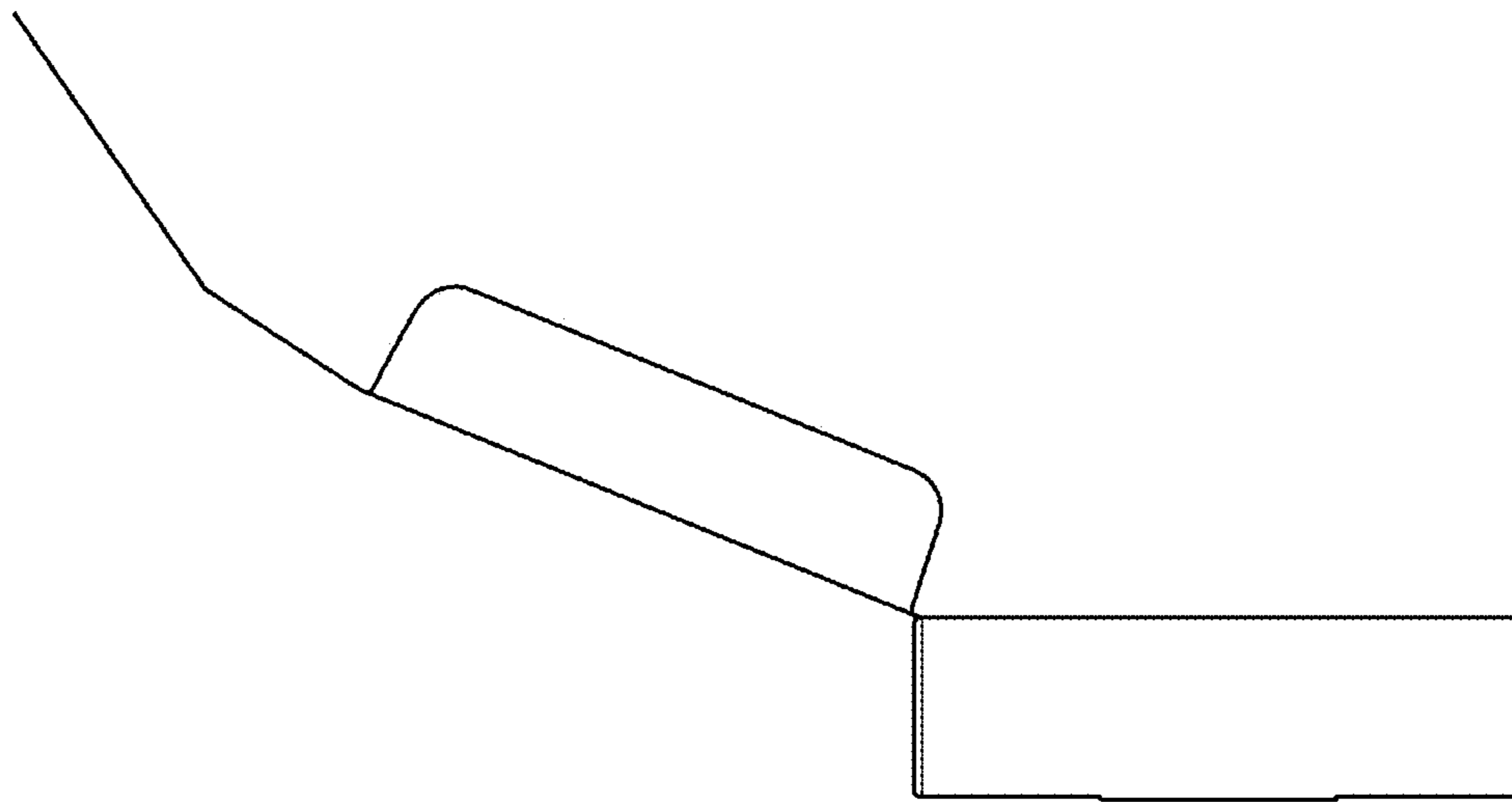
*Fig. 2*



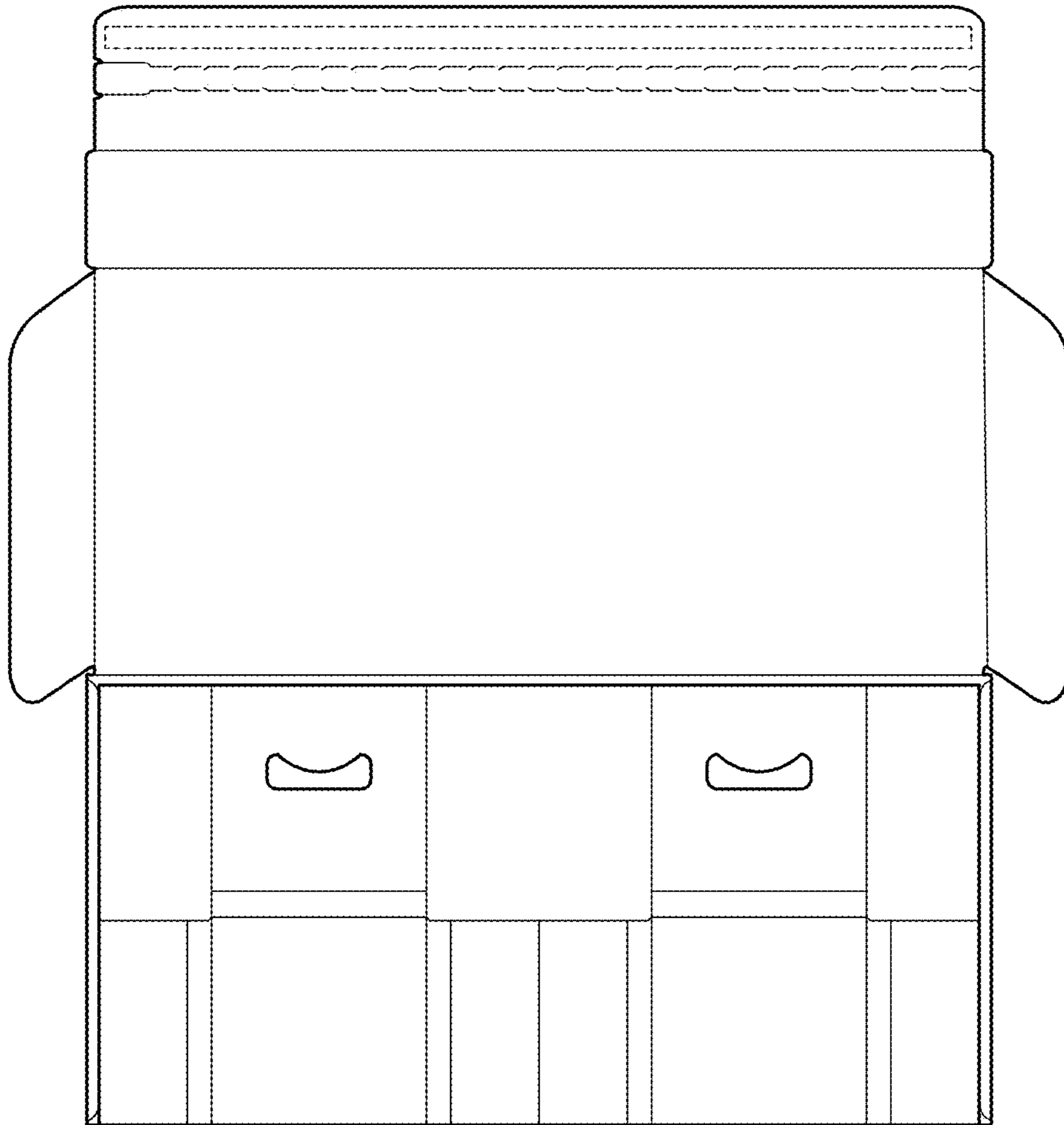
*Fig. 3*



*Fig. 4*

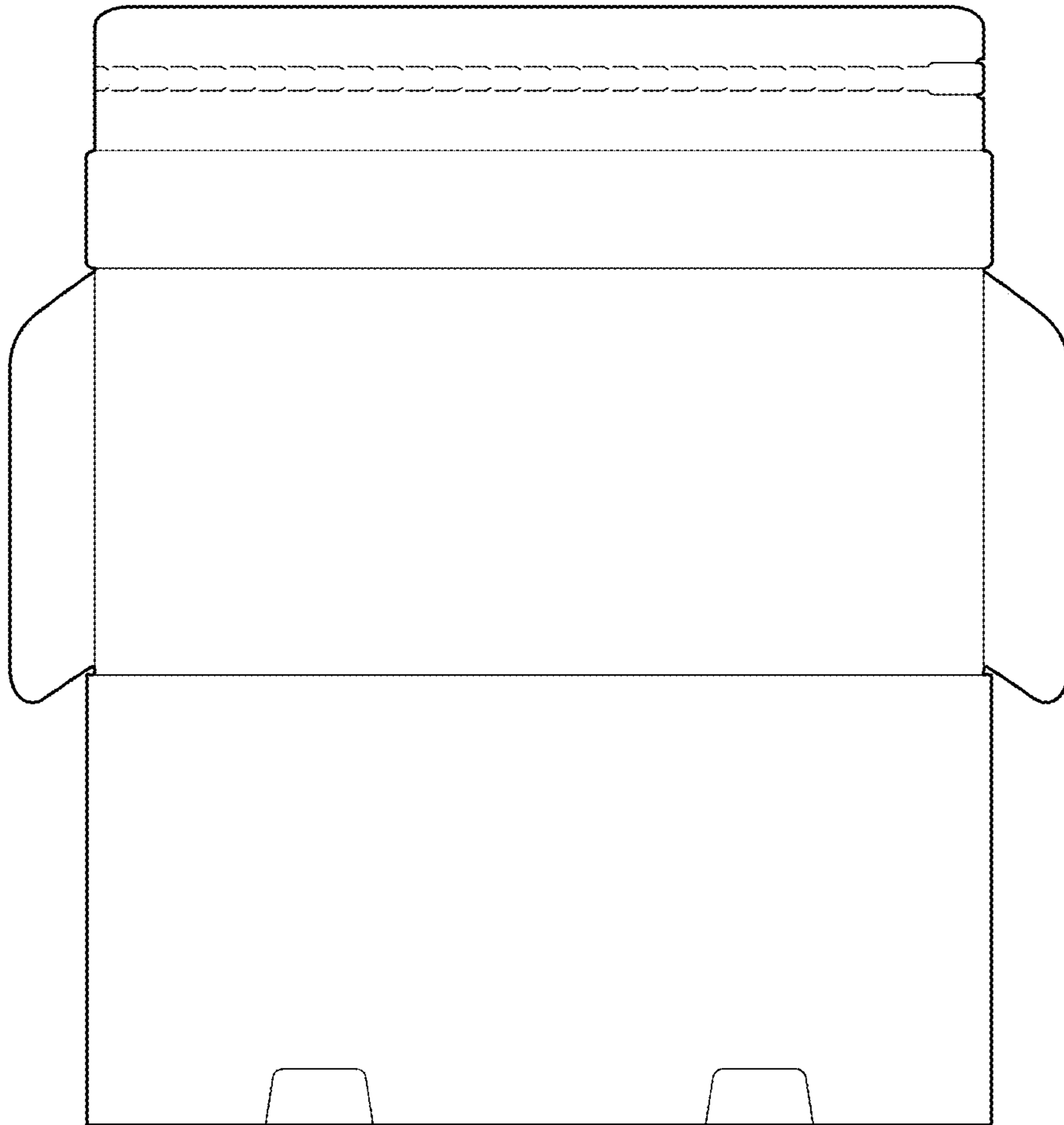


*Fig. 5*



*Fig. 6*





*Fig. 7*