



US00D897837S

(12) **United States Design Patent**
Kenworthy et al.

(10) **Patent No.:** **US D897,837 S**
(45) **Date of Patent:** **** Oct. 6, 2020**

(54) **BOX**
(71) Applicant: **Reckitt Benckiser Health Limited**,
Slough (GB)
(72) Inventors: **Thomas Kenworthy**, Slough (GB);
Michael Poynter, Swindon (GB); **Paul**
Scott, Slough (GB)
(73) Assignee: **RECKITT BENCKISER HEALTH**
LIMITED, Slough (GB)
(**) Term: **15 Years**
(21) Appl. No.: **29/687,791**
(22) Filed: **Apr. 16, 2019**
(30) **Foreign Application Priority Data**

2,046,484 A * 7/1936 Ringler B65D 5/5495
206/256
2,100,644 A * 11/1937 Groves B65D 5/6673
229/125.37
D143,717 S * 2/1946 Dubiner D9/759
3,253,770 A * 5/1966 Black B65D 5/0245
206/424
4,034,908 A * 7/1977 Forbes, Jr. B65D 5/5016
229/120.08
D248,451 S * 7/1978 Freed D9/759
D351,104 S * 10/1994 Kapp D9/423
D433,630 S * 11/2000 Lubineau-Bigot D9/416
D730,728 S * 6/2015 Fath D9/432
D811,005 S * 2/2018 Fath D27/189
D814,925 S * 4/2018 Davidson D9/430
D820,080 S * 6/2018 Kase D9/420
D824,777 S * 8/2018 Arnett, Jr. B65D 5/5038
D9/600
D825,328 S * 8/2018 Simpson D9/432
D837,070 S * 1/2019 Fukui D9/756
D858,275 S * 9/2019 Martin D9/432
D868,580 S * 12/2019 Martin D9/432

(Continued)

Oct. 17, 2018 (EM) 005800307-0002
(51) **LOC (12) Cl.** **09-03**
(52) **U.S. Cl.**
USPC **D9/432; D9/423; D9/416**
(58) **Field of Classification Search**
USPC D9/414-423, 430-433, 434, 456, 457,
D9/600, 652, 667, 711, 713, 721-722,
D9/737, 756, 758, 759, 760; D14/480,
D14/489, 490; D20/10, 22, 27, 40, 42
CPC ... B65D 5/00; B65D 5/02; B65D 5/18; B65D
5/20
See application file for complete search history.

Primary Examiner — Vy N Koenig
(74) *Attorney, Agent, or Firm* — Troutman Pepper
Hamilton Sanders LLP; Ryan Schneider; Chris N. Davis

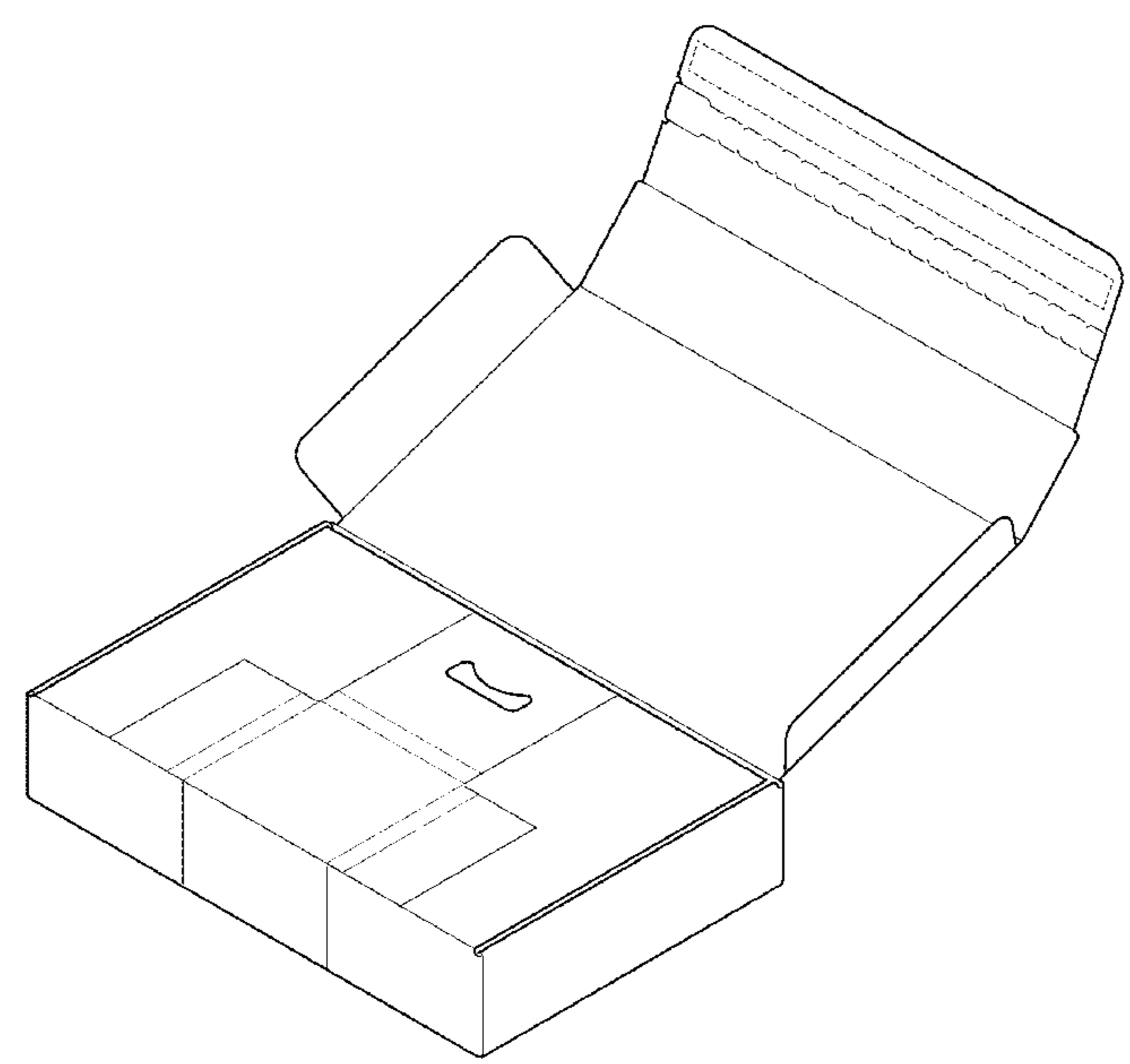
(57) **CLAIM**
The ornamental design for a box, as shown and described.

DESCRIPTION

FIG. 1 is a perspective view of our new design for a box;
FIG. 2 is a front view thereof;
FIG. 3 is a right view thereof;
FIG. 4 is a rear view thereof;
FIG. 5 is a left view thereof;
FIG. 6 is a top view thereof; and,
FIG. 7 is a bottom view thereof.
The broken lines are included for the purpose of illustrating
a portion of the box that forms no part of the claimed design.

1 Claim, 7 Drawing Sheets

(56) **References Cited**
U.S. PATENT DOCUMENTS
407,494 A * 7/1889 Schwartz B65D 5/0254
229/152
1,787,498 A * 1/1931 Tinsley B65D 5/5021
206/521



(56)

References Cited

U.S. PATENT DOCUMENTS

D873,676 S *	1/2020	Weston	B65D 5/6655
				D9/756
D876,219 S *	2/2020	Martin	D9/432
2014/0312109 A1 *	10/2014	Weston	B65D 5/6655
				229/120.08

* cited by examiner

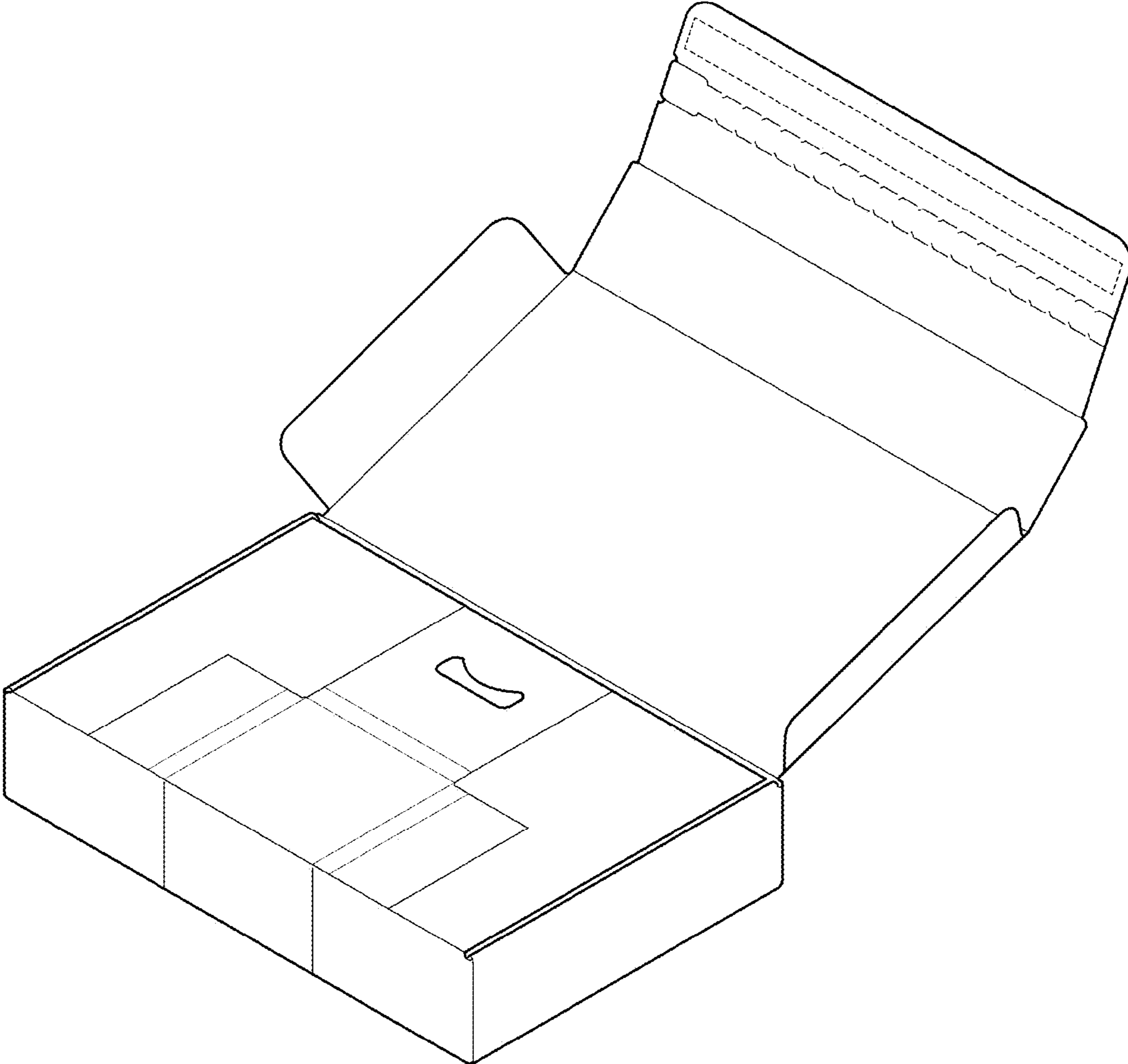


Fig. 1

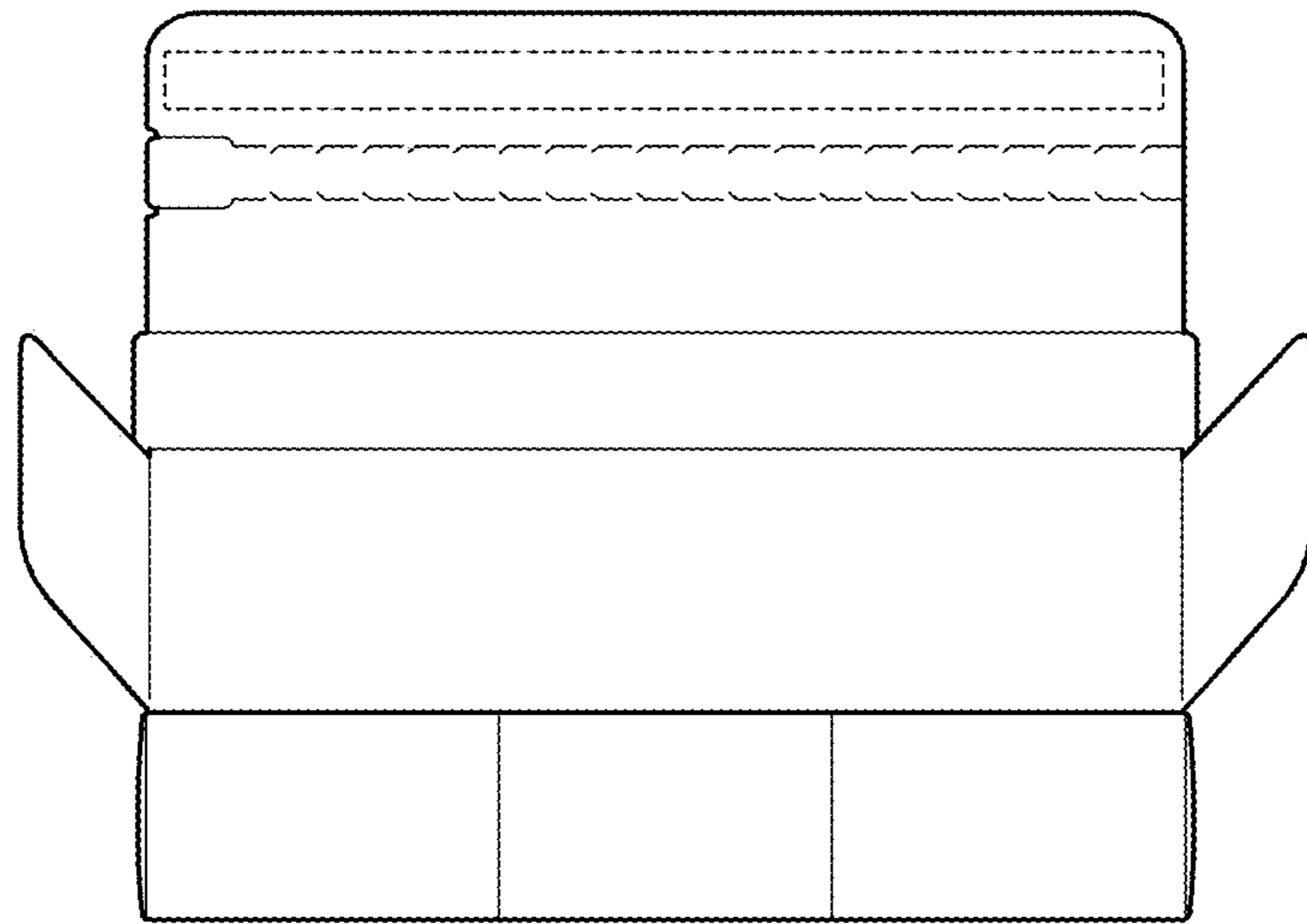


Fig. 2

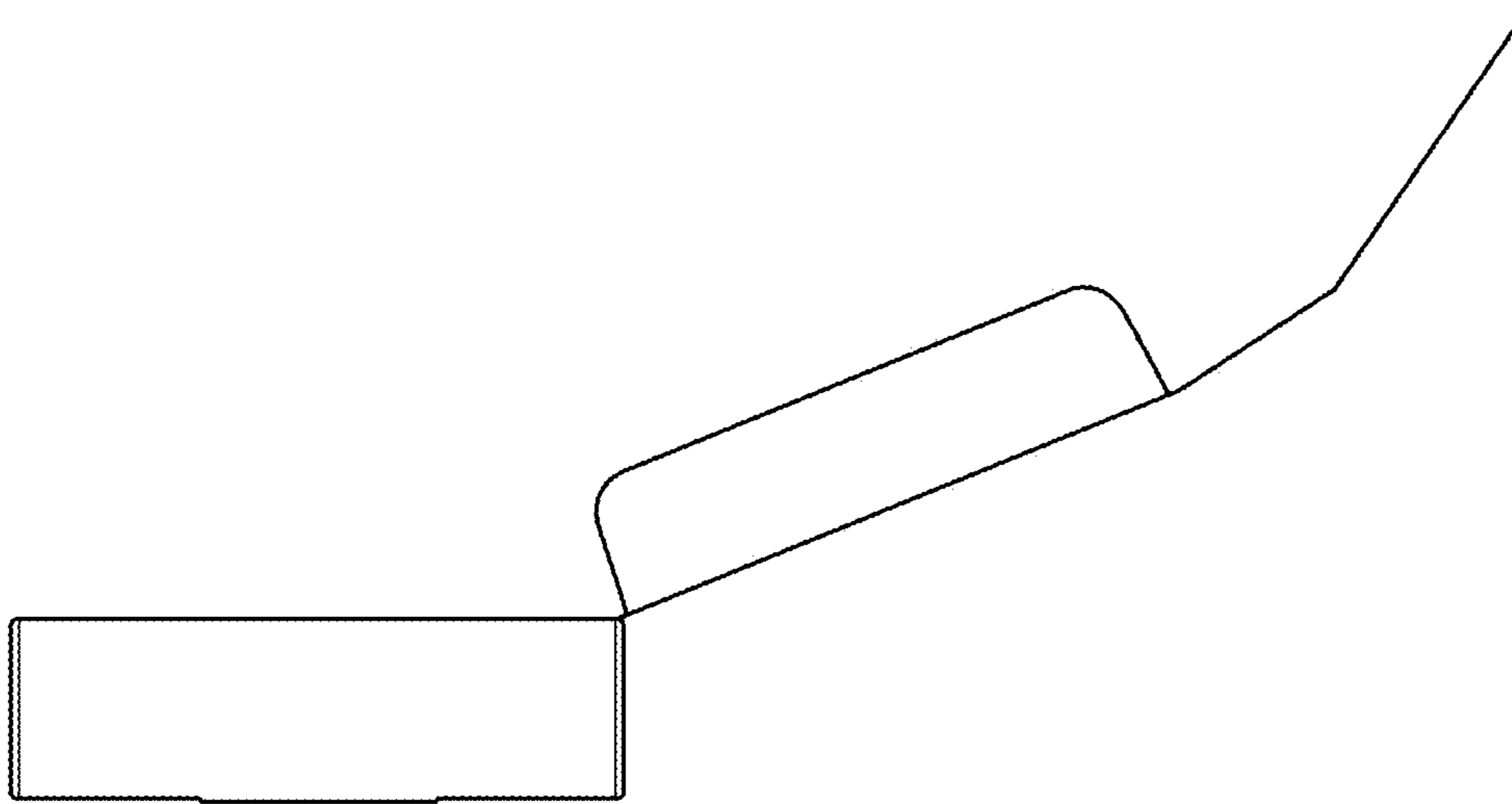


Fig. 3

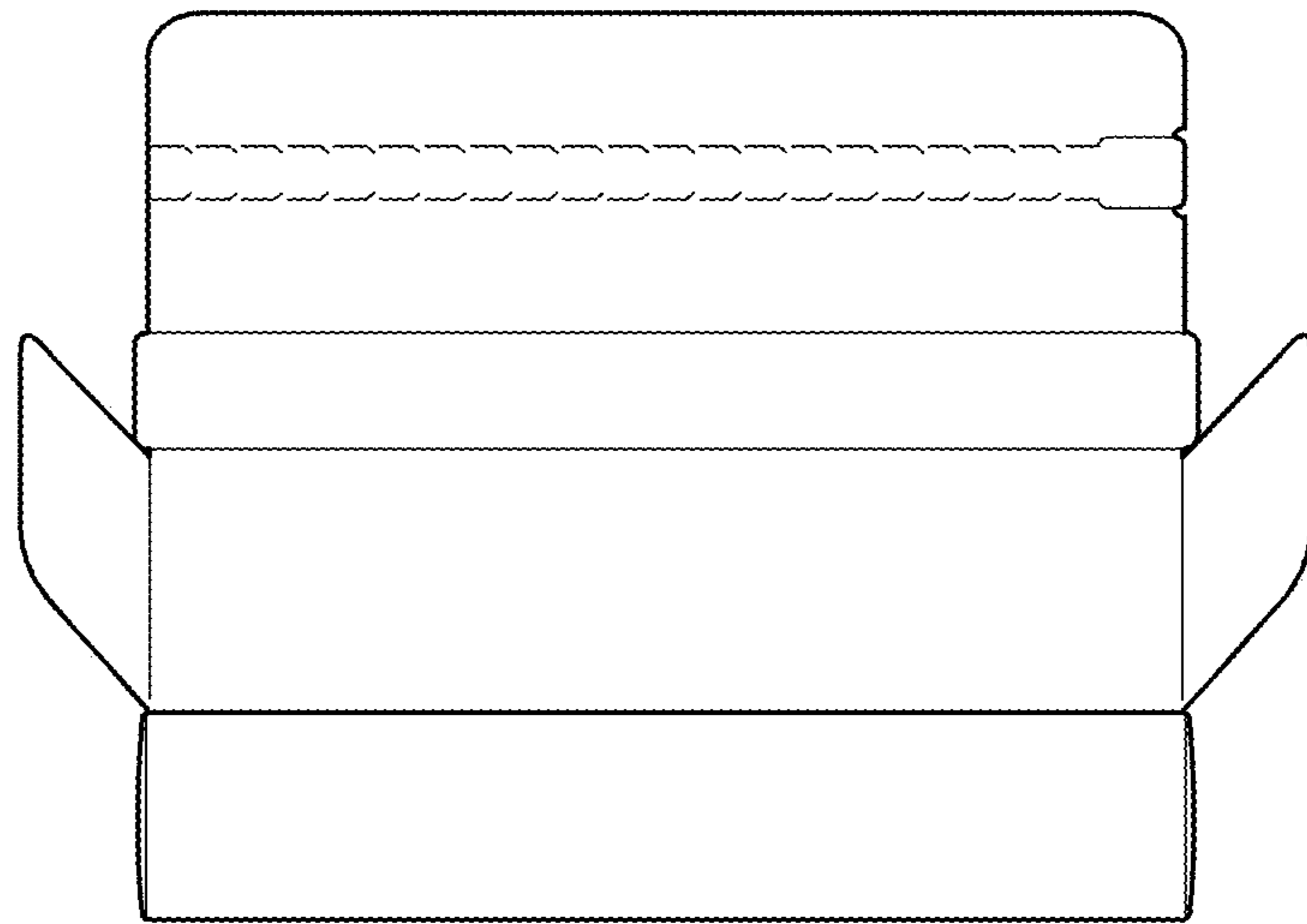


Fig. 4

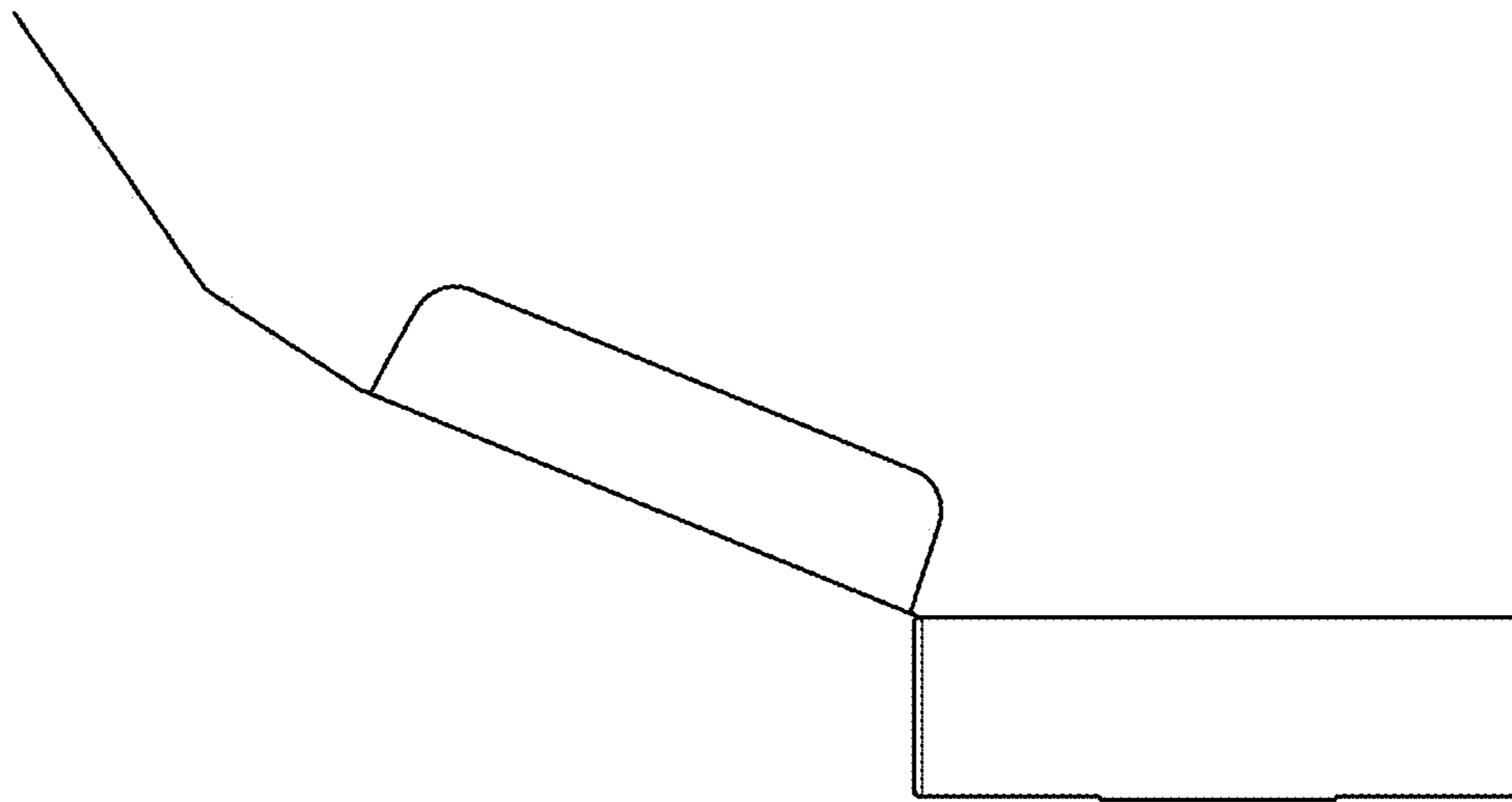


Fig. 5

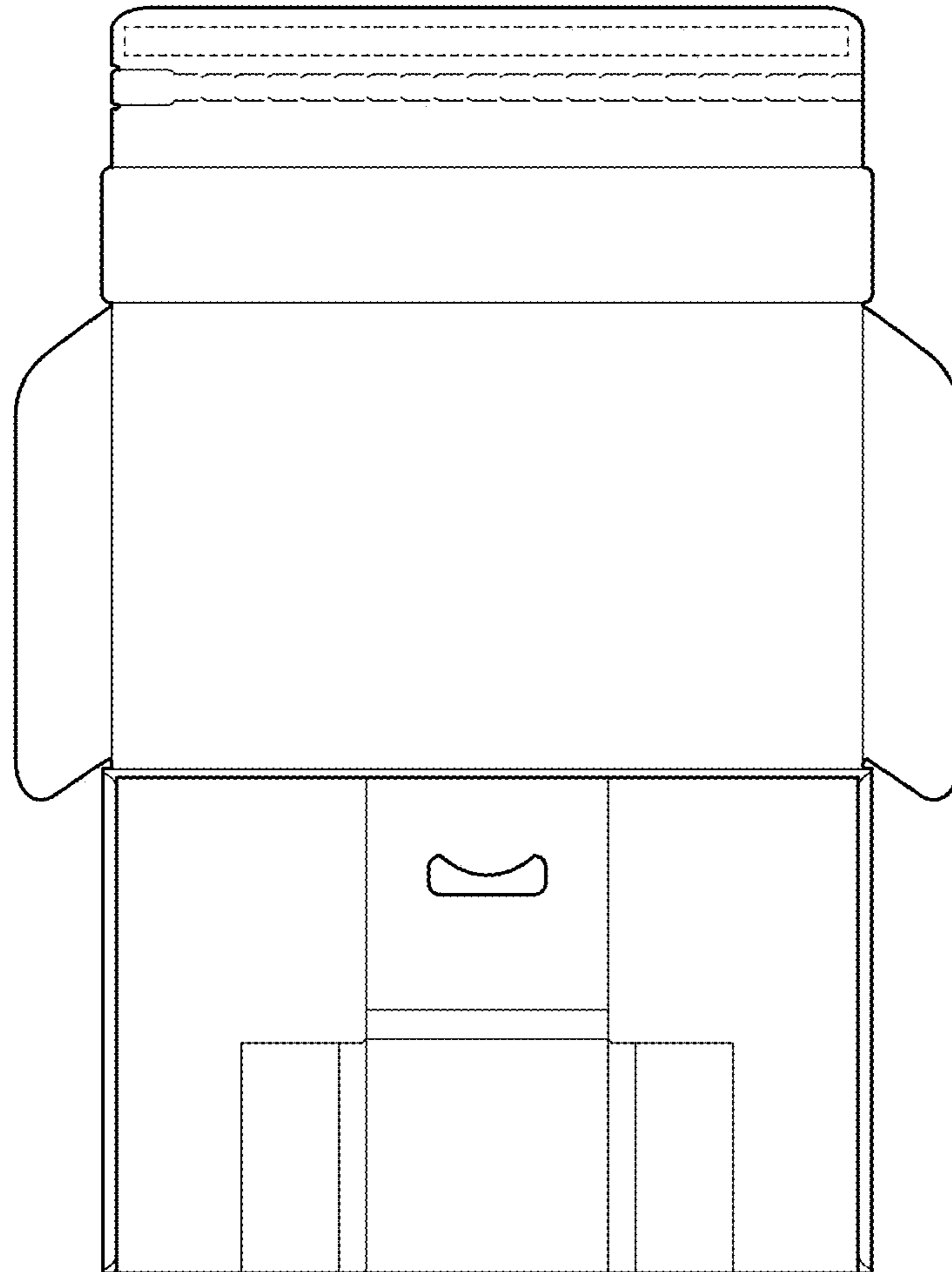


Fig. 6

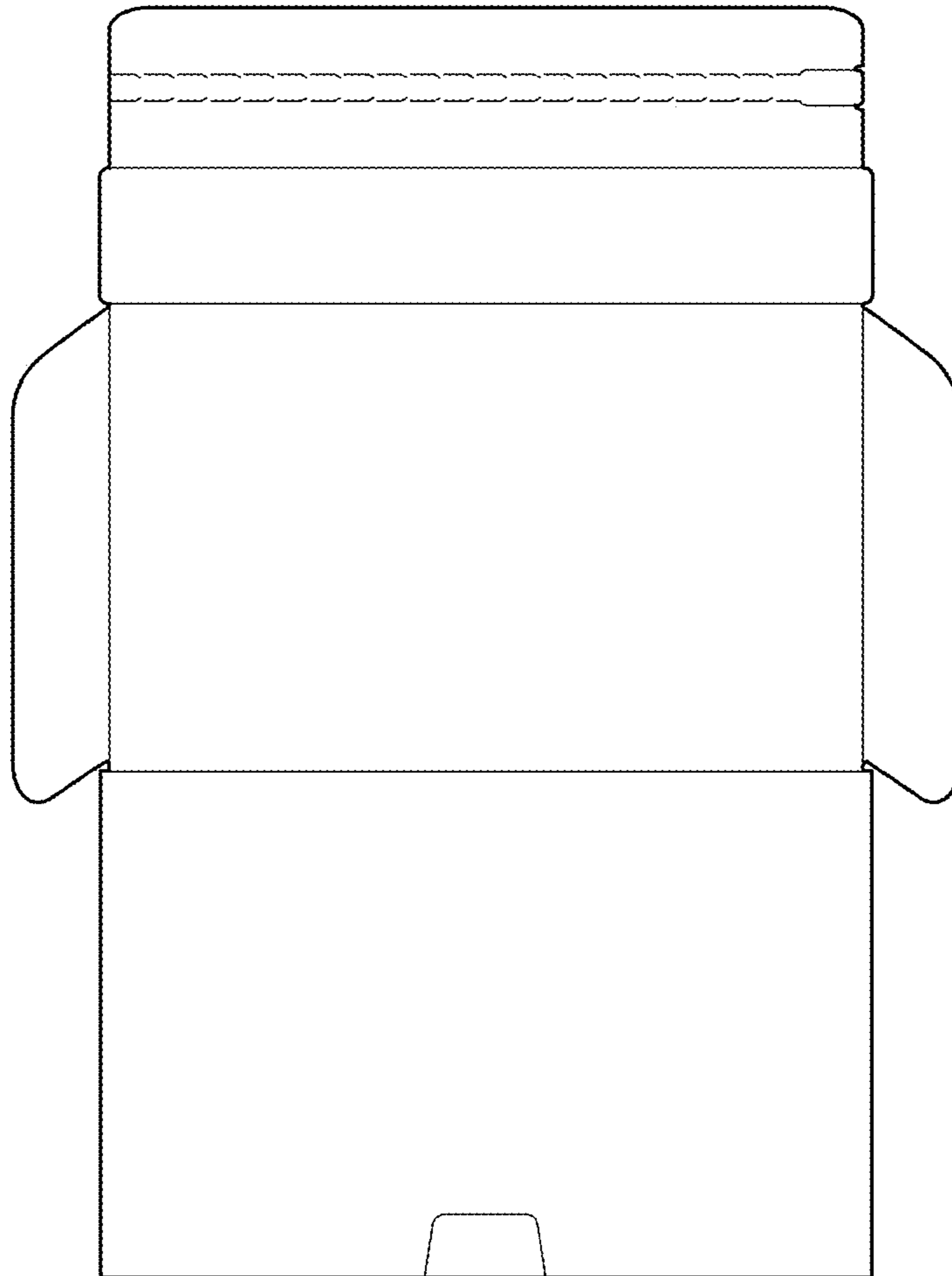


Fig. 7