



US00D897835S

(12) **United States Design Patent**  
**Rodriguez**

(10) **Patent No.:** **US D897,835 S**

(45) **Date of Patent:** **\*\* Oct. 6, 2020**

(54) **FOLIAGE BOX**

(71) Applicant: **Jose J. Rodriguez**, Miami, FL (US)

(72) Inventor: **Jose J. Rodriguez**, Miami, FL (US)

(73) Assignee: **UNITED NURSERY LLC**,  
Homestead, FL (US)

(\*\*) Term: **15 Years**

(21) Appl. No.: **29/677,153**

(22) Filed: **Jan. 17, 2019**

(51) **LOC (12) Cl.** ..... **09-03**

(52) **U.S. Cl.**  
USPC ..... **D9/432**

(58) **Field of Classification Search**  
USPC ..... D9/414-423, 430-433, 434, 456, 457,  
D9/600, 652, 711, 713, 721-722, 737,  
D9/756, 758, 759, 760; D20/10, 22, 27,  
D20/40, 42  
CPC ... B65D 5/00; B65D 5/02; B65D 5/18; B65D  
5/20  
See application file for complete search history.

(56) **References Cited**

**U.S. PATENT DOCUMENTS**

D129,731 S *	9/1941	Luttrell	.....	D9/418
3,971,504 A *	7/1976	Whyte	.....	B65D 5/02 229/118
D479,685 S *	9/2003	Zanchetta	.....	D9/433
D496,274 S *	9/2004	Egawa	.....	D9/432
D542,131 S *	5/2007	Egawa	.....	D9/432
D604,603 S *	11/2009	Kohno	.....	D9/418
8,052,038 B2 *	11/2011	Jackson	.....	B65D 3/261 229/123
D710,693 S *	8/2014	Bhasin	.....	D9/434
D715,641 S *	10/2014	Spinos	.....	D9/432

D781,142 S *	3/2017	Trujillo	.....	D9/432
D788,580 S *	6/2017	Hainaut	.....	D9/432
D830,789 S *	10/2018	Brooks	.....	D7/624.2
2007/0181458 A1 *	8/2007	Ehrlund	.....	B65D 5/38 206/528

**OTHER PUBLICATIONS**

Individual shipping packaging for large plants with a pot. [online] Published on Jun. 25, 2019. Retrieved Dec. 20, 2019 from URL: <https://www.klinge.com/en/packaging/products/showroom/e-commerce-mail-order-business/einzelversandverpackung-fuer-grosspflanzen-mit-topf>.\*

\* cited by examiner

*Primary Examiner* — Vy N Koenig

(74) *Attorney, Agent, or Firm* — Malloy & Malloy, P.L.

(57) **CLAIM**

The ornamental design for a foliage box, as shown and described.

**DESCRIPTION**

FIG. 1 is a front perspective view of a foliage box, showing my new design with an outer portion shown separated from the inner portion;

FIG. 2 is a front elevation view thereof;

FIG. 3 is a right side view thereof;

FIG. 4 is a top view thereof;

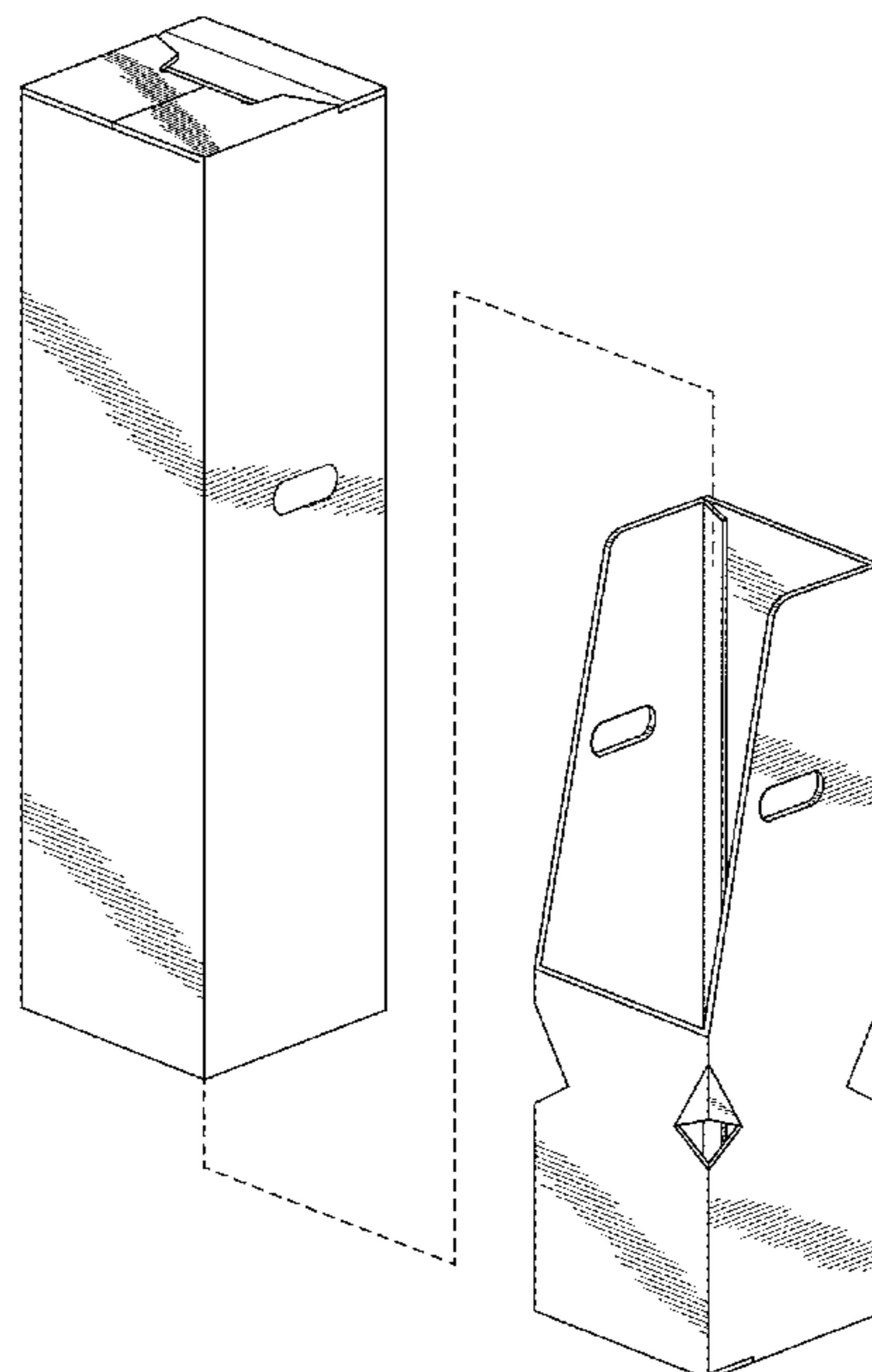
FIG. 5 is a left side view thereof;

FIG. 6 is a bottom view thereof; and,

FIG. 7 is a rear elevation view thereof.

The broken lines in the drawings depict the placement relationship between the two components of the foliage box and form no part of the claimed design. The additional broken lines shown in FIGS. 4 and 6 represent portions of the foliage box that form no part of the claimed design.

**1 Claim, 7 Drawing Sheets**



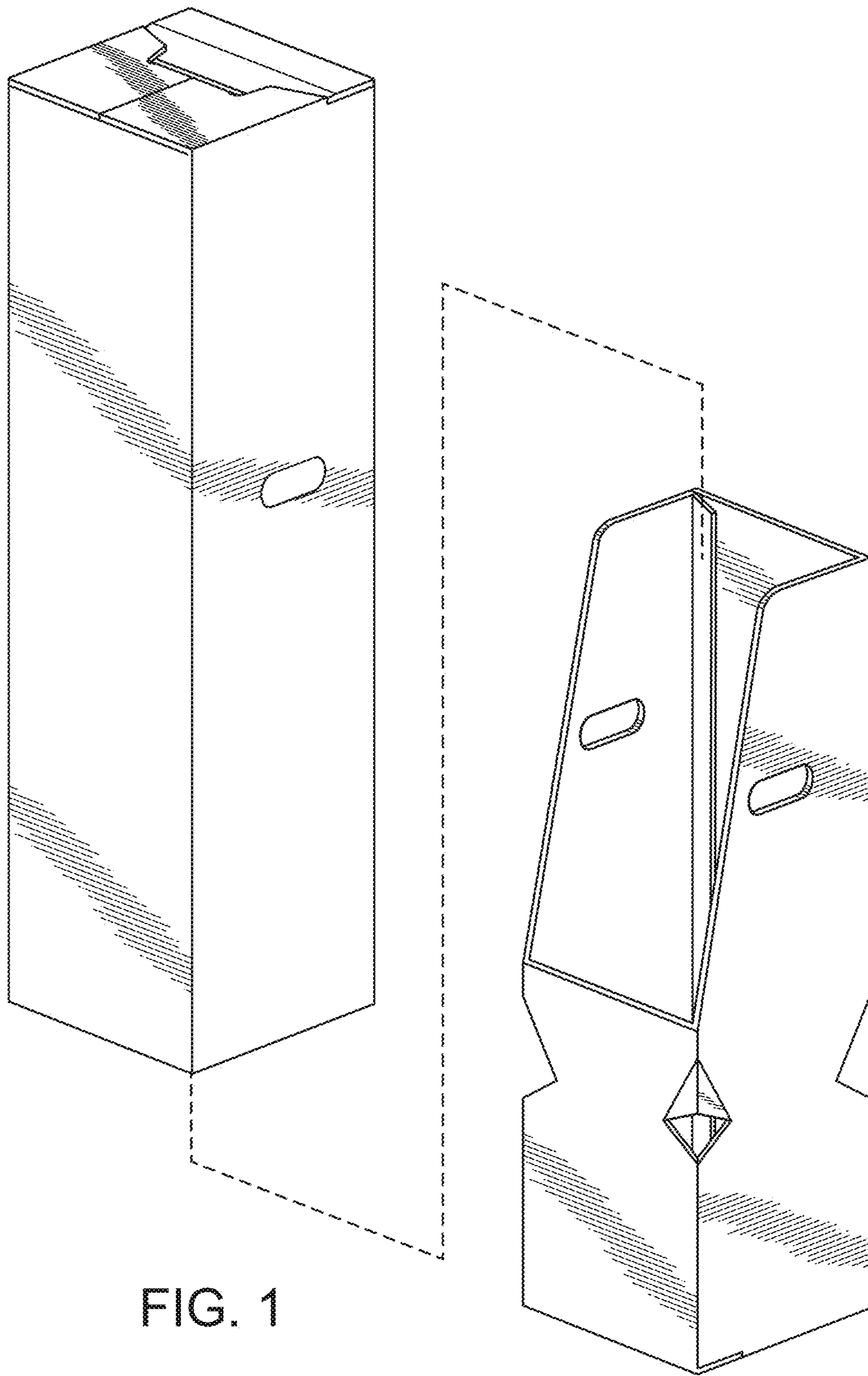


FIG. 1

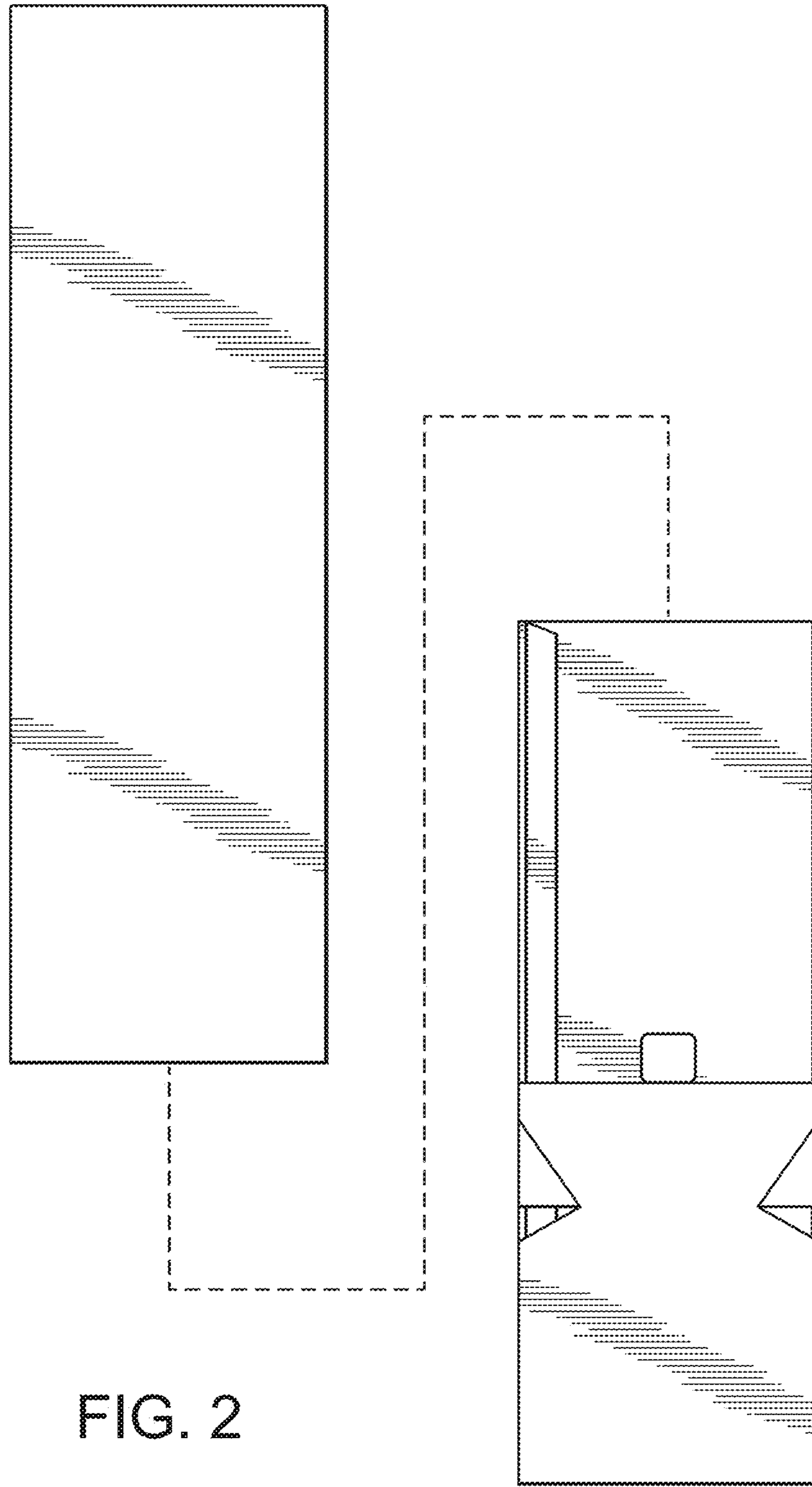


FIG. 2

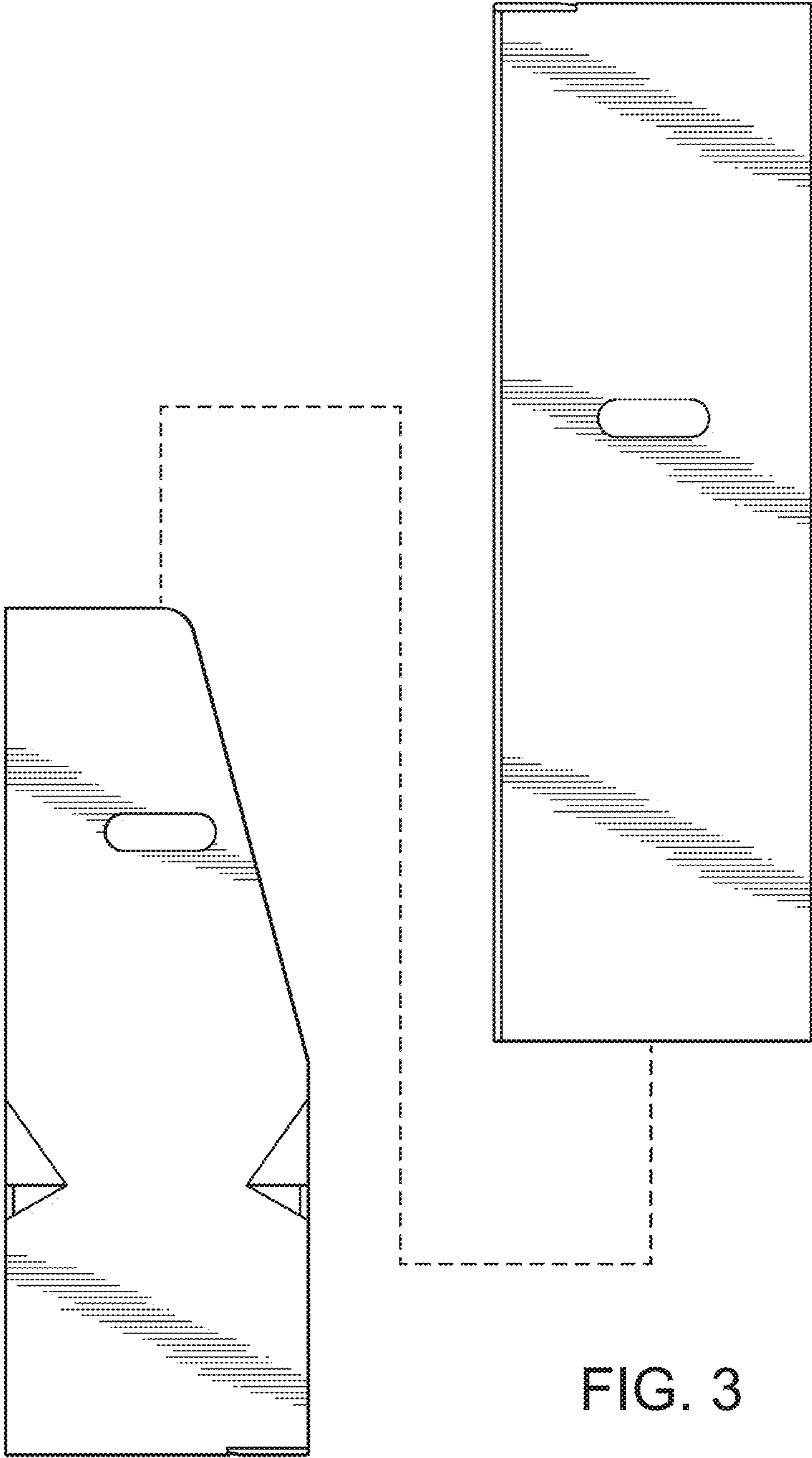


FIG. 3

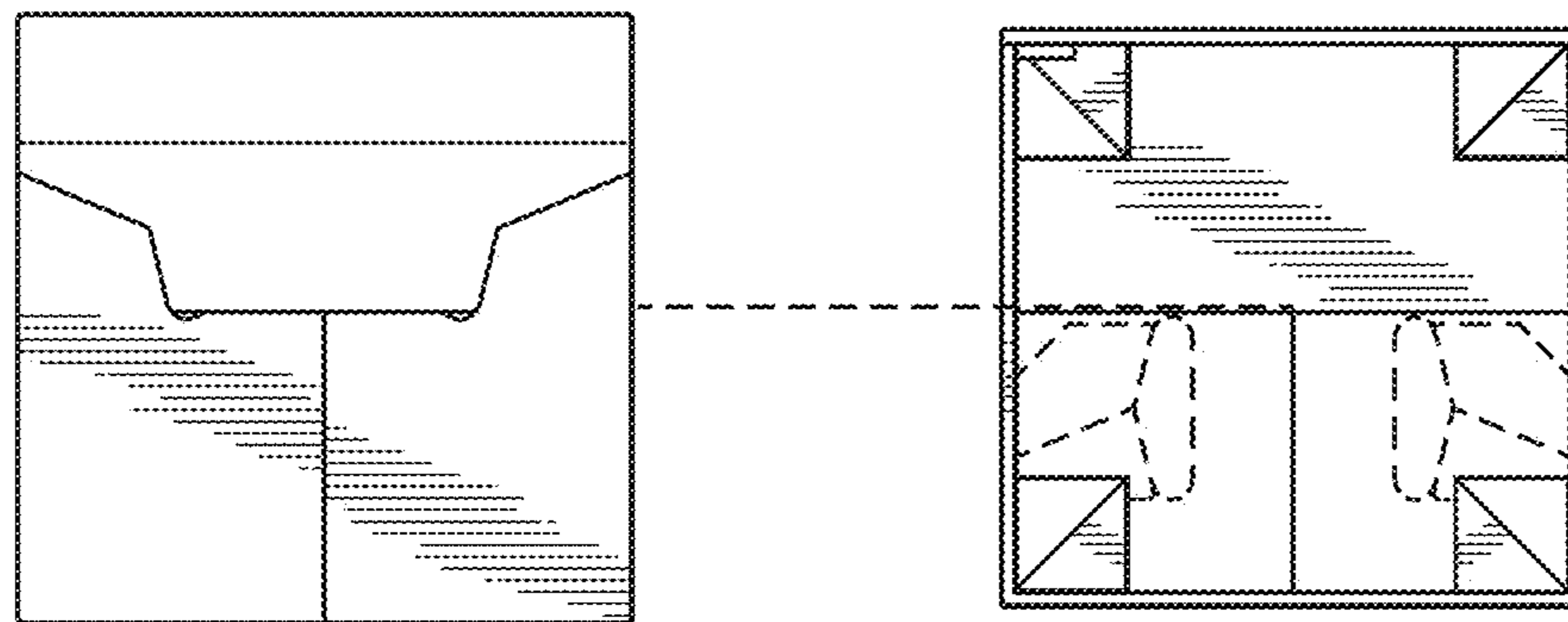


FIG. 4

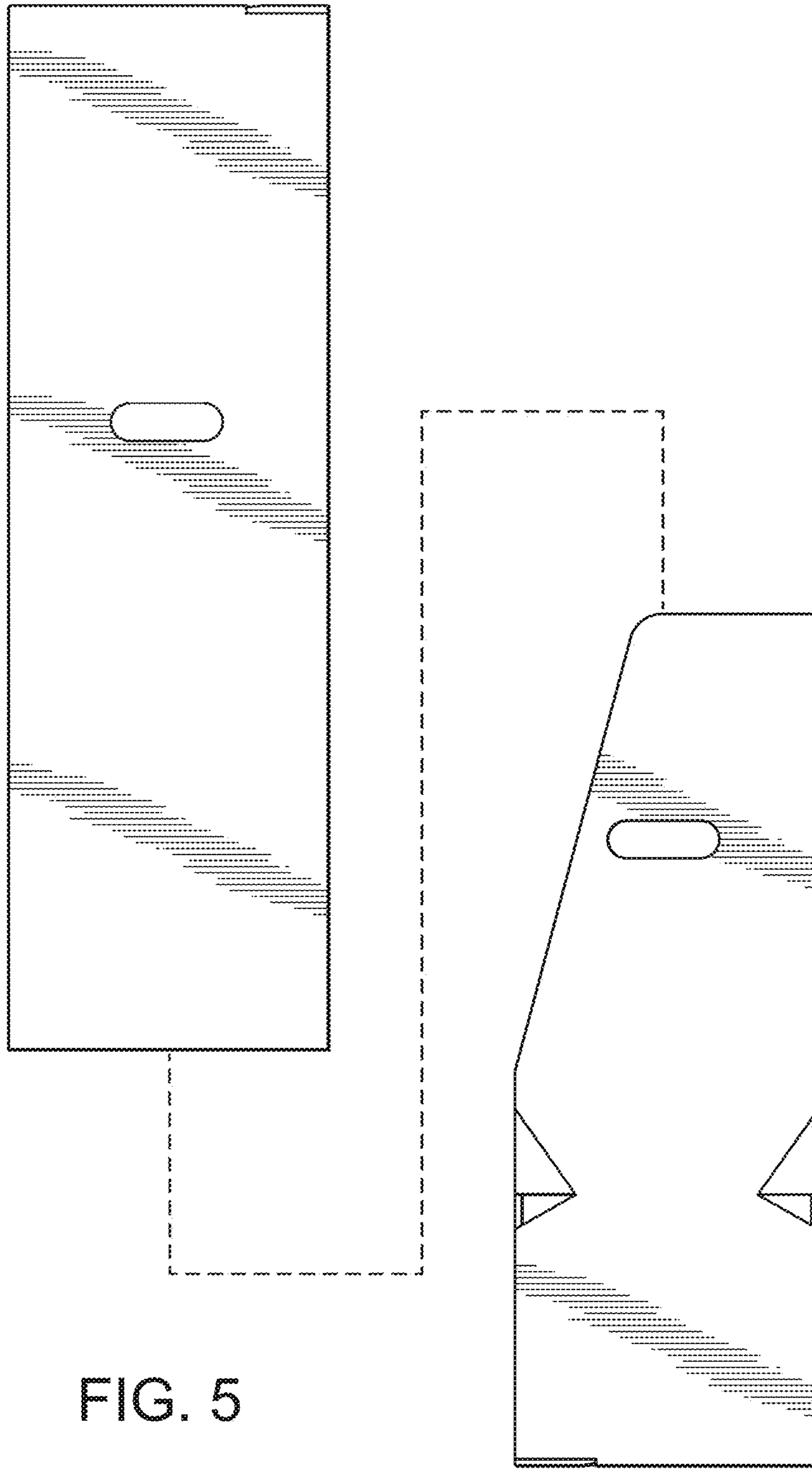


FIG. 5

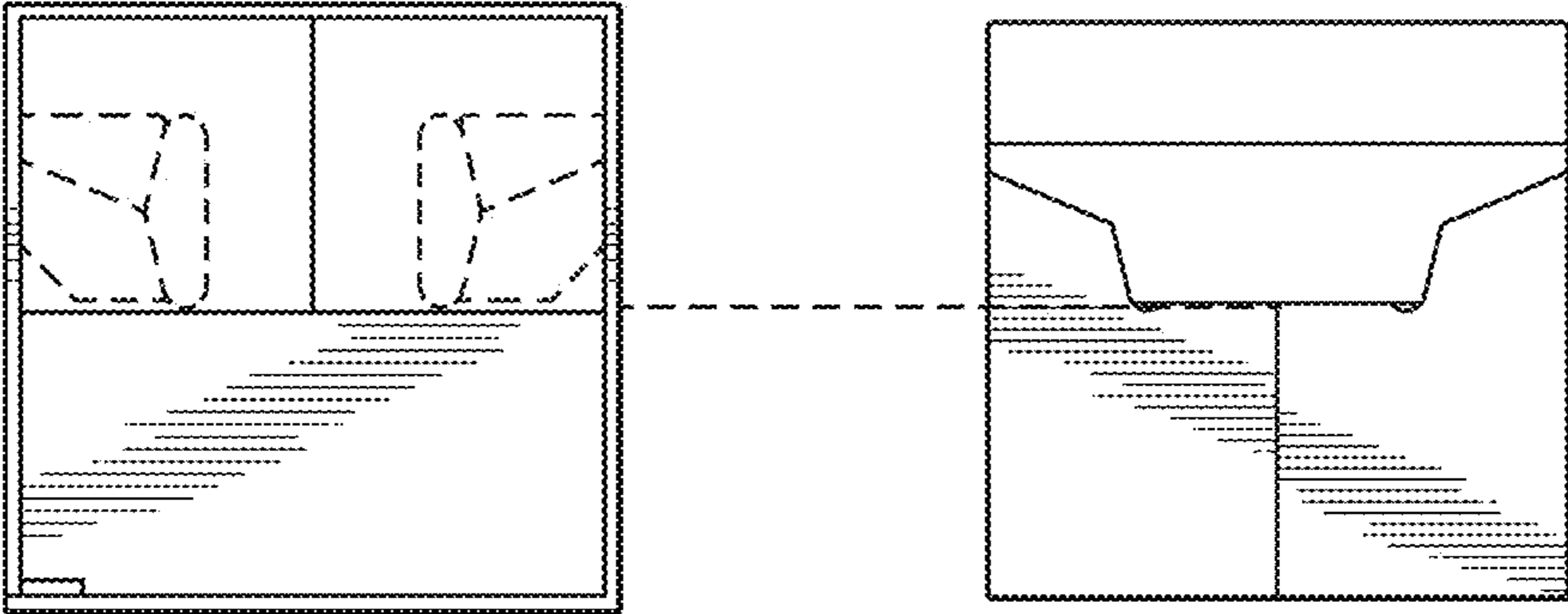


FIG. 6

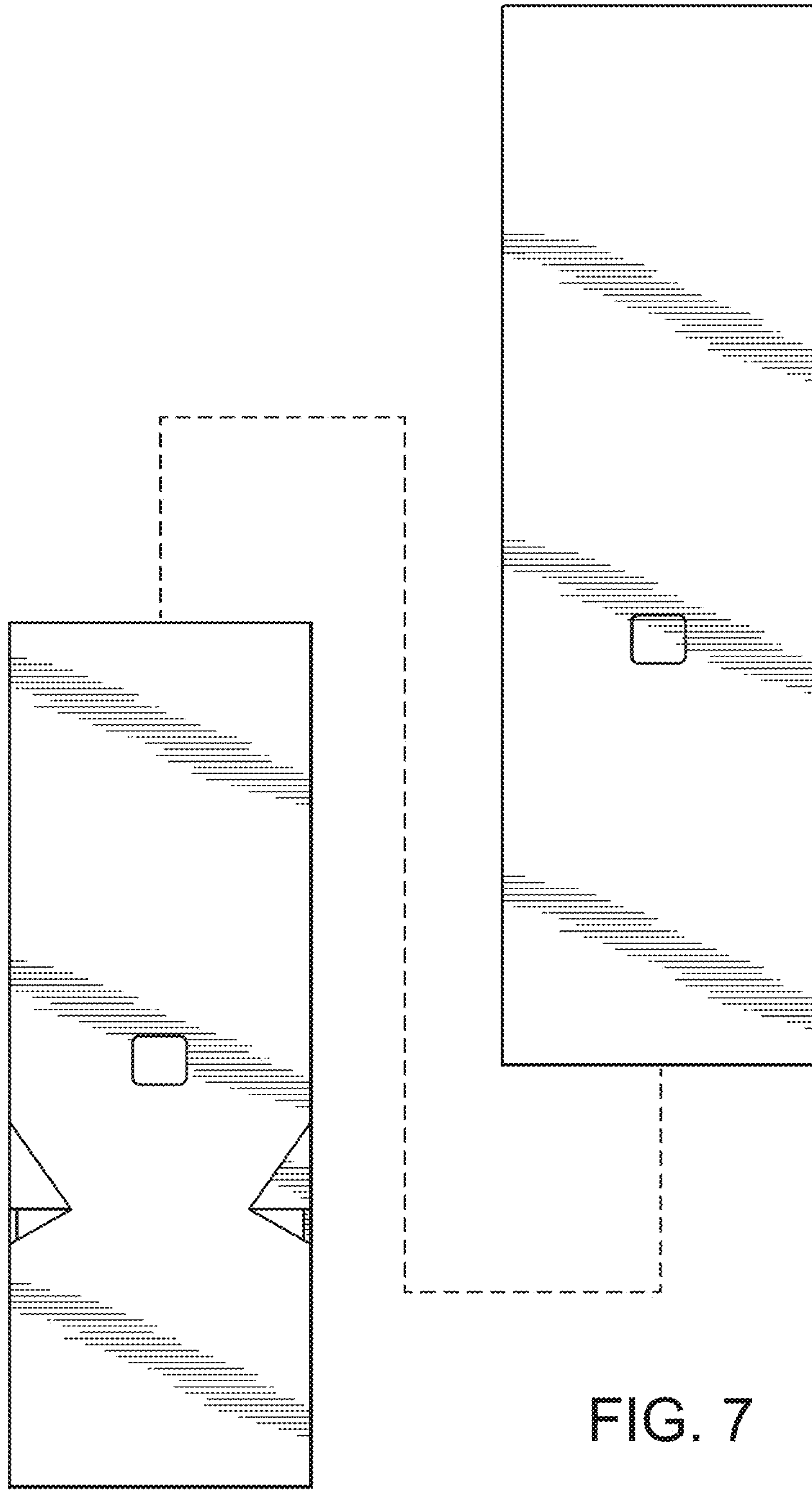


FIG. 7