



US00D897834S

(12) **United States Design Patent** (10) **Patent No.:** **US D897,834 S**
Lee et al. (45) **Date of Patent:** **** Oct. 6, 2020**

(54) **CAPSULE FOR BEER BREWING MACHINE**

(71) Applicant: **LG ELECTRONICS INC.**, Seoul (KR)

(72) Inventors: **Hophil Lee**, Seoul (KR); **Daekee Shin**, Seoul (KR)

(73) Assignee: **LG Electronics Inc.**, Seoul (KR)

(**) Term: **15 Years**

(21) Appl. No.: **35/507,694**

(22) Filed: **Apr. 23, 2019**

(80) **Hague Agreement Data**

Int. Filing Date: **Apr. 23, 2019**

Int. Reg. No.: **DM/203685**

Int. Reg. Date: **Apr. 23, 2019**

Int. Reg. Pub. Date: **Nov. 8, 2019**

(51) **LOC (12) Cl.** **09-03**

(52) **U.S. Cl.**
USPC **D9/428**

(58) **Field of Classification Search**
USPC D7/399, 400, 667, 669; D9/416, 425, D9/428, 431, 707, 708, 710, 711, 712
CPC . A47J 47/16; A47J 31/407; A23F 5/26; A23F 3/00; B65B 11/28; B65B 11/50; B65B 29/02; B65D 85/00

See application file for complete search history.

(56) **References Cited**

U.S. PATENT DOCUMENTS

D243,030 S * 1/1977 Gross D11/152
D243,357 S * 2/1977 Gross D11/152
D243,358 S * 2/1977 Gross D11/152
D606,363 S * 12/2009 Aardenburg D7/400
D628,477 S * 12/2010 Shaver D9/428
D684,065 S * 6/2013 Wiseman D9/652
D695,110 S * 12/2013 Houlton D9/500
D712,203 S * 9/2014 Lordi D7/523

D732,390 S * 6/2015 Trombetta D9/500
D752,972 S * 4/2016 Goldstein D9/429
D760,584 S * 7/2016 Katz D9/416
D771,435 S * 11/2016 Cutuli D7/400
D798,718 S * 10/2017 Foster D9/500
D822,430 S * 7/2018 Hansen D7/400
D845,705 S * 4/2019 Simonazzi B65D 21/0209
D850,920 S * 6/2019 Foster D9/516
D854,926 S * 7/2019 Tung D9/428
10,336,498 B2 * 7/2019 Foster B65D 21/0209
D858,279 S * 9/2019 Trombetta D9/434
D874,264 S * 2/2020 Maurizio D9/429

(Continued)

OTHER PUBLICATIONS

Screenshot: First Look: LG HomeBrew will brew beer in 2 weeks and handle the mess. By John Abood. Dated Jan. 8, 2019; one page. Found online Aug. 10, 2020 at <https://efm.com/2019/01/first-look-lg-homebrew-will-brew-beer-in-2-weeks-and-handle-the-mess-55713> (Year: 2019).*

(Continued)

Primary Examiner — Robert M. Spear

(74) *Attorney, Agent, or Firm* — Birch, Stewart, Kolasch & Birch, LLP

(57) **CLAIM**

The ornamental design for a capsule for beer brewing machine, as shown and described.

DESCRIPTION

1. Capsule for beer brewing machine

1.1 : Front

1.2 : Front

1.3 : Back

1.4 : Left

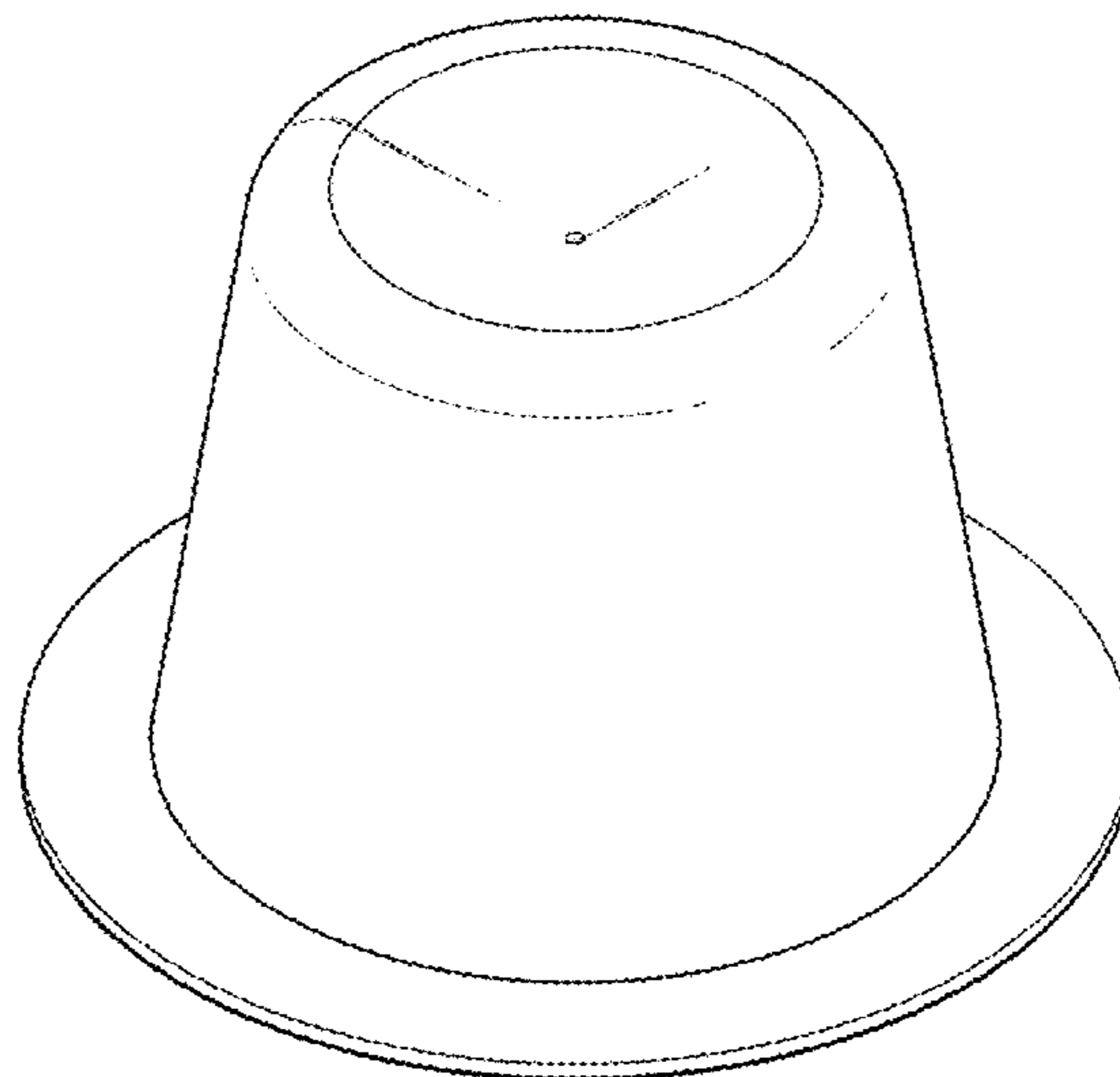
1.5 : Right

1.6 : Top

1.7 : Bottom

1.8 : Cross sectional

1 Claim, 8 Drawing Sheets



(56)

References Cited

U.S. PATENT DOCUMENTS

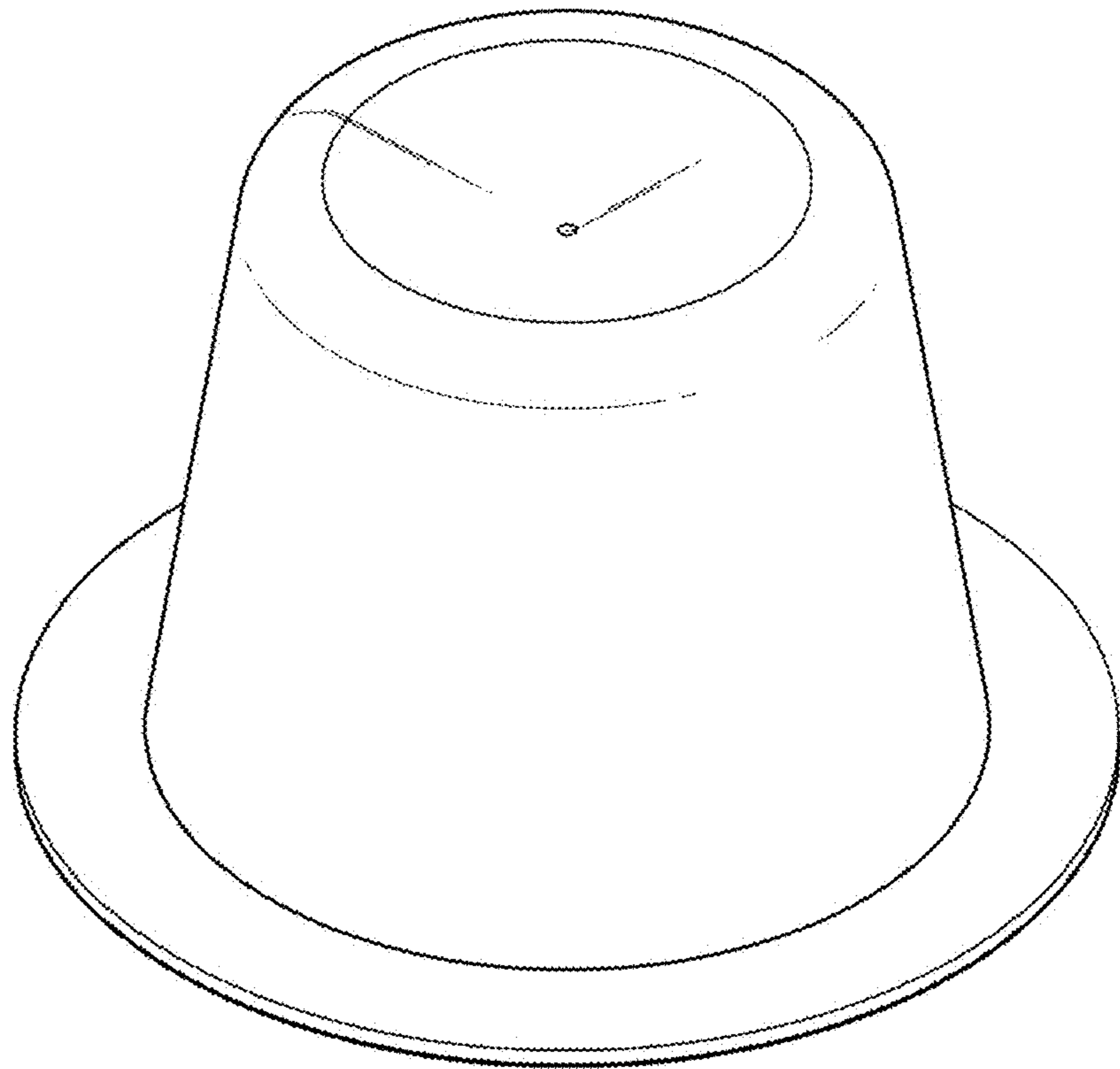
D886,582 S * 6/2020 Harif D9/425
D889,907 S * 7/2020 Braukmann D7/400
2013/0136828 A1* 5/2013 Anghileri B65D 85/8043
426/112
2014/0377413 A1* 12/2014 Liu B65D 85/8043
426/115

OTHER PUBLICATIONS

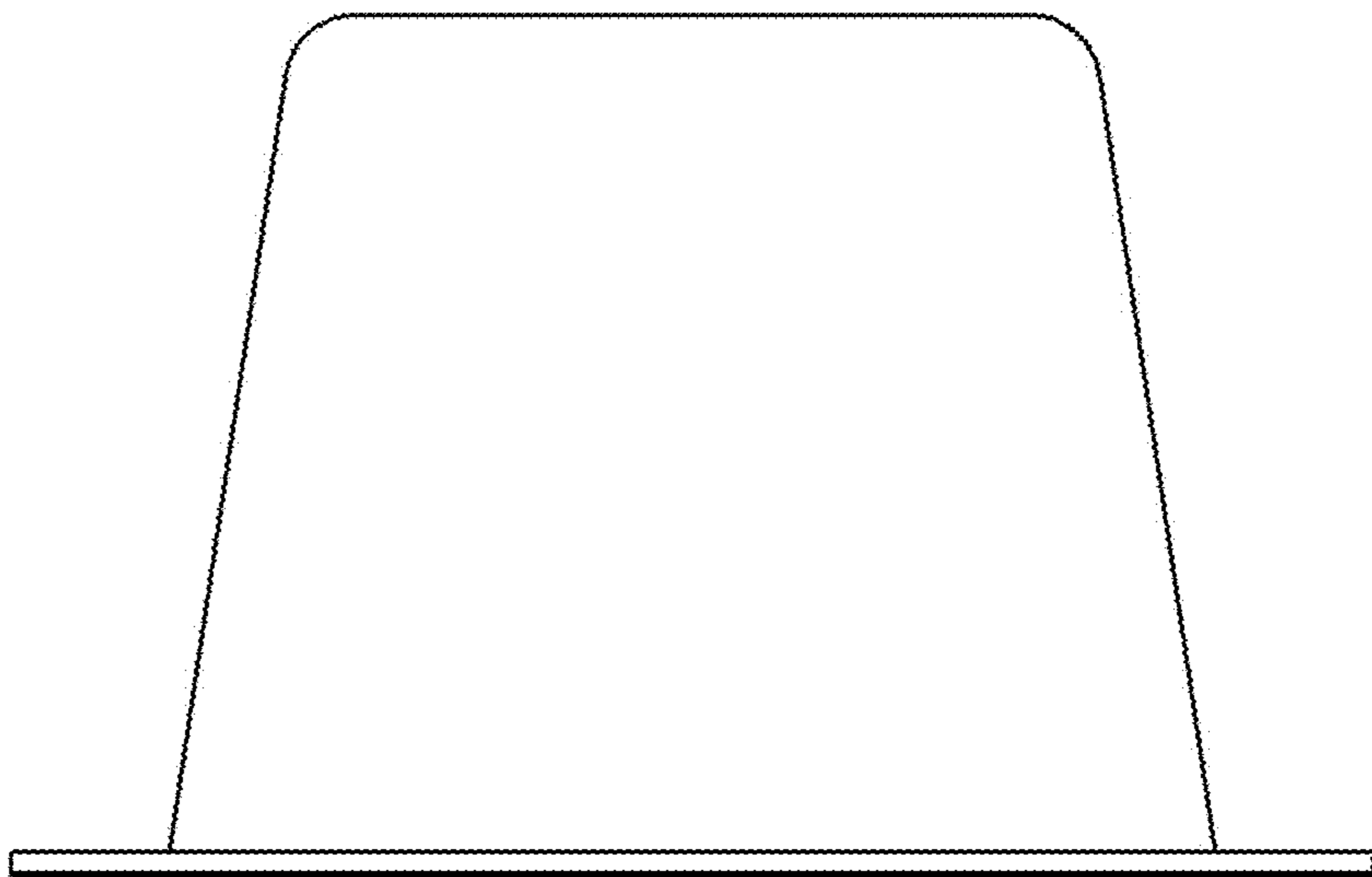
Screenshot: Manufacture Empty Coffee Capsule Nespresso coffee capsule. Undated; one page. Found online Aug. 10, 2020 at https://www.alibaba.com/product-detail/Manufacture-Empty-Coffee-Capsule-Nespresso-coffee_60193805772.html (Year: 2020).*

* cited by examiner

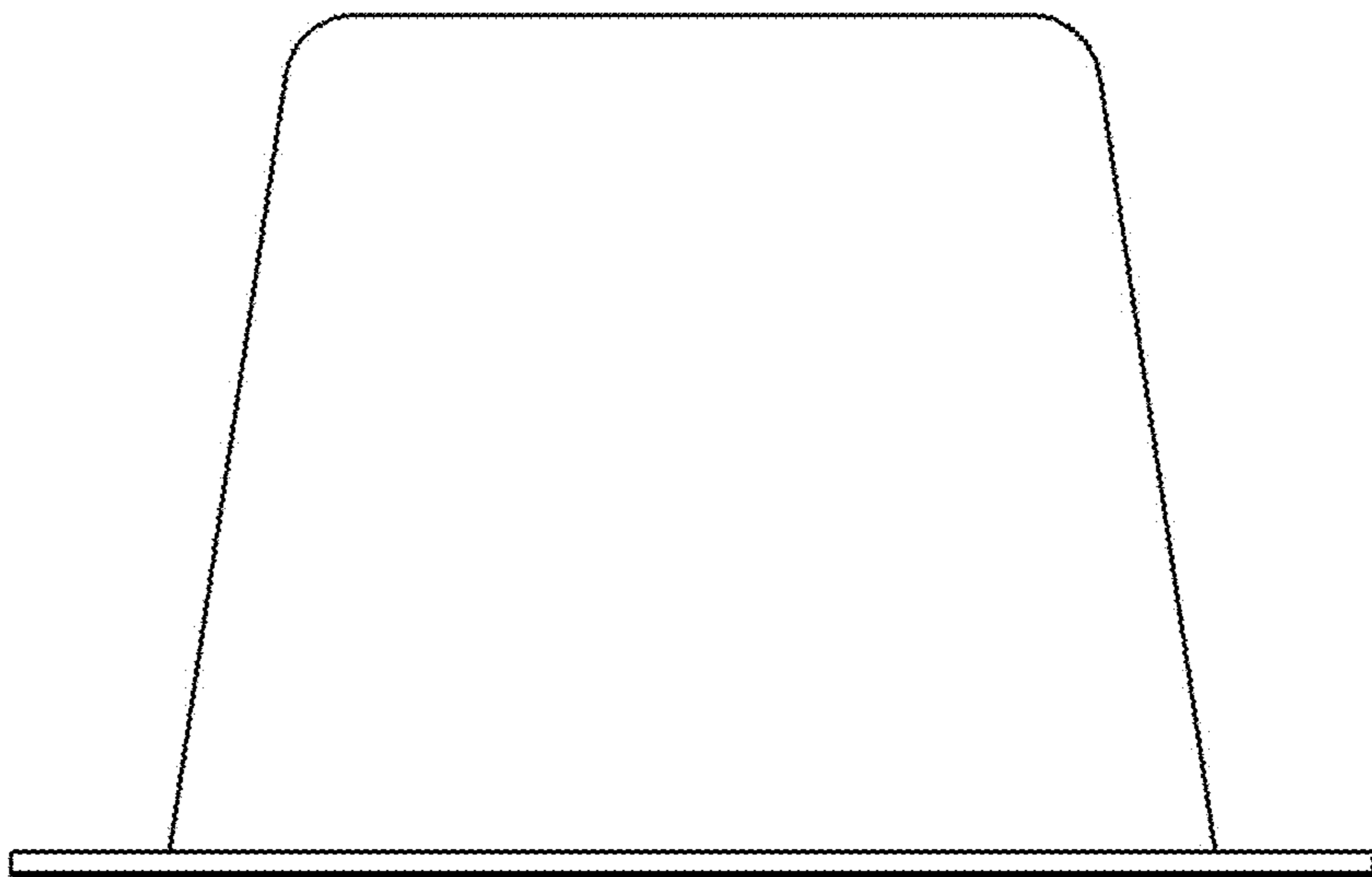
1.1



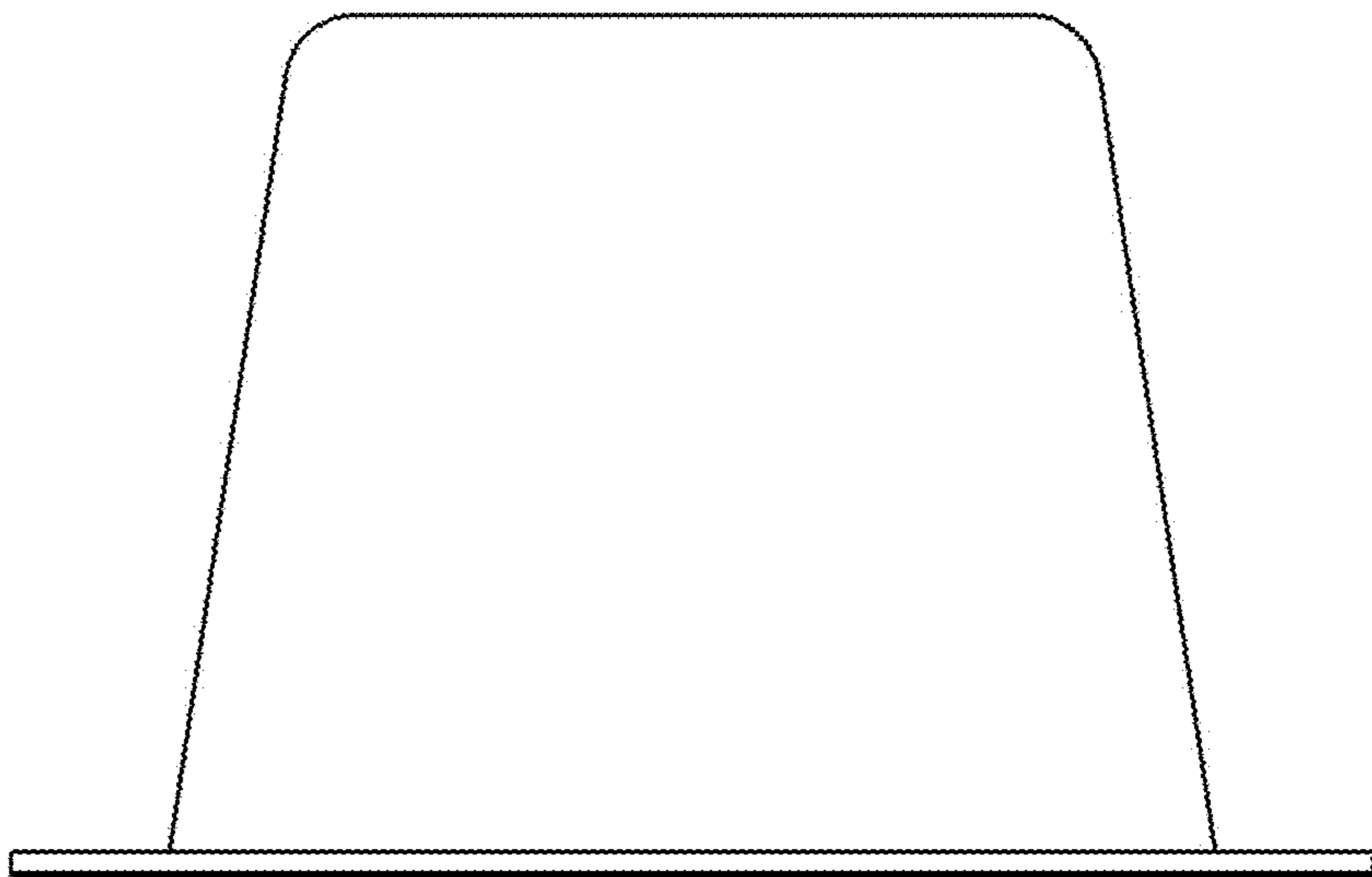
1.2



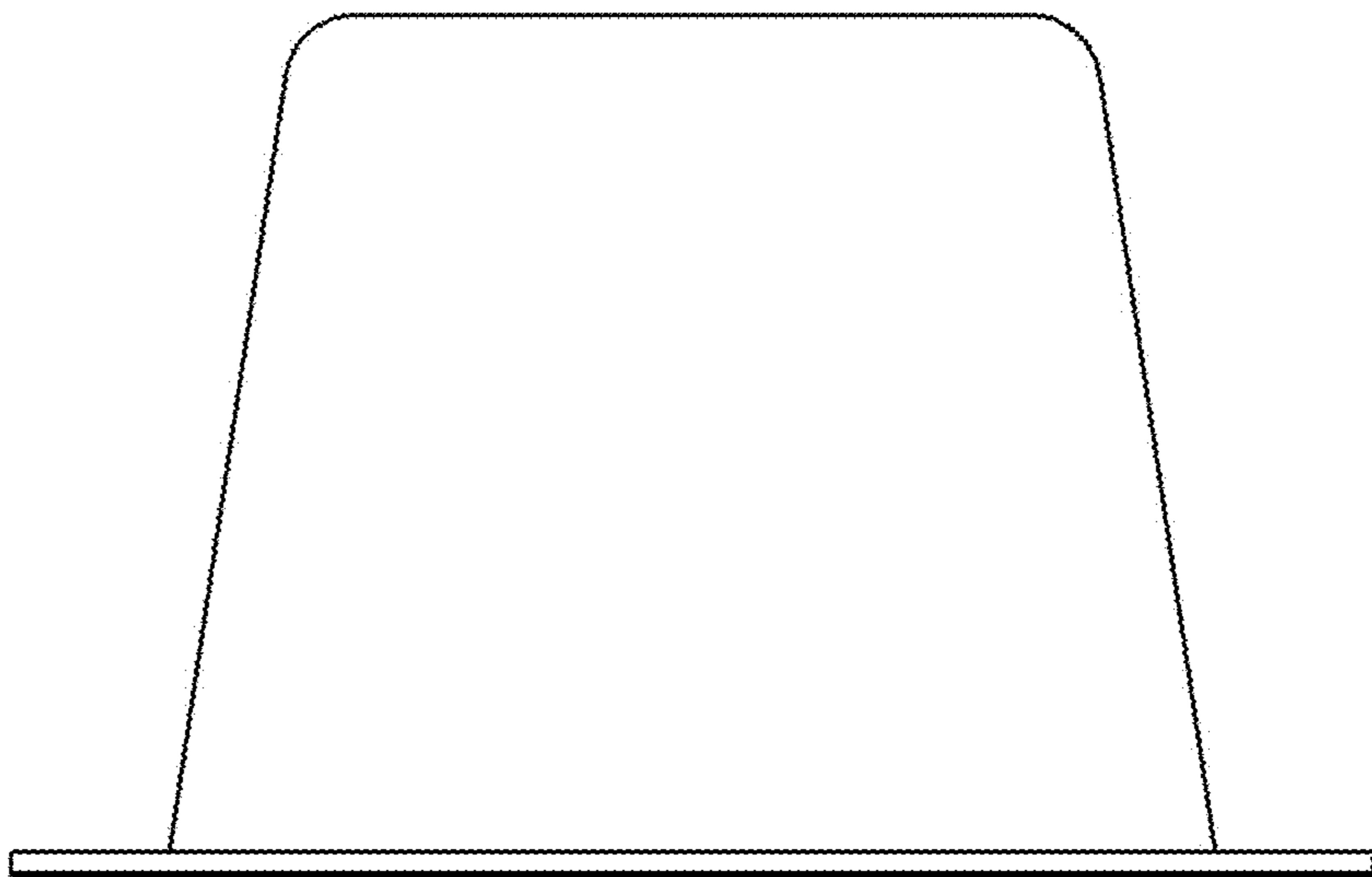
1.3



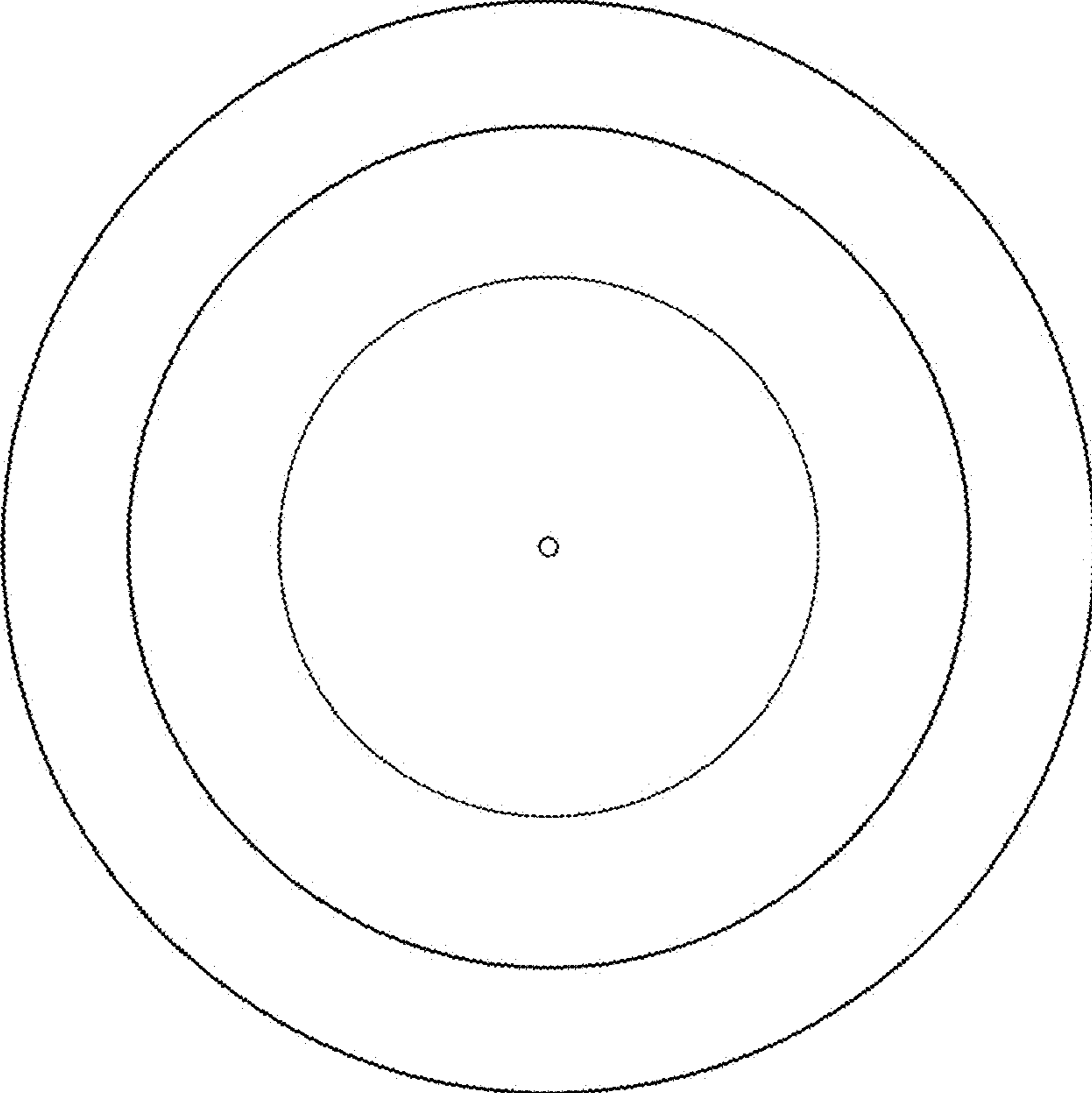
1.4



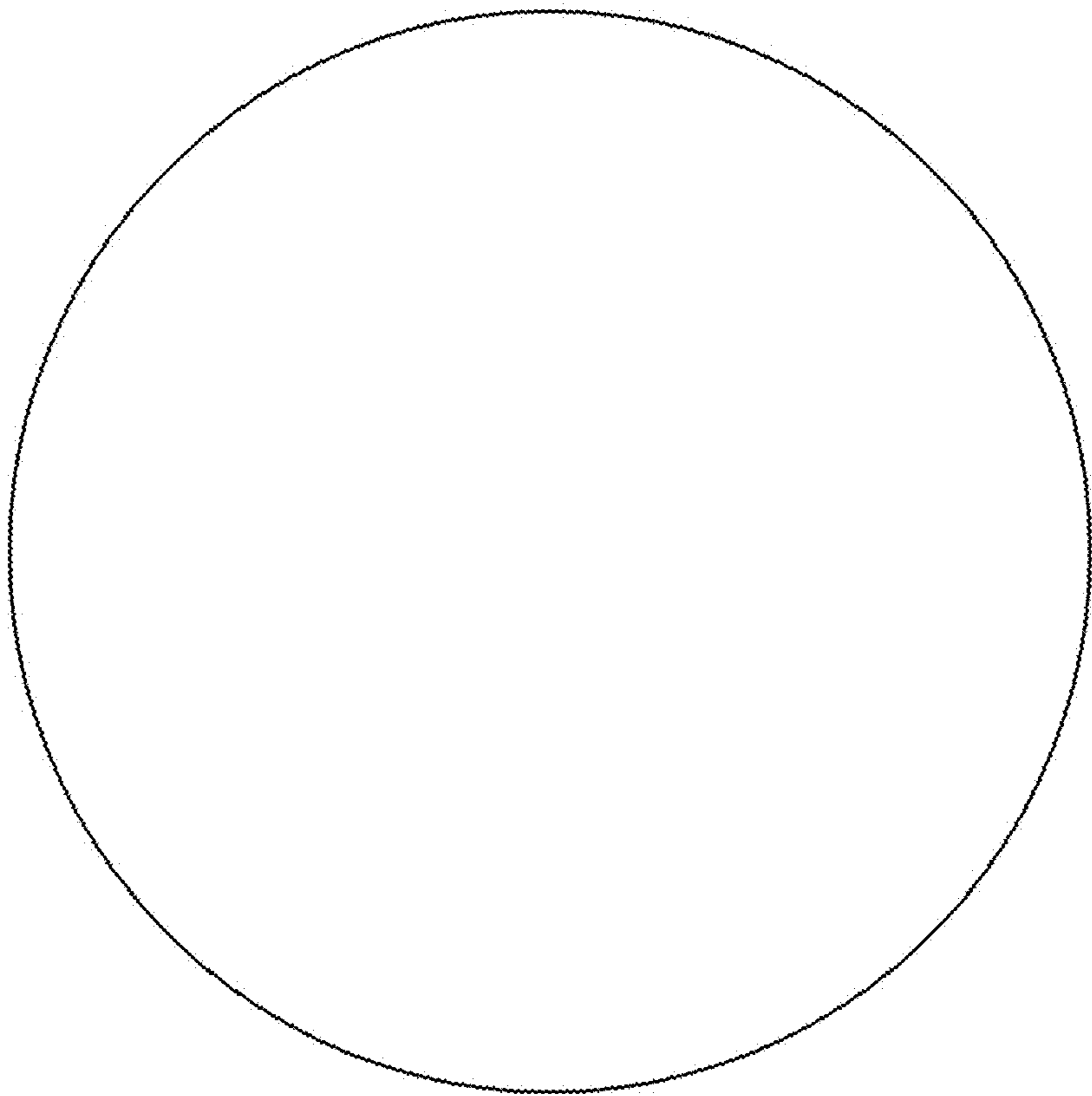
1.5



1.6



1.7



1.8

