



US00D897832S

(12) **United States Design Patent** (10) **Patent No.:** **US D897,832 S**  
**Pohlman et al.** (45) **Date of Patent:** **\*\* Oct. 6, 2020**

(54) **SANDWICH WRAP CONTAINER**  
 (71) Applicant: **Inline Plastics Corp.**, Shelton, CT (US)  
 (72) Inventors: **Christopher John Pohlman**, West Haven, CT (US); **Victor Ivenitsky**, South Salem, NY (US)  
 (73) Assignee: **Inline Plastics Corp.**, Shelton, CT (US)  
 (\*\*) Term: **15 Years**  
 (21) Appl. No.: **29/650,742**  
 (22) Filed: **Jun. 8, 2018**  
 (51) **LOC (12) Cl.** ..... **09-03**  
 (52) **U.S. Cl.**  
 USPC ..... **D9/420**  
 (58) **Field of Classification Search**  
 USPC ..... D9/414, 416, 418, 420, 423, 424, 425, D9/426, 430, 431, 432, 433, 438, 449,  
 (Continued)

(56) **References Cited**  
 U.S. PATENT DOCUMENTS  
 2,256,723 A 9/1941 Irwin  
 D151,679 S 11/1948 Braun  
 (Continued)

FOREIGN PATENT DOCUMENTS  
 CA 149435 S 1/2014  
 EP 0380321 A1 8/1990  
 (Continued)

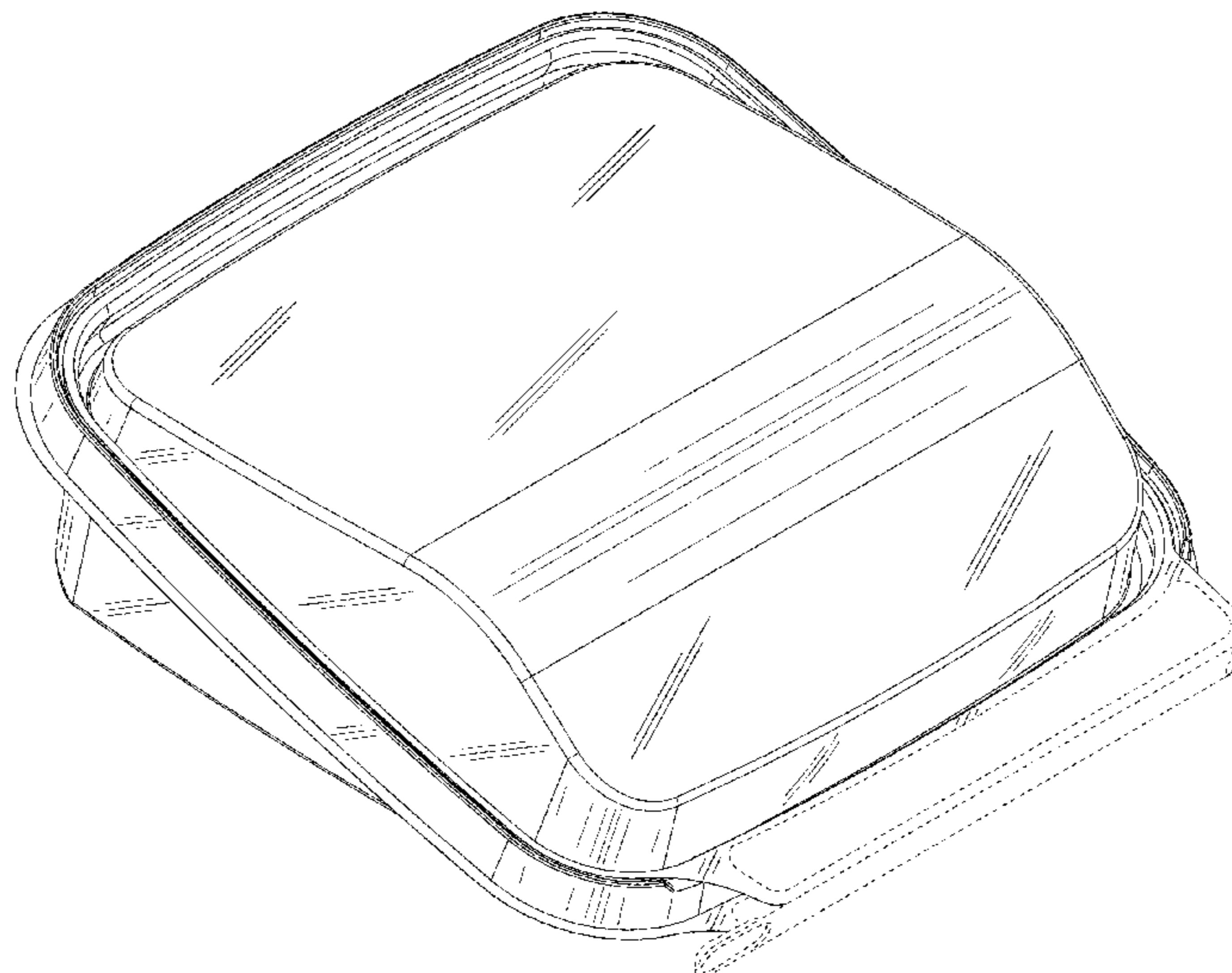
OTHER PUBLICATIONS  
 Photograph of D<sub>6</sub> Inc. Marketside Sandwich Wrap container used exclusively for Walmart.  
 (Continued)

*Primary Examiner* — Wan Laymon  
*Assistant Examiner* — Clint A Samuel  
 (74) *Attorney, Agent, or Firm* — McCarter & English, LLP; David J. Silvia, Esq.

(57) **CLAIM**  
 The ornamental design for a sandwich wrap container, as shown and described.

**DESCRIPTION**  
 FIG. 1 is a perspective view of the sandwich wrap container of the subject disclosure, shown closed;  
 FIG. 2 is a front elevation view of the sandwich wrap container of FIG. 1;  
 FIG. 3 is a rear elevation view of the sandwich wrap container of FIG. 1;  
 FIG. 4 is a right side elevation view of the sandwich wrap container of FIG. 1;  
 FIG. 5 is a left side elevation view of the sandwich wrap container of FIG. 1;  
 FIG. 6 is a top plan view of the sandwich wrap container of FIG. 1; and  
 FIG. 7 is a bottom plan view of the sandwich wrap container of FIG. 1;  
 FIG. 8 is a perspective view of the sandwich wrap container of FIG. 1, shown open and showing an interior design;  
 FIG. 9 is a rear elevation view of the sandwich wrap container of FIG. 8;  
 FIG. 10 is a front elevation view of the sandwich wrap container of FIG. 8;  
 FIG. 11 is a left side elevation view of the sandwich wrap container of FIG. 8;  
 FIG. 12 is a right side elevation view of the sandwich wrap container of FIG. 8;  
 FIG. 13 is a top plan view of the sandwich wrap container of FIG. 8; and,  
 FIG. 14 is a bottom plan view of the sandwich wrap container of FIG. 8.  
 The broken lines shown in the drawings do not form part of the claimed design.

**1 Claim, 10 Drawing Sheets**



(58) **Field of Classification Search**  
 USPC ..... D9/629, 711, 737; D7/546, 549, 538,  
 D7/602, 615, 629, 701; 229/111, 112,  
 229/222, 230, 902, 904  
 CPC . B65D 5/00; B65D 5/66; B65D 5/325; B65D  
 5/5253; B65D 5/5246; B65D 5/6605;  
 B65D 5/6632; B65D 5/6635; B65D  
 5/6644; B65D 1/34; B65D 81/3813;  
 B65D 43/163; B65D 21/00  
 See application file for complete search history.

D282,245	S	1/1986	Yeung	
D282,808	S	3/1986	Daenen et al.	
4,576,330	A	3/1986	Schepp	
D283,481	S	4/1986	Schmidt	
D284,253	S	6/1986	Carlson	
D284,254	S	6/1986	Carlson	
D286,729	S	11/1986	Tzifkansky et al.	
D287,545	S	1/1987	Long et al.	
4,640,416	A	2/1987	Northrup et al.	
4,700,842	A	10/1987	Grusin	
D292,626	S	11/1987	Chevassus	
4,787,527	A	11/1988	Monetti	
4,787,552	A	11/1988	Natori	
4,819,824	A	4/1989	Longbottom et al.	
4,844,263	A	7/1989	Hadtke	
4,915,251	A	4/1990	Payne	
D308,826	S	6/1990	Cyr et al.	
D309,105	S	7/1990	Fisher et al.	
D312,781	S	12/1990	Rigby	
4,976,370	A	12/1990	Cassel	
5,009,312	A	4/1991	Leben	
D317,569	S	6/1991	Lane, Sr.	
5,046,659	A	9/1991	Warburton	
D322,757	S	* 12/1991	Payne ..... D9/425	
5,071,060	A	12/1991	DeFelice	
D323,114	S	1/1992	Sheehan	
D325,847	S	5/1992	Wolff	
D330,490	S	10/1992	Turner	
D330,830	S	11/1992	Baranyai et al.	
D330,996	S	11/1992	Smith et al.	
5,169,014	A	12/1992	Hexamer	
D332,204	S	1/1993	Carlson	
D332,218	S	1/1993	Serna	
5,176,272	A	1/1993	Ryan	
D334,114	S	3/1993	Narsutis	
D343,768	S	2/1994	Cautereels et al.	
5,310,070	A	5/1994	Haas et al.	
D348,394	S	7/1994	Dreyer	
D348,805	S	7/1994	Cautereels	
D349,050	S	7/1994	Krupa	
D350,880	S	9/1994	VanValkenburg et al.	
D351,090	S	10/1994	Narsutis	
D353,327	S	12/1994	Castner et al.	
D357,161	S	4/1995	Booten	
5,405,009	A	4/1995	Hackenbracht	
5,409,126	A	4/1995	DeMars	
5,445,397	A	8/1995	Evans	
D365,206	S	12/1995	Goodman	
D365,251	S	12/1995	Lo	
D366,397	S	1/1996	Zimmerman	
D367,211	S	2/1996	Cautereels	
D367,609	S	3/1996	Frank et al.	
D372,174	S	7/1996	Arduini	
D373,952	S	9/1996	Exarhos et al.	
D373,953	S	9/1996	Gale	
5,584,408	A	12/1996	Orkisz	
D377,739	S	2/1997	Carlson	
D378,039	S	2/1997	Ferris	
D379,138	S	5/1997	Carlson	
D380,349	S	7/1997	Indekeu	
D381,560	S	7/1997	Indekeu	
D382,956	S	8/1997	Collins	
D384,247	S	9/1997	Smith et al.	
D386,042	S	11/1997	Miller	
D388,324	S	12/1997	Bonnard	
D392,881	S	3/1998	Bulcher et al.	
D395,985	S	7/1998	Krupa et al.	
D403,176	S	12/1998	Harper	
D403,924	S	1/1999	Carlson	
5,862,930	A	1/1999	Orkisz	
D406,233	S	3/1999	Kaplan	
D407,014	S	* 3/1999	McCann ..... D9/423	
D408,734	S	* 4/1999	McCann ..... D9/423	
5,906,292	A	5/1999	Rider, Jr.	
5,950,854	A	9/1999	Rider, Jr. et al.	
5,954,203	A	9/1999	Marconi	
D415,935	S	11/1999	Martinez	
D417,077	S	11/1999	Sheu	
5,996,787	A	12/1999	Kobayashi	

(56) **References Cited**

U.S. PATENT DOCUMENTS

2,715,458	A	8/1955	Polglase
D182,255	S	3/1958	Smith
3,029,937	A	4/1962	Vogt
3,128,030	A	4/1964	Davies
3,164,478	A	1/1965	Donald
D204,505	S	4/1966	Bostrom
D205,868	S	9/1966	Immermann
D205,968	S	10/1966	Bostrom
3,306,462	A	2/1967	Da
D208,828	S	10/1967	Braun
3,372,812	A	3/1968	Parcels
3,376,046	A	4/1968	Kivett et al.
3,390,809	A	7/1968	Giorgio
3,394,861	A	7/1968	Truax
D212,593	S	11/1968	Collie
D212,594	S	11/1968	Collie
3,410,698	A	11/1968	Sosin
3,424,342	A	1/1969	Scopp et al.
D213,310	S	2/1969	Collie
D218,155	S	7/1970	Britt
3,589,554	A	6/1971	Smith
D227,226	S	6/1973	City
3,740,238	A	6/1973	Graham
D231,089	S	4/1974	Hill
3,863,832	A	2/1975	Gordon et al.
3,876,130	A	4/1975	Haase
D236,692	S	9/1975	Haase
3,902,540	A	9/1975	Commisso
3,933,295	A	1/1976	Congleton
3,937,389	A	2/1976	Wind
D240,353	S	6/1976	Edwards
D241,820	S	10/1976	Jewell
D241,821	S	10/1976	Jewell
D241,822	S	10/1976	Jewell
4,014,450	A	3/1977	Girotti et al.
D245,579	S	8/1977	Jewell
D245,762	S	9/1977	Takacs
4,079,880	A	3/1978	Edwards
4,096,986	A	6/1978	Florian
4,127,189	A	11/1978	Shumrak et al.
4,132,344	A	1/1979	Jewell
4,150,777	A	4/1979	Cyr et al.
D253,456	S	11/1979	Payne
4,183,446	A	1/1980	Davis
D254,776	S	4/1980	Edwards
D256,435	S	8/1980	Payne
D258,722	S	3/1981	Commisso et al.
4,253,600	A	3/1981	Schubert
D259,543	S	6/1981	Commisso et al.
D262,866	S	2/1982	Commisso et al.
D263,023	S	2/1982	Commisso et al.
D263,798	S	4/1982	Edwards
D267,911	S	2/1983	Long et al.
D270,708	S	9/1983	Dart
D272,971	S	3/1984	Tallon
D275,165	S	8/1984	Grusin
D277,167	S	1/1985	Dart
D279,952	S	8/1985	Daenen et al.
D280,138	S	8/1985	Bakic
D280,964	S	10/1985	Wolff
D281,048	S	10/1985	Wolff
D281,229	S	11/1985	Tyler



(56)

References Cited

U.S. PATENT DOCUMENTS

D418,415 S 1/2000 Hayes et al.  
 D418,716 S 1/2000 Haley  
 D420,859 S 2/2000 Loew et al.  
 6,054,159 A 4/2000 Manzone  
 D428,310 S 7/2000 Zettle et al.  
 D437,685 S 2/2001 Liu  
 D440,470 S 4/2001 Tucker et al.  
 6,220,442 B1 4/2001 Merrell et al.  
 D443,184 S 6/2001 Maxwell et al.  
 D445,649 S 7/2001 Maxwell et al.  
 D446,085 S 8/2001 Dretzka  
 D449,165 S 10/2001 van der Hulst  
 D449,495 S 10/2001 Tucker et al.  
 6,332,546 B1 12/2001 Hunt  
 D455,321 S 4/2002 Jung et al.  
 D458,085 S 6/2002 Kim  
 D458,127 S 6/2002 de Groote  
 D467,128 S 12/2002 Thonis et al.  
 D469,314 S 1/2003 Thonis et al.  
 D469,665 S 2/2003 Pettaweebuncha  
 D479,401 S 9/2003 Claypool  
 D479,442 S 9/2003 Bergas  
 D479,673 S 9/2003 Kim  
 D479,954 S 9/2003 Kim  
 D480,929 S 10/2003 Douglas  
 D481,910 S 11/2003 Kim  
 D483,622 S 12/2003 Kim  
 D484,367 S 12/2003 Kim  
 D490,278 S 5/2004 Welsh  
 D496,560 S 9/2004 Lerner  
 D502,869 S \* 3/2005 Clarke ..... D9/425  
 D505,323 S 5/2005 Ramirez et al.  
 6,889,838 B2 5/2005 Meier et al.  
 D505,840 S 6/2005 Schultz et al.  
 D509,111 S 9/2005 Vovan  
 D509,411 S 9/2005 Laib et al.  
 D509,995 S 9/2005 Laib et al.  
 D510,804 S 10/2005 Horman  
 D511,942 S 11/2005 Laib et al.  
 D513,376 S 1/2006 Shannon  
 D516,801 S 3/2006 Jones, III et al.  
 D521,812 S 5/2006 Kim  
 7,073,680 B2 7/2006 Boback et al.  
 D526,857 S 8/2006 Littmann  
 D529,798 S 10/2006 Snedden et al.  
 D530,198 S 10/2006 Snedden et al.  
 D533,080 S 12/2006 Darin  
 D539,100 S 3/2007 Zhao  
 D539,666 S 4/2007 Chou  
 D540,192 S 4/2007 Darin  
 D540,666 S \* 4/2007 Ramirez ..... D9/423  
 D541,598 S 5/2007 Kim  
 D541,649 S 5/2007 Ramirez et al.  
 D544,762 S 6/2007 Zimmerman  
 D546,173 S 7/2007 Au  
 D546,632 S 7/2007 Oberloier  
 D546,671 S 7/2007 Cronin et al.  
 D547,175 S 7/2007 Berg  
 7,243,813 B2 7/2007 Krueger  
 7,243,815 B2 7/2007 Coppedge et al.  
 D549,119 S 8/2007 Becker  
 D551,515 S 9/2007 Ablo et al.  
 D551,546 S 9/2007 Ramirez et al.  
 D553,444 S 10/2007 de Groote et al.  
 7,284,673 B2 10/2007 Habeger et al.  
 D557,993 S 12/2007 Stamper et al.  
 D559,042 S 1/2008 de Groote et al.  
 D562,640 S 2/2008 Tucker et al.  
 D566,482 S 4/2008 Tucker et al.  
 D566,484 S 4/2008 George  
 D569,103 S 5/2008 Hoge et al.  
 D571,654 S \* 6/2008 Maroofian ..... D9/420  
 D573,409 S 7/2008 Lovett  
 D588,451 S 3/2009 Snedden et al.  
 D589,342 S 3/2009 Maslowski

D592,399 S 5/2009 Sage  
 7,568,589 B2 8/2009 Vovan  
 D601,014 S 9/2009 Petitjean  
 D602,352 S 10/2009 Pendergrass et al.  
 D605,516 S \* 12/2009 Yang ..... D9/415  
 7,712,626 B2 5/2010 Vovan  
 D618,998 S 7/2010 Pendergrass et al.  
 D620,350 S 7/2010 Hernandez  
 D623,052 S 9/2010 Giraud et al.  
 D625,995 S 10/2010 Vovan et al.  
 D628,474 S \* 12/2010 Snedden ..... D9/426  
 D640,130 S \* 6/2011 Golota ..... D9/425  
 D647,807 S 11/2011 Golota et al.  
 D648,624 S 11/2011 Golota et al.  
 D648,625 S 11/2011 Golota et al.  
 D649,838 S 12/2011 Stamper et al.  
 D651,922 S 1/2012 Short et al.  
 D653,963 S 2/2012 Golota et al.  
 D657,237 S 4/2012 Allers et al.  
 D663,633 S 7/2012 Rivera et al.  
 8,215,485 B2 7/2012 Maroofian et al.  
 D664,841 S 8/2012 Allers et al.  
 D665,677 S 8/2012 Wu  
 D668,536 S \* 10/2012 Sanfilippo ..... D9/423  
 D672,644 S 12/2012 Allers et al.  
 D676,740 S \* 2/2013 Golota ..... D9/420  
 D680,860 S 4/2013 Schulter et al.  
 D681,446 S 5/2013 Schulter et al.  
 D685,628 S \* 7/2013 Durdon ..... D9/420  
 D701,456 S 3/2014 Farley et al.  
 D708,940 S 7/2014 Juna et al.  
 D708,941 S 7/2014 Das  
 D717,161 S 11/2014 Liu  
 D720,987 S 1/2015 Wichowski  
 D728,360 S 5/2015 Kelly  
 D728,361 S 5/2015 Farley et al.  
 D728,362 S 5/2015 Kelly  
 D735,573 S 8/2015 Jondal et al.  
 D739,228 S 9/2015 Jondal et al.  
 D764,907 S 8/2016 Das et al.  
 D774,901 S \* 12/2016 Geheran ..... D9/423  
 D808,794 S \* 1/2018 Yessin ..... D9/425  
 D837,647 S \* 1/2019 Tamshe ..... D9/420  
 D840,221 S \* 2/2019 Lam ..... D9/423  
 D850,249 S \* 6/2019 D'Alessandro ..... D9/423  
 D859,975 S \* 9/2019 Brown ..... D9/420  
 D873,656 S \* 1/2020 Wouters ..... D9/426  
 D874,263 S \* 2/2020 Wouters ..... D9/426  
 D876,217 S \* 2/2020 Nouri ..... D9/425  
 2001/0002268 A1 5/2001 Hanson et al.  
 2003/0047474 A1 3/2003 Dahlson  
 2003/0192808 A1 10/2003 Clarizio et al.  
 2006/0138020 A1 6/2006 Hubbs et al.  
 2006/0144744 A1 7/2006 Rodriguez et al.  
 2006/0237454 A1 \* 10/2006 Clarke ..... B65D 75/22  
 220/4.21  
 2006/0289549 A1 12/2006 Vovan  
 2007/0095695 A1 5/2007 Smith  
 2008/0020120 A1 1/2008 O'Donnell Kiely  
 2008/0305218 A1 12/2008 Kahn  
 2009/0134209 A1 5/2009 Tonaltzin  
 2009/0206082 A1 8/2009 Vovan  
 2009/0211941 A1 8/2009 Maroofian et al.  
 2010/0155402 A1 6/2010 Maroofian et al.  
 2011/0215097 A1 9/2011 Archie, Jr. et al.

FOREIGN PATENT DOCUMENTS

EP 0420429 B1 11/1994  
 GB 2195318 B 10/1990

OTHER PUBLICATIONS

Pactiv Product for 12 Inch Cookie Container Product; <http://www.pactiv.com/pactiv/products/12x8h37524cc>.  
 D&W Fine Pack LLC Product Literature Brochure for Deli Containers, printed in 2017.

(56)

**References Cited**

OTHER PUBLICATIONS

Placon Crystal Seal refresh product containers <https://www.placon.com/news/new-recycled-post-consumer-pet-thermoformed-food-containers-put-spotlight-fresh-grab-go-foods/>, accessed Sep. 28, 2017.

Placon Crystal Seal refresh Tamper-Evident Tall Clear Angled Container Product Literature; <https://www.placon.com/products/stock-food-package/crystal-seal-refresh-tamper-evident-tall-clear-angled-container/>, accessed Sep. 28, 2017.

Placon Product Literature for tamper-evident rigid thermoformed Bakery & Deli containers, printed in 2017.

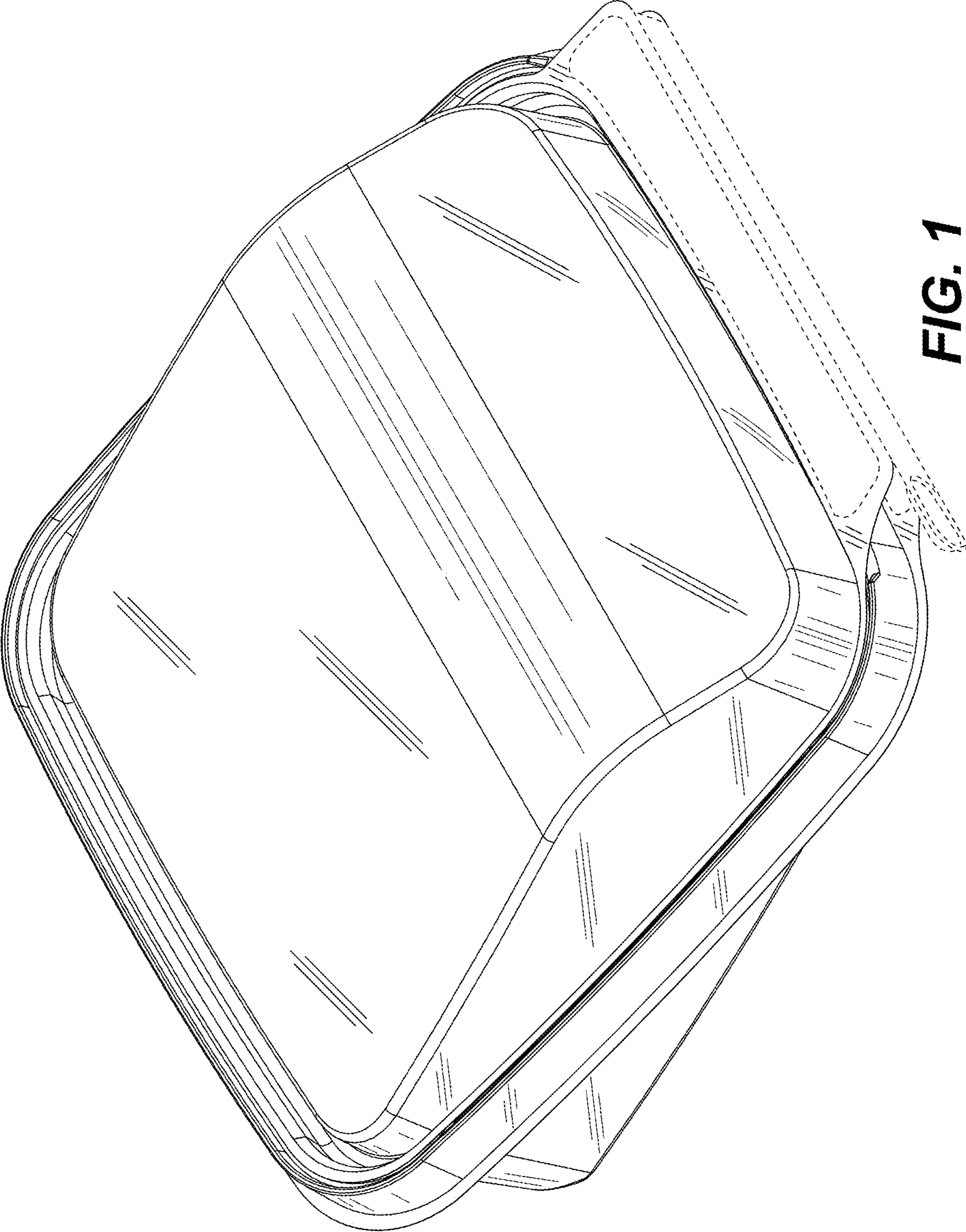
EcoStar Product Literature for RPET-F extruded PET food packaging.

SUNZZA brand Product Literature for BOPS disposable locking clamshell sandwich box for sale on Alibaba.com (web link no longer active).

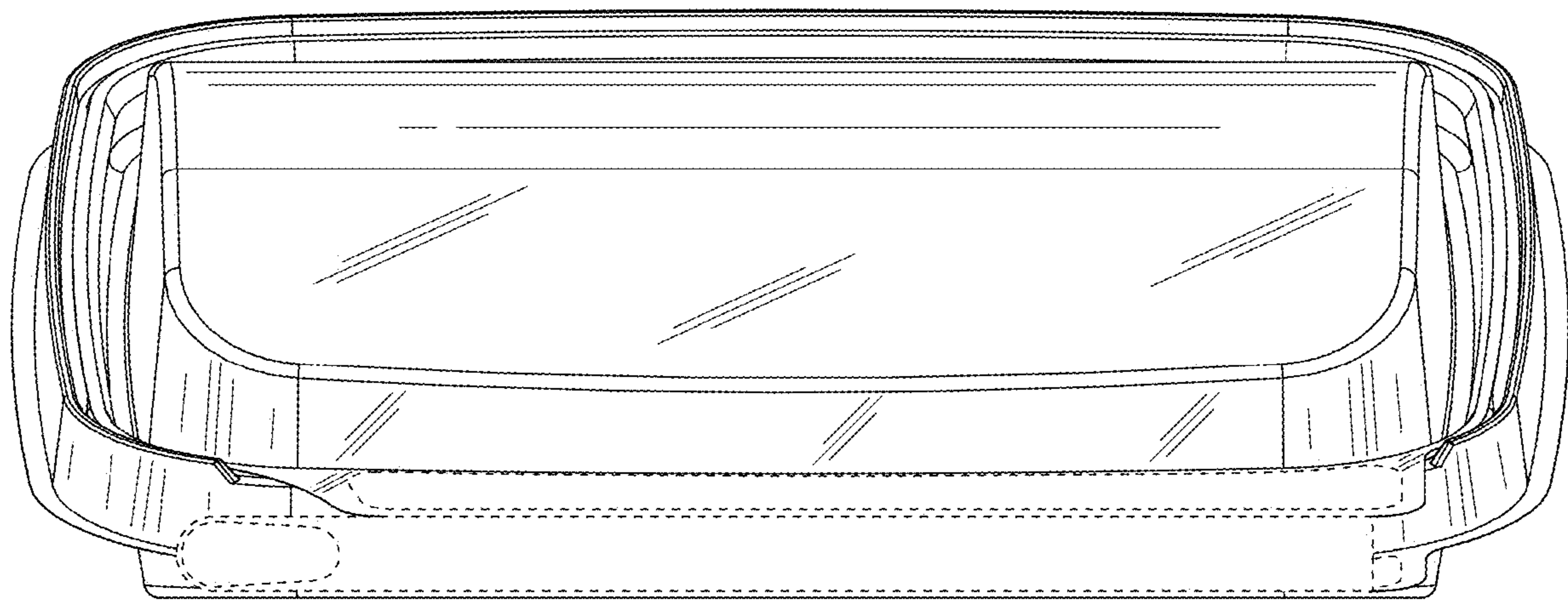
U.S. Appl. No. 16/003,738, filed Jun. 8, 2018.

\* cited by examiner

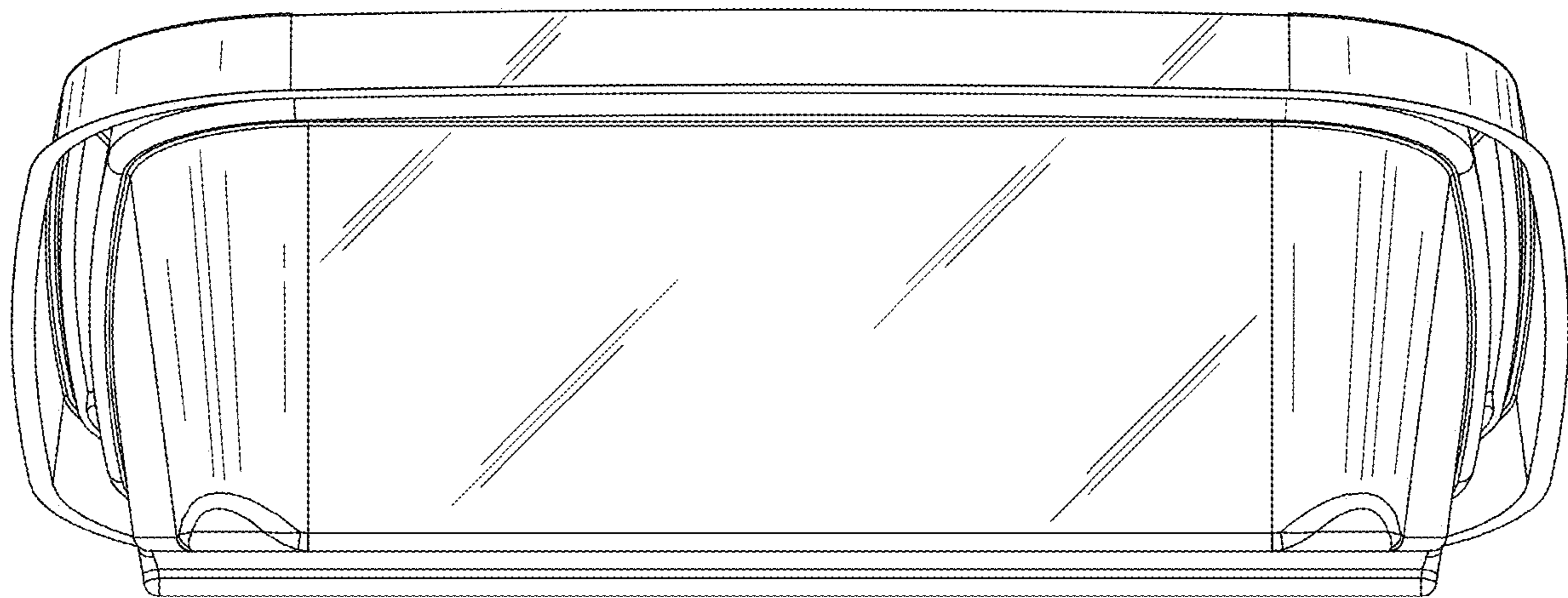




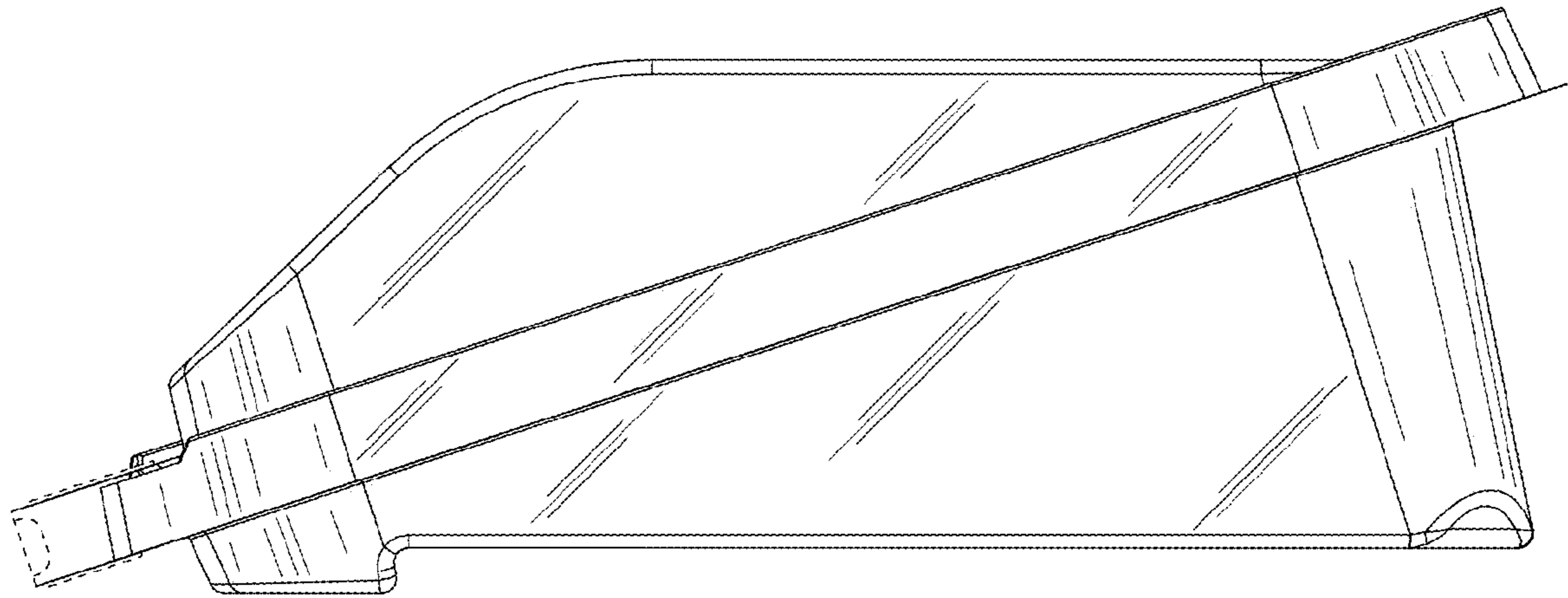
**FIG. 1**



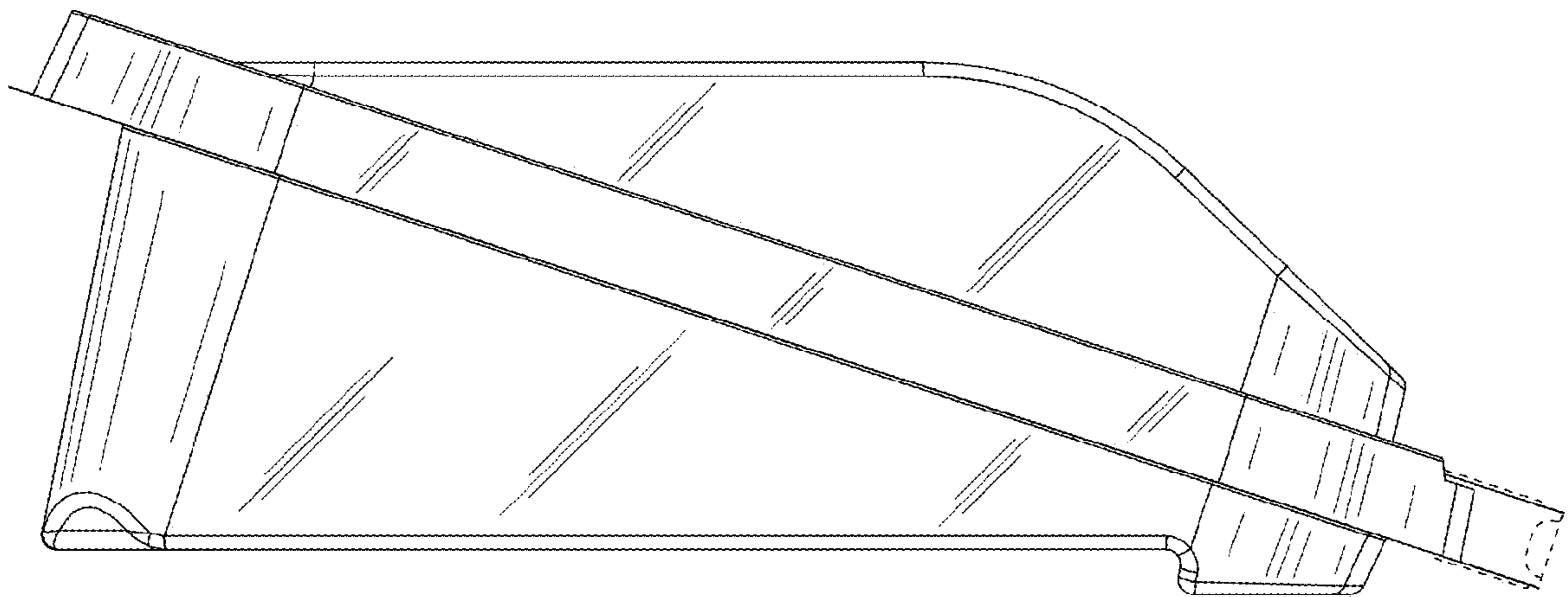
**FIG. 2**



**FIG. 3**

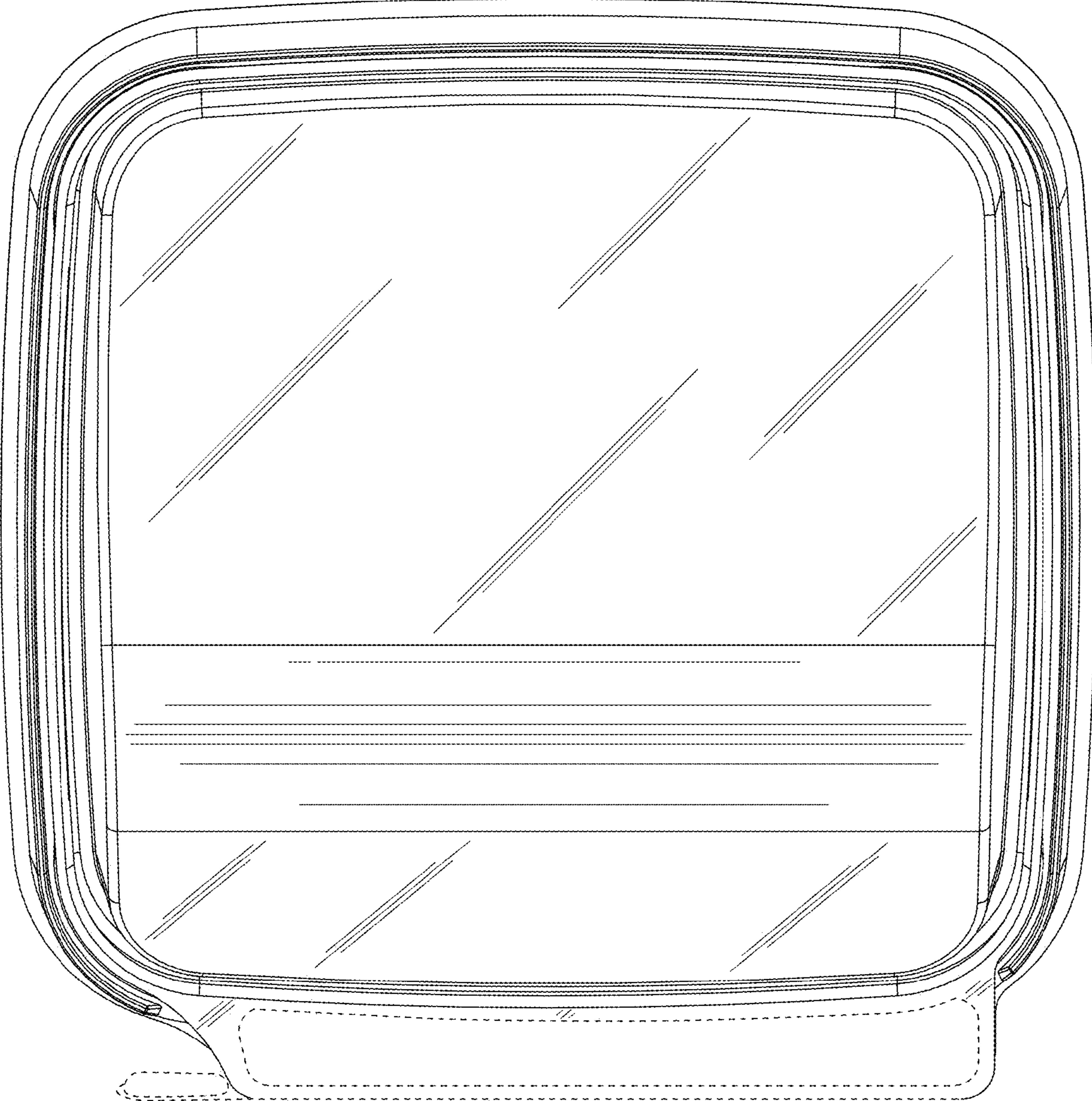


**FIG. 4**



**FIG. 5**



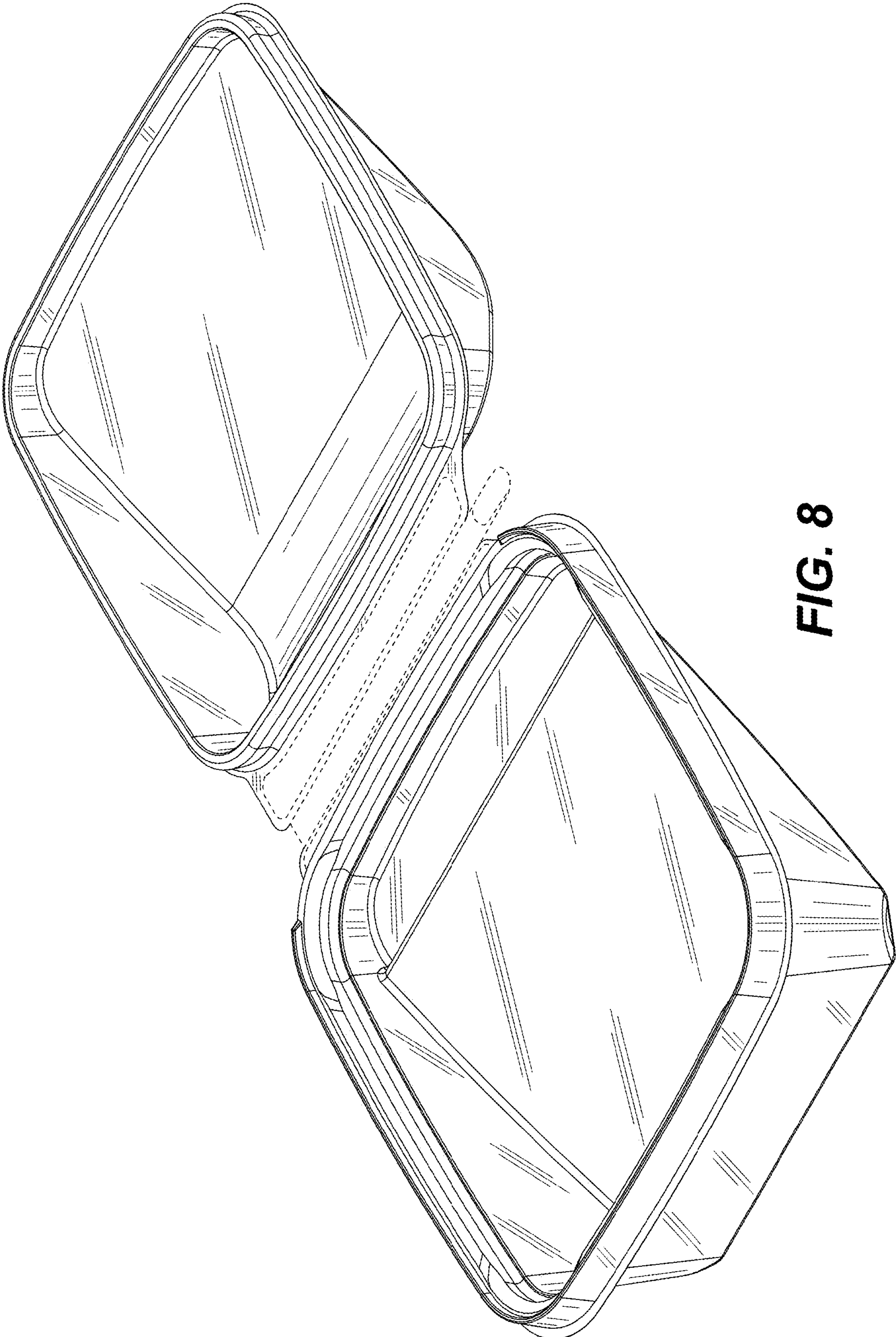


**FIG. 6**



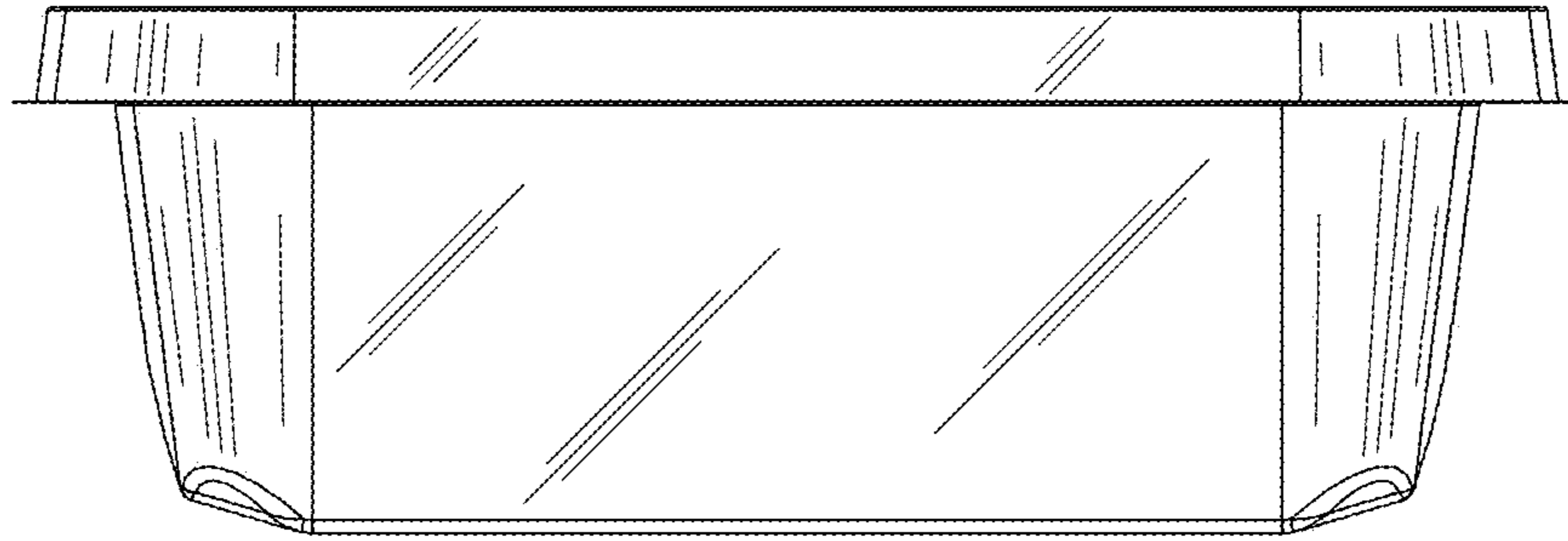


**FIG. 7**

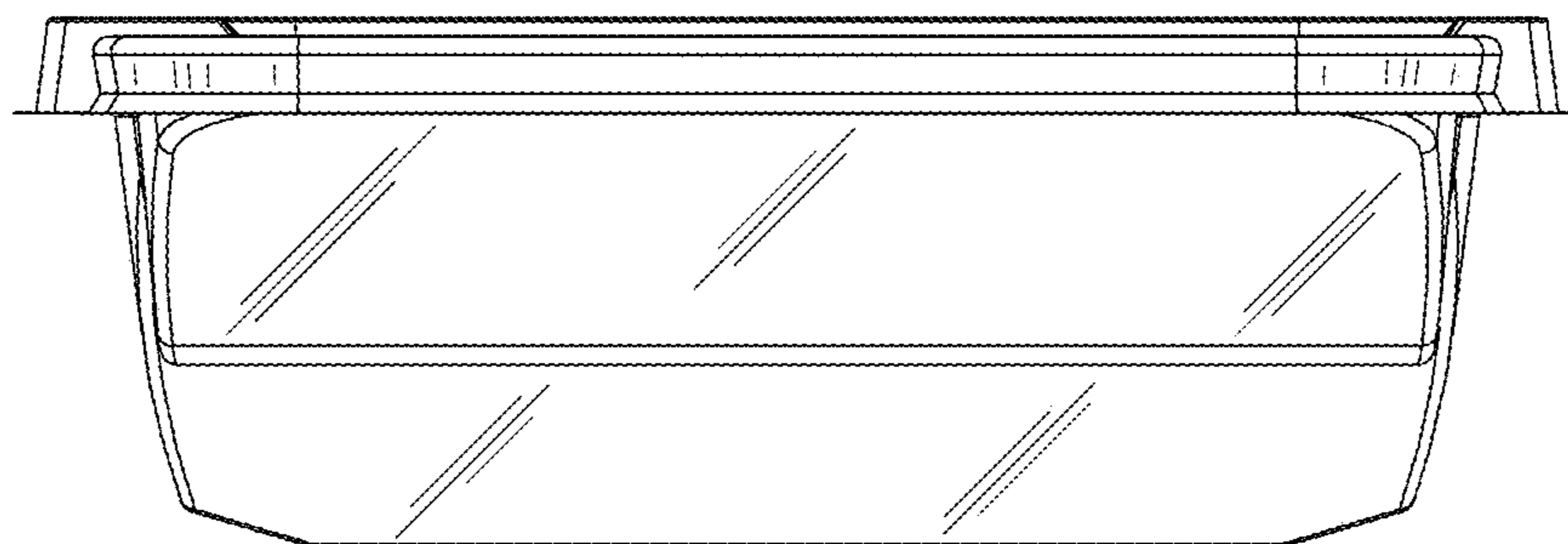


**FIG. 8**

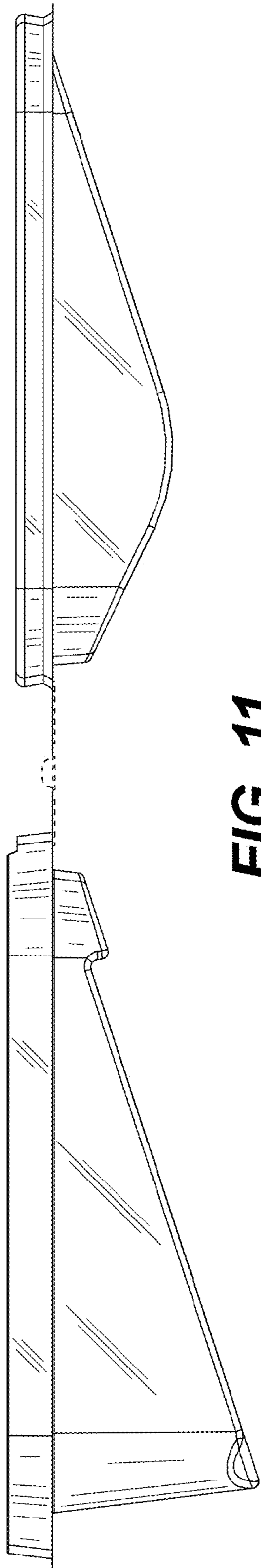




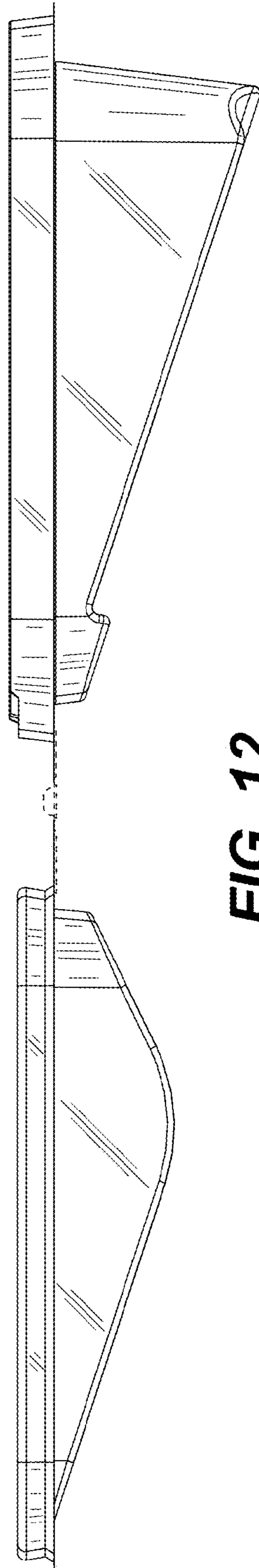
**FIG. 9**



**FIG. 10**

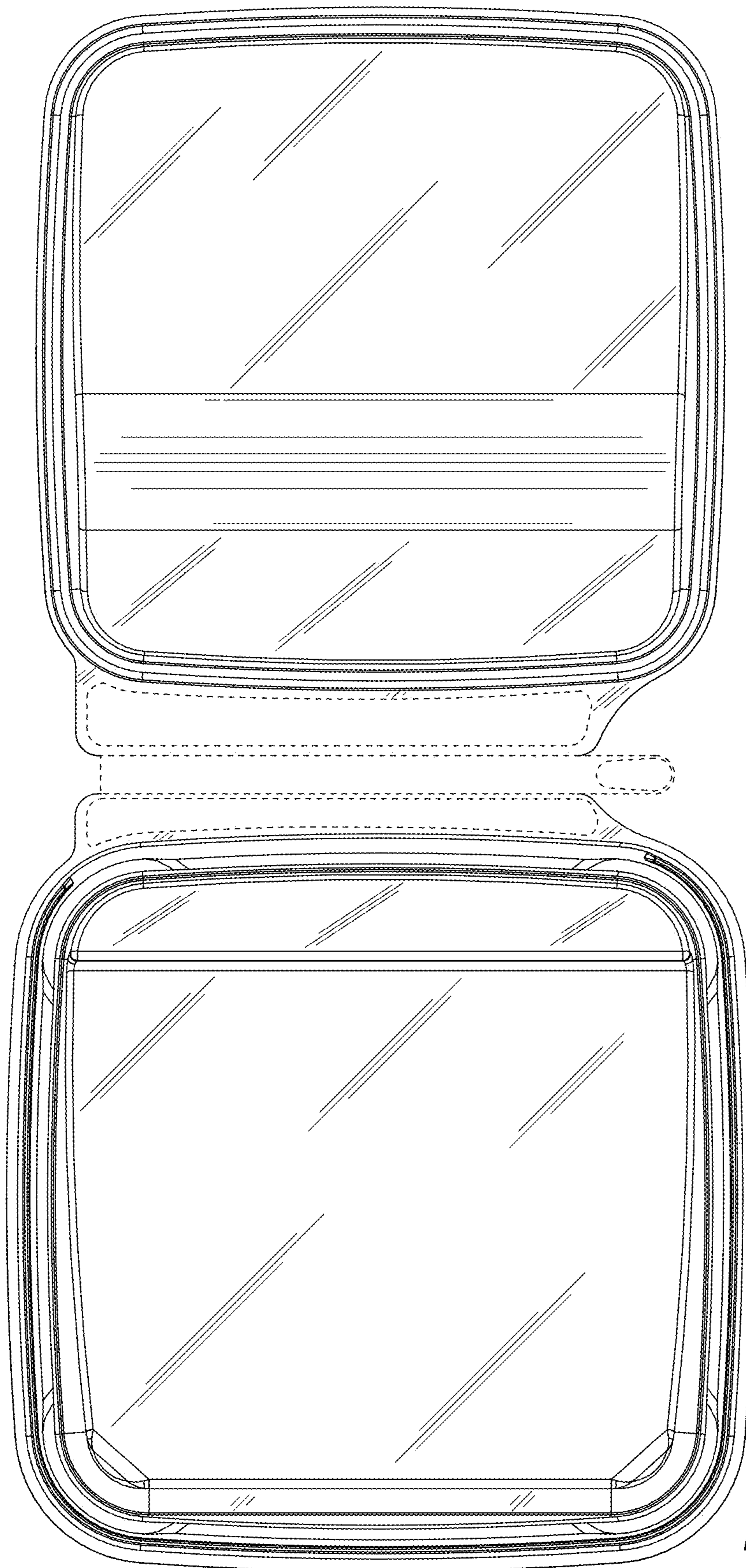


**FIG. 11**

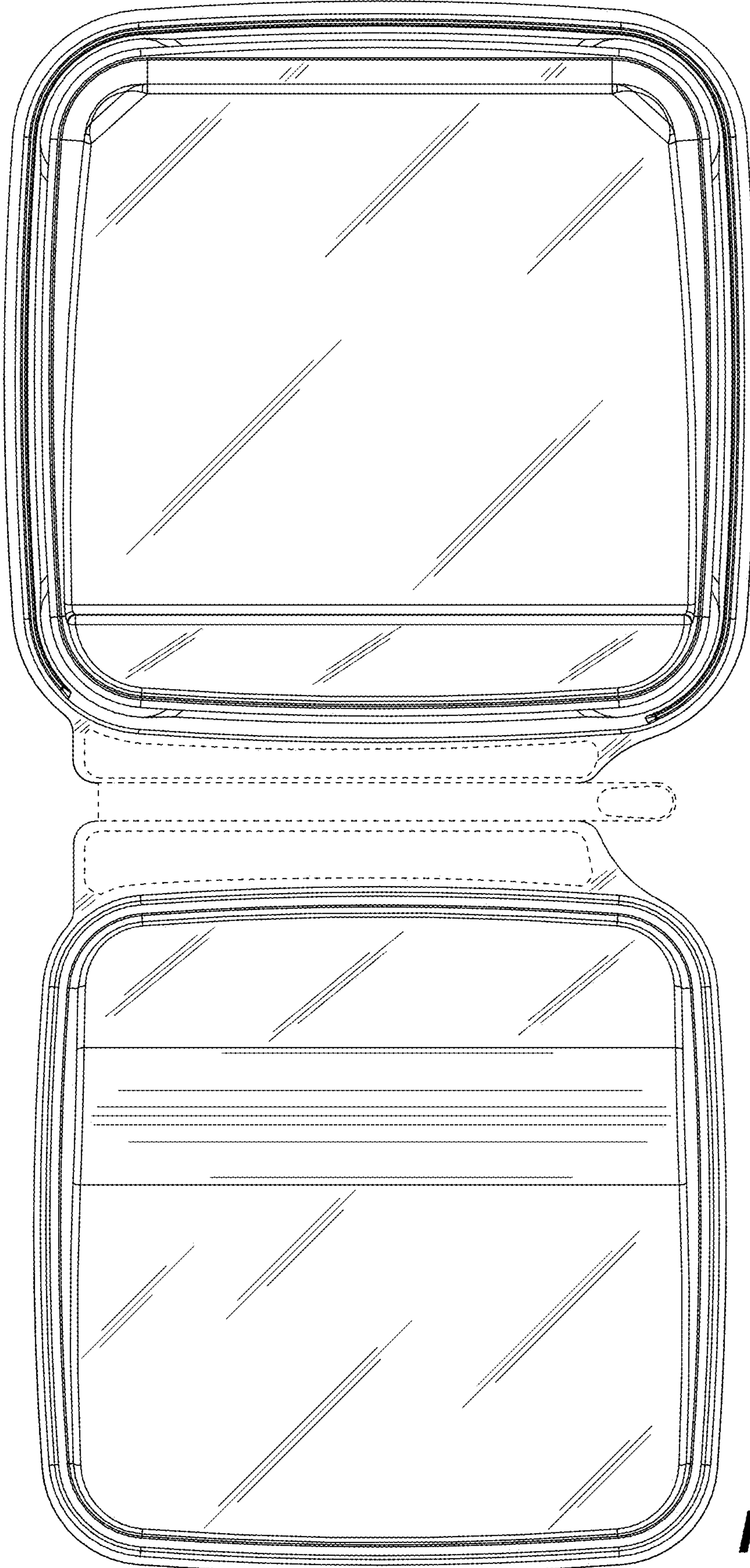


**FIG. 12**





**FIG. 13**



**FIG. 14**