



US00D897831S

(12) **United States Design Patent** (10) **Patent No.:** **US D897,831 S**
Hawry (45) **Date of Patent:** **** Oct. 6, 2020**

(54) **CONTAINER TRAY ASSEMBLY WITH CHILD RESISTANT SLEEVE**

(71) Applicant: **Berlin Packaging, LLC**, Chicago, IL (US)

(72) Inventor: **Liam Hawry**, Chicago, IL (US)

(73) Assignee: **Berlin Packaging, LLC**, Chicago, IL (US)

(**) Term: **15 Years**

(21) Appl. No.: **29/666,089**

(22) Filed: **Oct. 10, 2018**

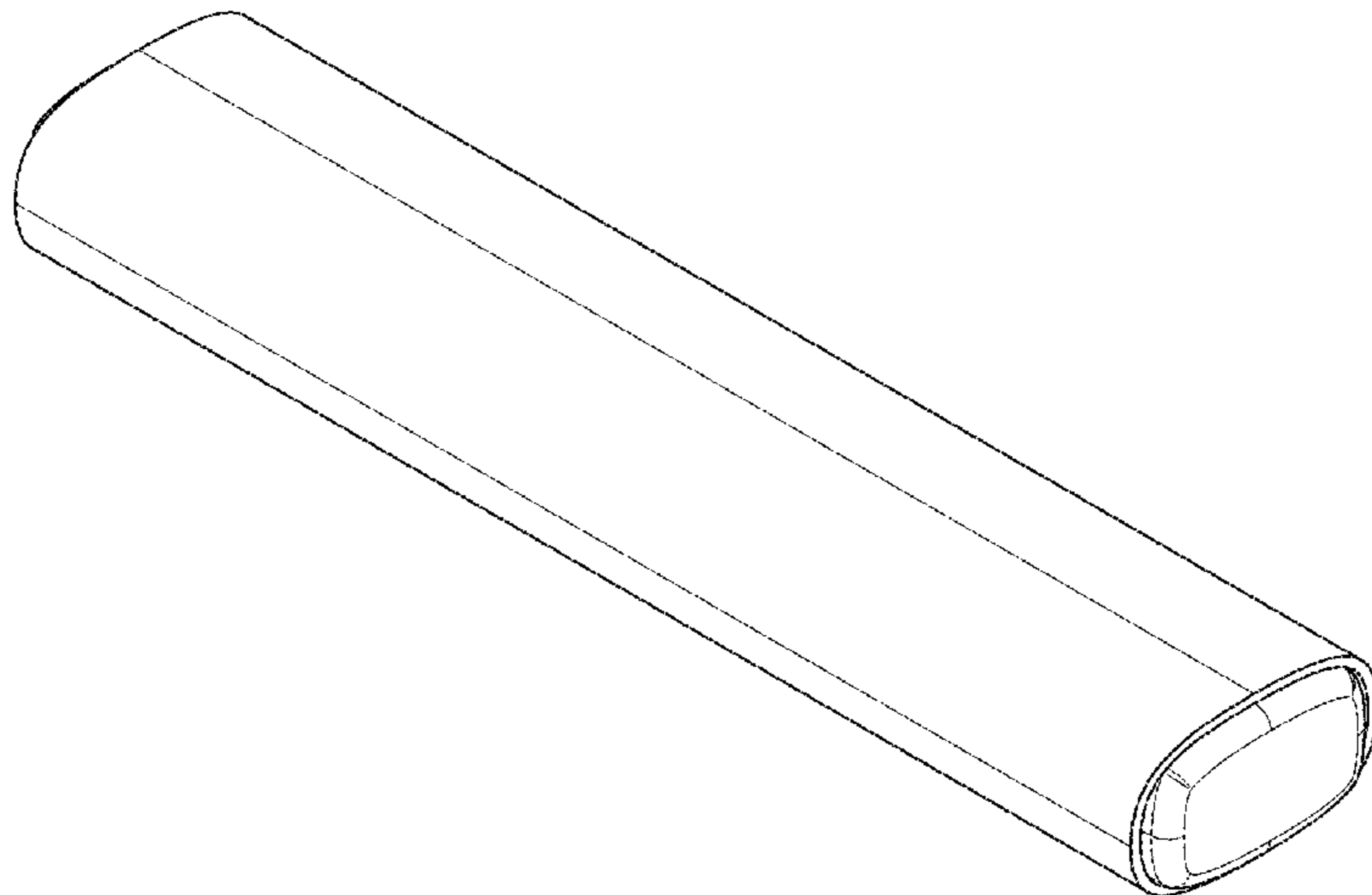
(51) **LOC (12) Cl.** **09-03**

(52) **U.S. Cl.**
USPC **D9/414**

(58) **Field of Classification Search**
USPC D28/76-85, 88, 90, 99; D9/414, 424, D9/430, 432, 456, 499, 503, 529, 516, D9/556, 686, 738; D24/121, 227, 229, D24/231; D3/203.1, 203.2; D27/172, D27/186
CPC A45D 33/00; A45D 33/003; A45D 33/006; A45D 33/008; A45D 33/025; A45D 33/06; A45D 33/14; A45D 33/18; A45D 33/22; A45D 33/24; A45D 33/26; A45D 34/048; A45D 34/06; A45D 40/00; A45D 40/0068; A45D 4/02; A45D 40/023; A45D 40/026; A45D 40/04; A45D 40/06; A45D 4/065; A45D 40/10; A45D 40/12; A45D 40/18; A45D 40/22; A45D 40/222; A45D 40/24; A45D 40/262; A45D 40/264; A45D 40/265; A45D 42/00; A45D 42/02; A45D 42/04
See application file for complete search history.

(56) **References Cited**
U.S. PATENT DOCUMENTS
2,377,120 A 3/1932 Apfelbaum
2,236,224 A 3/1939 Raschkind

2,751,135 A 5/1953 Kessler
2,857,070 A 10/1958 Elias
3,262,747 A 7/1966 Kotzek et al.
3,395,849 A 8/1968 Gilliam
3,582,171 A * 6/1971 McArdle A45C 13/16
312/224
3,648,918 A 3/1972 Van Inwagen
3,749,230 A 7/1973 Foster
3,782,584 A 1/1974 Swenson et al.
3,833,143 A 9/1974 Starkermann et al.
3,888,350 A 6/1975 Horvath
3,894,654 A 7/1975 Frankenberg
3,987,891 A 10/1976 Horvath
4,043,448 A 8/1977 Tanaka
4,113,098 A 9/1978 Howard
4,126,224 A 11/1978 Laauwe et al.
4,174,034 A 11/1979 Hoo
4,284,204 A 8/1981 Carey, Jr.
4,364,488 A 12/1982 Anjou
4,401,210 A 8/1983 Anjou
4,561,544 A 12/1985 Reeve
4,817,819 A 4/1989 Kelly
4,844,284 A 7/1989 Drozd et al.
D303,927 S * 10/1989 Weber D9/521
4,890,742 A 1/1990 Allison
5,022,529 A * 6/1991 Kang A45D 40/22
206/581
5,080,222 A 1/1992 McNary
5,082,137 A 1/1992 Weinstein
5,275,291 A 1/1994 Sledge
5,620,109 A 4/1997 Madden
D398,241 S * 9/1998 Krebs D9/435
D399,599 S * 10/1998 McKinnie D27/189
5,878,887 A 3/1999 Parker et al.
5,915,558 A 6/1999 Girvetz
5,950,816 A 9/1999 Reid
6,021,901 A 2/2000 Wolfe
6,173,838 B1 1/2001 Brozell
6,230,917 B1 5/2001 Whitnell
6,460,693 B1 10/2002 Harrold
D456,729 S 11/2002 Nishimura
6,491,211 B1 12/2002 Evans et al.
6,557,700 B1 5/2003 Wharton
6,662,081 B1 12/2003 Jacober et al.
6,789,677 B2 9/2004 Maietta
7,090,079 B2 8/2006 Ehrlund
D554,805 S * 11/2007 Moon D28/84
7,464,819 B2 12/2008 Maietta
7,581,642 B2 9/2009 Knutson et al.
7,588,149 B2 9/2009 Gelardi
7,591,372 B2 9/2009 Gelardi et al.
7,617,935 B2 11/2009 Reilley et al.
7,708,142 B2 5/2010 Ehrlund



7,757,843	B2	7/2010	Katsis	
7,854,325	B2	12/2010	Bentele	
7,946,450	B2	5/2011	Gelardi et al.	
7,967,144	B2	6/2011	Sack et al.	
D648,630	S *	11/2011	Doster	D19/83
8,066,121	B2	11/2011	Sack et al.	
8,066,123	B2	11/2011	Gelardi	
D655,165	S *	3/2012	Jensen	B65D 25/10 D9/456
8,162,144	B2	4/2012	Intini	
8,205,752	B2	6/2012	Sack et al.	
8,281,930	B2	10/2012	Lee et al.	
8,453,840	B2	6/2013	Wharton	
8,499,936	B2	8/2013	Albrecht et al.	
8,602,218	B2	12/2013	Grosskopf	
8,672,134	B2	3/2014	Sprada et al.	
D720,525	S *	1/2015	Magno	D3/203.2
8,936,188	B2	1/2015	Mazurek	
9,060,919	B2	6/2015	Babineau	
D733,565	S *	7/2015	Leventhal	D28/83
D740,117	S *	10/2015	Nichols	D9/456
9,248,935	B2	2/2016	Bailey et al.	
9,346,594	B2	5/2016	Pipes et al.	
D764,285	S *	8/2016	Akana	D9/432
9,452,877	B2	9/2016	Grosskopf	
D790,964	S *	7/2017	Akana	D9/424
9,725,206	B2	8/2017	Linssen	
D800,549	S *	10/2017	Delle Cese	D9/419
9,926,125	B2	3/2018	Whitehurst	
9,938,042	B1	4/2018	Aryanpanah et al.	
9,981,788	B2	5/2018	Skinner	
9,994,353	B2	6/2018	Patwardhan et al.	
D835,338	S *	12/2018	Oligschlaeger	D27/186
2004/0055903	A1	3/2004	Nishimura	
2007/0045150	A1	3/2007	Huffer et al.	
2007/0251983	A1	11/2007	Freeze	
2010/0212686	A1 *	8/2010	Lai	A45D 33/20 132/287
2011/0067363	A1 *	3/2011	Sprada	B65D 83/0463 53/492
2011/0114512	A1	5/2011	Gelardi	
2014/0339121	A1	11/2014	Gelardi et al.	
2016/0001937	A1 *	1/2016	Skinner	B65D 50/046 206/1.5
2017/0119044	A1	5/2017	Oligschlaeger et al.	
2017/0166365	A1	6/2017	Kidd	
2018/0257827	A1	9/2018	Drosos et al.	

FOREIGN PATENT DOCUMENTS

CN	105012141	11/2015
CN	104648749	10/2017
GB	1494313	12/1977
JP	2000118578	4/2000
JP	2006001615	1/2006
JP	2008074414	4/2008
WO	199424008	10/1994
WO	200115998	3/2001
WO	2010015638	2/2010
WO	2018128188	12/2018

* cited by examiner

Primary Examiner — Catherine S Posthauer

Assistant Examiner — Alison M Ofstun

(74) Attorney, Agent, or Firm — Adam K. Sacharoff;
Much Shelist, P.C.

(57) CLAIM

The ornamental design for a container tray assembly with child resistant sleeve, as shown and described.

DESCRIPTION

FIG. 1 is a top, front, left side, perspective view for a container tray assembly with child resistant sleeve showing the new design;
 FIG. 2 is a bottom rear right side perspective view thereof;
 FIG. 3 is a top plan view thereof;
 FIG. 4 is a bottom plan view thereof;
 FIG. 5 is a front elevation view thereof;
 FIG. 6 is a rear elevation view thereof;
 FIG. 7 is a left side view thereof;
 FIG. 8 is a right side view thereof;
 FIG. 9 is a top, front, left side, perspective view thereof, shown in a position of use;
 FIG. 10 is a bottom side perspective view thereof;
 FIG. 11 is another top front side perspective view thereof;
 FIG. 12 is a top plan view thereof;
 FIG. 13 is a bottom plan view thereof;
 FIG. 14 is a front elevation view thereof;
 FIG. 15 is a rear elevation view thereof;
 FIG. 16 is a left side view thereof;
 FIG. 17 is a right side view thereof;
 FIG. 18 is a top, front, left side, perspective view thereof;
 FIG. 19 is a bottom side perspective view thereof;
 FIG. 20 is a top plan view thereof;
 FIG. 21 is a bottom plan view thereof;
 FIG. 22 is a left side view thereof;
 FIG. 23 is a right side view thereof;
 FIG. 24 is a front elevation view thereof;
 FIG. 25 is a rear elevation view thereof;
 FIG. 26 is a top, front, left side, perspective view of a second embodiment of a container tray assembly with child resistant sleeve;
 FIG. 27 is a bottom rear right side perspective view thereof;
 FIG. 28 is a top plan view thereof;
 FIG. 29 is a bottom plan view thereof;
 FIG. 30 is a front elevation view thereof;
 FIG. 31 is a rear elevation view thereof;
 FIG. 32 is a left side view thereof;
 FIG. 33 is a right side view thereof;
 FIG. 34 is a top, front, left side, perspective view thereof, shown in a position of use;
 FIG. 35 is a bottom side perspective view thereof;
 FIG. 36 is another top front side perspective view thereof;
 FIG. 37 is another bottom side perspective view thereof;
 FIG. 38 is a top plan view thereof;
 FIG. 39 is a bottom plan view thereof;
 FIG. 40 is a front elevation view thereof;
 FIG. 41 is a rear elevation view thereof;
 FIG. 42 is a left side view thereof;
 FIG. 43 is a right side view thereof;
 FIG. 44 is a top, front, left side, perspective, exploded view thereof;
 FIG. 45 is a bottom side perspective view thereof;
 FIG. 46 is a top plan view thereof;
 FIG. 47 is a bottom plan view thereof;
 FIG. 48 is a front elevation view thereof;
 FIG. 49 is a rear elevation view thereof;
 FIG. 50 is a left side view thereof; and,
 FIG. 51 is a right side view thereof.
 The broken lines are shown for the purpose of illustrating portions of the article which form no part of the claimed design.

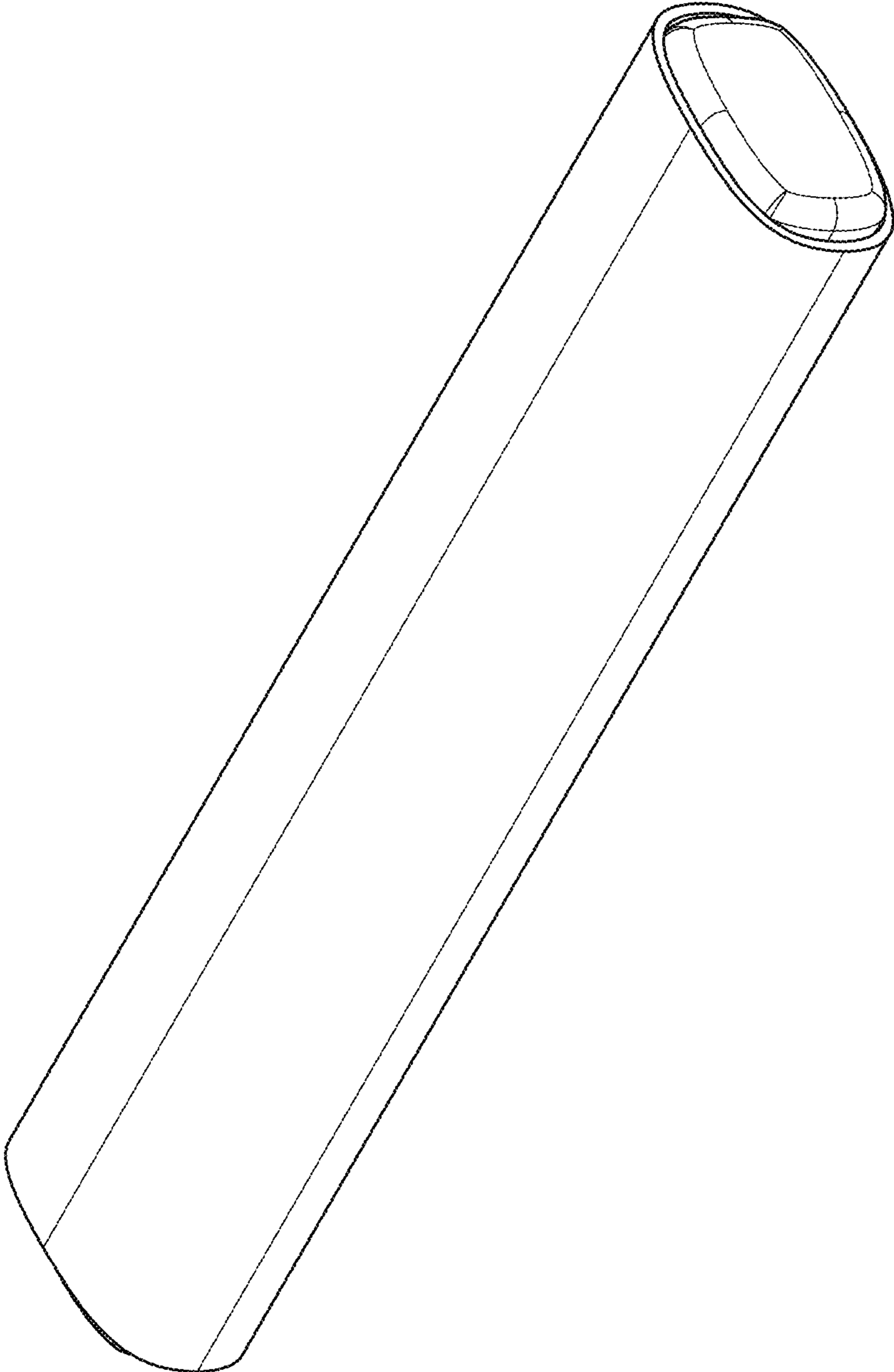


FIG. 1

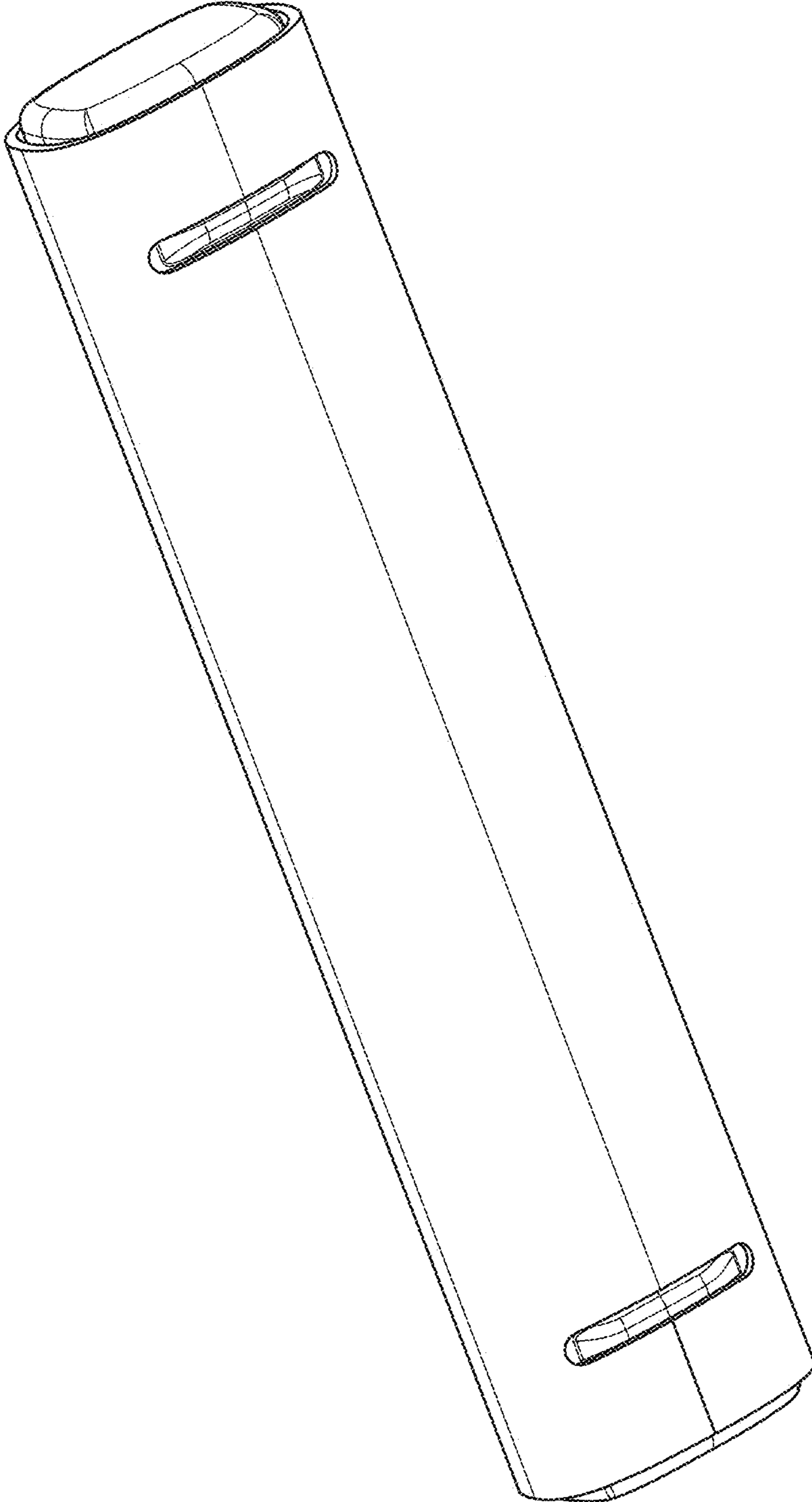


FIG. 2

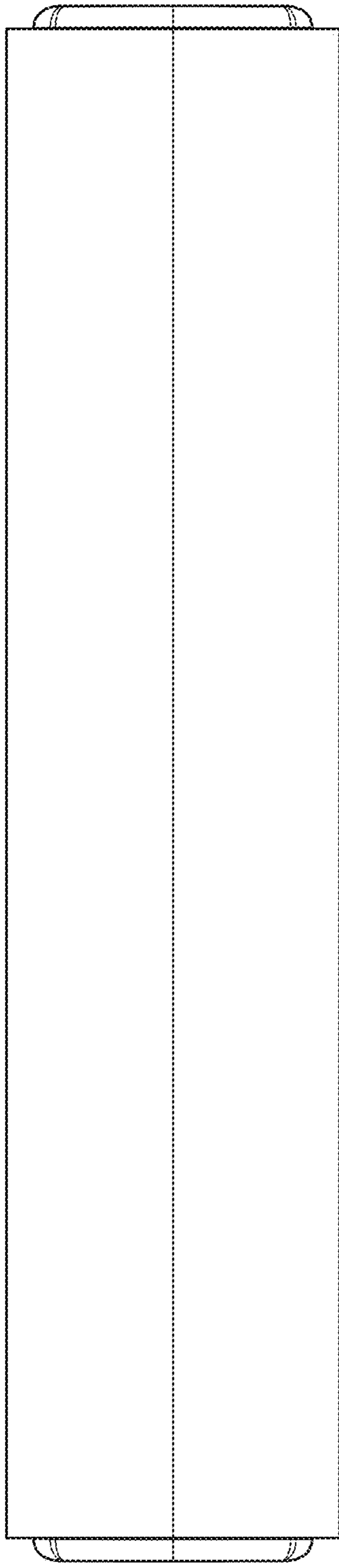


FIG. 3

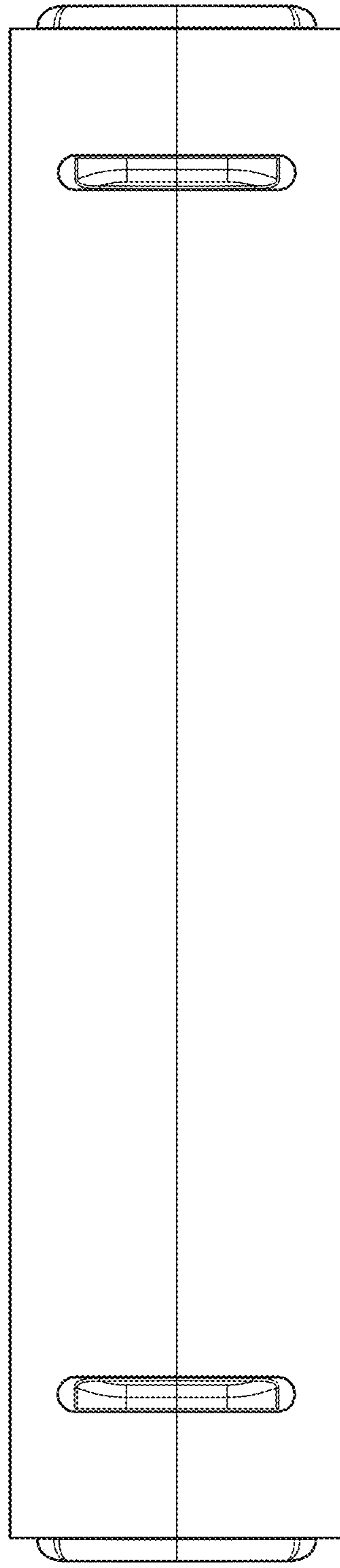


FIG. 4

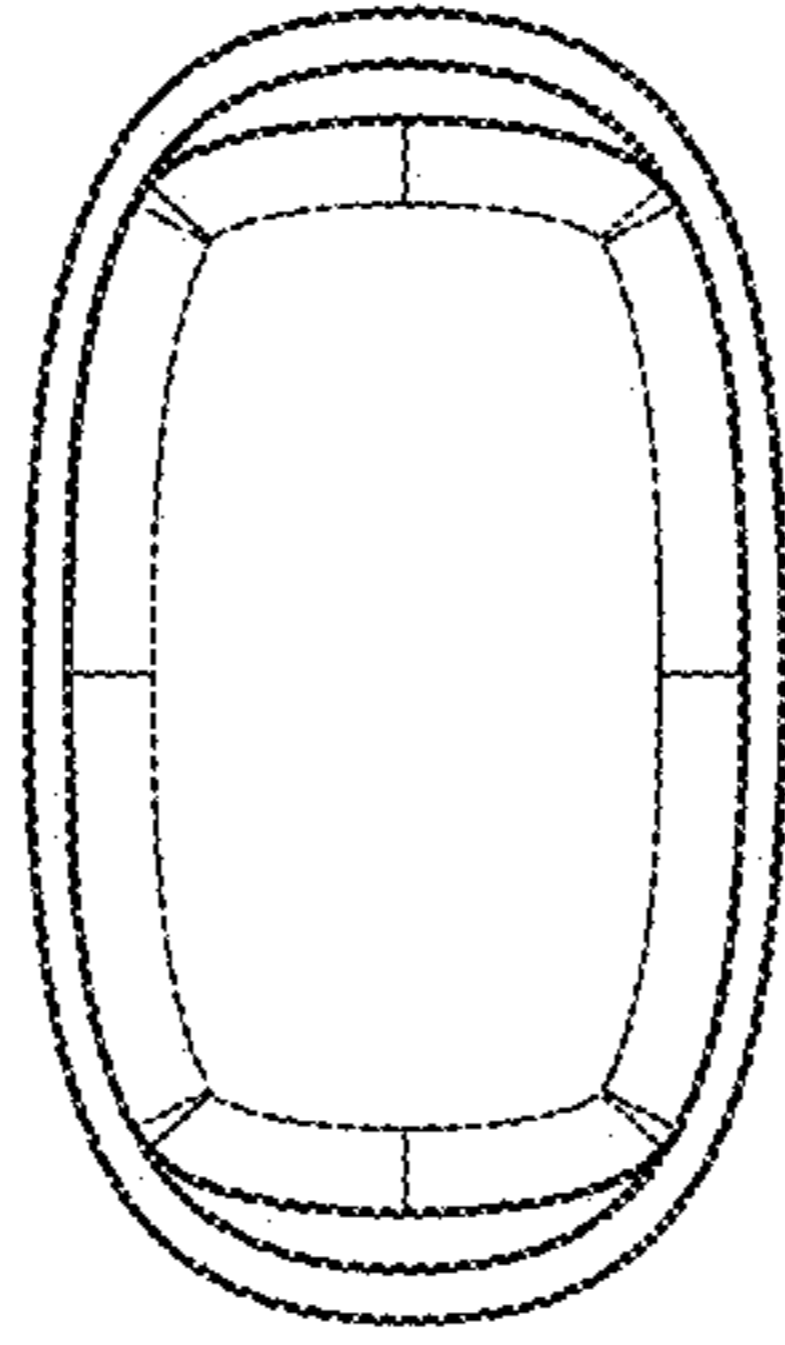


FIG. 6

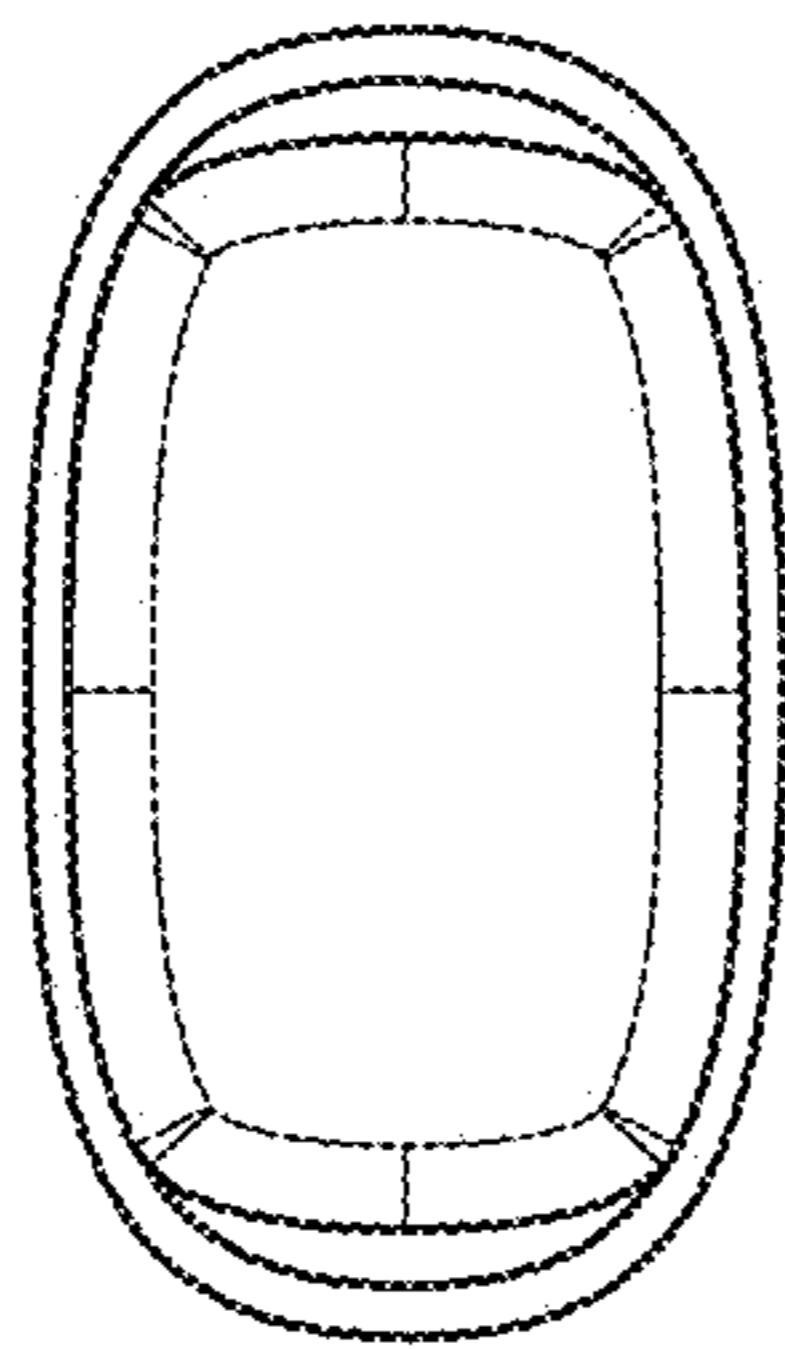


FIG. 5

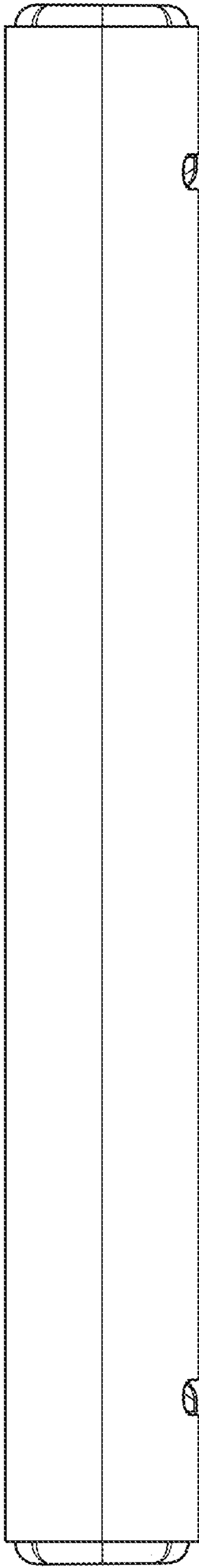


FIG. 7

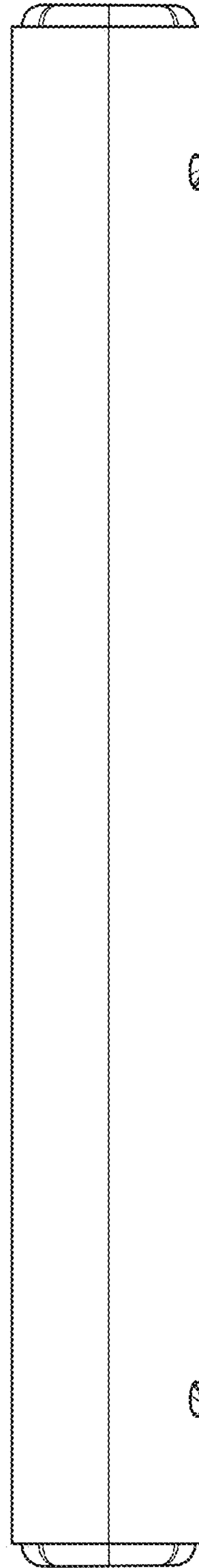


FIG. 8

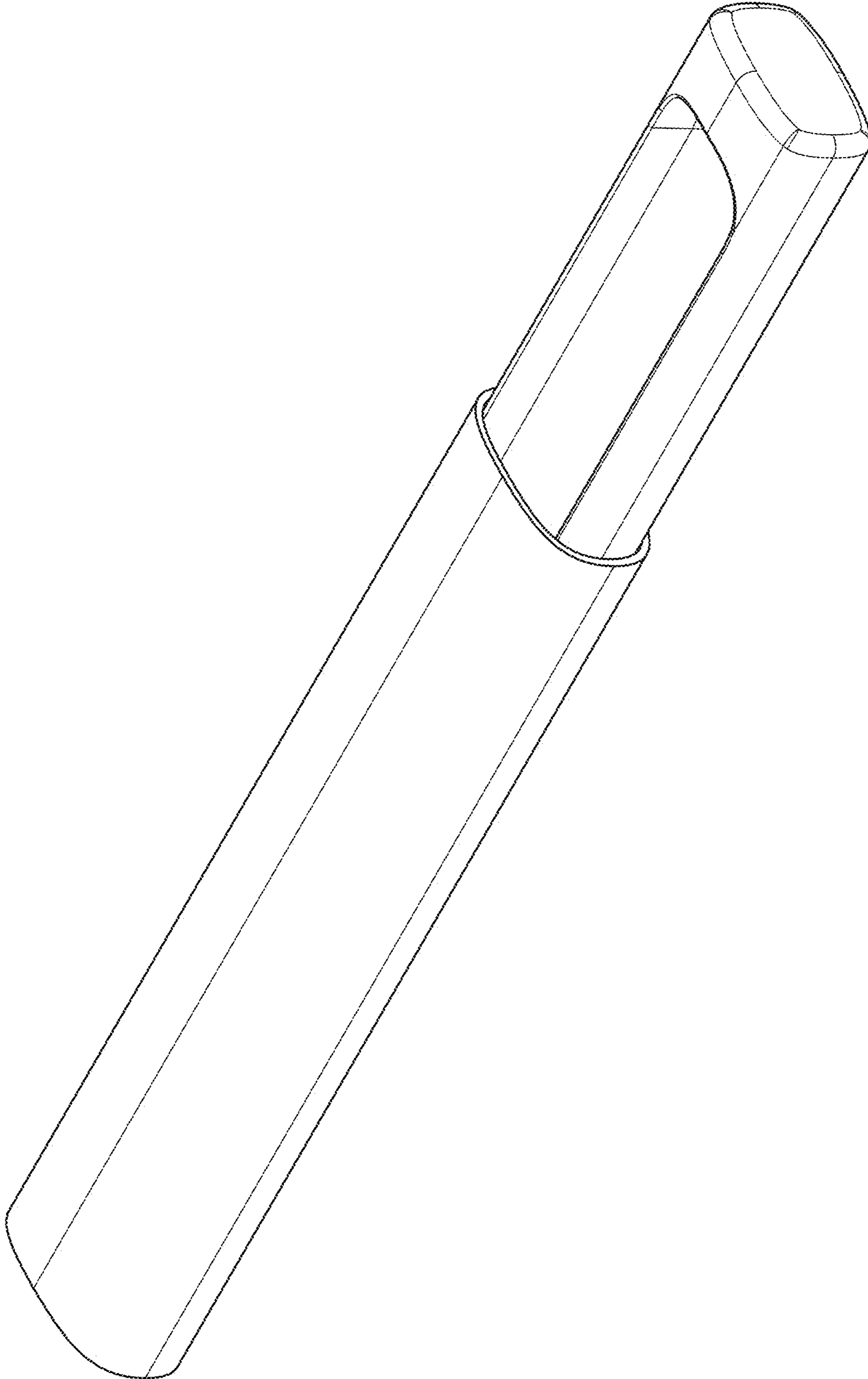


FIG. 9

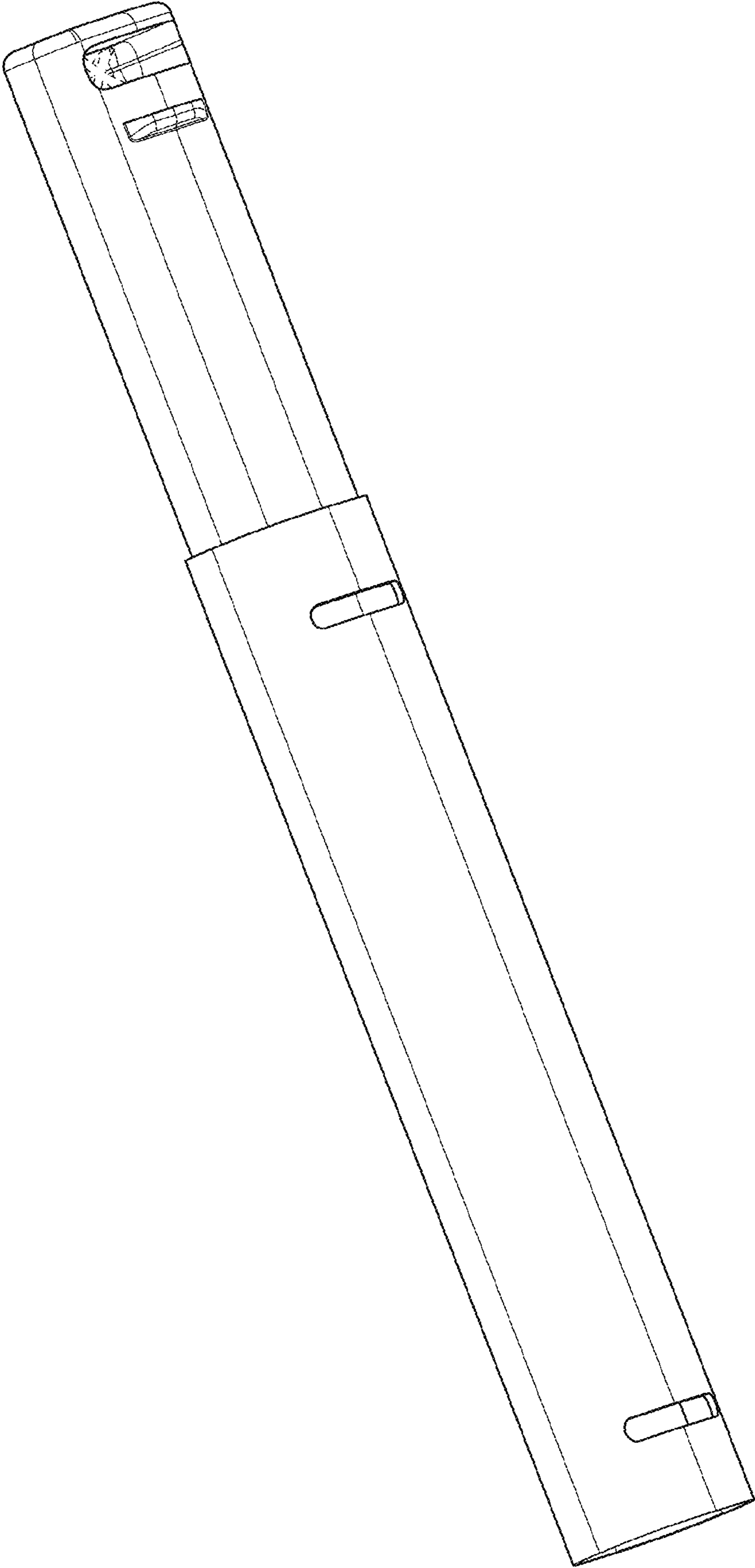


FIG. 10

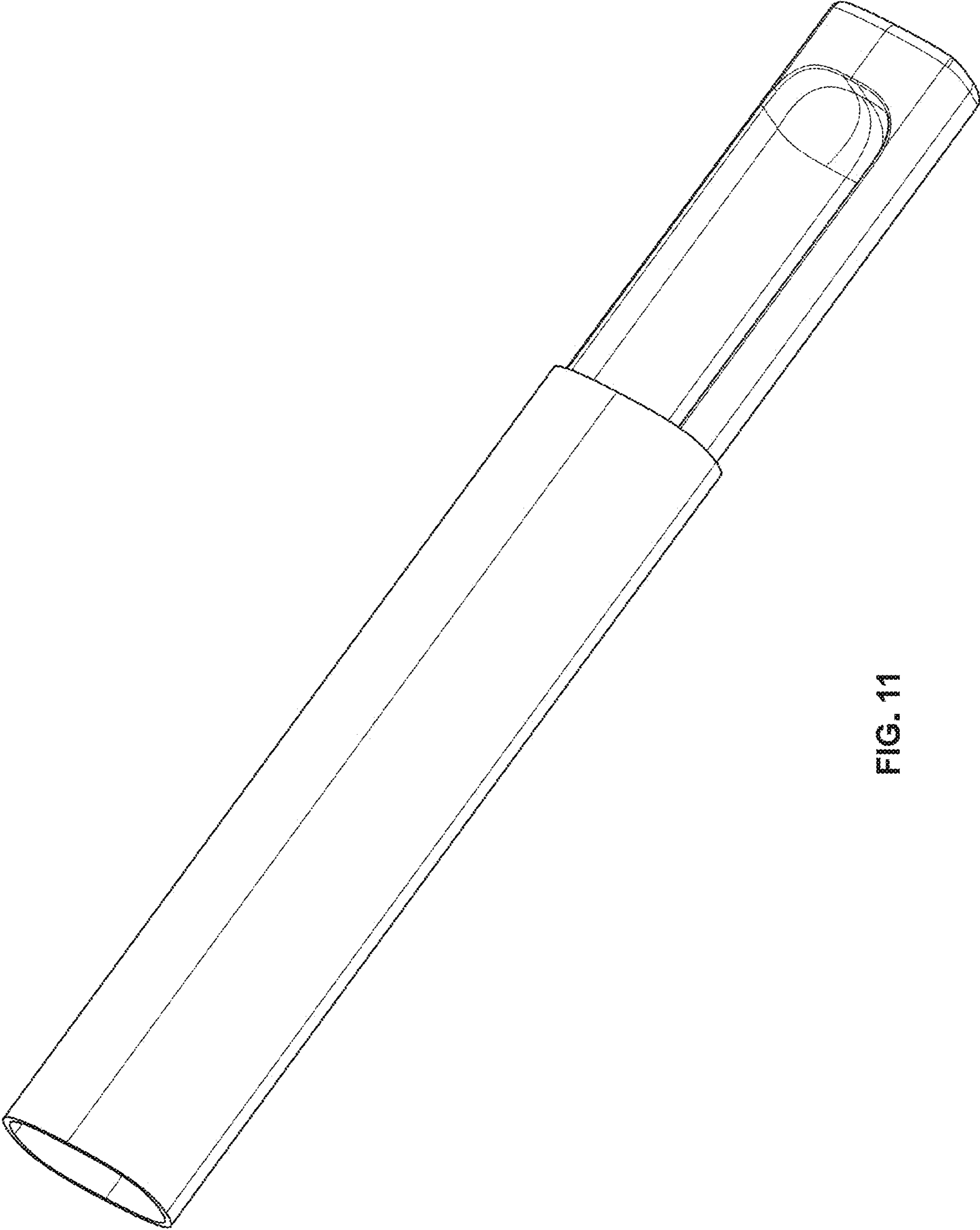


FIG. 11

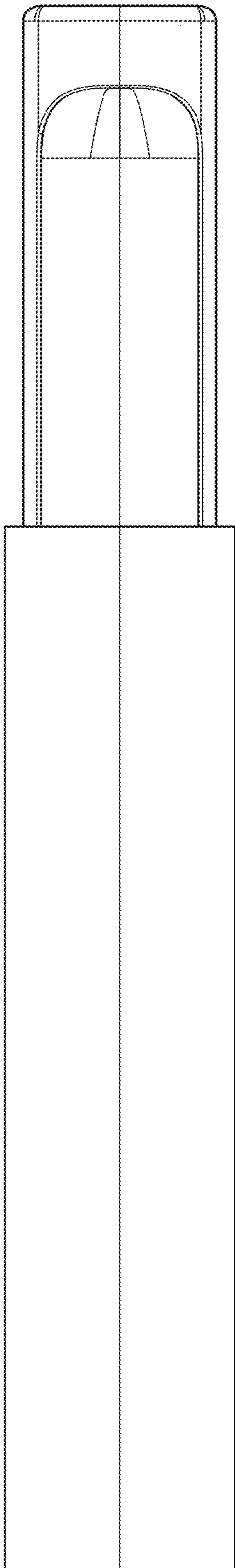


FIG. 12

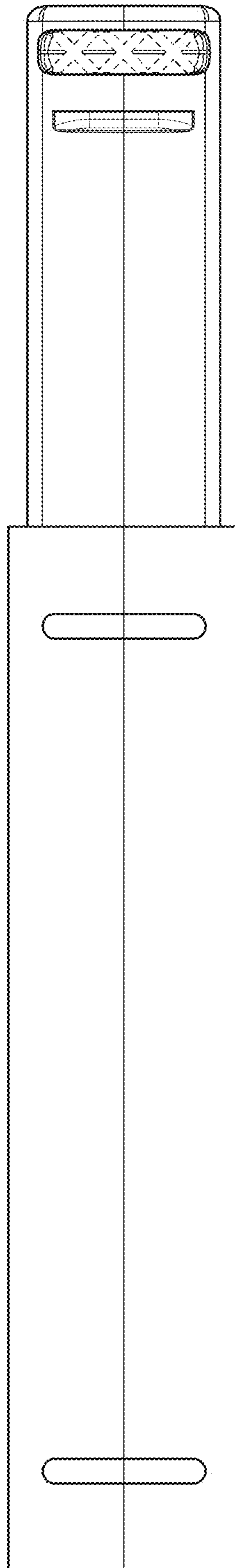


FIG. 13

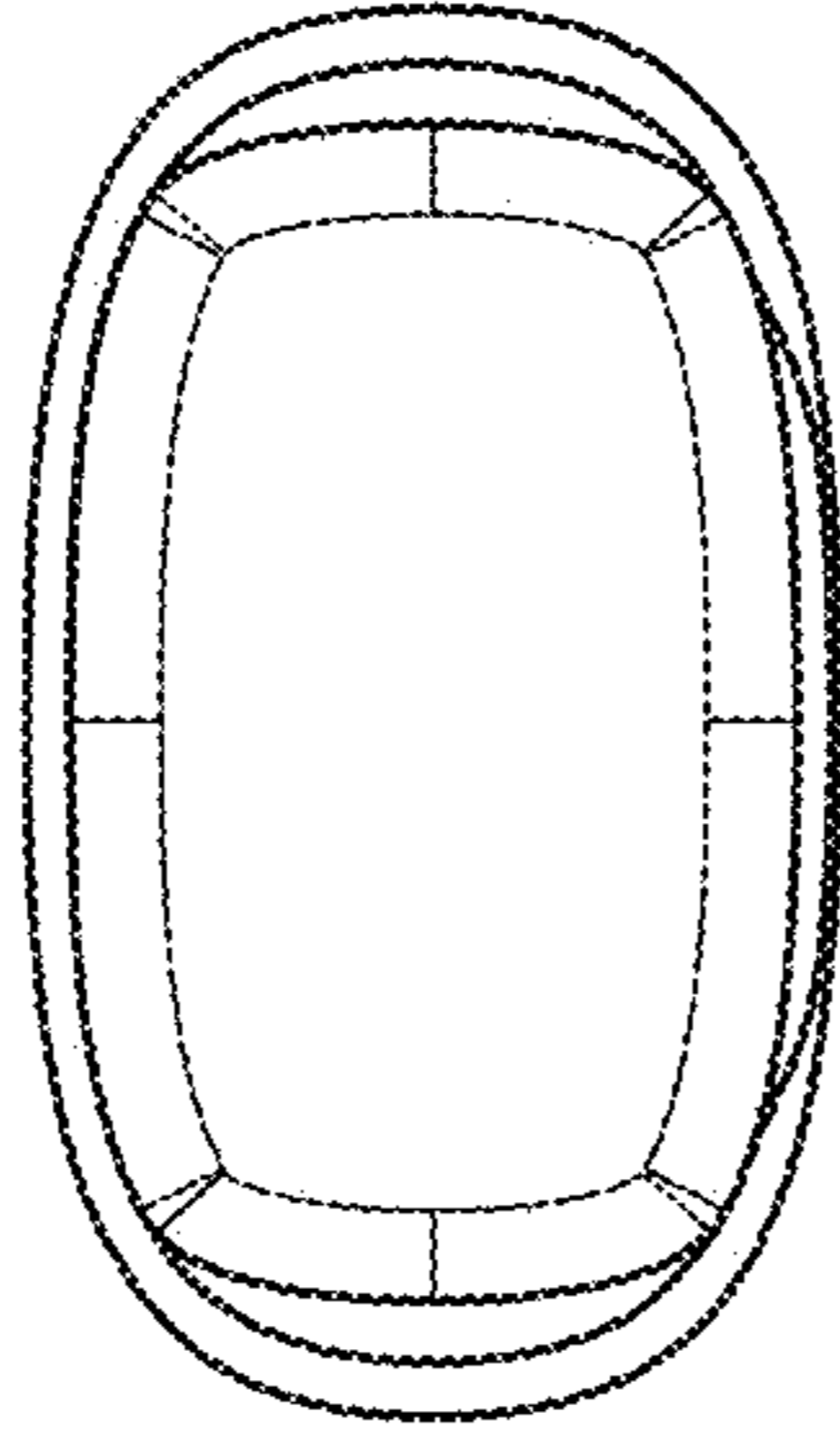


FIG. 15

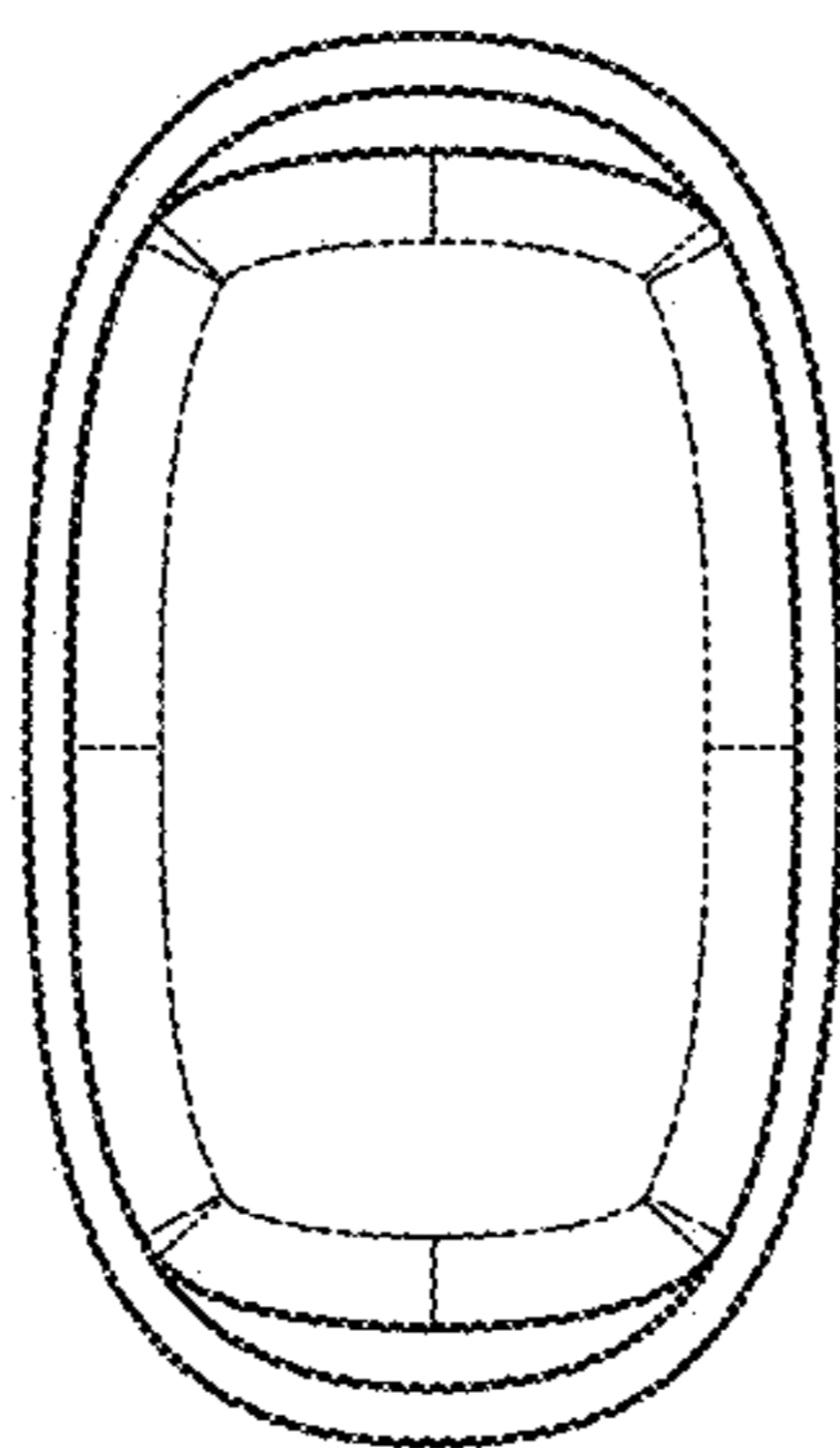


FIG. 14

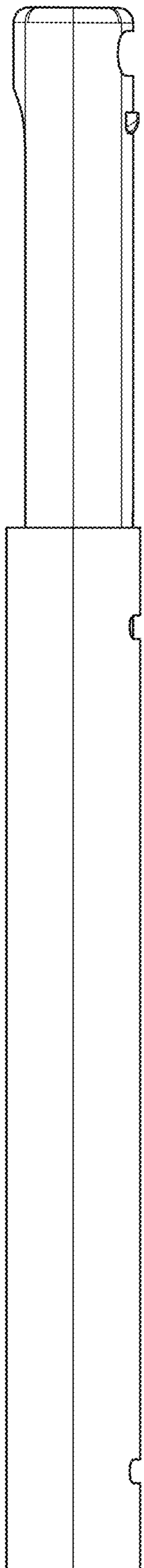


FIG. 16

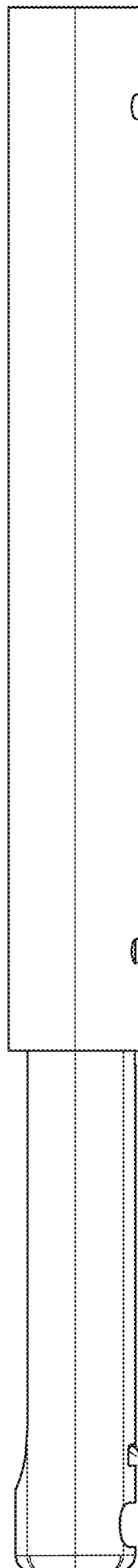


FIG. 17

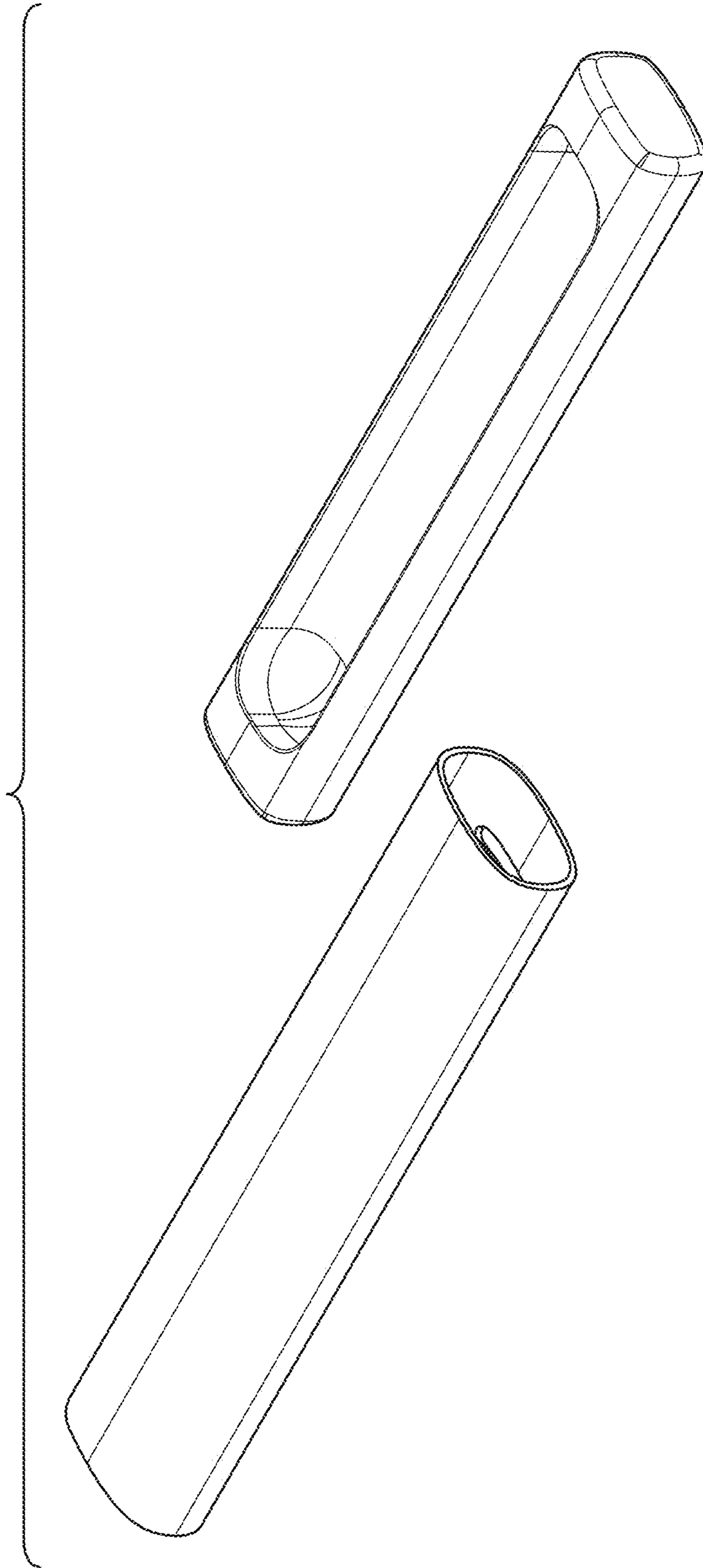


FIG. 18

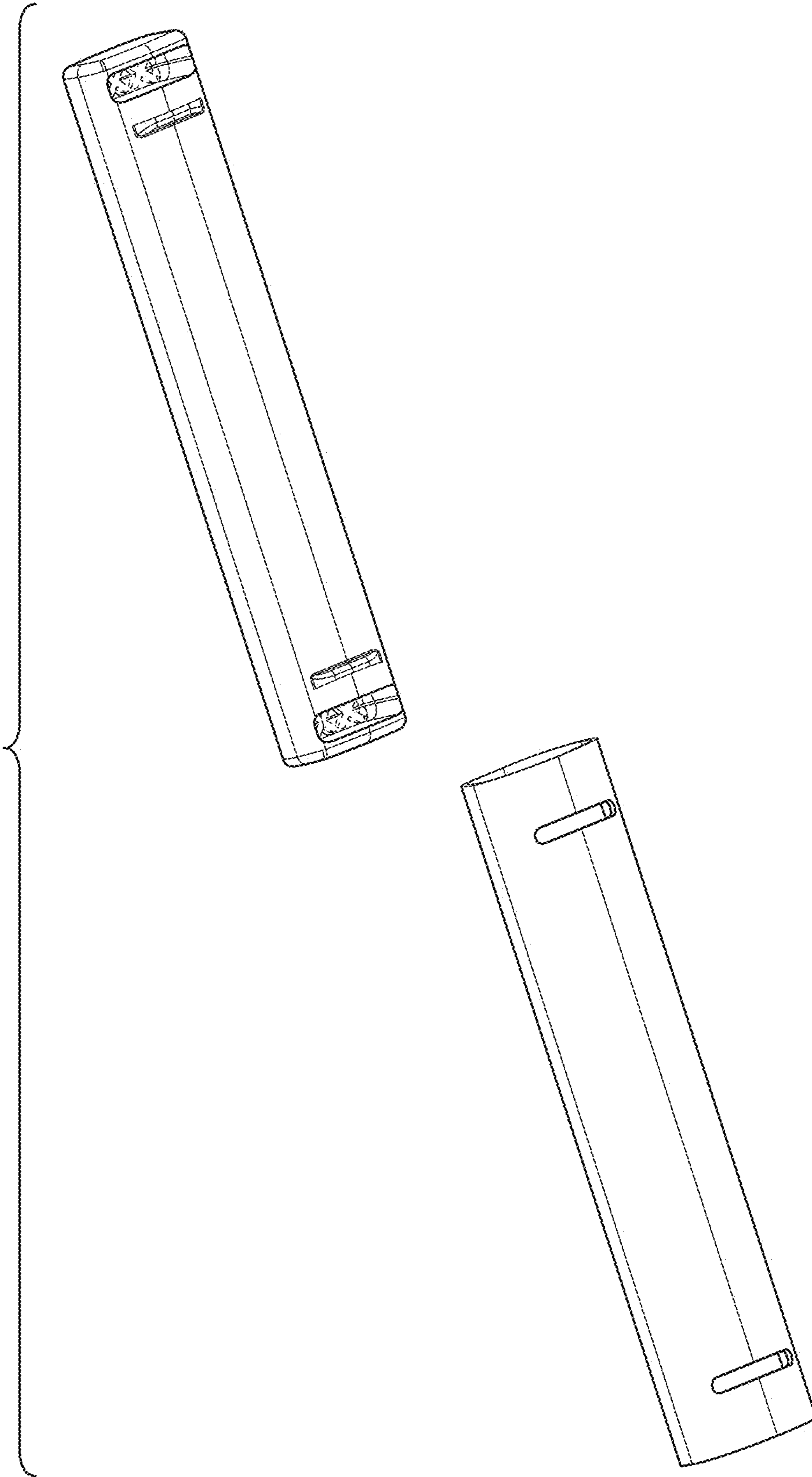


FIG. 19

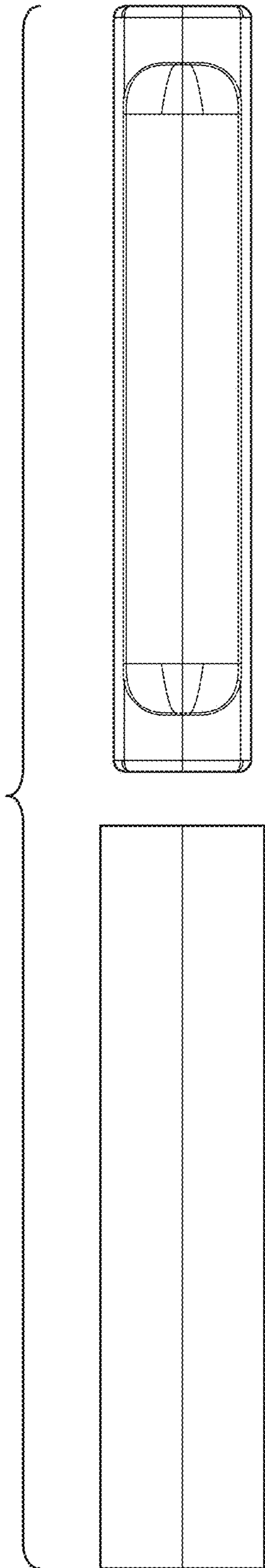


FIG. 20

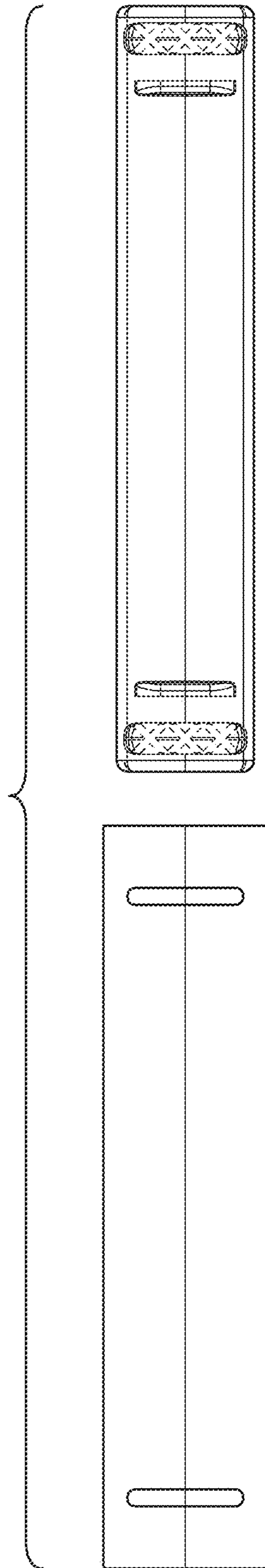


FIG. 21

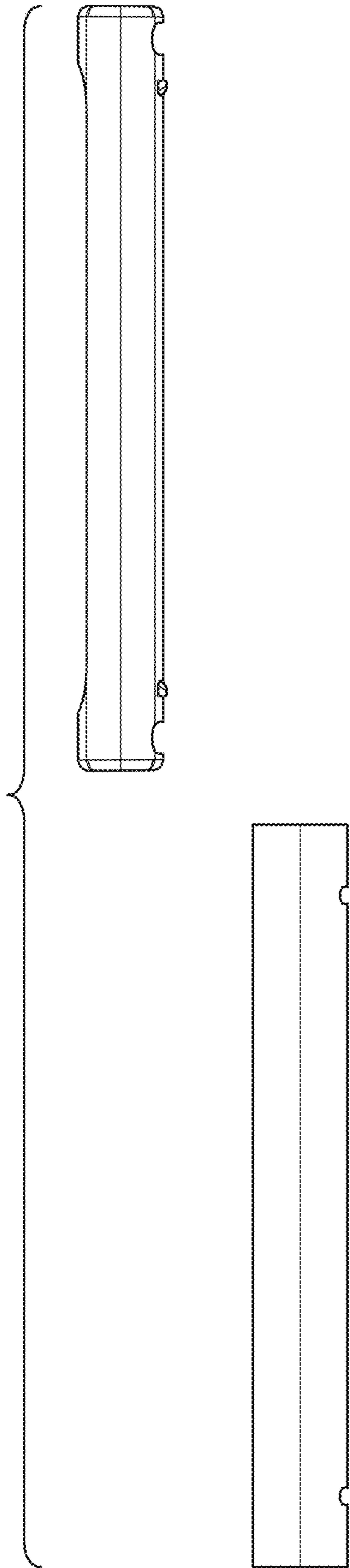


FIG. 22

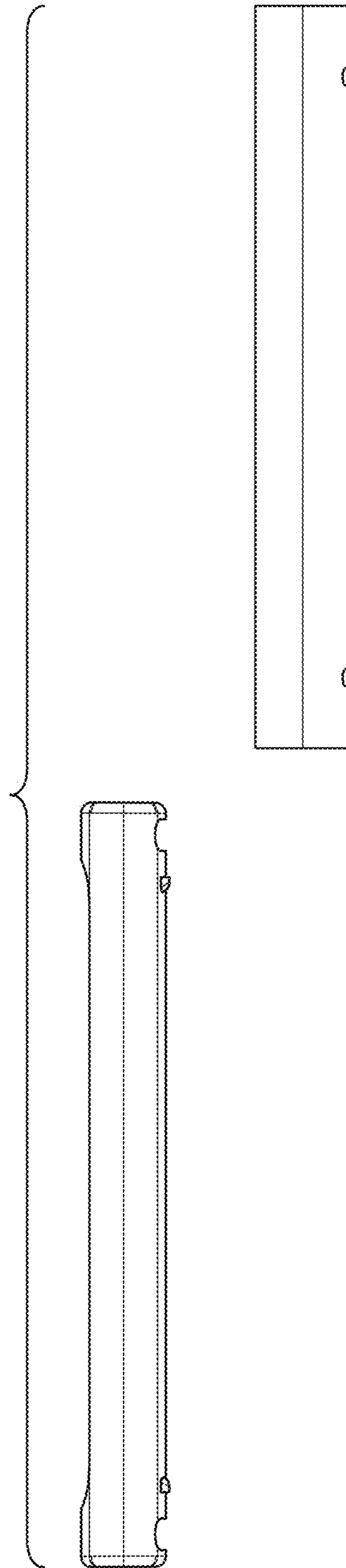


FIG. 23

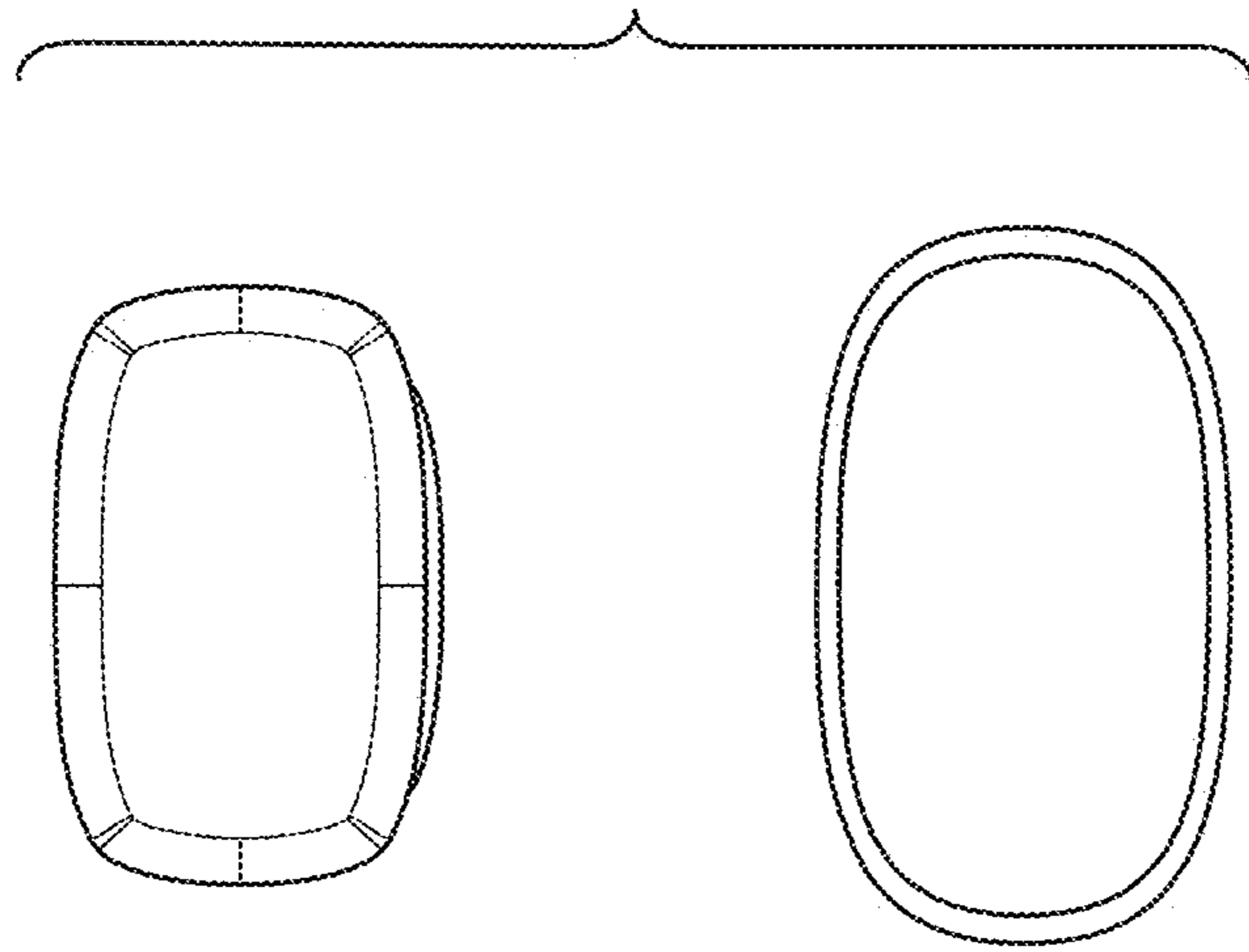


FIG. 25

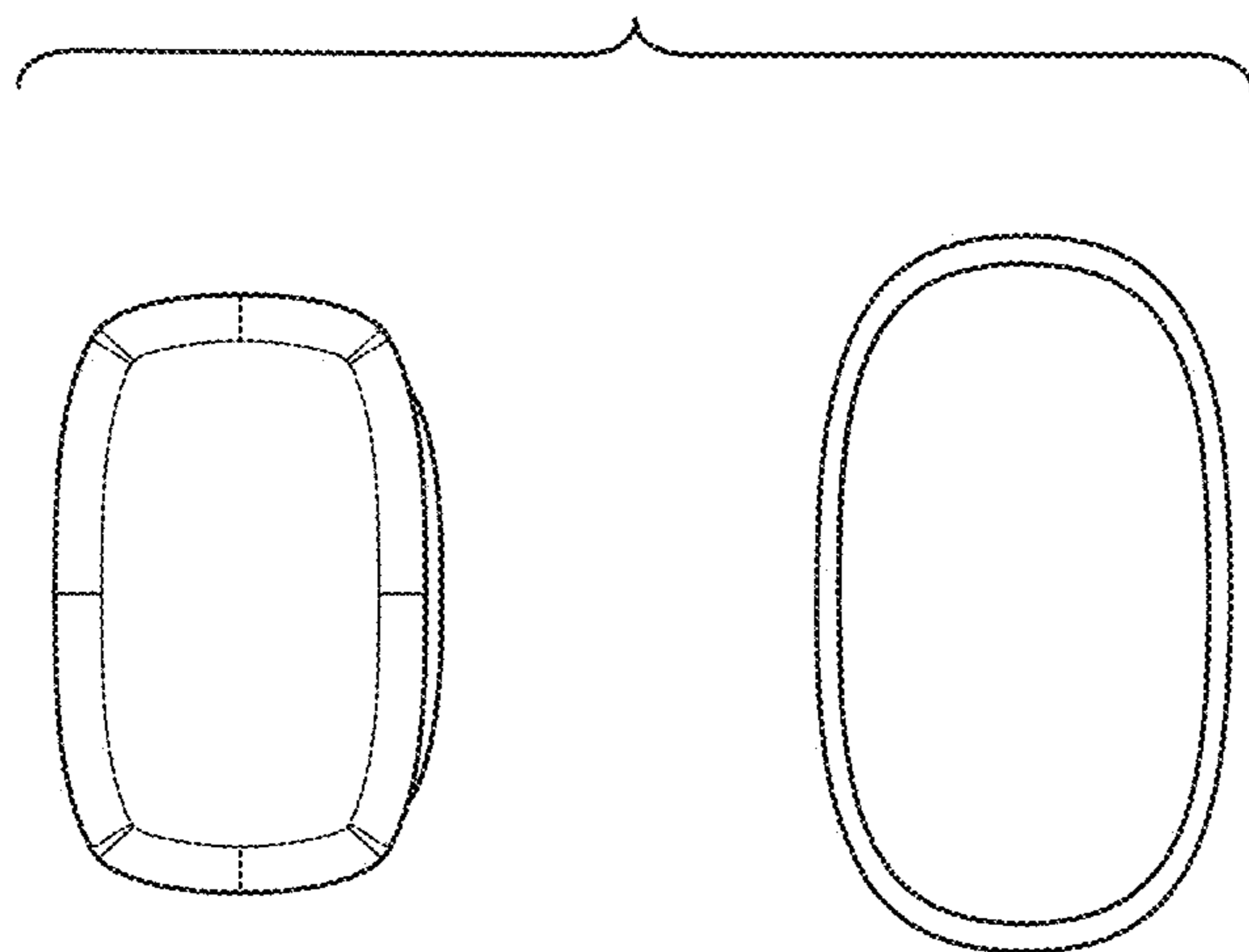


FIG. 24

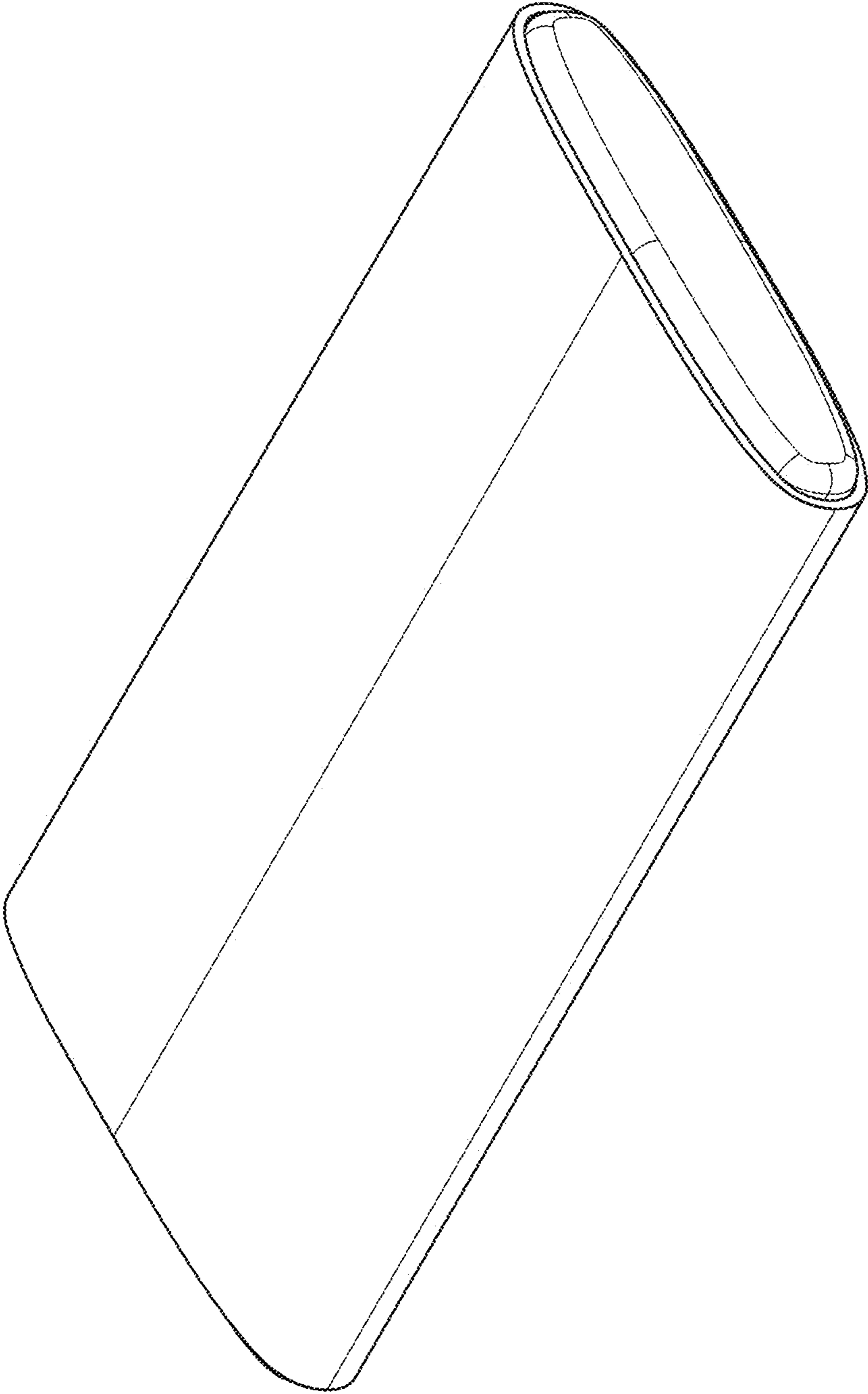


FIG. 26

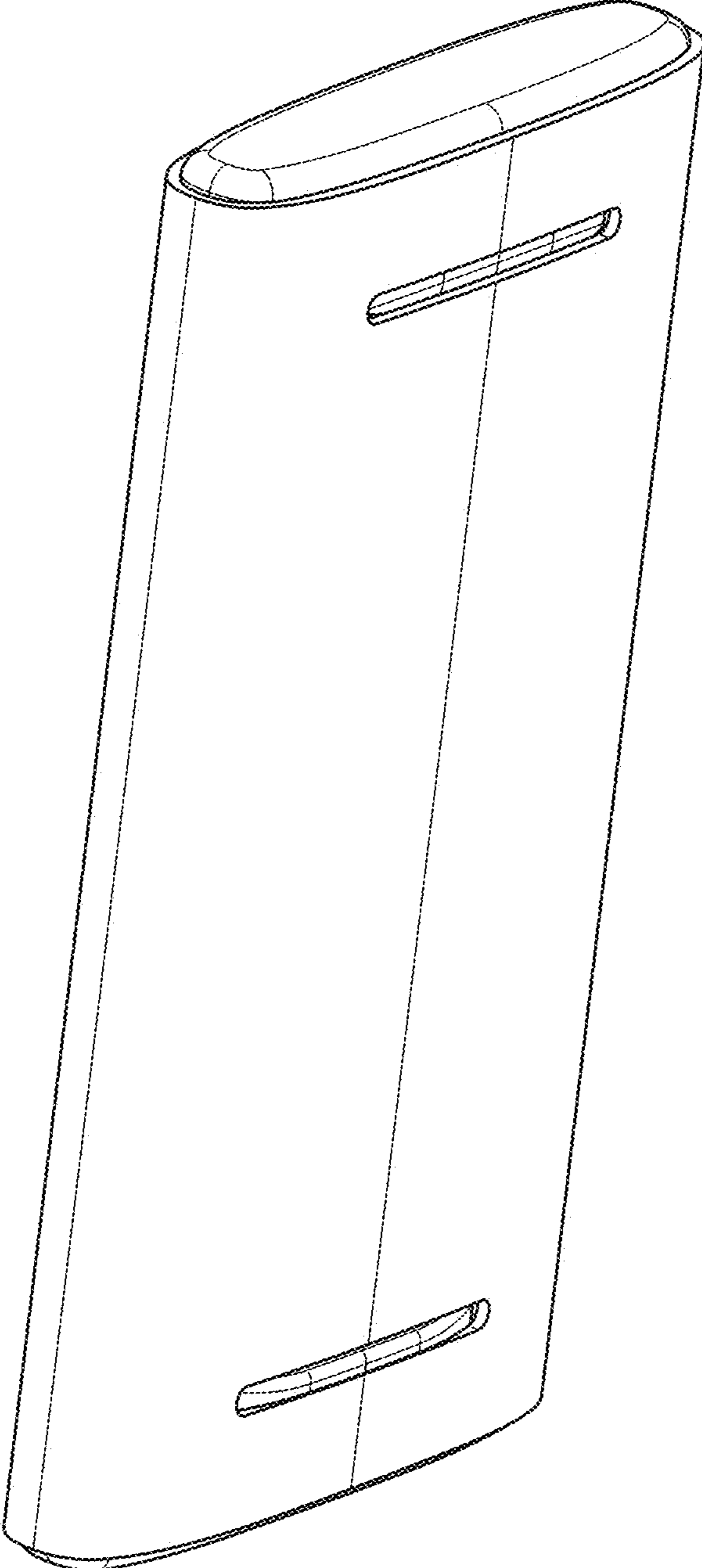


FIG. 27

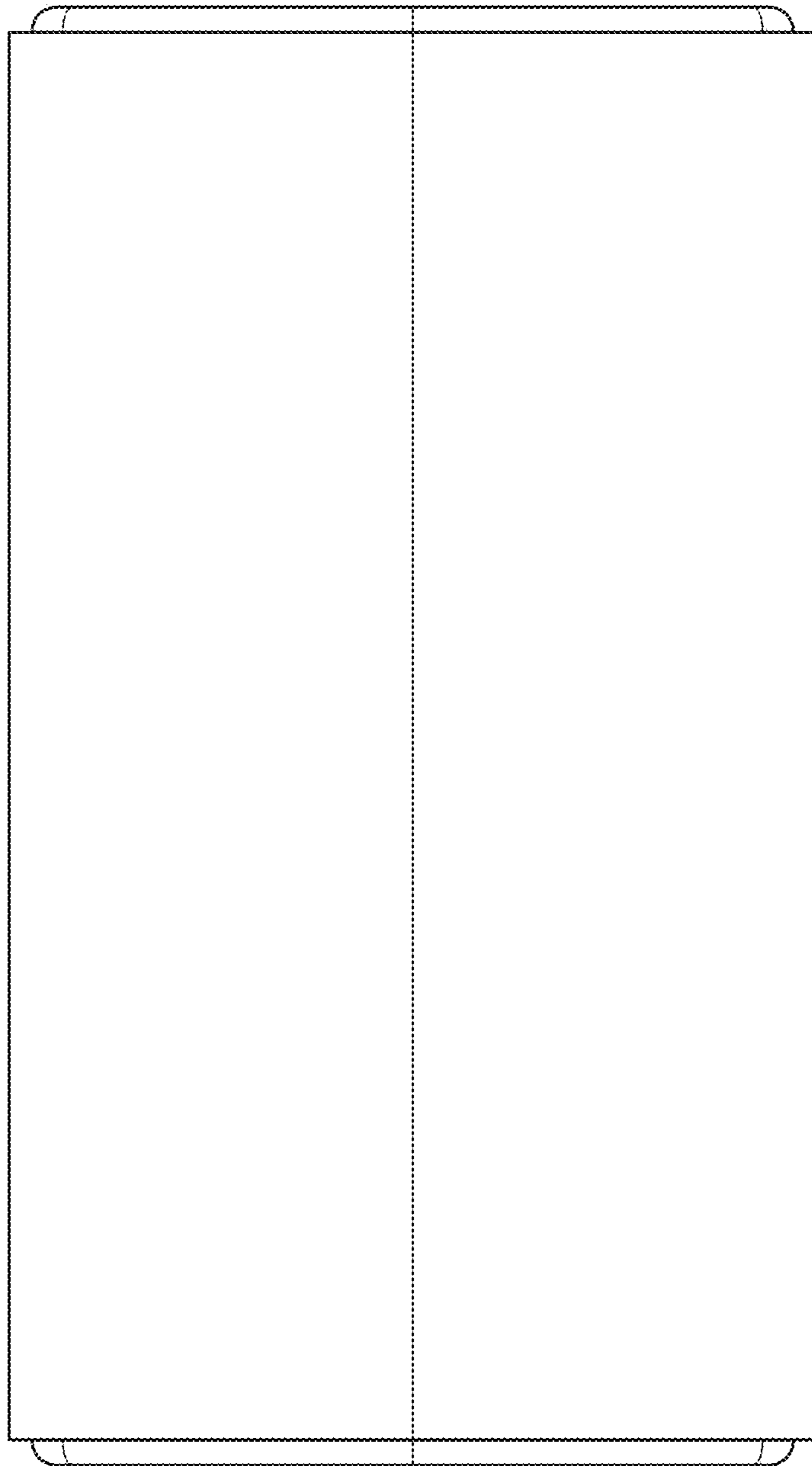


FIG. 28

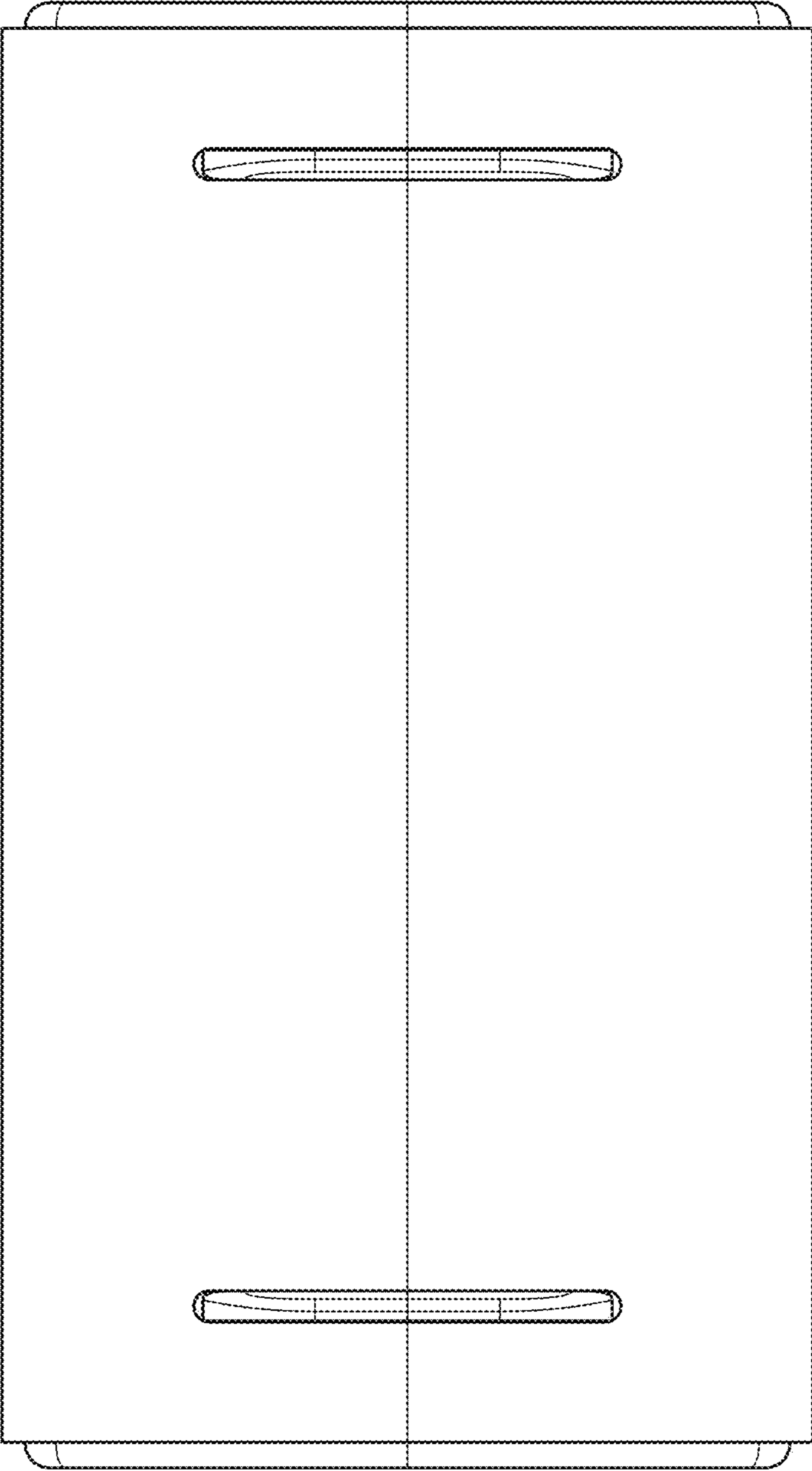


FIG. 29

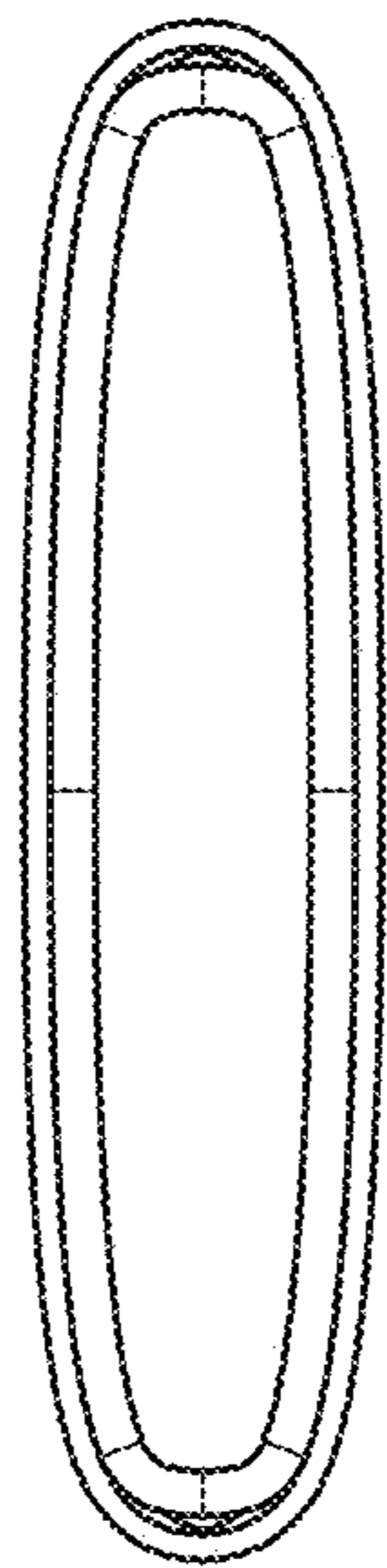


FIG. 31

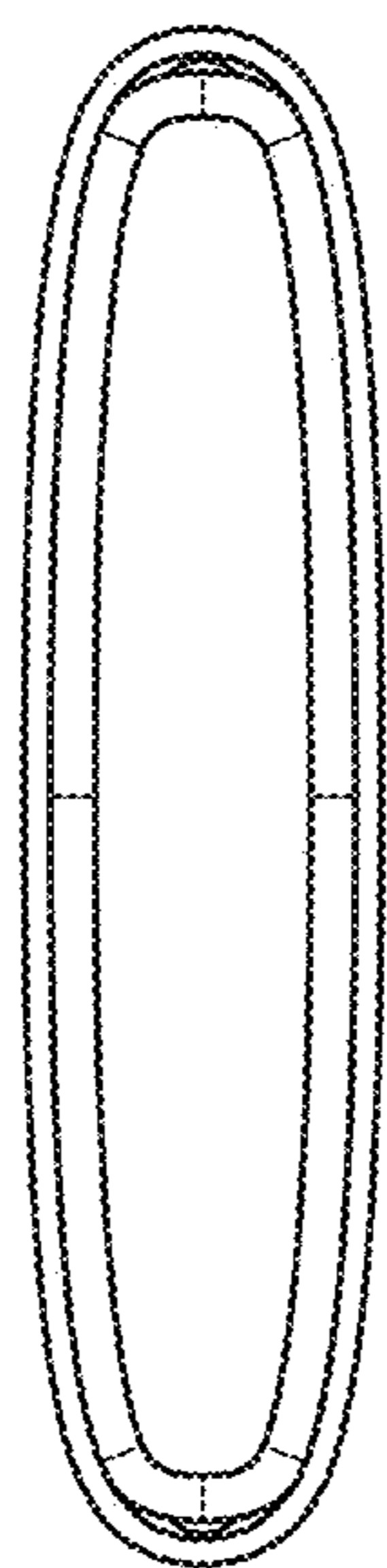


FIG. 30

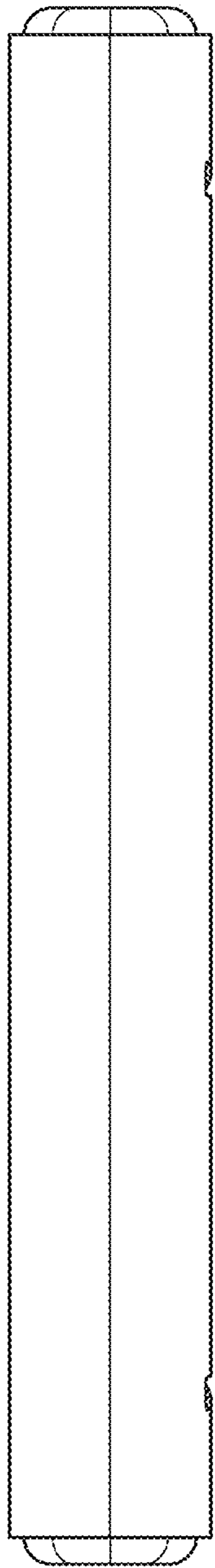


FIG. 32

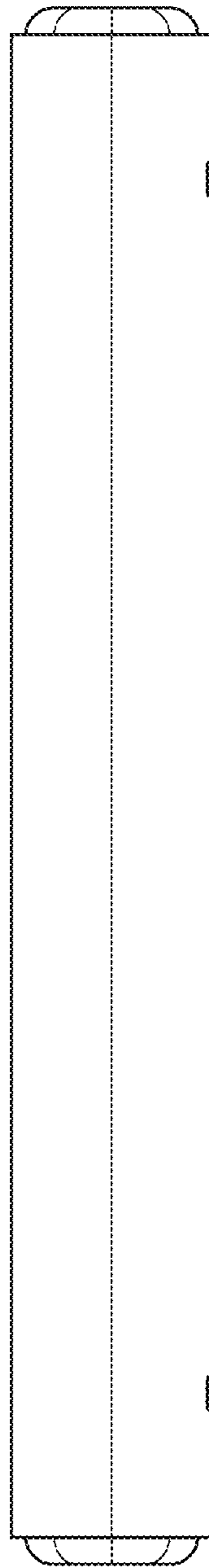


FIG. 33

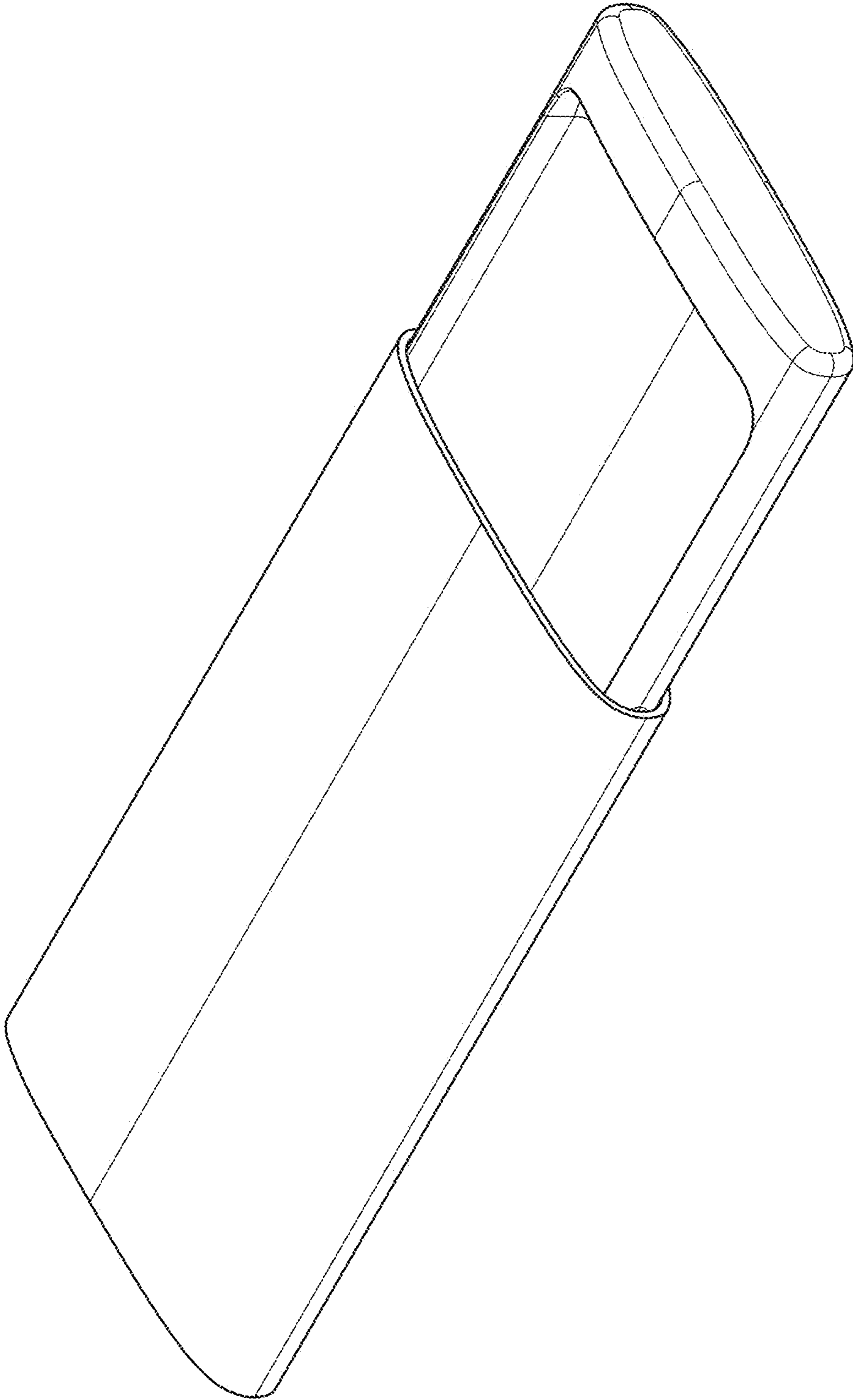


FIG. 34

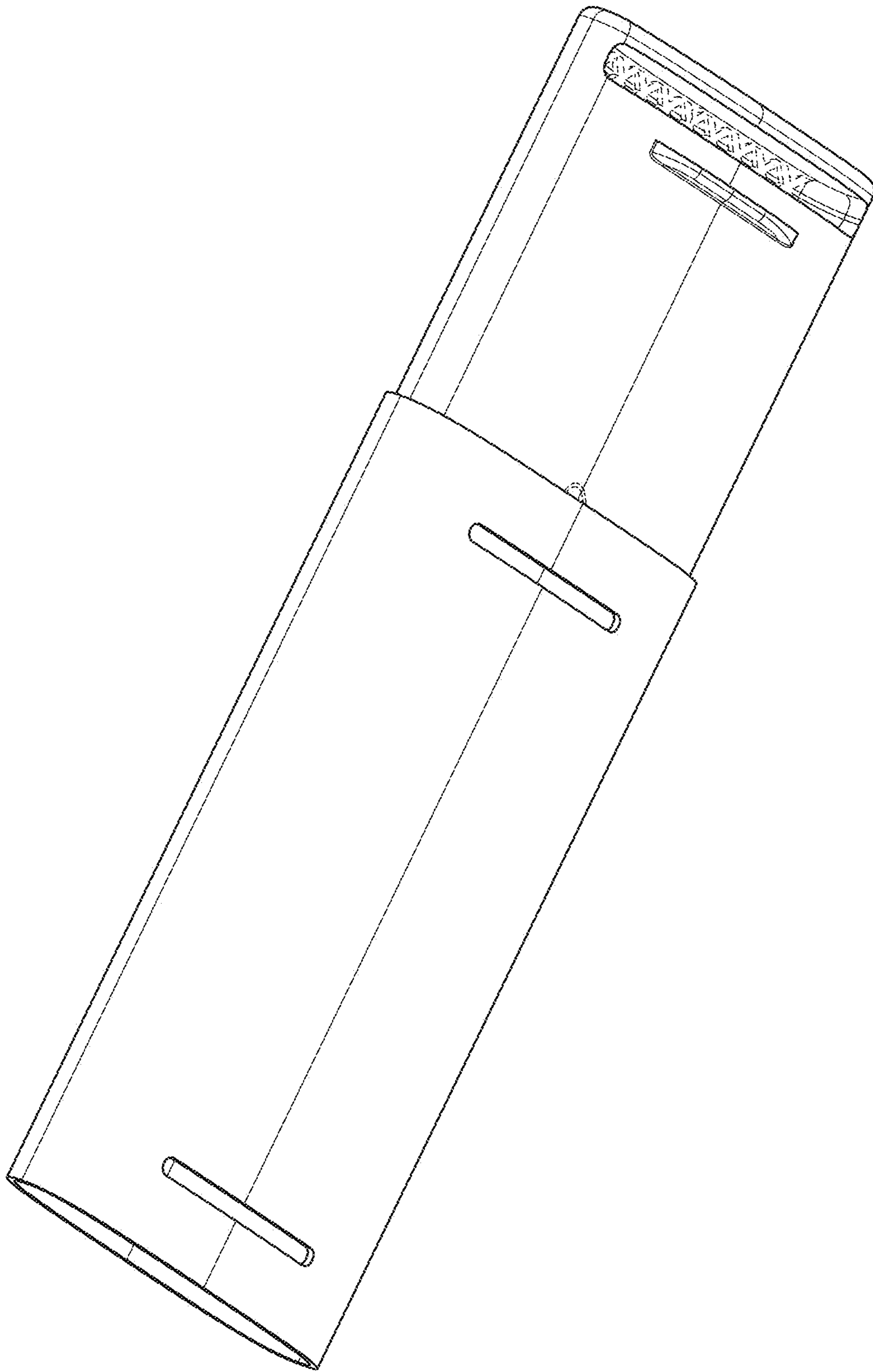


FIG. 35

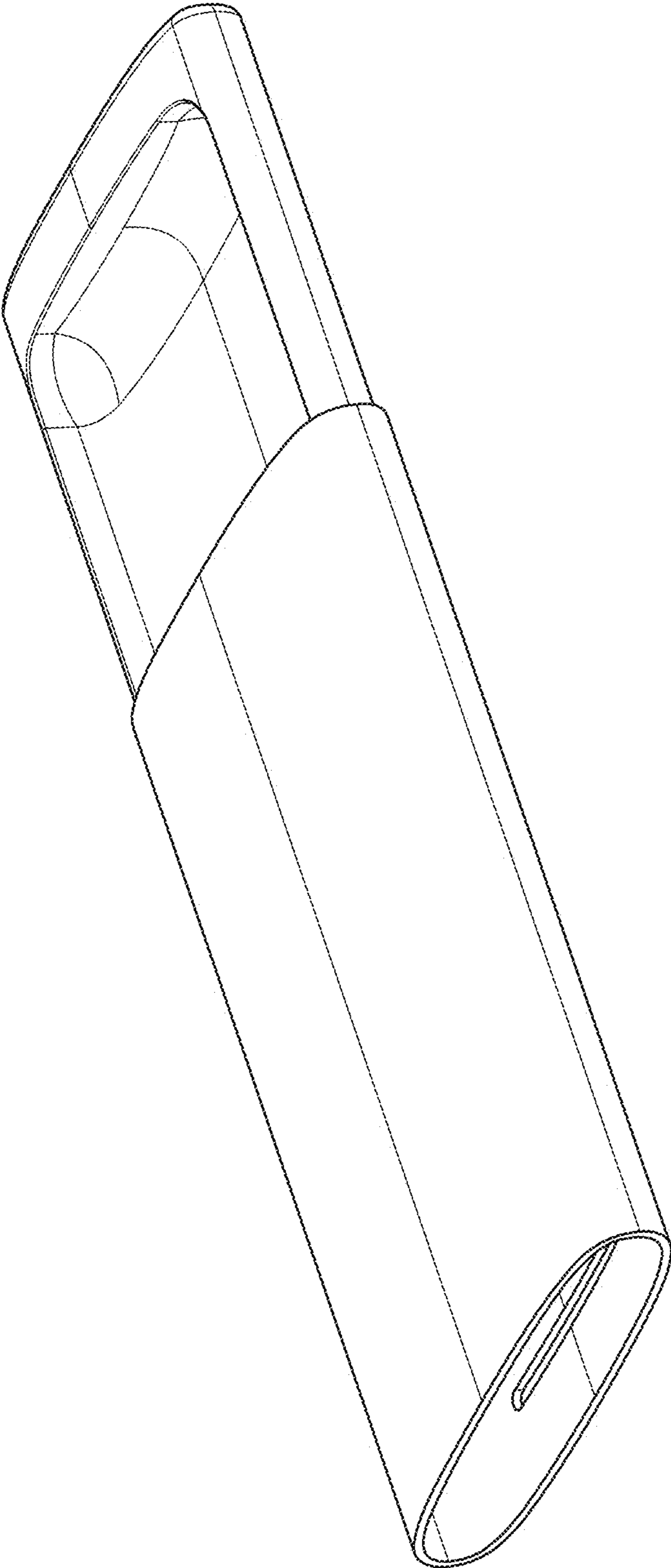


FIG. 36

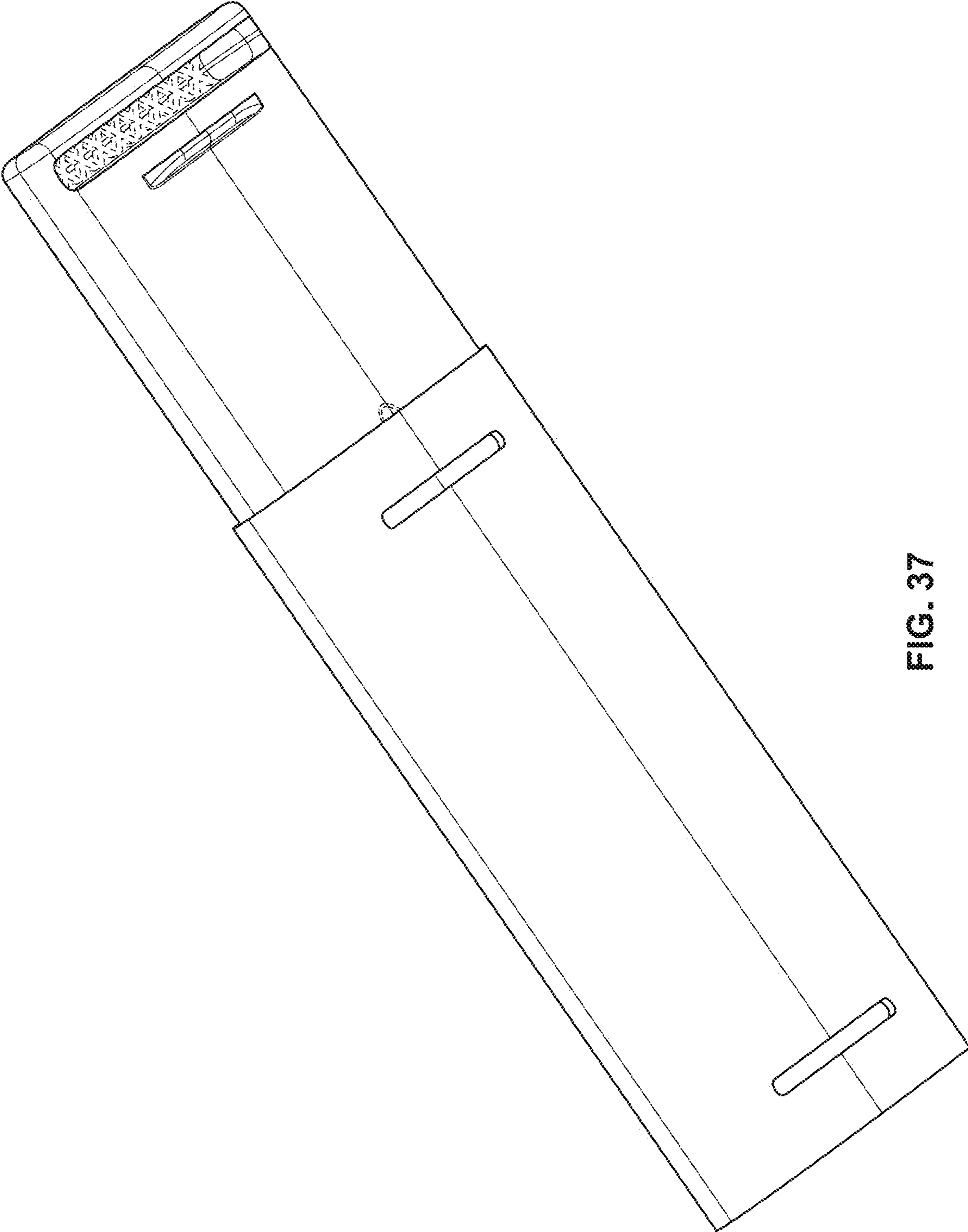


FIG. 37

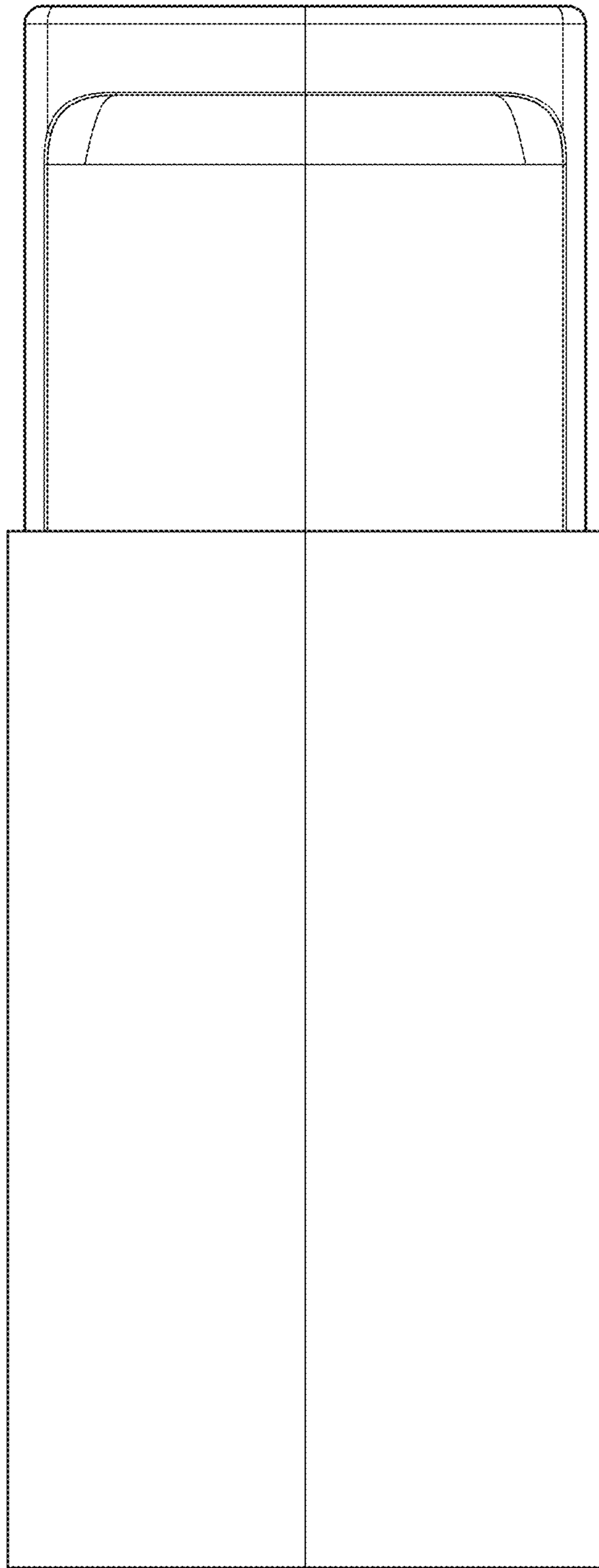


FIG. 38

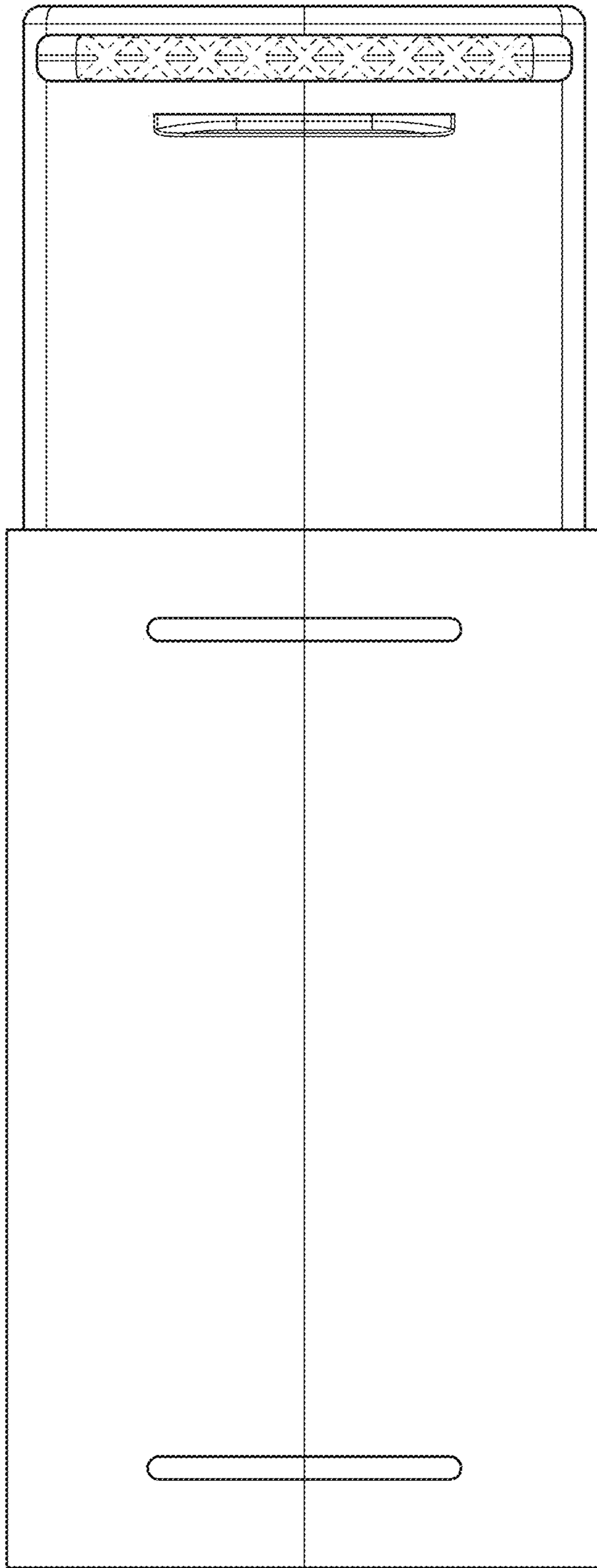


FIG. 39

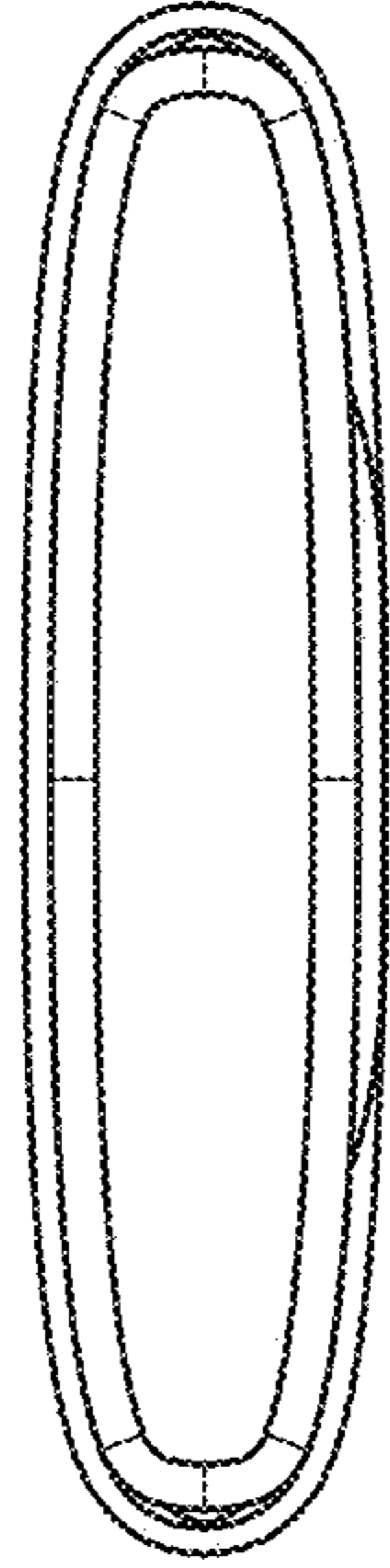


FIG. 41

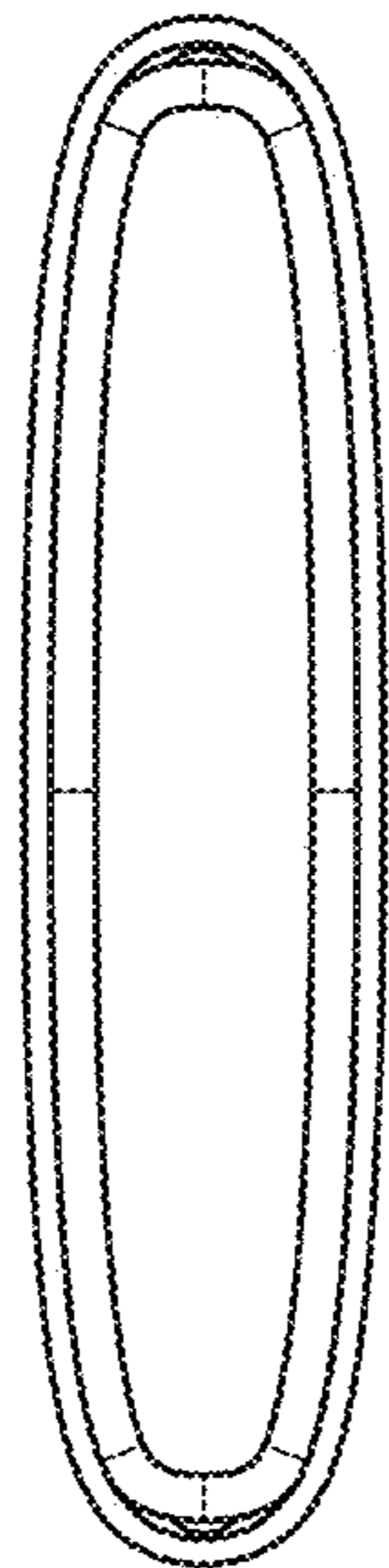


FIG. 40

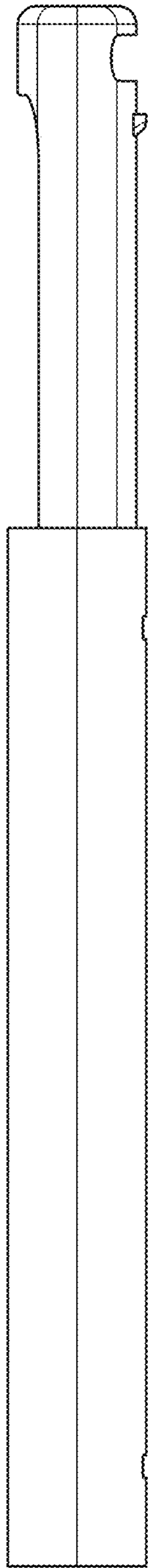


FIG. 42

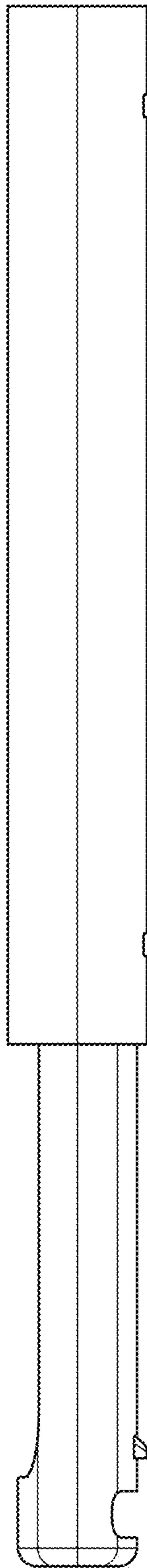


FIG. 43

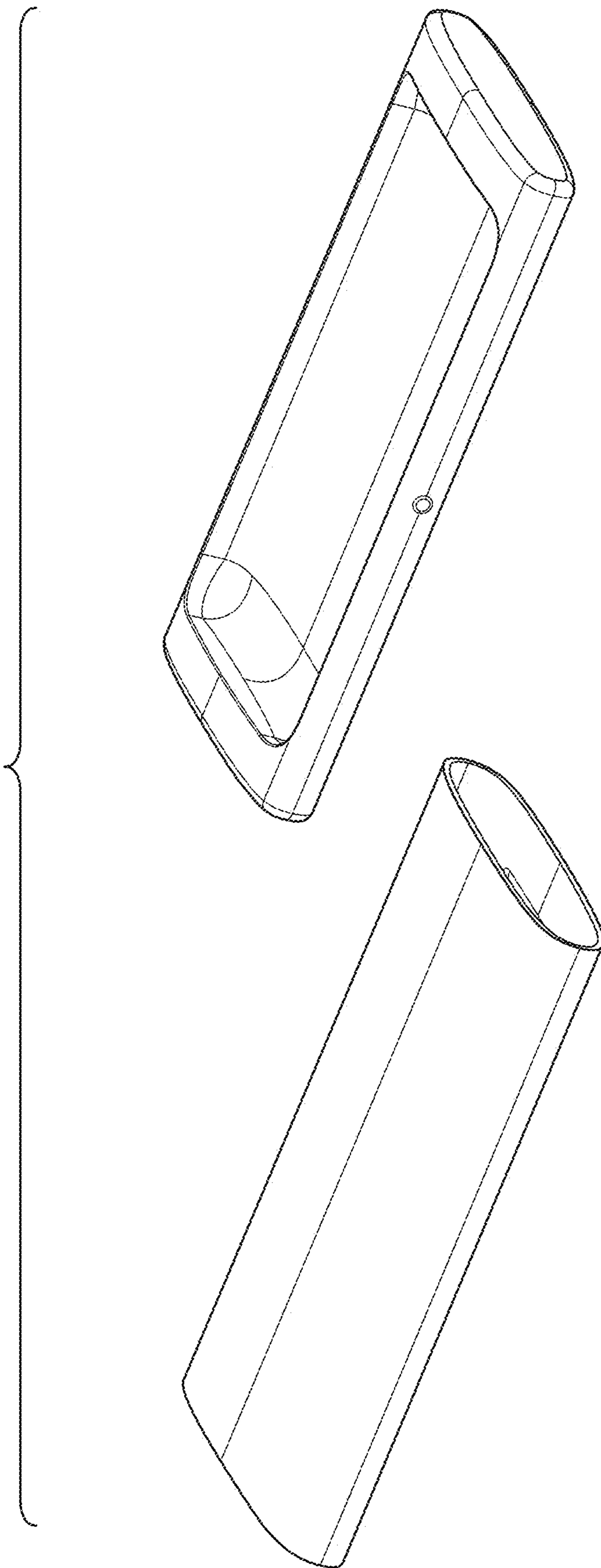


FIG. 44

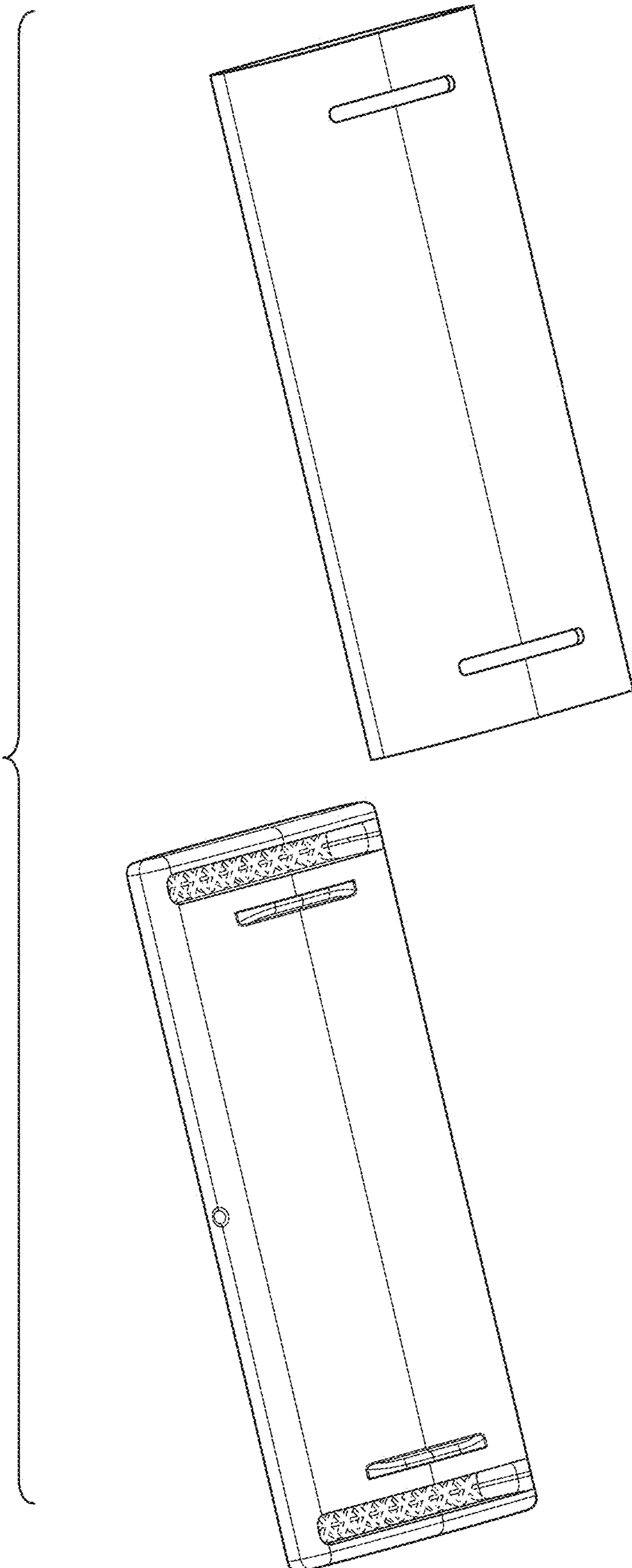


FIG. 45

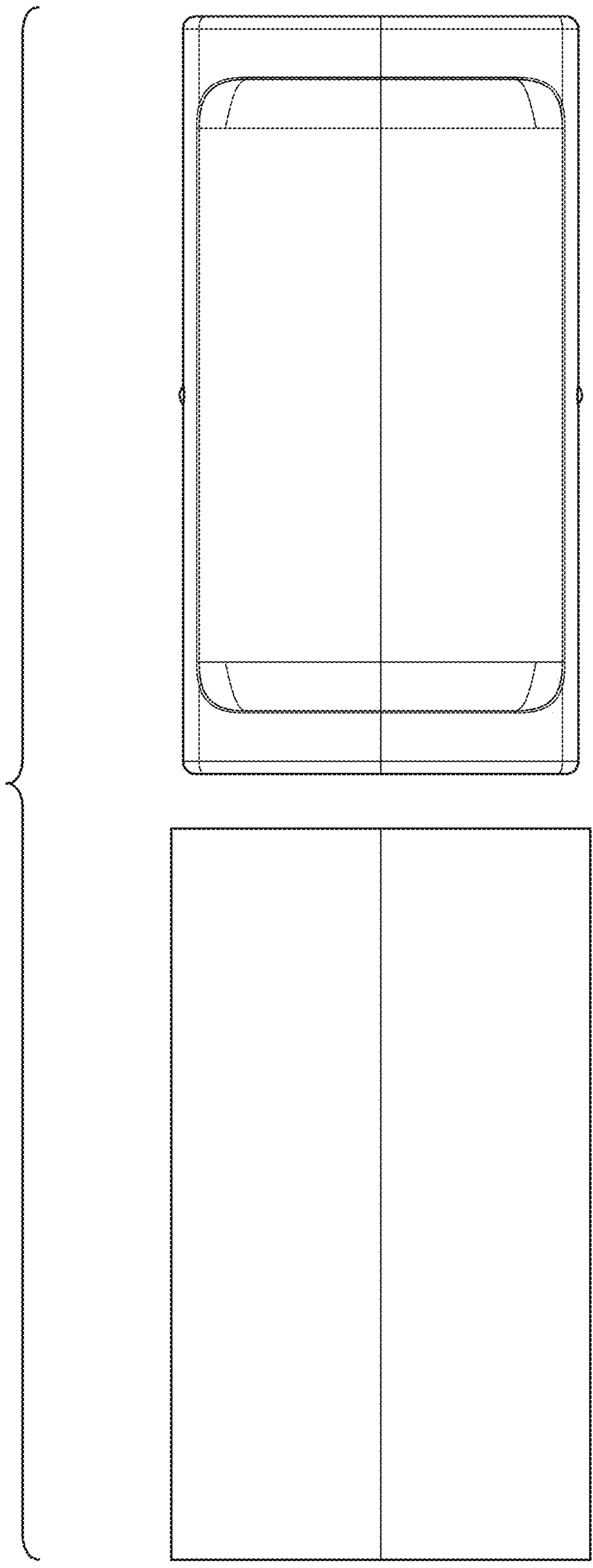


FIG. 46

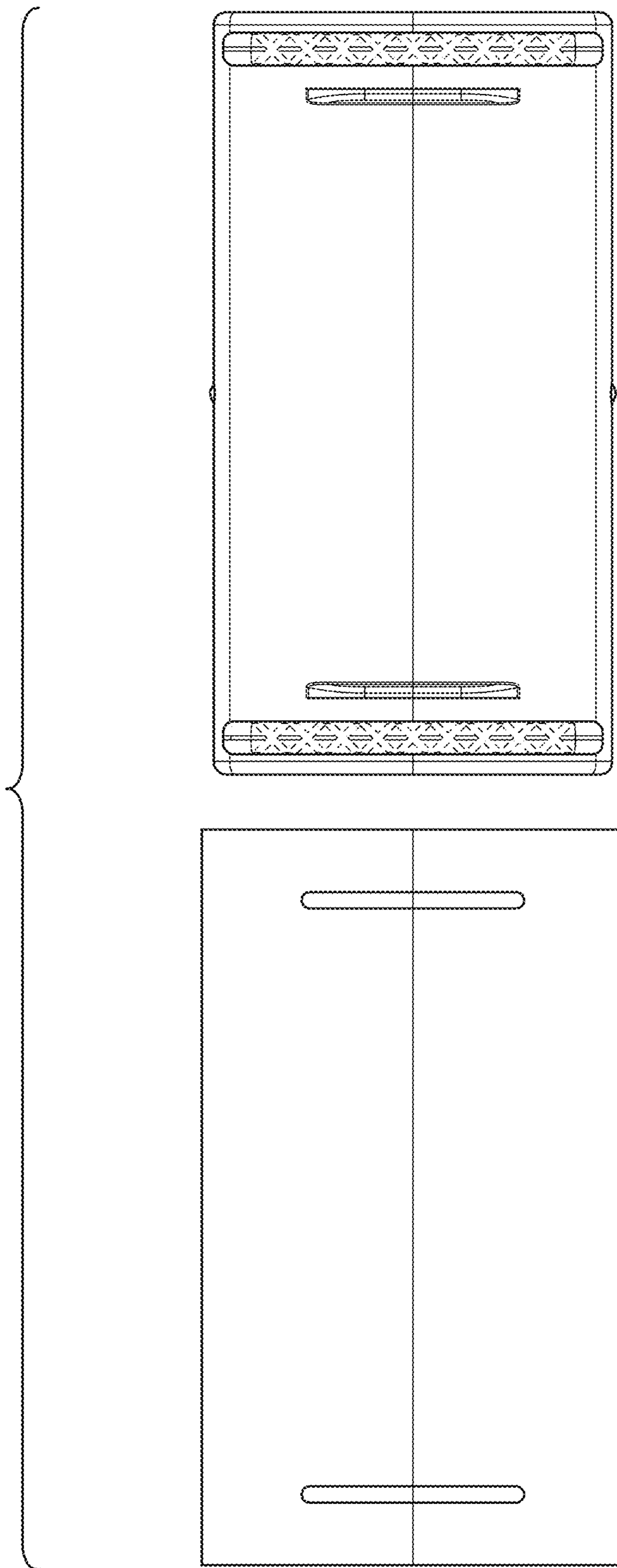


FIG. 47

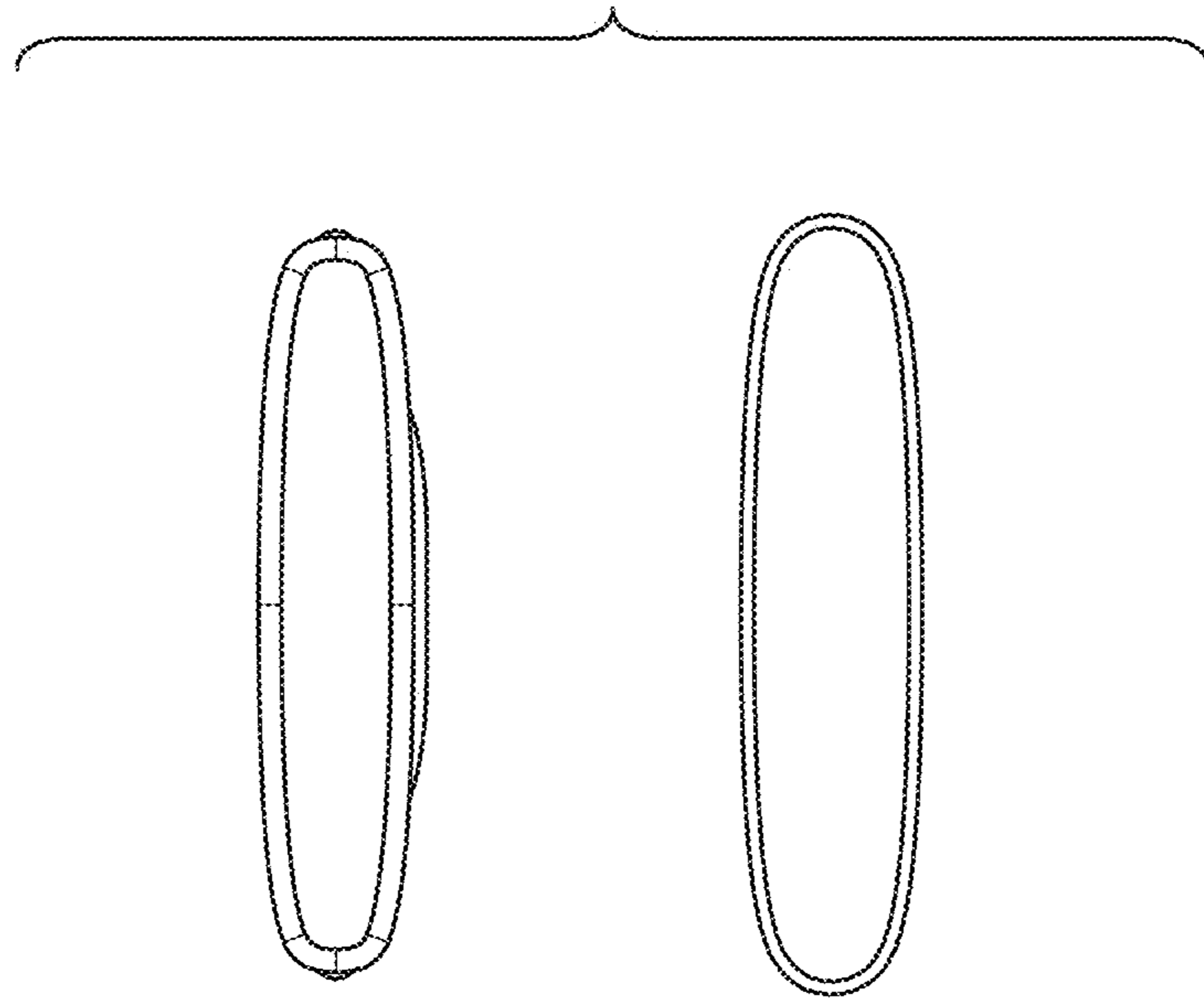


FIG. 49

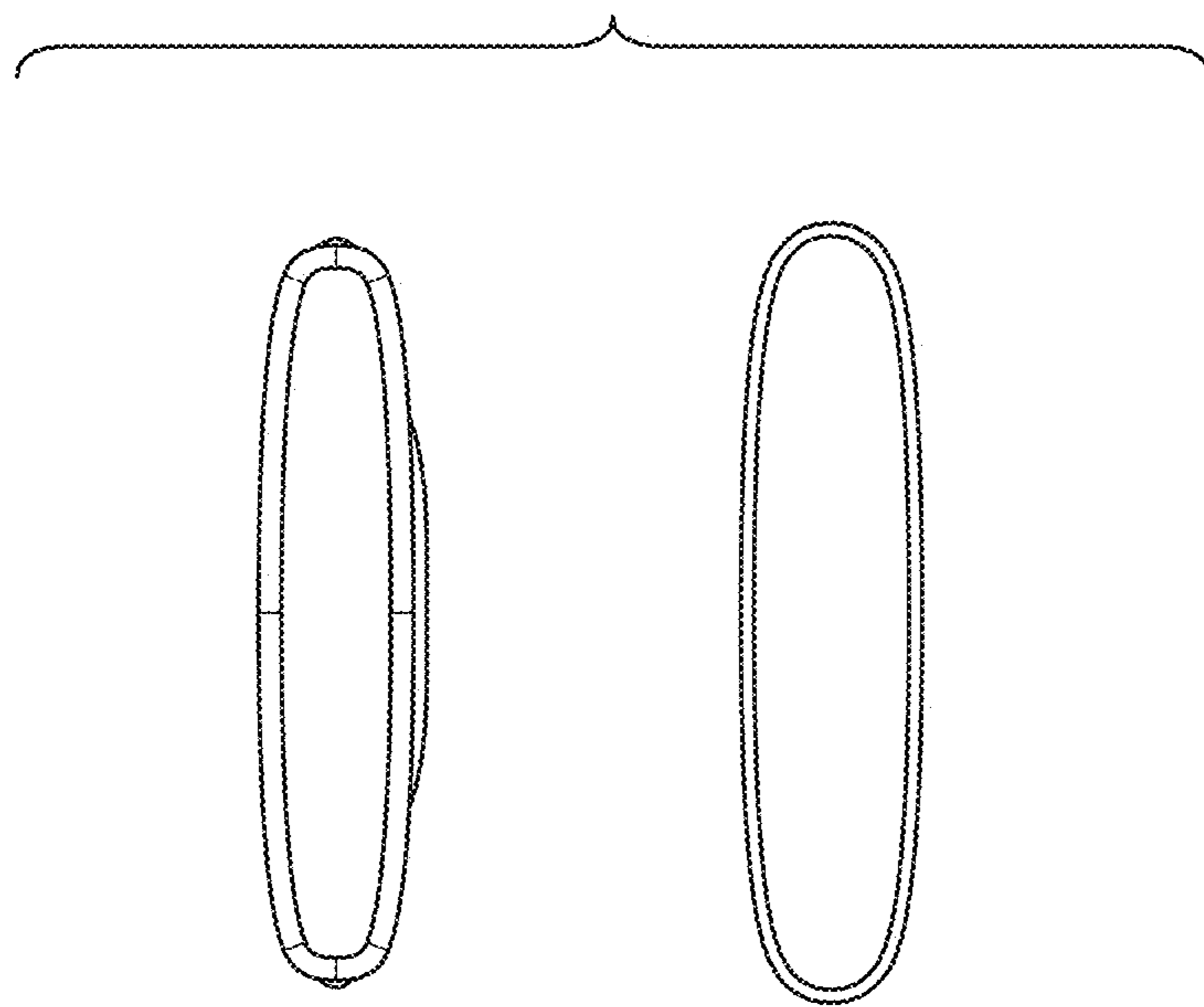


FIG. 48

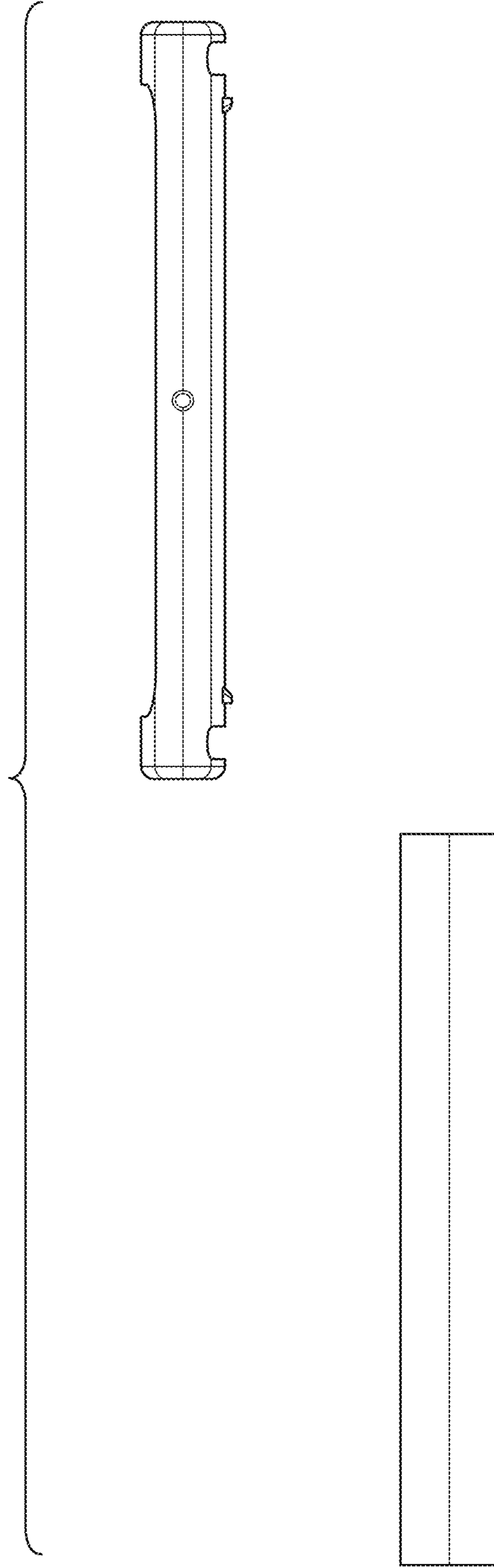


FIG. 50

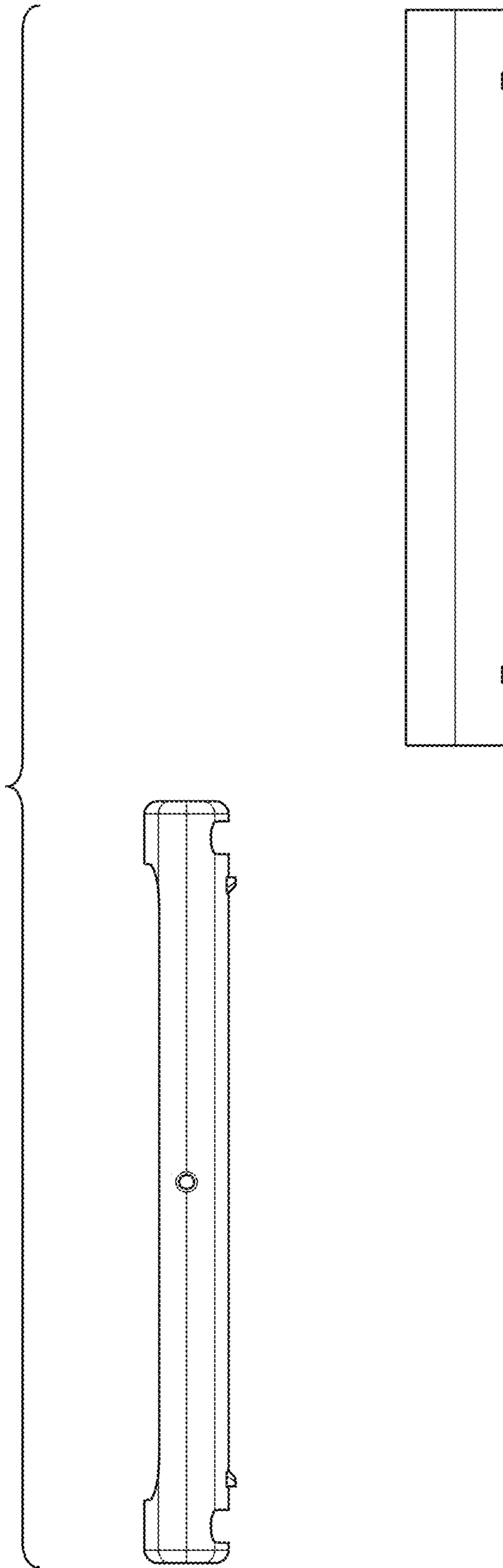


FIG. 51