



US00D897830S

(12) **United States Design Patent**  
**Roberto et al.**

(10) **Patent No.:** **US D897,830 S**

(45) **Date of Patent:** **\*\* Oct. 6, 2020**

- (54) **NUT FOR STUD REMOVAL DEVICE**
- (71) Applicant: **LES ENTREPRISES EZ STUD OUT INC., Montreal (CA)**
- (72) Inventors: **Marco Roberto, Montreal (CA); Carlo Roberto, Montreal (CA)**
- (73) Assignee: **Gestion Roberto Inc., Montreal (CA)**
- (\*\*) Term: **15 Years**

- (21) Appl. No.: **29/689,244**
- (22) Filed: **Apr. 29, 2019**
- (51) **LOC (12) Cl.** ..... **08-08**
- (52) **U.S. Cl.**  
USPC ..... **D8/397**
- (58) **Field of Classification Search**  
USPC ..... D8/397, 394, 382, 349  
CPC ..... F16B 37/14  
See application file for complete search history.

(56) **References Cited**

**U.S. PATENT DOCUMENTS**

4,033,243	A *	7/1977	Kirrish	.....	F16B 37/145
					411/338
D278,029	S *	3/1985	Suponitsky	.....	D8/397
5,769,144	A *	6/1998	Carter	.....	A47H 13/02
					160/330
D422,202	S *	4/2000	Maki	.....	D8/387
D520,856	S *	5/2006	Osiecki	.....	D8/312
D557,132	S *	12/2007	Shinjo	.....	D8/397
D600,108	S *	9/2009	Swan	.....	D8/397
D717,207	S *	11/2014	Fondas	.....	D11/222

D735,076	S *	7/2015	Fondas	.....	D11/222
D805,882	S *	12/2017	Berry	.....	D8/382
D813,027	S *	3/2018	Wright	.....	D8/397
D821,859	S *	7/2018	Artino	.....	D8/387
D832,184	S *	10/2018	Woolstencroft	.....	D12/400
D856,126	S *	8/2019	Liu	.....	D8/397
D871,201	S *	12/2019	Shinjo	.....	D8/397
D878,194	S *	3/2020	Lee	.....	D8/397
D880,284	S *	4/2020	Ferraro	.....	D8/397
2012/0219380	A1 *	8/2012	Hutter, III	.....	B64D 45/02
					411/377

\* cited by examiner

*Primary Examiner* — Cynthia R Underwood

(74) *Attorney, Agent, or Firm* — Benoit & Cote, Inc.; C. Marc Benoit

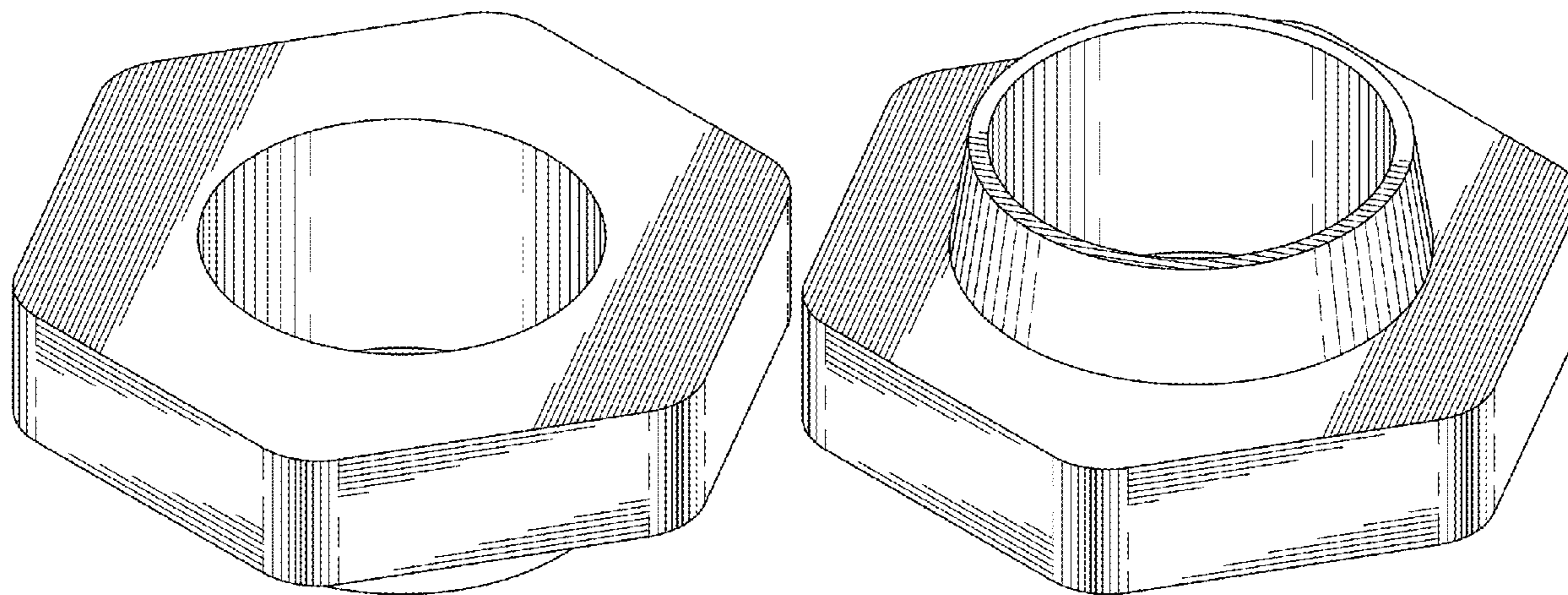
(57) **CLAIM**

We claim the ornamental design for a nut for stud removal device, as shown and described.

**DESCRIPTION**

FIG. 1 is a front perspective view of a second embodiment of our ornamental design of the nut for stud removal device; FIG. 2 is a bottom perspective view of the nut for stud removal device of FIG. 1; FIG. 3 is a top plan view of the nut for stud removal device of FIG. 1; FIG. 4 is a front elevation view of the nut for stud removal device of FIG. 1; FIG. 5 is a bottom plan view of the nut for stud removal device of FIG. 1; and, FIG. 6 is a side elevation view of the nut for stud removal device of FIG. 1.

**1 Claim, 3 Drawing Sheets**



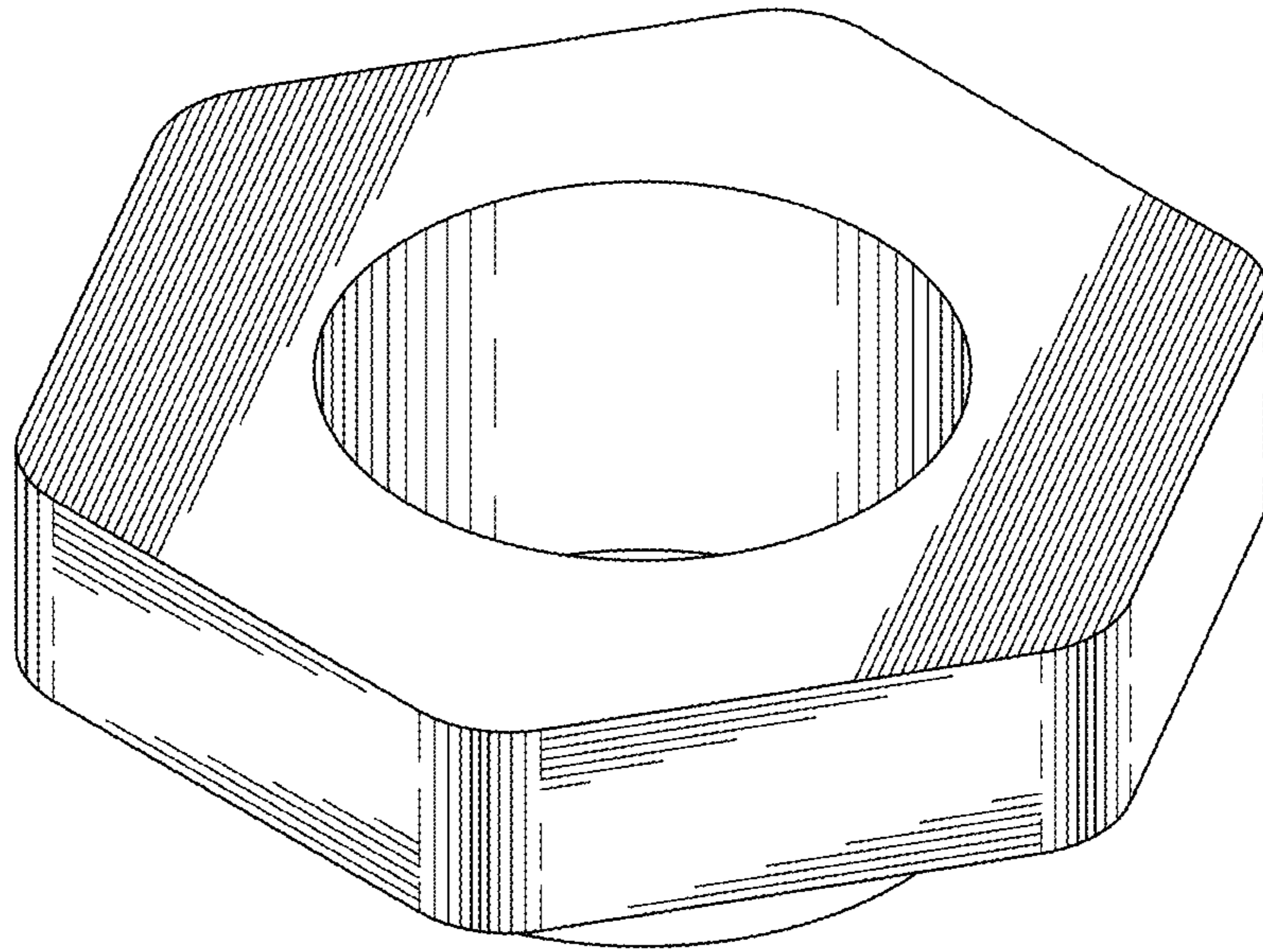


FIG. 1

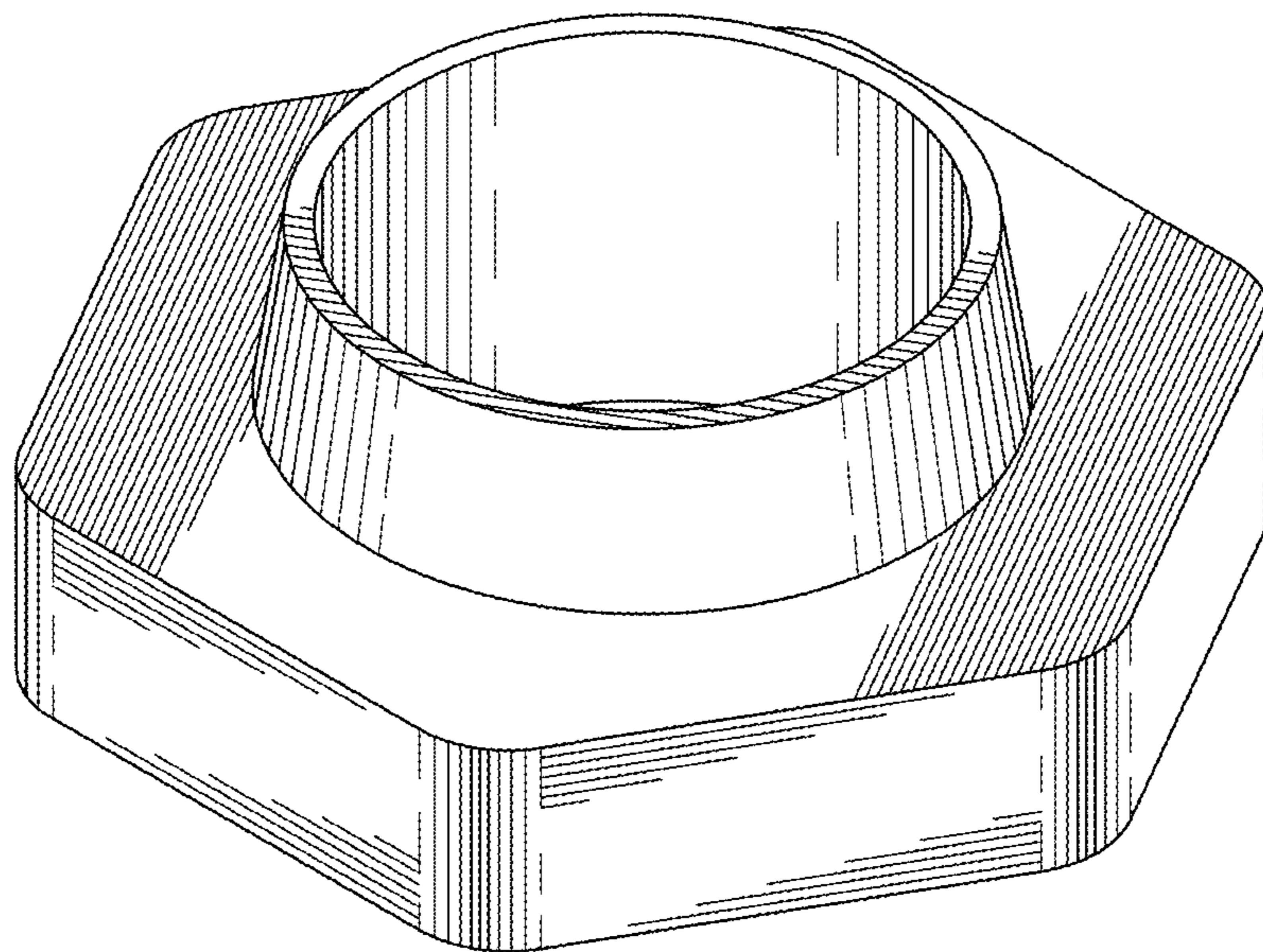


FIG. 2

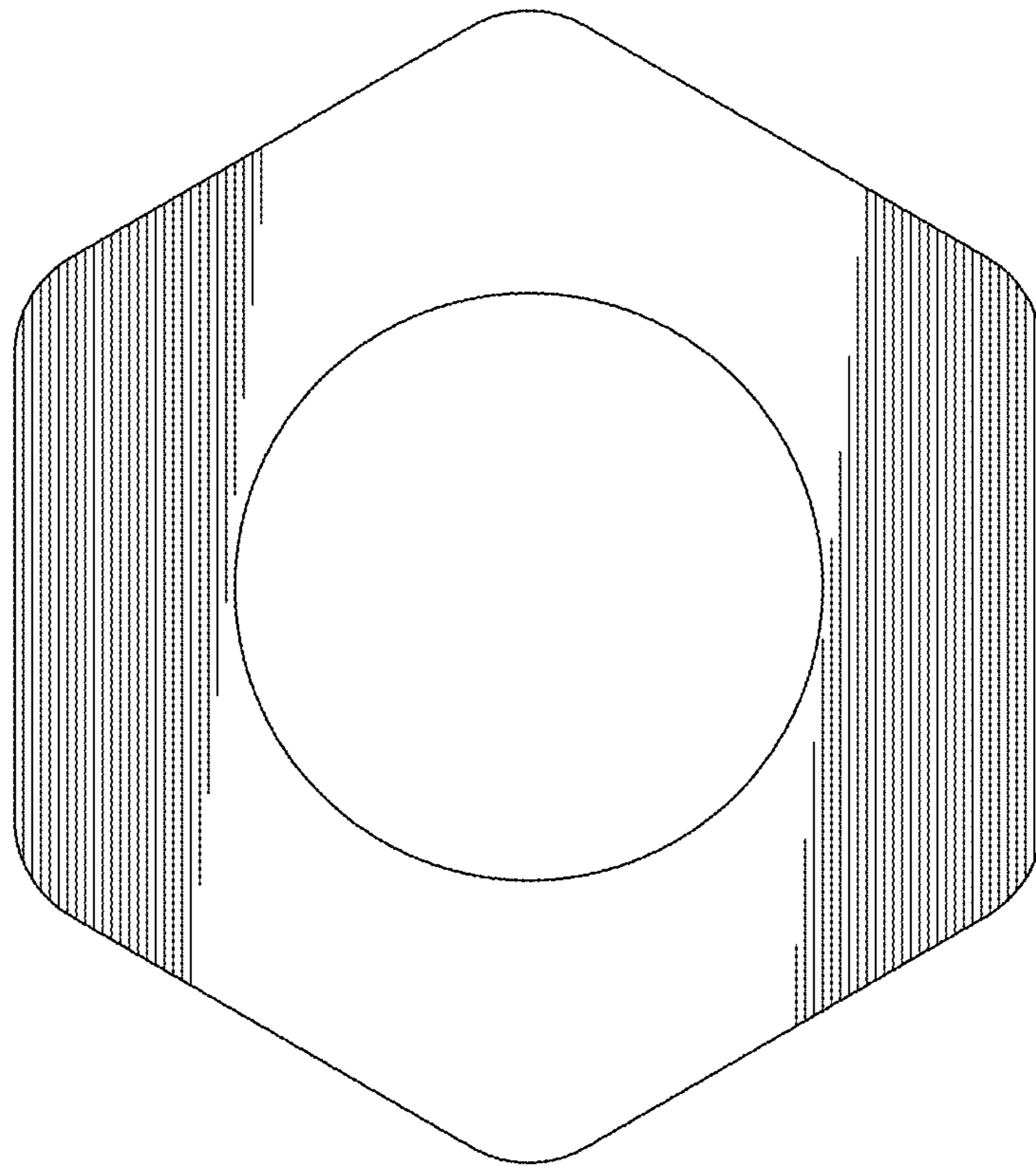


FIG. 3

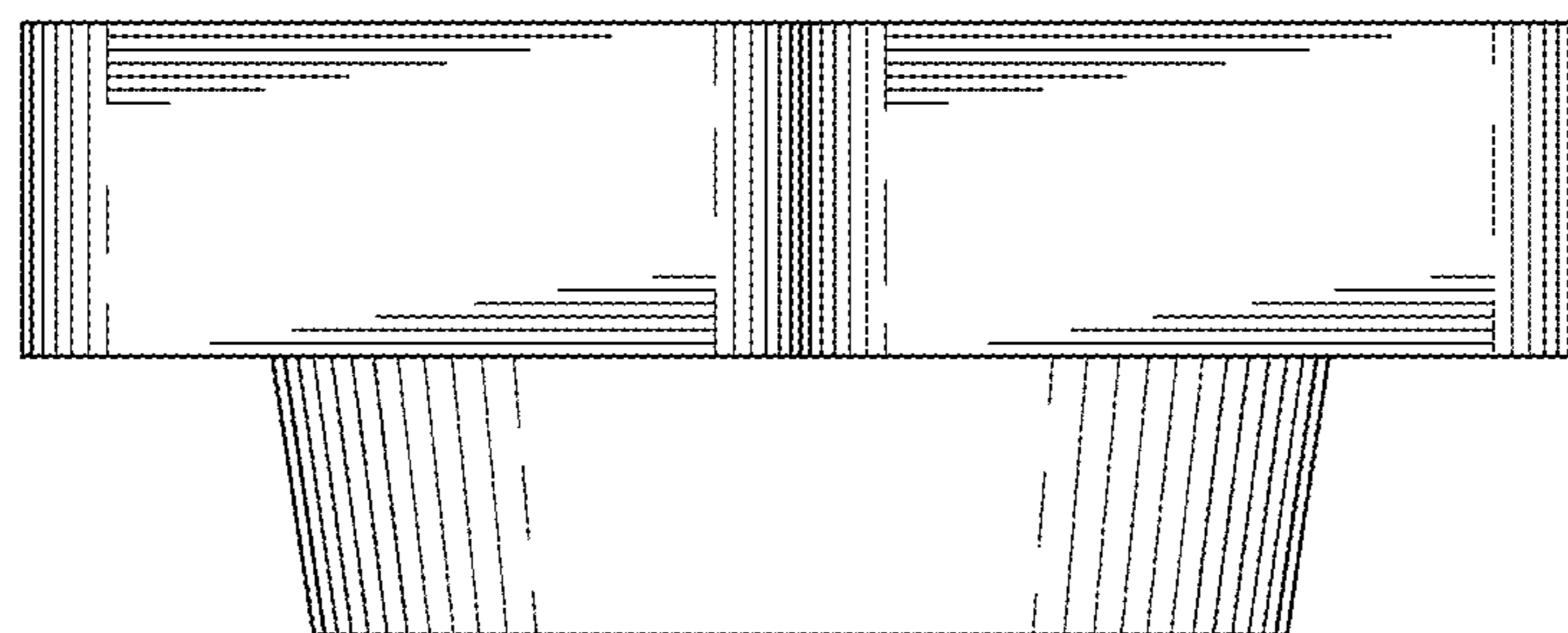


FIG. 4

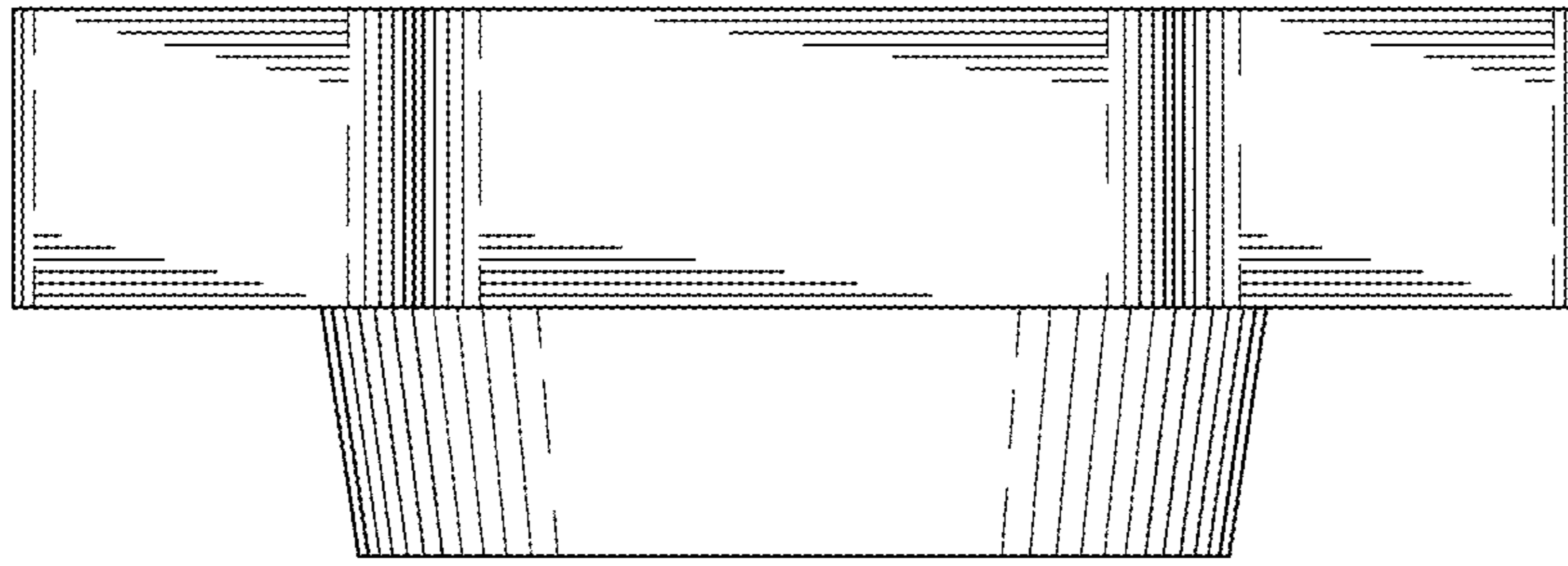


FIG. 5

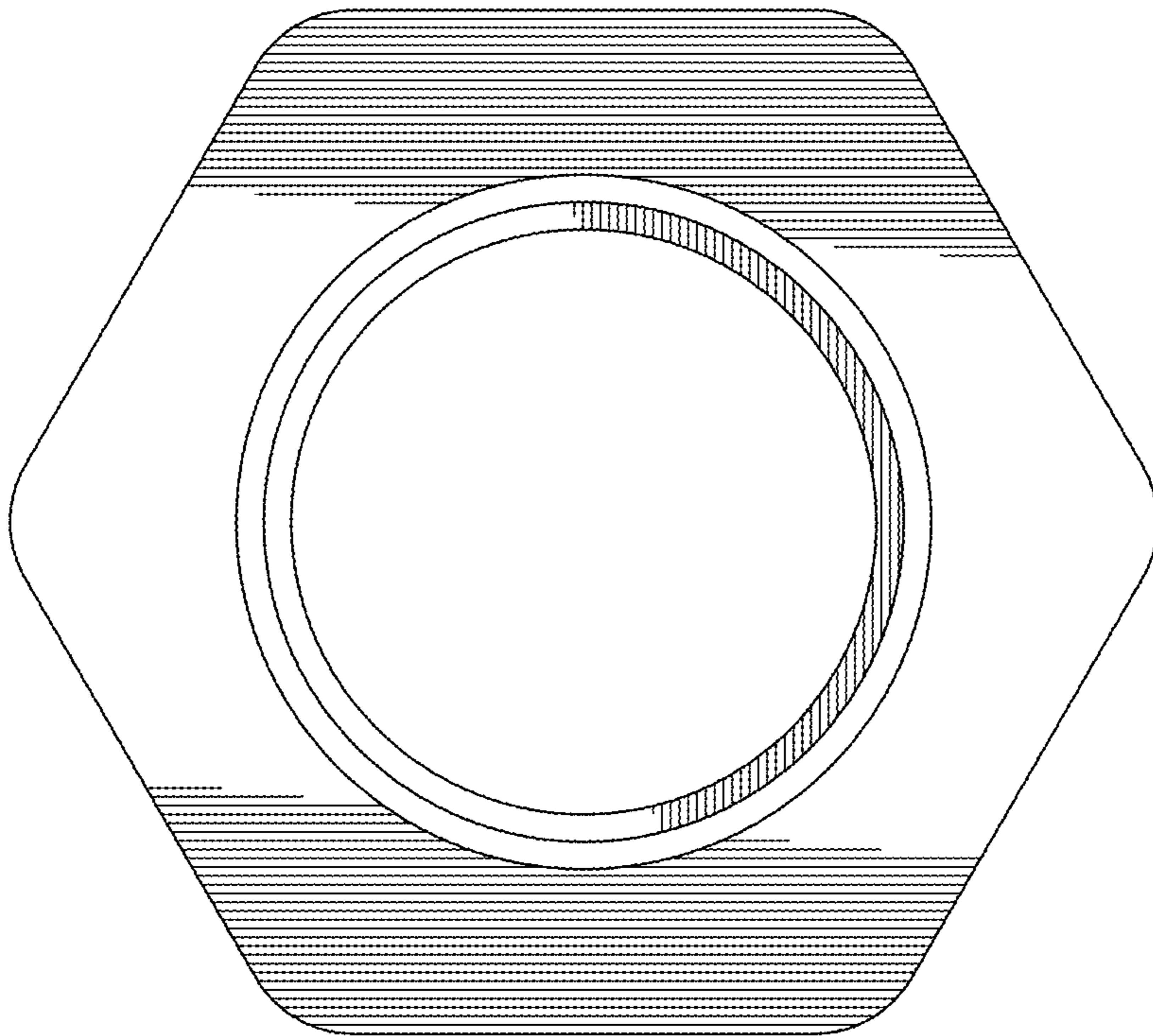


FIG. 6