



US00D897829S

(12) **United States Design Patent**  
**Yang et al.**

(10) **Patent No.:** **US D897,829 S**

(45) **Date of Patent:** **\*\* Oct. 6, 2020**

(54) **CLAMP**

(71) Applicant: **Wistron NeWeb Corp.**, Hsinchu (TW)

(72) Inventors: **Lan-Chun Yang**, Hsinchu (TW);  
**Chun-Wei Wang**, Hsinchu (TW);  
**Yi-Chieh Lin**, Hsinchu (TW); **San-Yi Kuo**, Hsinchu (TW)

(73) Assignee: **WISTRON NEWEB CORP.**, Hsinchu (TW)

(\*\*) Term: **15 Years**

(21) Appl. No.: **29/654,992**

(22) Filed: **Jun. 29, 2018**

(51) **LOC (12) Cl.** ..... **08-08**

(52) **U.S. Cl.**  
USPC ..... **D8/396**

(58) **Field of Classification Search**  
USPC ..... D8/394-396, 72  
CPC . D06F 55/00; A44D 2203/00; A61B 17/0664;  
A61B 17/04; A61B 17/1265; A43D  
79/00; A41B 3/08; A41F 15/02; A62F  
2/0063  
See application file for complete search history.

(56) **References Cited**

**U.S. PATENT DOCUMENTS**

1,092,579	A *	4/1914	Kohler	.....	E03C 1/22 4/288
3,788,677	A *	1/1974	Stade	.....	F16L 23/08 285/367
3,964,773	A *	6/1976	Stade	.....	F01N 13/1805 285/367
8,424,123	B2 *	4/2013	Svensson	.....	B02C 18/0092 241/46.016
D692,294	S *	10/2013	Koeniger	.....	D8/396
D721,950	S	2/2015	Quinlan et al.		
D790,673	S *	6/2017	Santos	.....	D23/261

D824,247	S *	7/2018	Minai	.....	D8/396
D828,523	S *	9/2018	Karnegie	.....	D23/261
D829,307	S *	9/2018	Gerger	.....	D23/261
D833,265	S *	11/2018	Meola	.....	D8/396
D837,950	S *	1/2019	Santos	.....	D23/261
D855,160	S *	7/2019	Najimi	.....	D23/261
10,393,290	B2 *	8/2019	Anderson	.....	F16L 3/1016
D861,473	S *	10/2019	Yesavage	.....	D8/396
D868,947	S *	12/2019	Cherng	.....	D23/261
D884,839	S *	5/2020	Ball	.....	D23/261
2014/0259346	A1 *	9/2014	Ball	.....	E03C 1/264 4/292

\* cited by examiner

*Primary Examiner* — John Windmuller

(74) *Attorney, Agent, or Firm* — McClure, Qualey & Rodack, LLP

(57) **CLAIM**

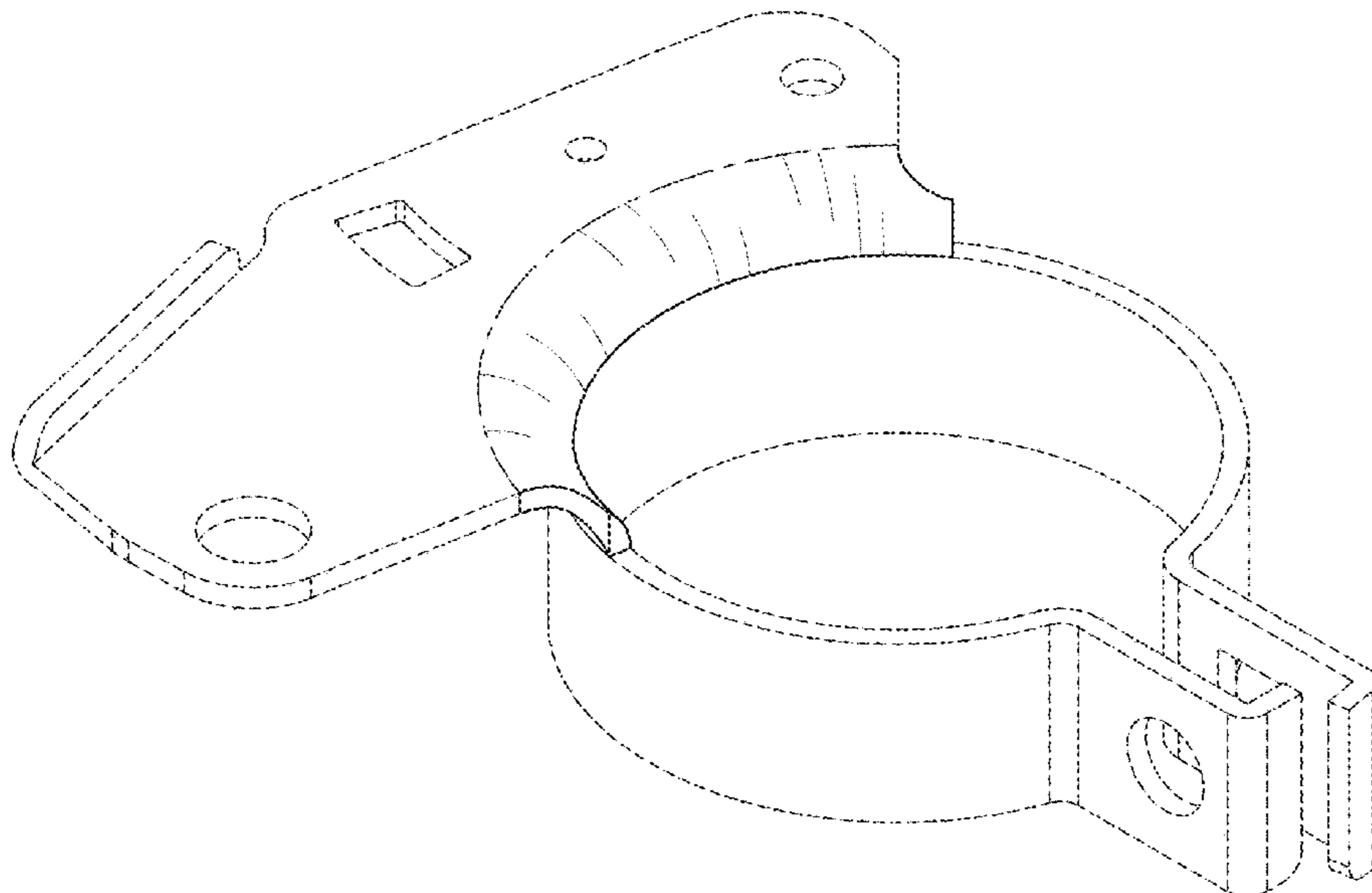
The ornamental design for a clamp, as shown and described.

**DESCRIPTION**

FIG. 1 is a perspective view of a clamp showing our new design;  
FIG. 2 is a front view thereof;  
FIG. 3 is a rear view thereof;  
FIG. 4 is a left view thereof;  
FIG. 5 is a right view thereof;  
FIG. 6 is a top plan view thereof;  
FIG. 7 is a bottom plan view thereof;  
FIG. 8 is a perspective view thereof disposed around a support arm of a satellite dish antenna; and,  
FIG. 9 is an enlarged perspective view of the area indicated on FIG. 8.

The broken lines in the drawings form no part of the claimed design. Broken lines formed by equal length dashes show unclaimed subject matter. Dash-dot-dash broken lines shown in the figures are for the purposes of illustrating boundaries which form no part of the claimed design.

**1 Claim, 7 Drawing Sheets**



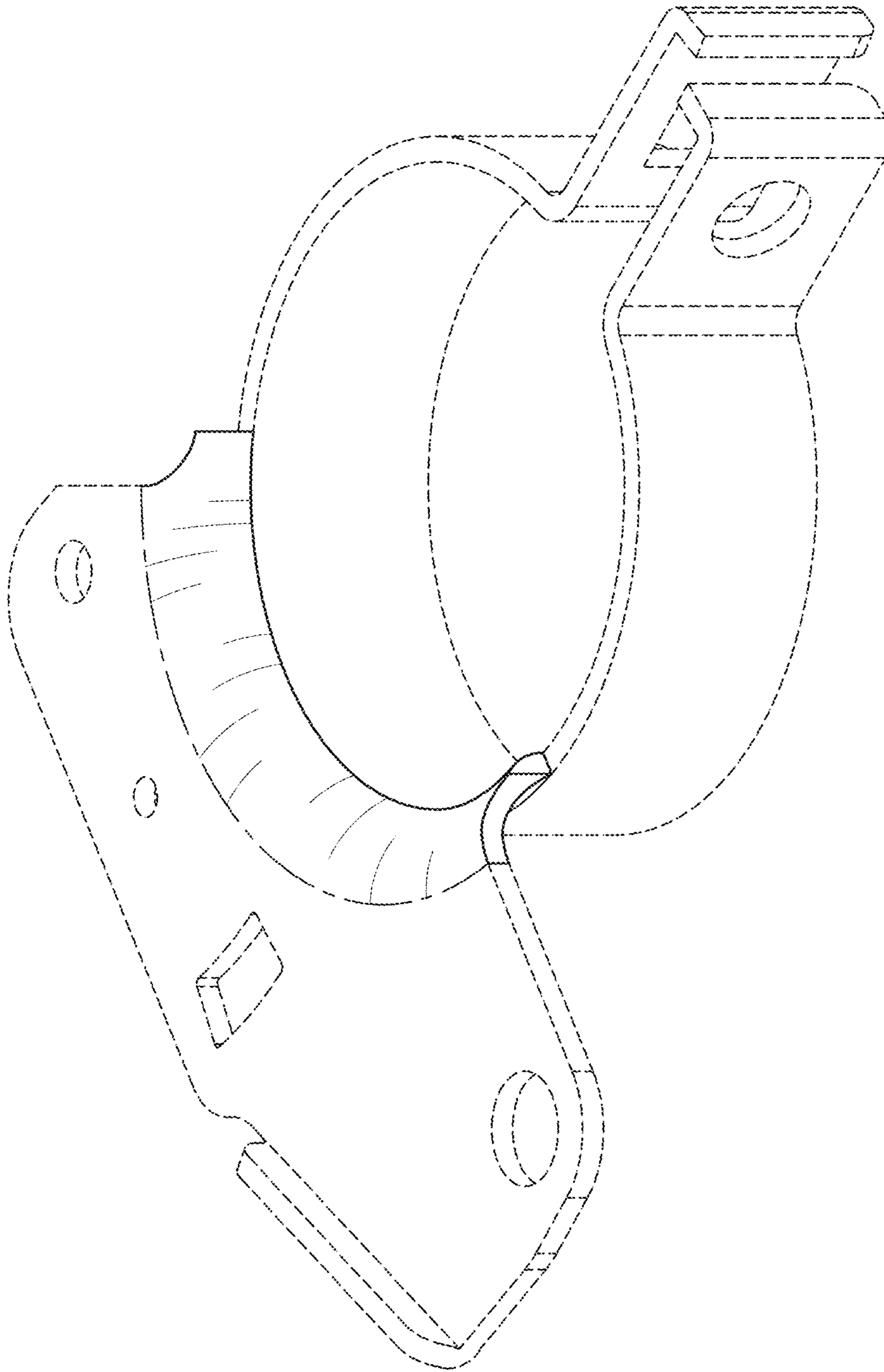


FIG. 1

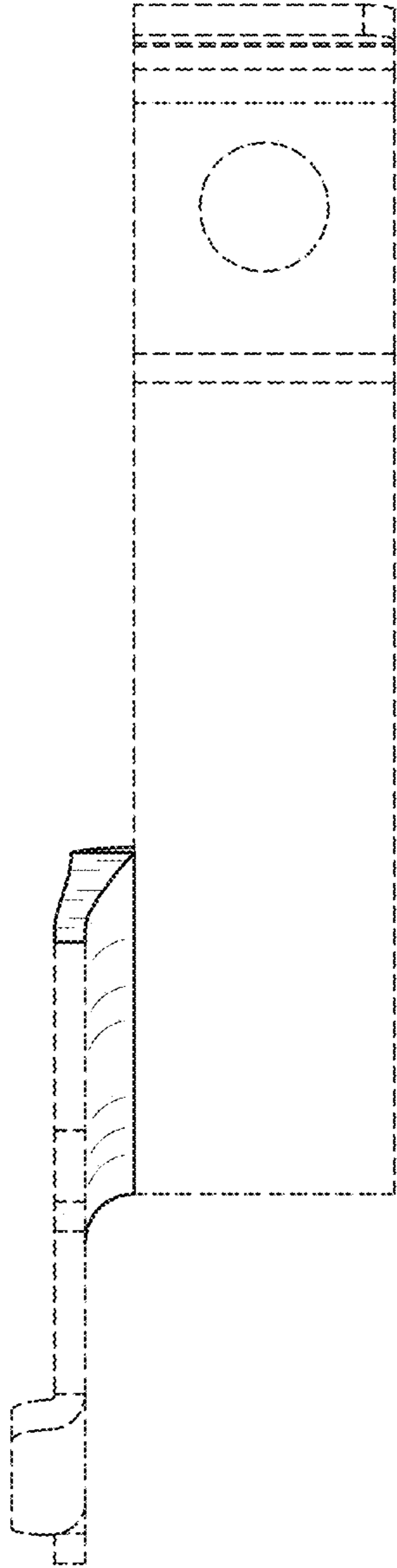


FIG. 2

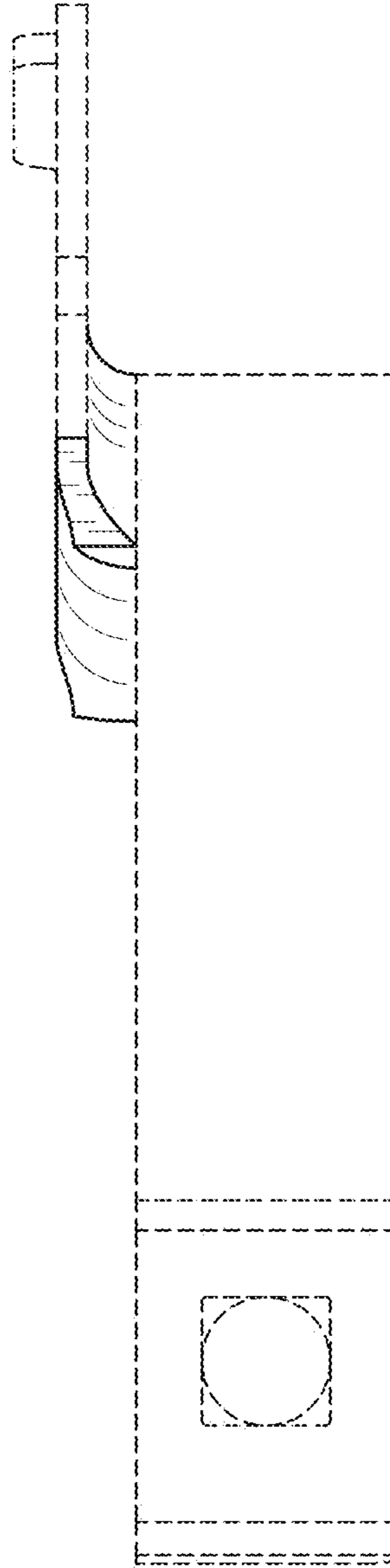


FIG. 3

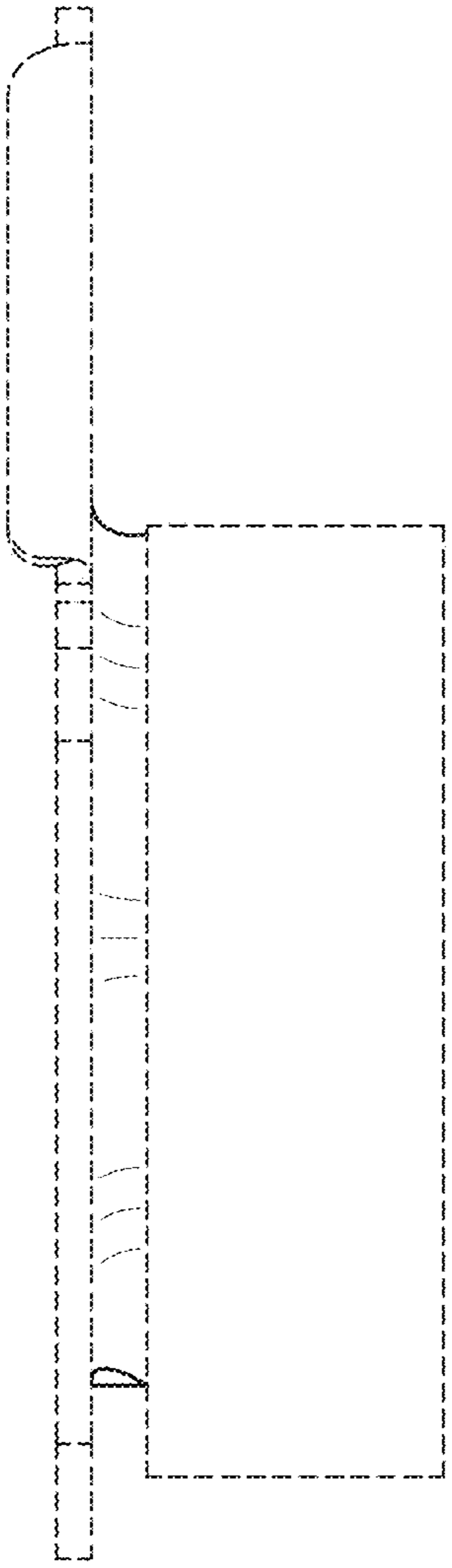


FIG. 4

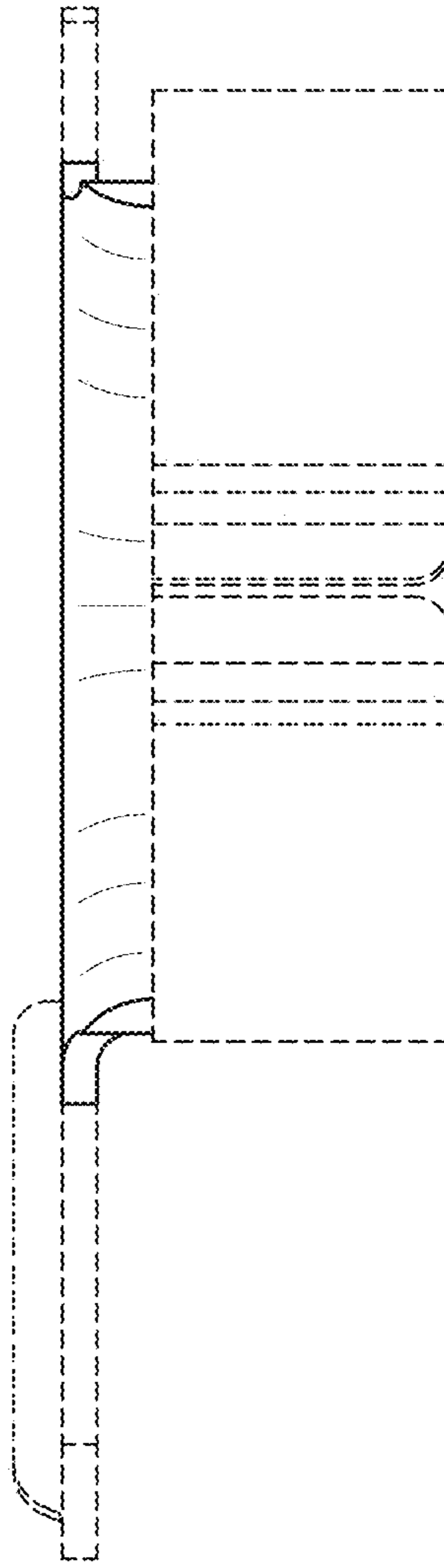


FIG. 5

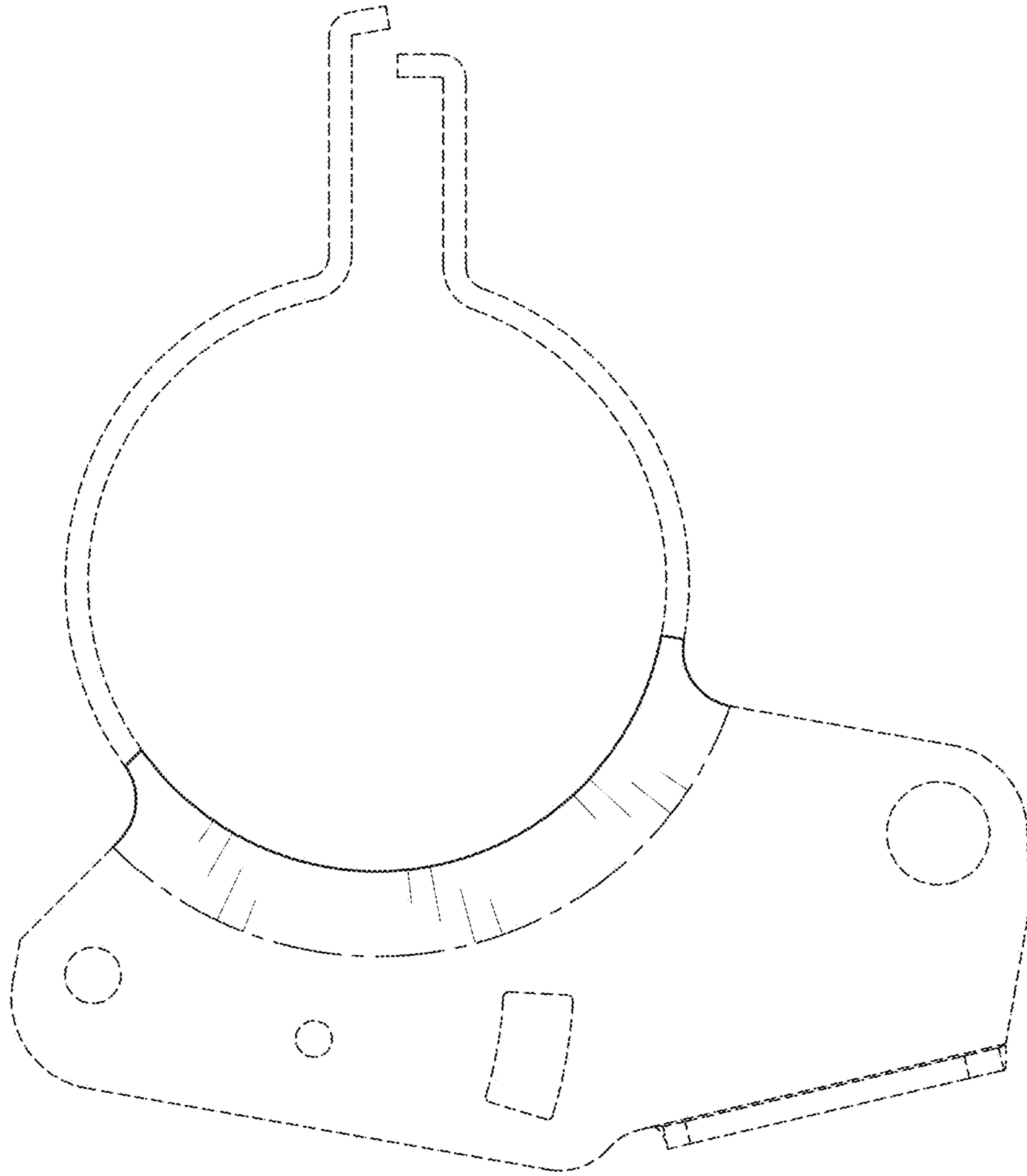


FIG. 6

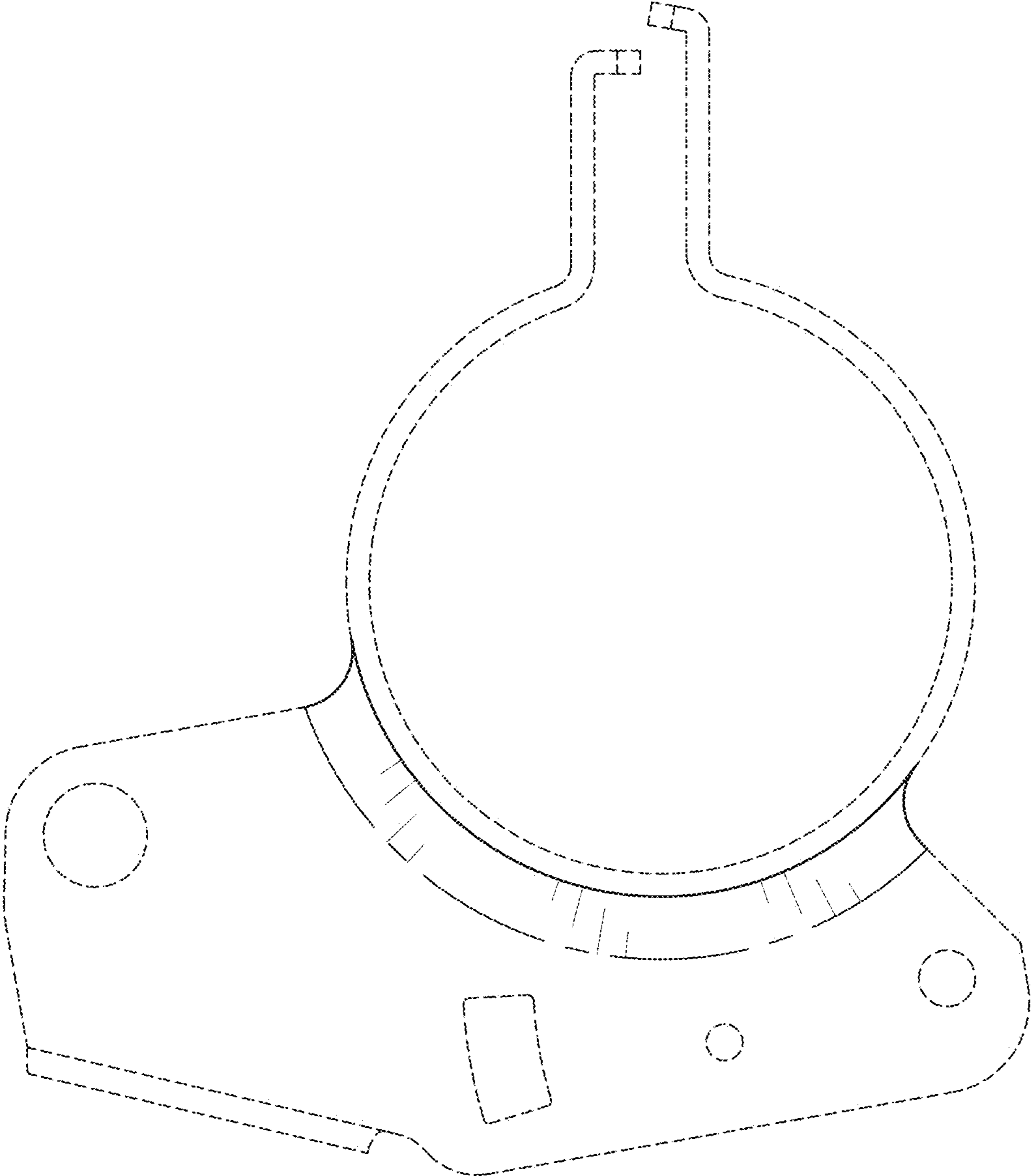


FIG. 7

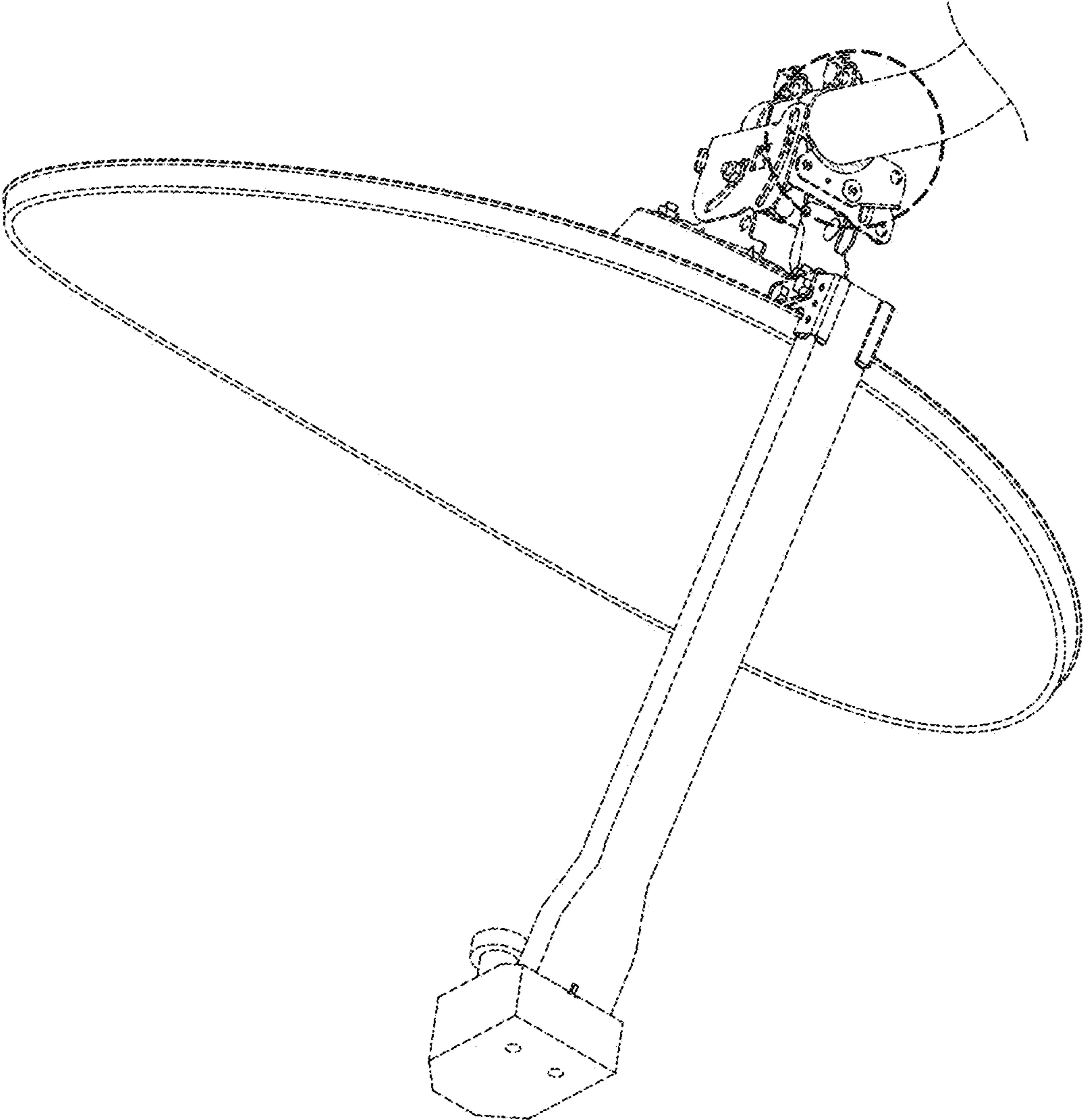


FIG. 8

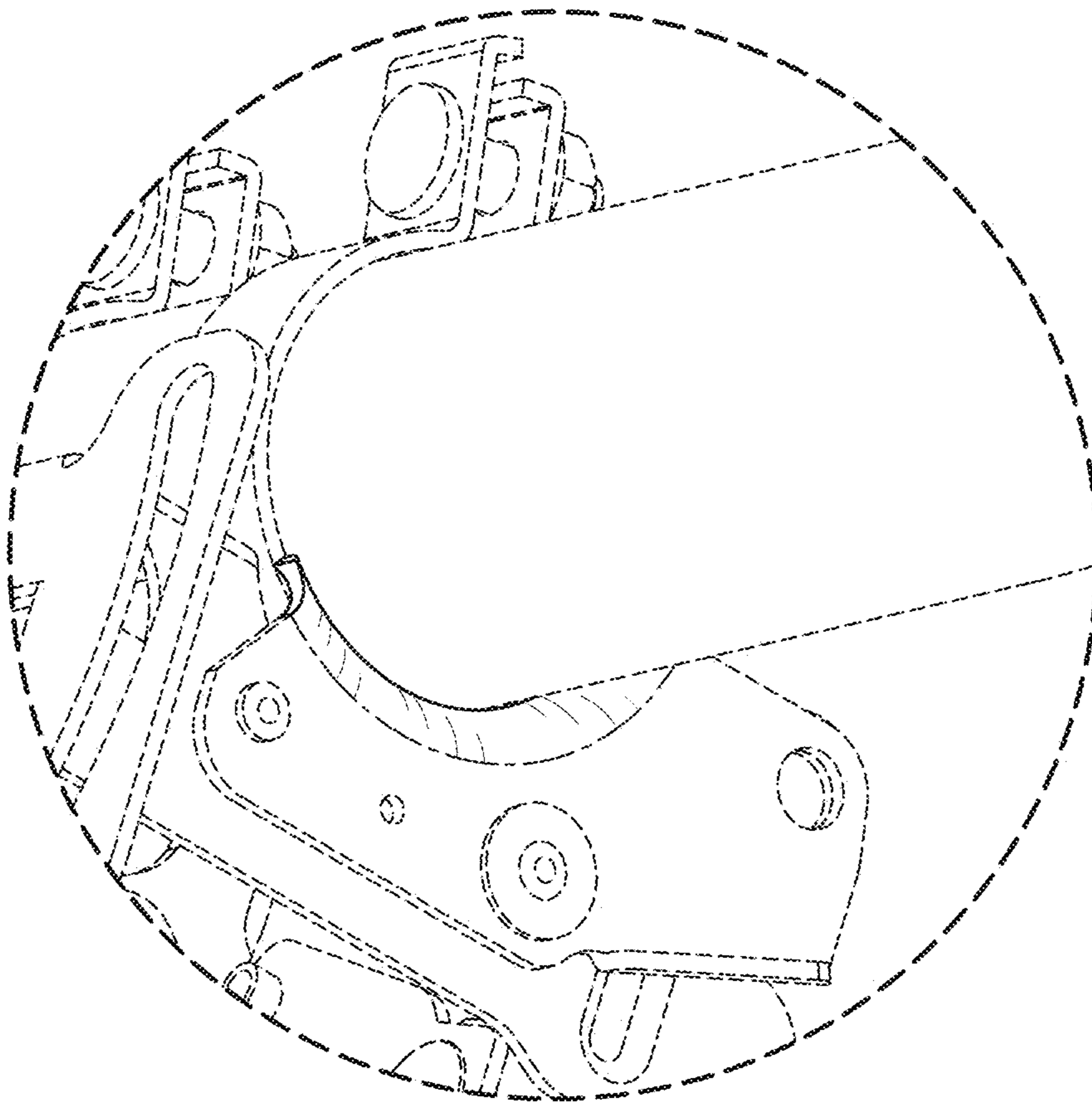


FIG. 9