

US00D897828S

(12) **United States Design Patent**  
**Lin**

(10) **Patent No.:** **US D897,828 S**

(45) **Date of Patent:** **\*\* Oct. 6, 2020**

(54) **CLAMP FOR POLES**

(71) Applicant: **Chien-Ting Lin**, Santa Fe Springs, CA (US)

(72) Inventor: **Chien-Ting Lin**, Santa Fe Springs, CA (US)

(\*\*) Term: **15 Years**

(21) Appl. No.: **29/647,808**

(22) Filed: **May 16, 2018**

(30) **Foreign Application Priority Data**

Nov. 16, 2017 (CN) ..... 2017 3 0565560

(51) **LOC (12) Cl.** ..... **08-08**

(52) **U.S. Cl.**  
USPC ..... **D8/396**

(58) **Field of Classification Search**  
USPC ..... D8/349, 354, 363, 373, 379, 382, 394,  
D8/395, 396, 499; D16/245  
CPC .... F16M 11/00; F16M 11/2021; F16M 11/28;  
F16M 11/18; F16M 11/245; F16M 11/14;  
H04R 1/28; H04R 1/02; H04R 2201/025;  
Y10T 24/44974

See application file for complete search history.

(56) **References Cited**

**U.S. PATENT DOCUMENTS**

- 2,151,768 A \* 3/1939 Humeston ..... F41G 11/003  
248/229.13
- D123,589 S \* 11/1940 Eden et al. .... 439/762
- 3,069,189 A \* 12/1962 Hollaender ..... E04G 7/14  
285/188
- 3,581,354 A \* 6/1971 Usiskin et al. .... G01B 5/0002  
24/569
- D250,221 S \* 11/1978 Clark ..... D17/22
- 4,360,177 A \* 11/1982 Dulhunty ..... H02G 7/053  
174/40 R
- D301,544 S \* 6/1989 de Faucamberge ..... D12/317

- D319,966 S \* 9/1991 Ellison ..... D8/382
- D344,672 S \* 3/1994 Current ..... D8/373
- D374,608 S \* 10/1996 Shoda ..... D8/382
- 5,632,459 A \* 5/1997 Brett ..... F16M 11/14  
248/122.1
- 5,934,628 A \* 8/1999 Bosnakovic ..... B60Q 7/00  
248/169
- 6,007,032 A \* 12/1999 Kuo ..... F16M 11/10  
248/125.1
- D453,102 S \* 1/2002 Postelwait ..... D8/349
- D505,617 S \* 5/2005 Eason ..... D8/396
- D550,075 S \* 9/2007 Tung ..... D8/396
- 7,273,198 B2 \* 9/2007 Tourtellotte ..... E04H 12/2238  
248/166
- D580,262 S \* 11/2008 Eason ..... F16B 7/0493  
D8/396
- D631,905 S \* 2/2011 Sandell ..... D16/245
- D661,981 S \* 6/2012 Melino, Sr. .... D8/396
- D672,229 S \* 12/2012 Reid ..... D8/396

(Continued)

*Primary Examiner* — Steven J Czyz

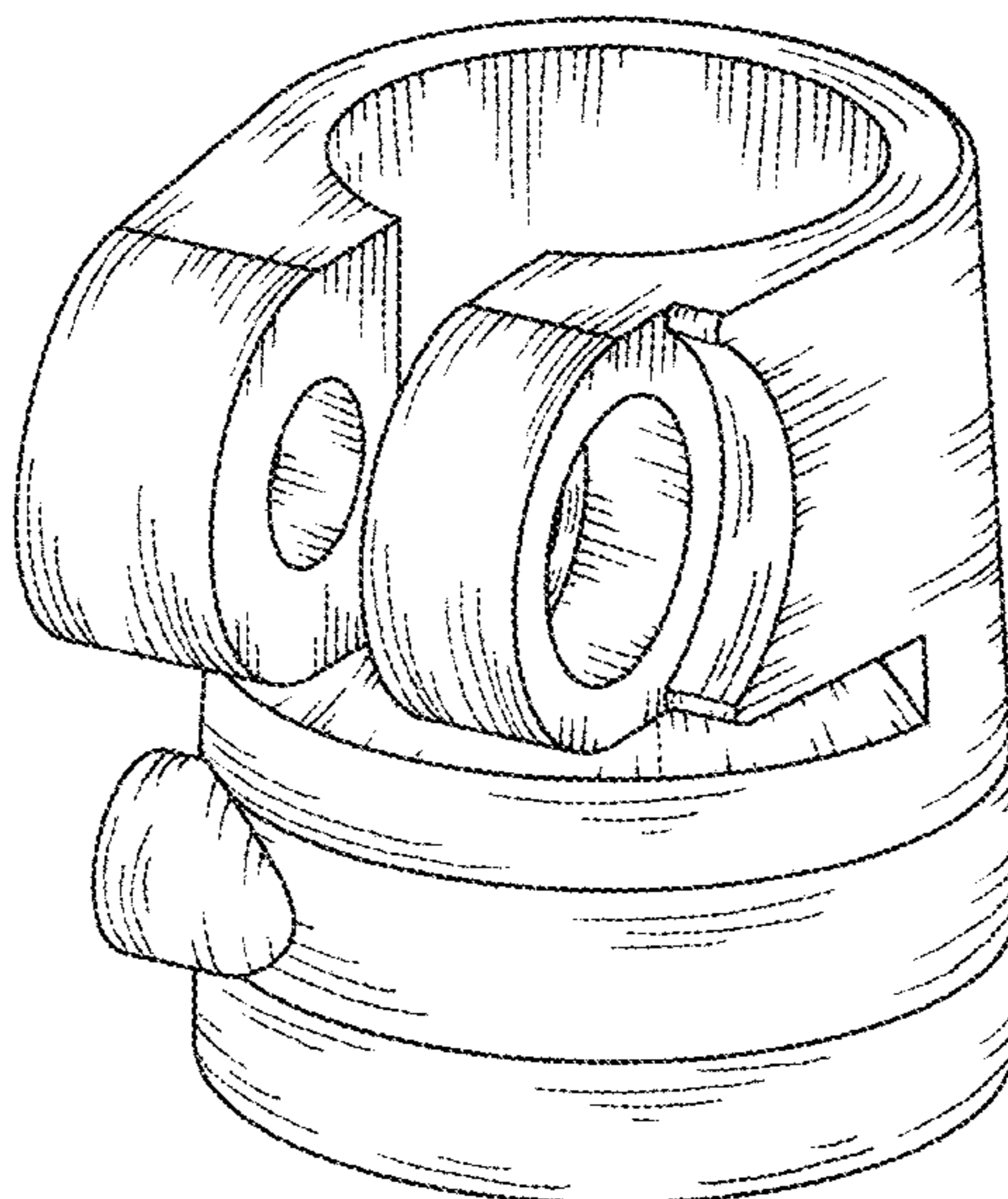
(57) **CLAIM**

The ornamental design for a clamp for poles, as shown and described.

**DESCRIPTION**

FIG. 1 is a perspective view of a clamp for poles showing my new design;  
 FIG. 2 is a front elevational view thereof;  
 FIG. 3 is a rear elevational view thereof;  
 FIG. 4 is a left elevational view thereof;  
 FIG. 5 is a right elevational view thereof;  
 FIG. 6 is a top view thereof;  
 FIG. 7 is a bottom view thereof; and,  
 FIG. 8 is a perspective view of the sleeve viewed from another direction.  
 The broken lines depict portions of the article that form no part of the claimed design.

**1 Claim, 8 Drawing Sheets**



(56)

**References Cited**

U.S. PATENT DOCUMENTS

D681,440	S	*	5/2013	Yu	.....	D8/396
D687,701	S	*	8/2013	Rast	.....	D8/382
D710,190	S	*	8/2014	Weger	.....	D8/396
D712,730	S	*	9/2014	Gridley	.....	D8/396
D723,902	S	*	3/2015	Wongso	.....	D8/349
D761,084	S	*	7/2016	Cox	.....	D8/354
D761,085	S	*	7/2016	Cox	.....	D8/354
D777,240	S	*	1/2017	Costa	.....	D16/245
D777,241	S	*	1/2017	Costa	.....	D16/245
D782,745	S	*	3/2017	Childs	.....	D29/130
D789,257	S	*	6/2017	Bucher	.....	D12/133
9,719,627	B2	*	8/2017	Hennessey	.....	F16M 11/28
D798,699	S	*	10/2017	Roiser	.....	D8/396
9,961,421	B2	*	5/2018	Liao	.....	H04R 1/02
D831,463	S	*	10/2018	Granberg	.....	D8/349
D832,694	S	*	11/2018	May	.....	D8/396
D833,265	S	*	11/2018	Meola	.....	D8/396

\* cited by examiner

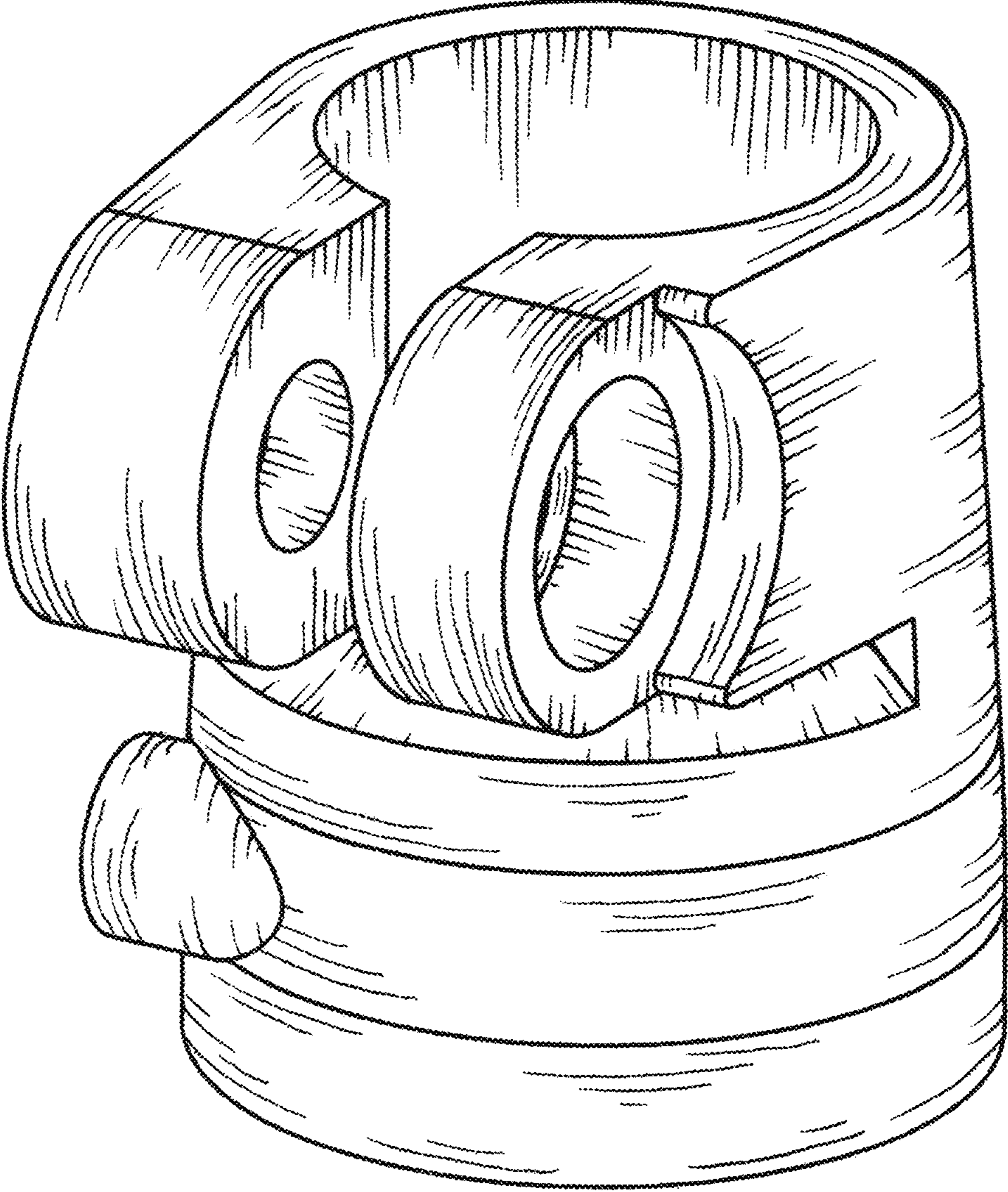


FIG. 1

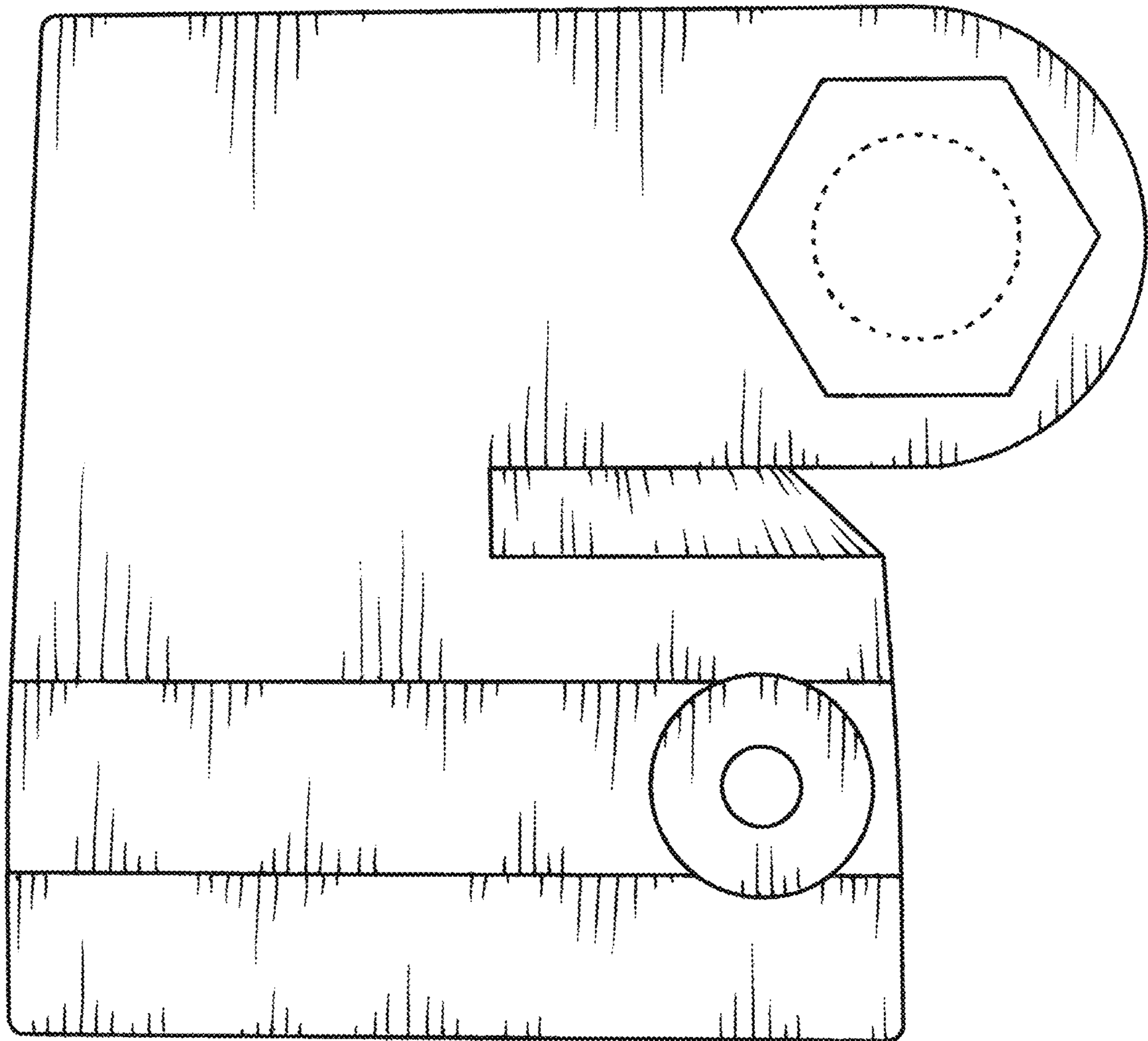


FIG. 2

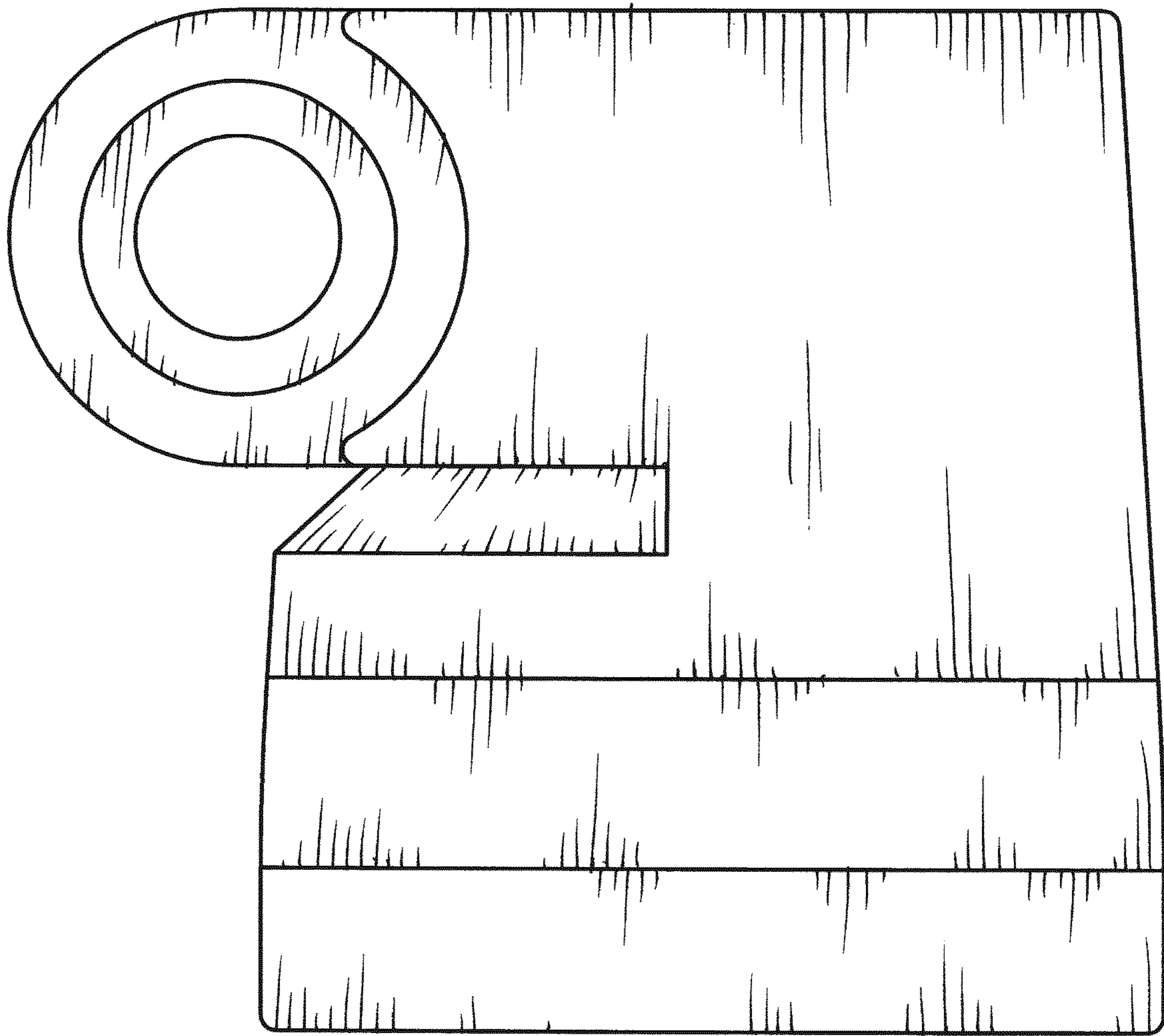


FIG. 3

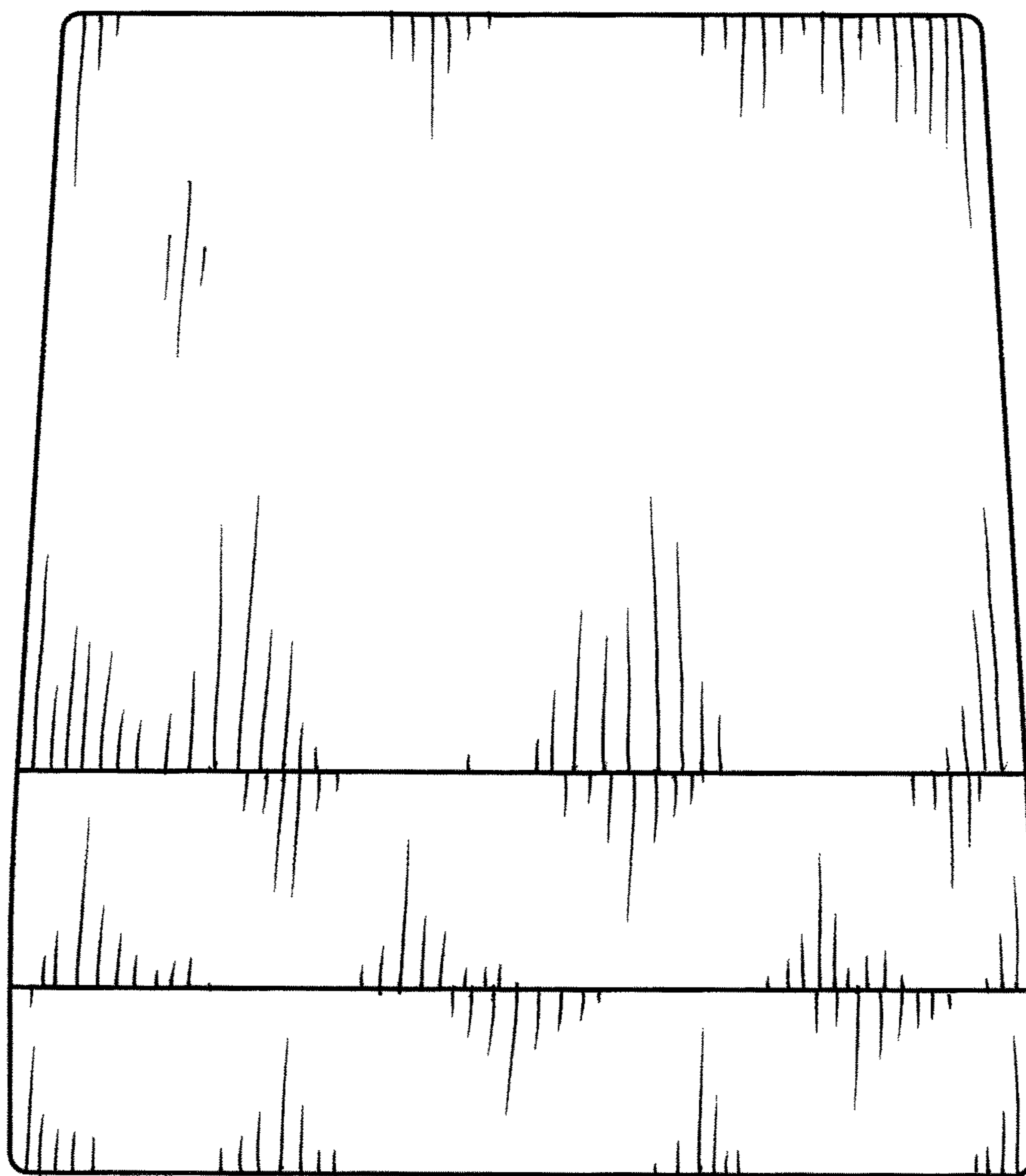


FIG. 4

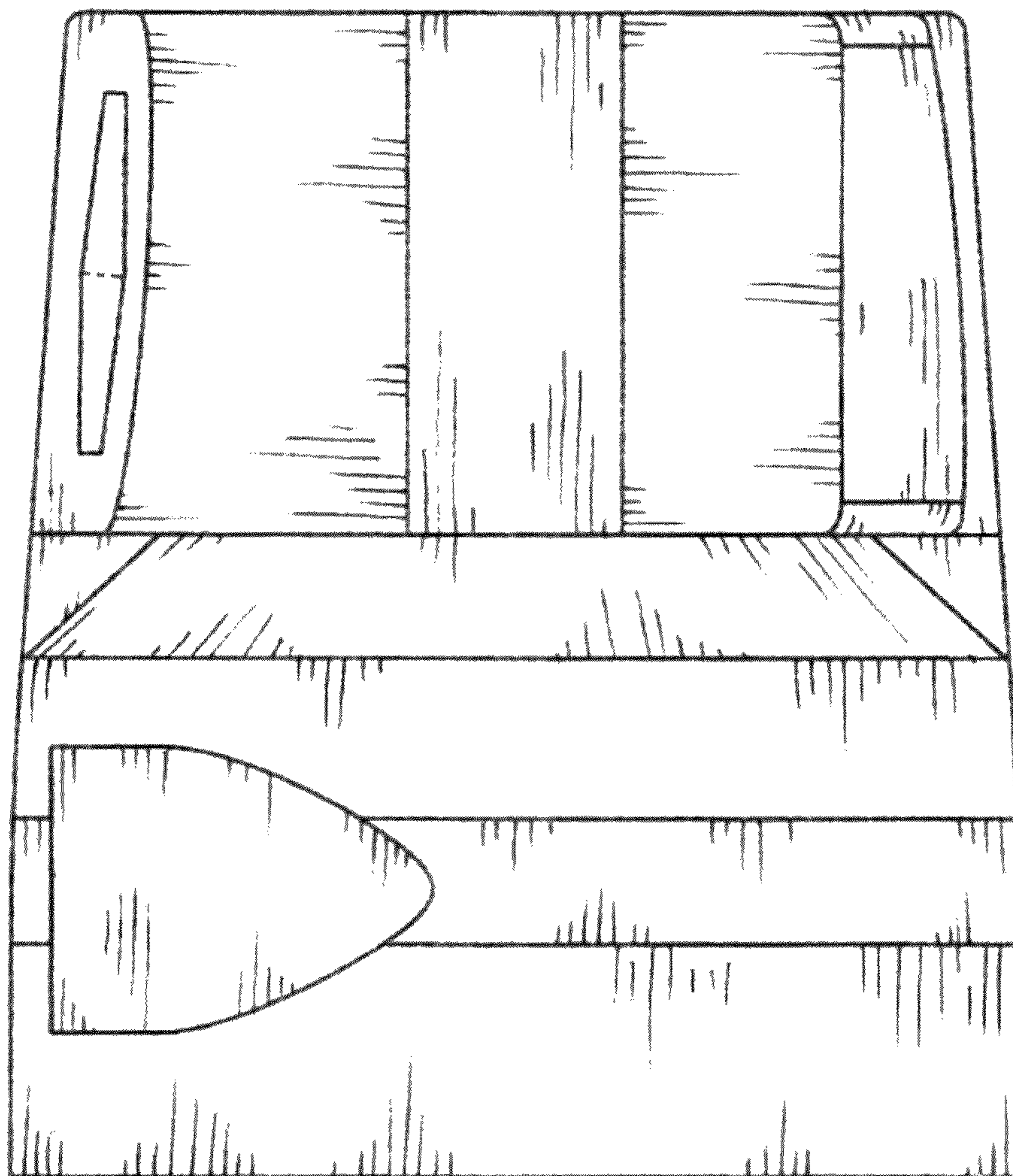


FIG. 5

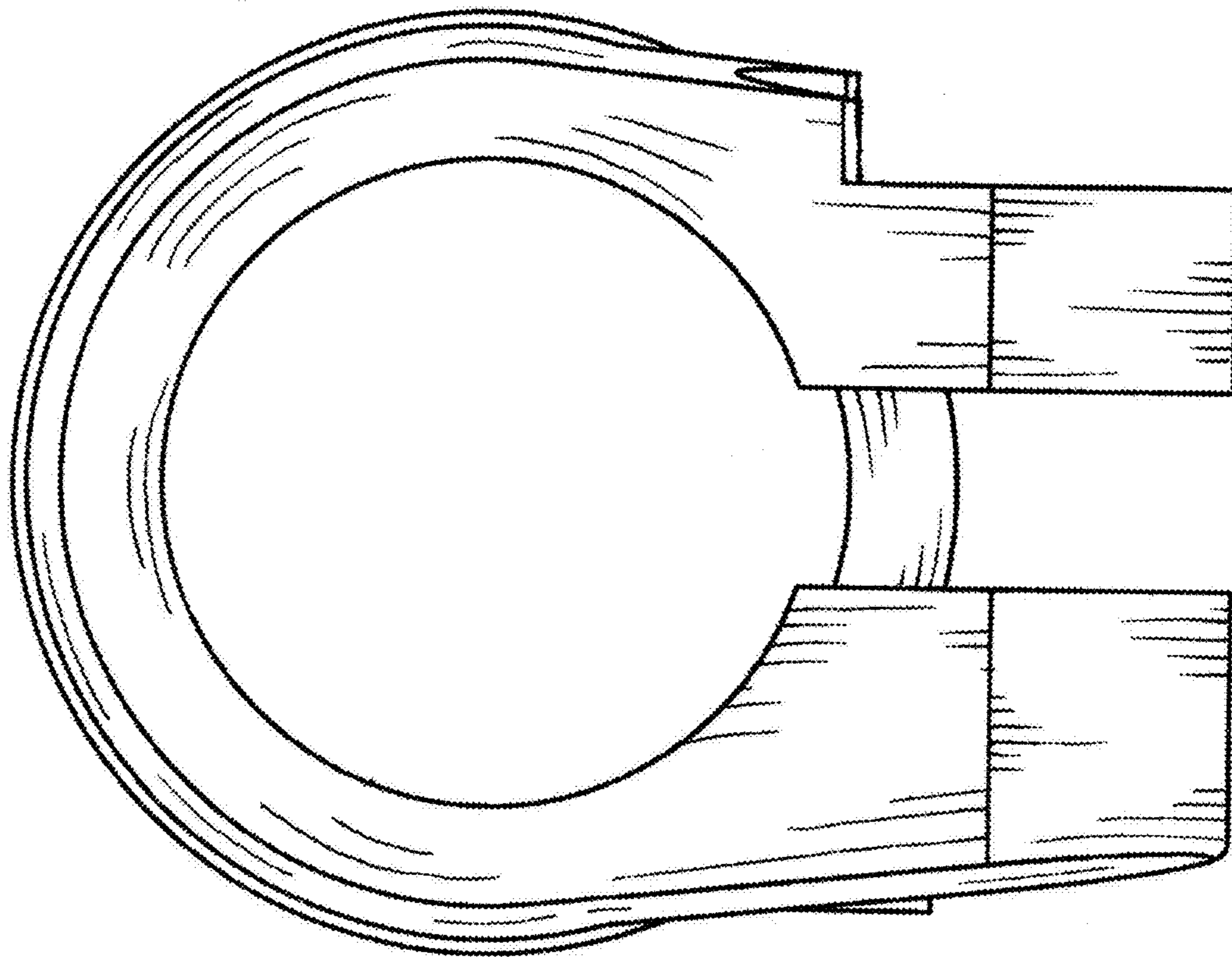


FIG. 6



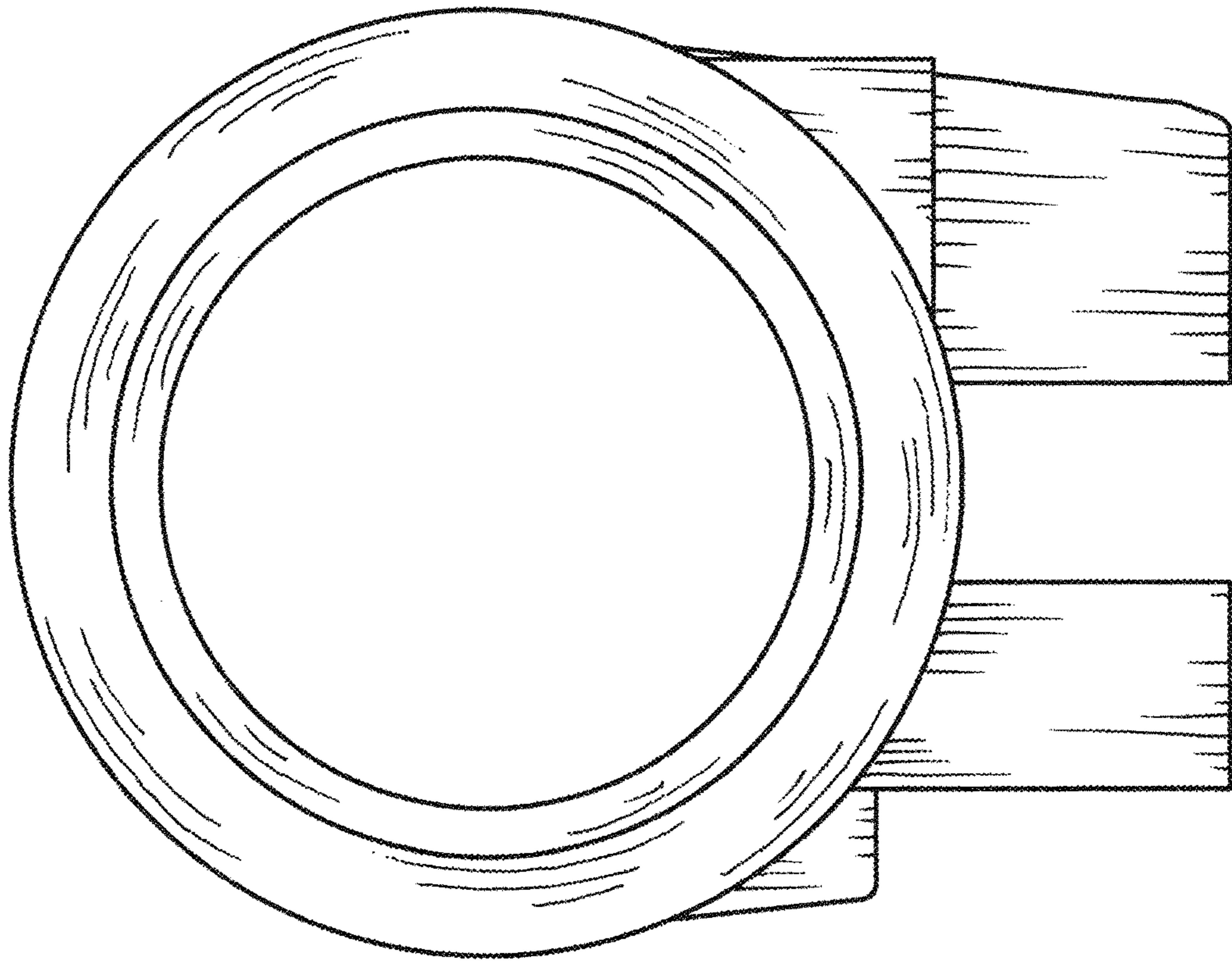


FIG. 7

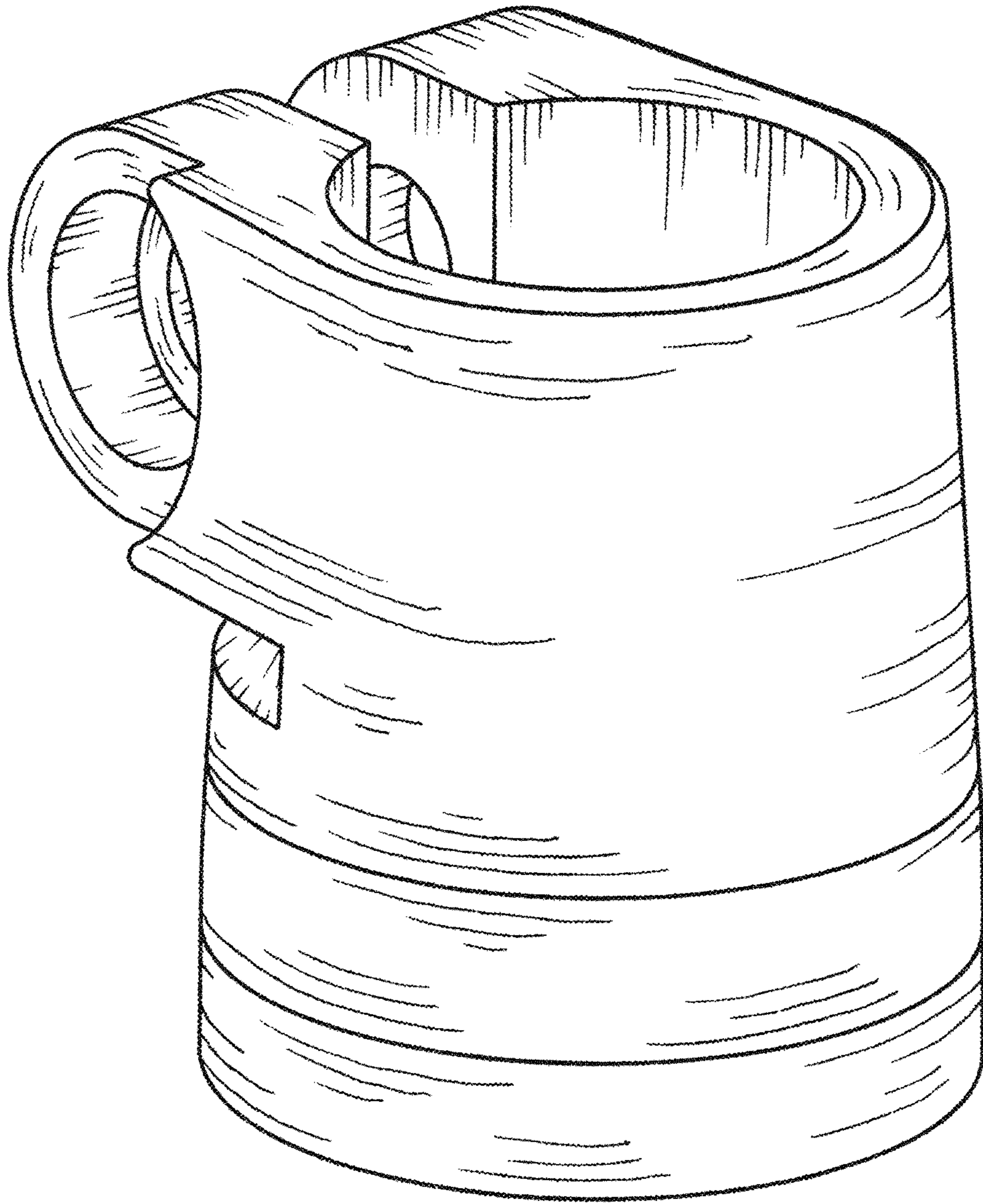


FIG. 8