

US00D897826S

(12) **United States Design Patent** (10) **Patent No.:** **US D897,826 S**  
**Scroggie et al.** (45) **Date of Patent:** **\*\* Oct. 6, 2020**

(54) **FASTENER**  
(71) Applicant: **Illinois Tool Works Inc.**, Glenview, IL (US)  
(72) Inventors: **Derek Scroggie**, Macomb, MI (US); **Michelle E. Bozinovski**, Oakland Charter Township, MI (US); **Robert A. Murawski**, Clinton Township, MI (US)

3,771,275 A 11/1973 Seckerson  
3,988,808 A 11/1976 Poe  
D268,006 S 2/1983 Wollar  
D268,894 S 5/1983 Wollar  
D273,091 S 3/1984 Kurosaki  
4,534,530 A 8/1985 Danko  
D284,934 S 8/1986 Okawa  
D291,054 S 7/1987 Niwa

(Continued)

(73) Assignee: **Illinois Tool Works Inc.**, Glenview, IL (US)

(\*\*) Term: **15 Years**

(21) Appl. No.: **29/732,671**

(22) Filed: **Apr. 27, 2020**

**Related U.S. Application Data**

(63) Continuation of application No. 15/987,986, filed on May 24, 2018, now Pat. No. 10,683,882, which is a continuation of application No. 14/652,819, filed on Jun. 17, 2015, now Pat. No. 9,982,694.

(51) **LOC (12) Cl.** ..... **08-05**

(52) **U.S. Cl.**  
USPC ..... **D8/382**

(58) **Field of Classification Search**  
USPC ..... D8/382  
CPC ..... F16B 5/0084; F16B 2/22; F16B 5/0607;  
F16B 6/0657; F16B 19/00; F16B 19/008  
See application file for complete search history.

(56) **References Cited**

**U.S. PATENT DOCUMENTS**

3,249,973 A 5/1966 Seckerson  
3,550,217 A 12/1970 Collyer  
3,577,603 A 5/1971 Seckerson  
3,678,797 A 7/1972 Seckerson  
3,745,612 A 7/1973 Seckerson

**FOREIGN PATENT DOCUMENTS**

FR 2913738 B1 10/2009  
JP 1174079 S 5/2003

(Continued)

*Primary Examiner* — Holly H Baynham

(74) *Attorney, Agent, or Firm* — Quarles & Brady LLP

(57) **CLAIM**

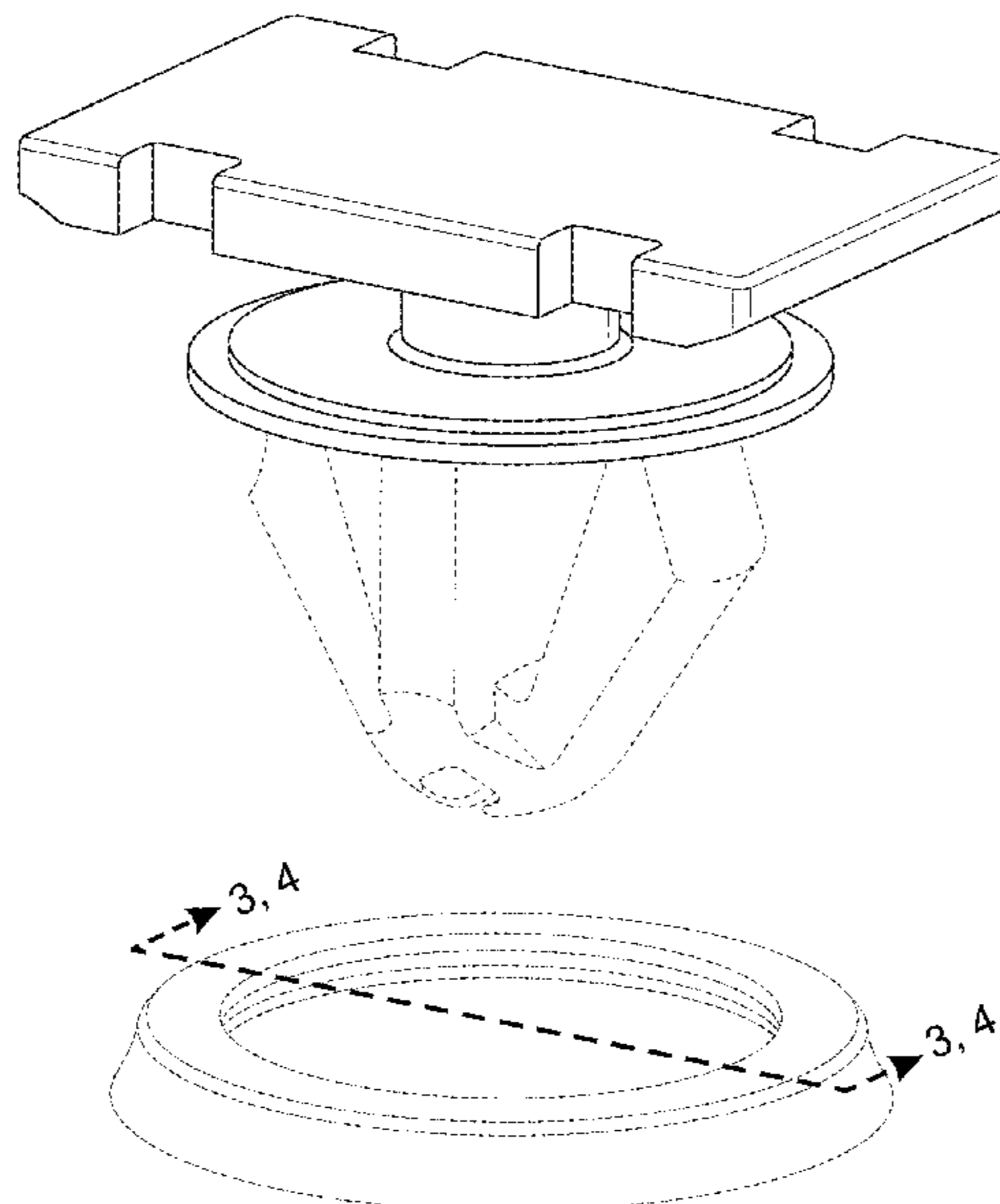
The ornamental design for a fastener, as shown and described.

**DESCRIPTION**

FIG. 1 is an enlarged exploded perspective view of a front, top, and right side of a fastener, the exploded perspective view of the rear, top, and left side being identical thereto; FIG. 2 is a perspective view of a front, top, and right side of the fastener of FIG. 1, the perspective view of the rear, top, and right side being a mirror image thereof; FIG. 3 is a front elevational view thereof; and, FIG. 4 is another environmental front elevational view thereof.

The fastener of FIGS. 1-4 includes portions illustrated in dash-dash-dash lines for the purpose of illustrating unclaimed subject matter that forms no part of the claimed design. FIGS. 2-4 include additional dash-dash-dash lines that are included for the purpose of illustrating unclaimed environmental structure, which forms no part of the claimed design.

**1 Claim, 3 Drawing Sheets**



(56)

References Cited

U.S. PATENT DOCUMENTS

D291,057 S 7/1987 Shiraishi  
 D293,882 S 1/1988 Takahashi  
 D293,883 S 1/1988 Hirohata  
 D293,884 S 1/1988 Hirohata  
 D297,613 S 9/1988 Yokoyama et al.  
 D297,614 S 9/1988 Yokoyama et al.  
 D297,615 S 9/1988 Nakama  
 4,778,320 A 10/1988 Nakama  
 D298,736 S 11/1988 Shiraishi  
 5,028,187 A 7/1991 Sato  
 D324,168 S 2/1992 Fujioka  
 D324,992 S 3/1992 Ono et al.  
 D325,696 S 4/1992 Kurihara et al.  
 D326,049 S 5/1992 Kurihara et al.  
 D326,605 S 6/1992 Nakanura  
 5,173,026 A 12/1992 Cordola  
 5,319,839 A 6/1994 Shimajiri  
 5,339,491 A 8/1994 Sims  
 D354,219 S 1/1995 Shimajiri  
 D355,113 S 2/1995 Shimajiri  
 5,393,185 A 2/1995 Duffy, Jr.  
 5,419,606 A 5/1995 Hull et al.  
 D362,176 S 9/1995 Solbeck  
 5,458,365 A 10/1995 Rogers  
 5,573,362 A 11/1996 Asami  
 D378,349 S 3/1997 Saito et al.  
 D380,667 S 7/1997 Kanamori et al.  
 D381,258 S 7/1997 Saito  
 D382,466 S 8/1997 Hirose  
 D382,468 S 8/1997 Takahashi  
 5,704,753 A 1/1998 Ueno  
 D390,776 S 2/1998 Ueno  
 D392,554 S 3/1998 Shimazu et al.  
 5,797,714 A 8/1998 Oddenino  
 5,865,500 A 2/1999 Sanada  
 D410,194 S 5/1999 Hilton et al.  
 6,305,055 B1 10/2001 Castro  
 D451,789 S 12/2001 Hsieh  
 D456,699 S 5/2002 Nakanishi  
 D464,873 S 10/2002 Nemoto  
 D471,084 S 3/2003 Nemoto  
 6,572,317 B2 6/2003 Okada  
 6,659,701 B1\* 12/2003 Risdale ..... F16B 5/065  
 411/508  
 D484,779 S 1/2004 Shibuya  
 6,715,185 B2 4/2004 Angellotti  
 6,805,524 B2 10/2004 Kanie  
 D498,414 S 11/2004 Yoneoka  
 D500,245 S 12/2004 Okada  
 6,910,840 B2 6/2005 Anscher  
 6,974,292 B2 12/2005 Hansen  
 7,017,239 B2 3/2006 Kurily et al.  
 D529,793 S 10/2006 Kuroda  
 D536,956 S 2/2007 Huang  
 D564,344 S 3/2008 Nakazato  
 D566,534 S 4/2008 Okada  
 D566,535 S 4/2008 Asano et al.  
 D577,284 S 9/2008 Katoh

D582,262 S 12/2008 Kudo  
 7,481,474 B2 1/2009 Higgins  
 D589,333 S 3/2009 Nakazato  
 D590,242 S 4/2009 Carter  
 D617,178 S 6/2010 Sakai  
 7,770,266 B2 8/2010 Higgins  
 D625,587 S 10/2010 Obuchi et al.  
 D632,550 S 2/2011 Watanabe  
 D635,451 S 4/2011 Sekine  
 7,927,050 B2 4/2011 Koike  
 D640,917 S 7/2011 Okada et al.  
 D664,027 S 7/2012 Vosika et al.  
 D665,245 S 8/2012 Nakazato  
 D666,900 S 9/2012 Ogino et al.  
 D673,841 S 1/2013 Hirano  
 D675,506 S 2/2013 Araki  
 D675,507 S 2/2013 Araki  
 D675,508 S 2/2013 Hirano  
 D686,487 S 7/2013 Handa et al.  
 8,511,631 B2 8/2013 Kato  
 D688,937 S 9/2013 Brewer  
 8,561,265 B2 10/2013 Benedetti  
 D695,600 S 12/2013 Fujioka  
 D701,112 S 3/2014 Ukai et al.  
 D701,450 S 3/2014 Ukai et al.  
 D704,538 S 5/2014 Fujiwara  
 8,883,059 B2 11/2014 Lewis  
 8,936,420 B2\* 1/2015 Scroggie ..... F16B 5/065  
 411/45  
 D723,906 S 3/2015 Kato et al.  
 D724,419 S 3/2015 Ikeda  
 D752,952 S 4/2016 Barz  
 D768,472 S 10/2016 Yoshihashi  
 D803,037 S 11/2017 Maloney et al.  
 9,873,388 B2\* 1/2018 Meyers ..... B60R 13/0206  
 D817,162 S 5/2018 Kaji et al.  
 D863,049 S 10/2019 Sweeney et al.  
 10,451,100 B2\* 10/2019 Flynn ..... F16B 21/086  
 10,688,943 B2\* 6/2020 Bachelder ..... F16B 2/22  
 2003/0156917 A1\* 8/2003 Heflin ..... F16B 19/1081  
 411/45  
 2005/0079033 A1 4/2005 Benedetti  
 2005/0150087 A1 7/2005 Lyndan  
 2006/0086765 A1 4/2006 Harberts  
 2006/0099051 A1 5/2006 Moerke  
 2006/0231690 A1 10/2006 Cooley et al.  
 2007/0166127 A1\* 7/2007 Scroggie ..... F16B 21/20  
 411/508  
 2010/0098515 A1 4/2010 Raymond  
 2010/0029376 A1 11/2010 Koike  
 2011/0119875 A1 5/2011 Iwasaki  
 2011/0243688 A1 10/2011 Klein  
 2013/0129450 A1 5/2013 Aoki  
 2015/0322985 A1 11/2015 Scroggie et al.  
 2018/0339665 A1 11/2018 Diep et al.

FOREIGN PATENT DOCUMENTS

WO 2009123616 A1 10/2009  
 WO 2017205022 A1 11/2017

\* cited by examiner

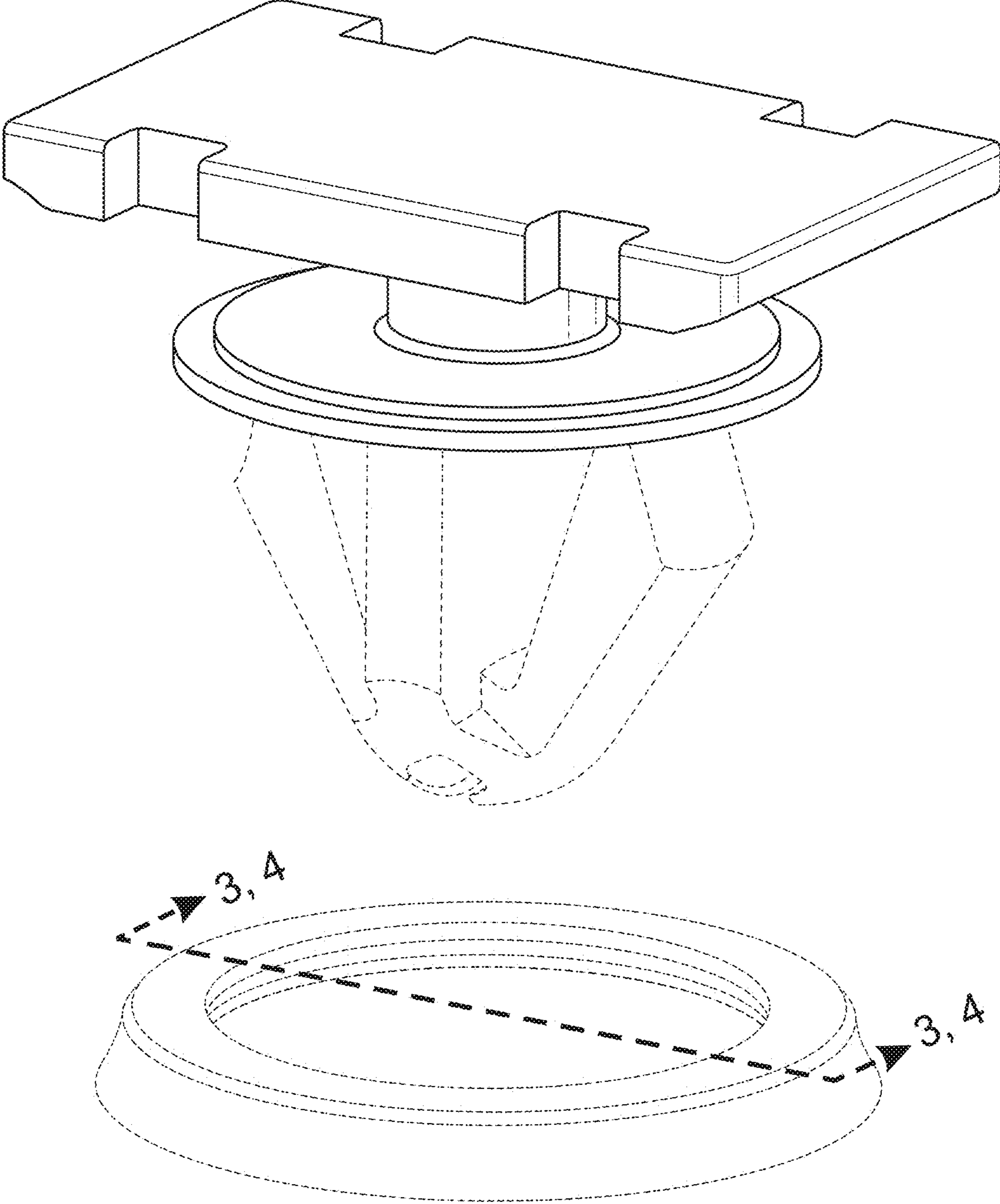


FIG. 1

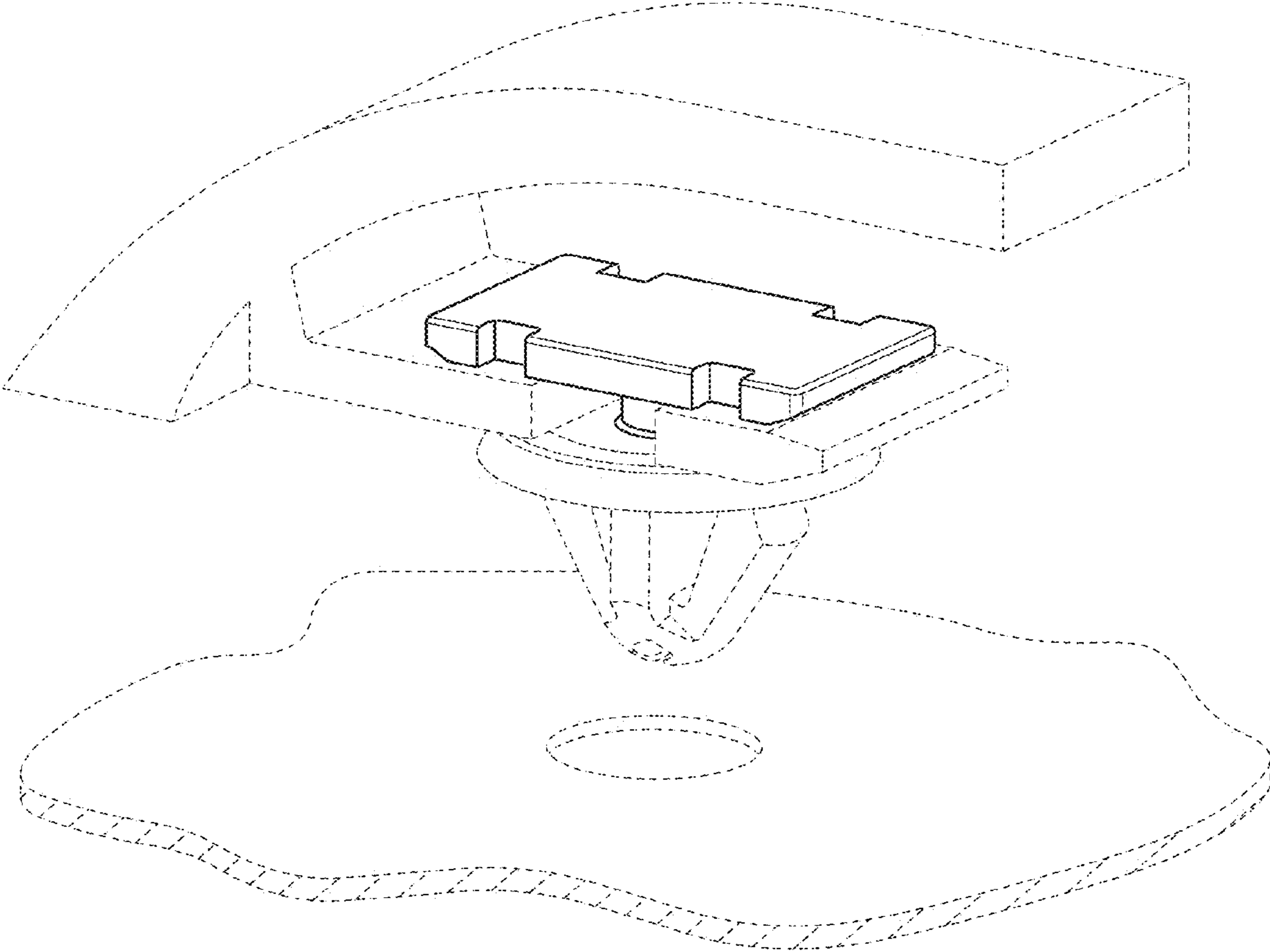


FIG. 2

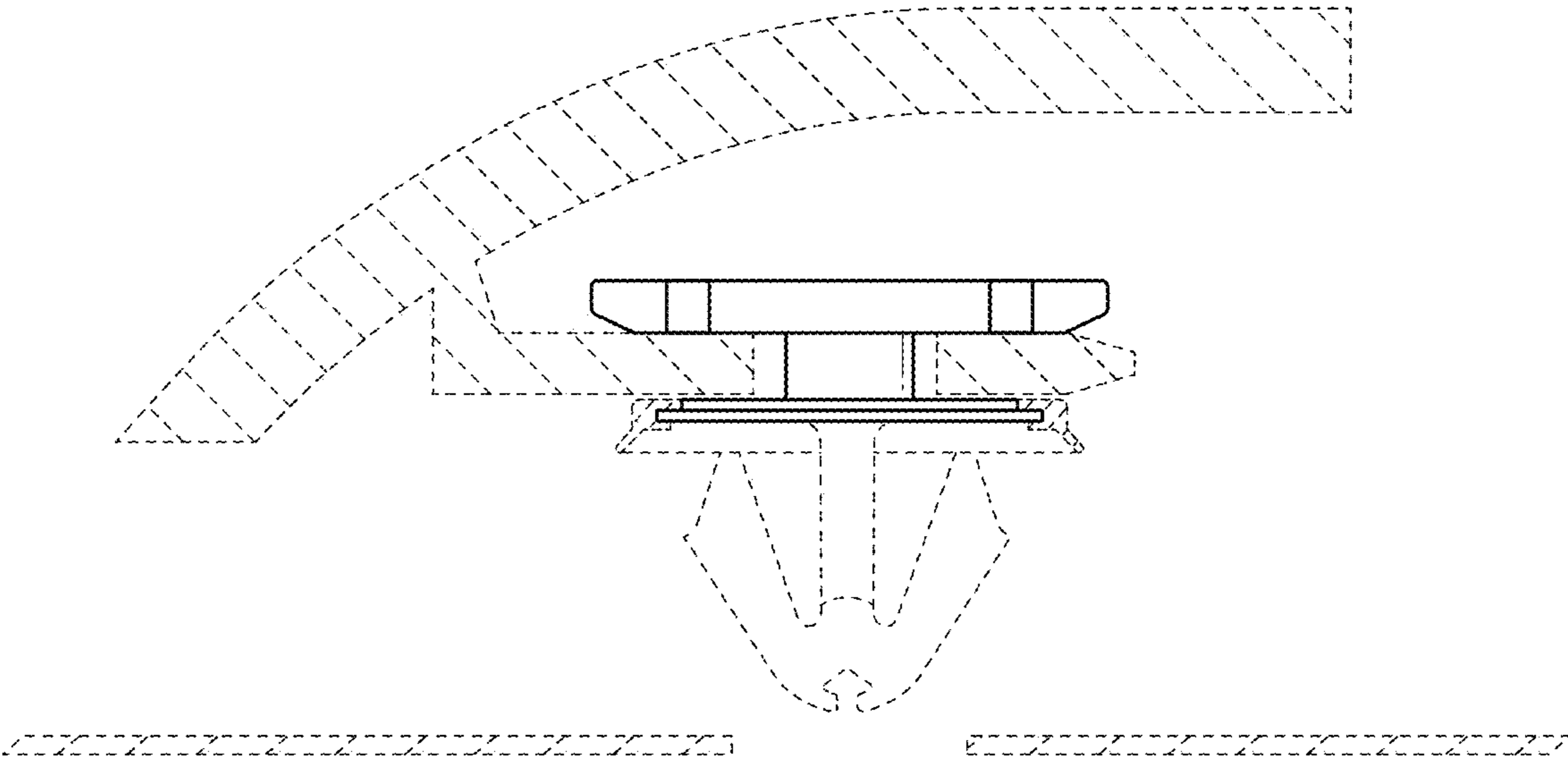


FIG. 3

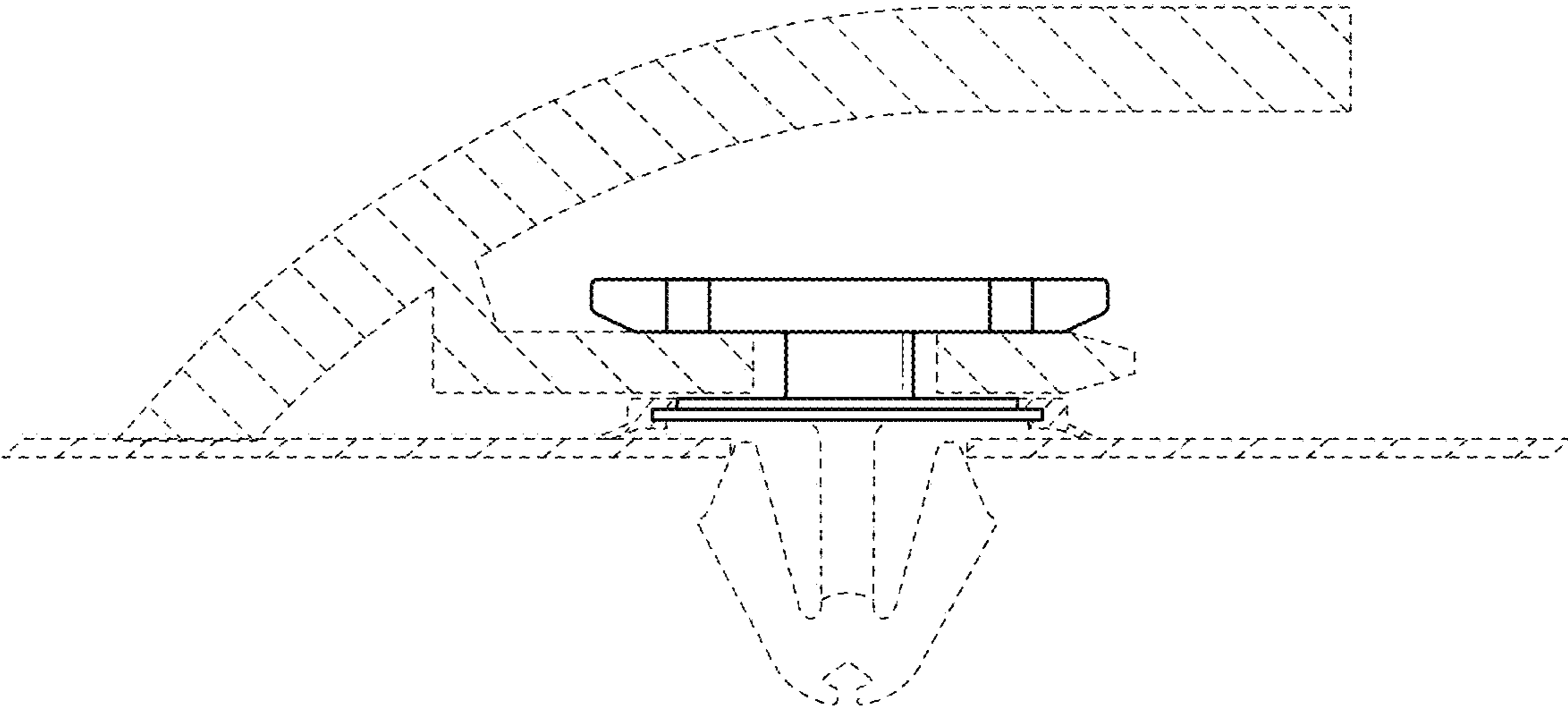


FIG. 4