

US00D897825S

(12) **United States Design Patent** (10) **Patent No.:** **US D897,825 S**  
**Eads** (45) **Date of Patent:** **\*\* Oct. 6, 2020**

(54) **ROBE HOOK**  
(71) Applicant: **DELTA FAUCET COMPANY,**  
Indianapolis, IN (US)  
(72) Inventor: **Thad Eads,** Urbana, IN (US)  
(73) Assignee: **DELTA FAUCET COMPANY,**  
Indianapolis, IN (US)  
(\*\*) Term: **15 Years**  
(21) Appl. No.: **29/683,488**  
(22) Filed: **Mar. 13, 2019**  
(51) **LOC (12) Cl.** ..... **08-05**  
(52) **U.S. Cl.**  
USPC ..... **D8/367**  
(58) **Field of Classification Search**  
USPC ..... D8/367, 354, 349, 356; D12/162; 47/46;  
D6/315, 323  
CPC ... A47G 29/083; F16B 45/00; A63B 21/0557;  
B60P 7/0823; E01F 16/06; B42F 15/0035  
See application file for complete search history.

(56) **References Cited**

**U.S. PATENT DOCUMENTS**

3,089,597 A \* 5/1963 Kaplan ..... A47K 10/185  
221/46  
D342,889 S \* 1/1994 Adams ..... D8/367  
D363,453 S \* 10/1995 Herdt ..... D11/78.1  
D373,526 S \* 9/1996 Roethler ..... D8/367  
D373,948 S \* 9/1996 Etzel ..... D8/367  
D391,146 S \* 2/1998 Cutler ..... D8/367  
D393,587 S \* 4/1998 Valerio ..... D8/367  
5,738,319 A \* 4/1998 Grassi ..... A47G 7/044  
248/215  
5,970,777 A \* 10/1999 Hunt ..... B42F 1/06  
29/13  
6,457,218 B1 \* 10/2002 Lawrence ..... B42F 1/10  
24/3.12

6,543,737 B2 \* 4/2003 Decker ..... A47K 10/185  
248/316.1  
D478,499 S \* 8/2003 Winig ..... D8/367  
D494,050 S \* 8/2004 Klein ..... D6/513  
7,234,671 B2 \* 6/2007 Avinger ..... A01G 5/04  
248/215  
D554,484 S \* 11/2007 Dahlin ..... D8/367  
D584,939 S \* 1/2009 Snell ..... D8/367  
D597,666 S \* 8/2009 George ..... D24/128  
D601,880 S \* 10/2009 Veilleux ..... D8/367  
D605,934 S \* 12/2009 Mirer ..... D8/395  
D613,589 S \* 4/2010 Goodman ..... D8/367  
7,992,833 B1 \* 8/2011 Goodman ..... A47G 25/0614  
248/298.1  
D655,407 S \* 3/2012 Adams ..... D24/128  
D674,681 S \* 1/2013 Gorman ..... D8/367  
D694,613 S \* 12/2013 Miles ..... D8/367  
D697,785 S \* 1/2014 Davis ..... D8/367  
8,672,002 B2 \* 3/2014 Stein ..... A45C 13/001  
150/104  
D714,626 S \* 10/2014 Trifari, Jr. .... D8/354

(Continued)

*Primary Examiner* — Cynthia R Underwood  
(74) *Attorney, Agent, or Firm* — Nirav D. Parikh; Edgar  
A. Zarins

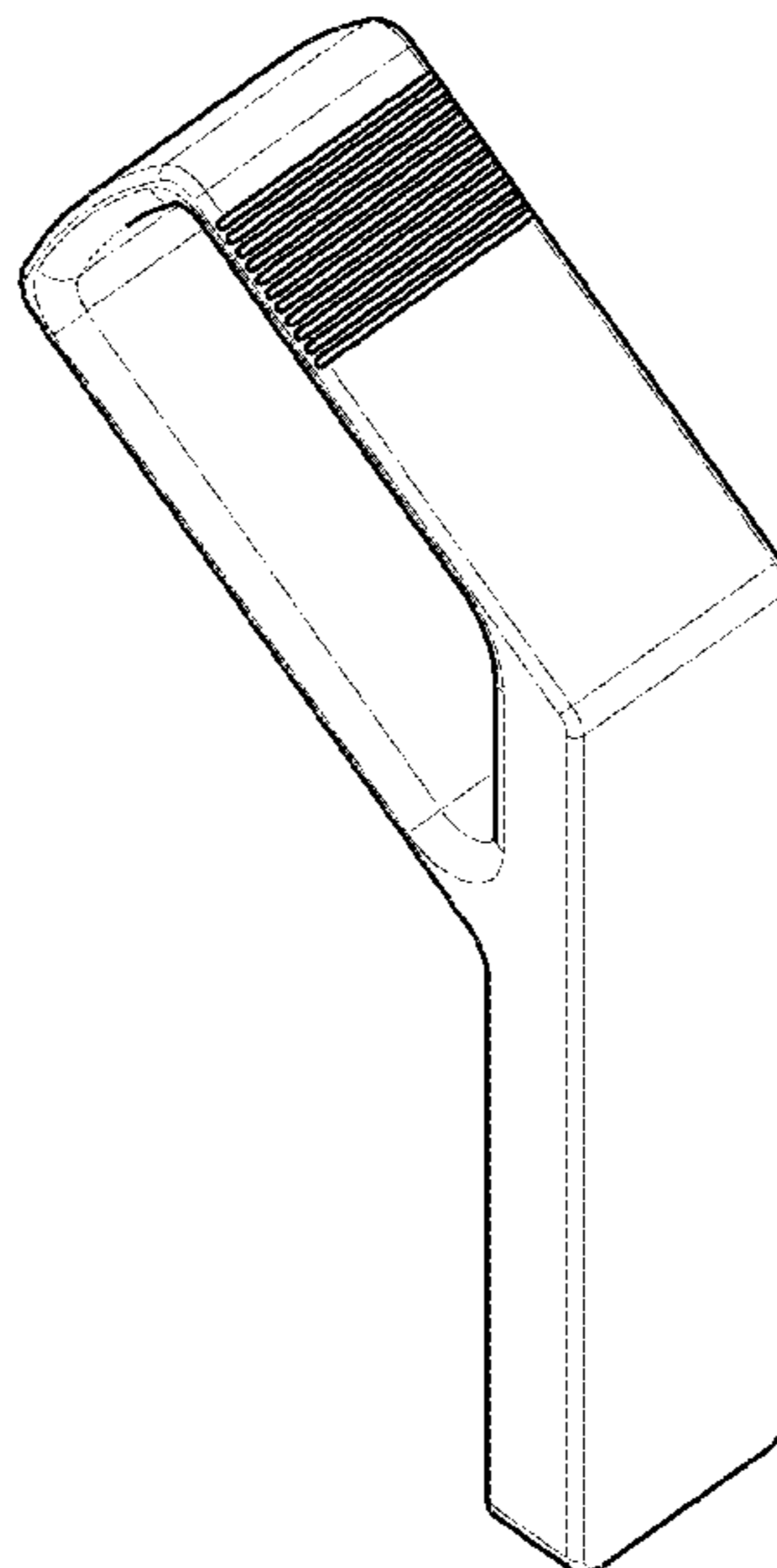
(57) **CLAIM**

The ornamental design for a robe hook, as shown and described.

**DESCRIPTION**

FIG. 1 is a front perspective view of a robe hook showing my new design;  
FIG. 2 is a rear perspective view thereof;  
FIG. 3 is a front elevational view thereof;  
FIG. 4 is a left side view thereof;  
FIG. 5 is a rear view thereof;  
FIG. 6 is a right side view thereof;  
FIG. 7 is a top plan view thereof; and,  
FIG. 8 is a bottom view thereof.

**1 Claim, 4 Drawing Sheets**



(56)

References Cited

U.S. PATENT DOCUMENTS

D721,264	S *	1/2015	Babicki .....	D8/367
9,107,526	B2 *	8/2015	Rife .....	A47G 29/083
D746,127	S *	12/2015	Cohen .....	D8/367
D757,513	S *	5/2016	Heins .....	D8/40
D766,707	S *	9/2016	Greenleaf .....	D8/367
9,433,261	B1 *	9/2016	Miles .....	A44B 13/0029
D773,041	S *	11/2016	Lentsch .....	D24/128
9,528,655	B1 *	12/2016	Miles .....	F16M 13/022
D784,044	S *	4/2017	Sokoly .....	D6/552
D802,399	S *	11/2017	Ward .....	D8/367
D819,431	S *	6/2018	Goodman .....	D8/367
D827,315	S *	9/2018	Taylor .....	D6/323
D834,338	S *	11/2018	Taylor .....	D6/323
D837,040	S *	1/2019	Connor .....	D8/367
D839,721	S *	2/2019	Downey .....	D8/367
D840,791	S *	2/2019	Caudle .....	D8/367
D844,782	S *	4/2019	Arora .....	D24/130
D849,516	S *	5/2019	Johnson .....	D8/367
D850,244	S *	6/2019	Goodman .....	D8/367
D871,897	S *	1/2020	Wellington .....	D8/367
2004/0178240	A1 *	9/2004	Bauer .....	A45F 5/02
				224/268
2015/0150389	A1 *	6/2015	Nilsson .....	B25H 3/04
				248/220.42

\* cited by examiner

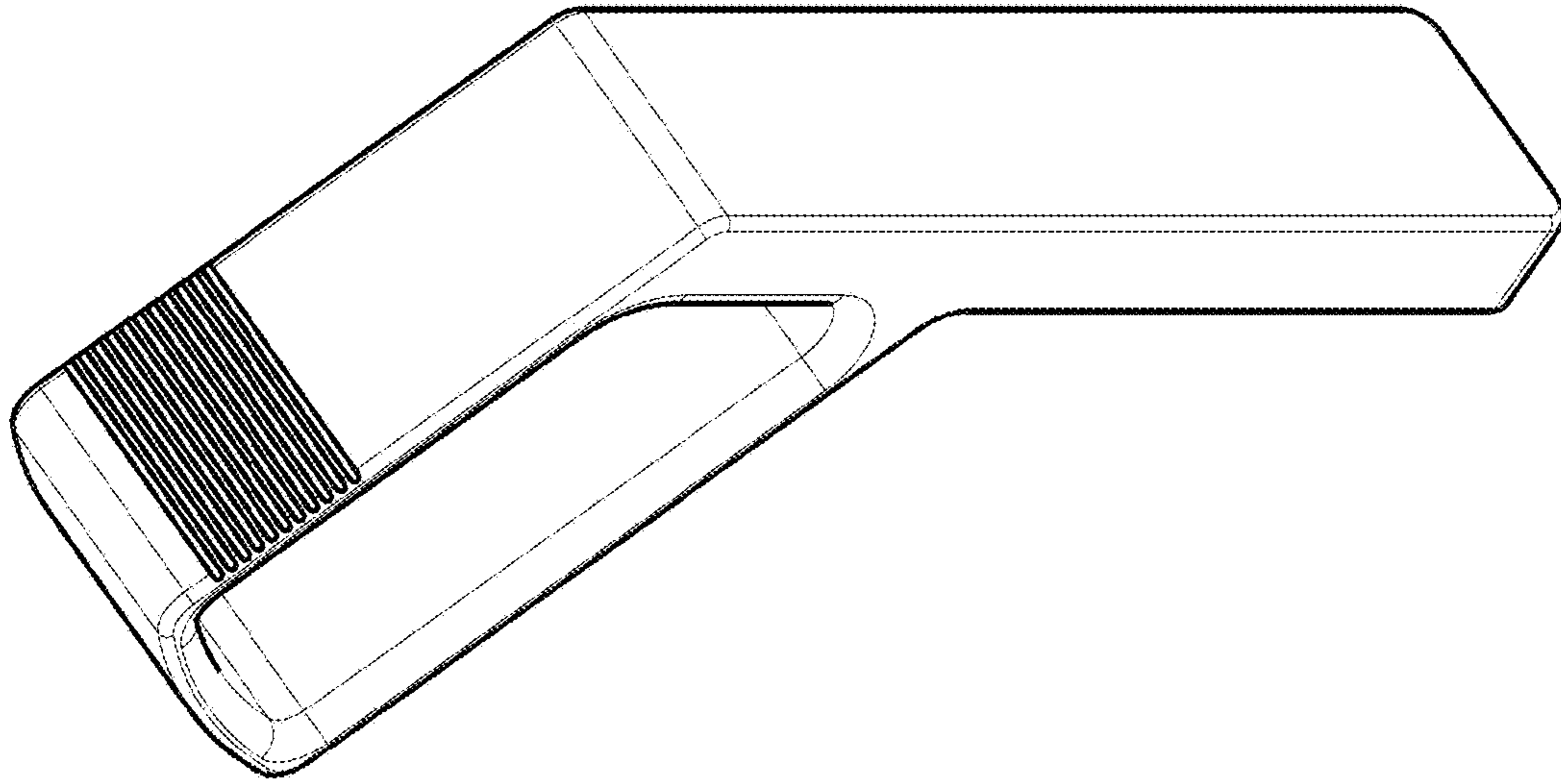


FIG - 2

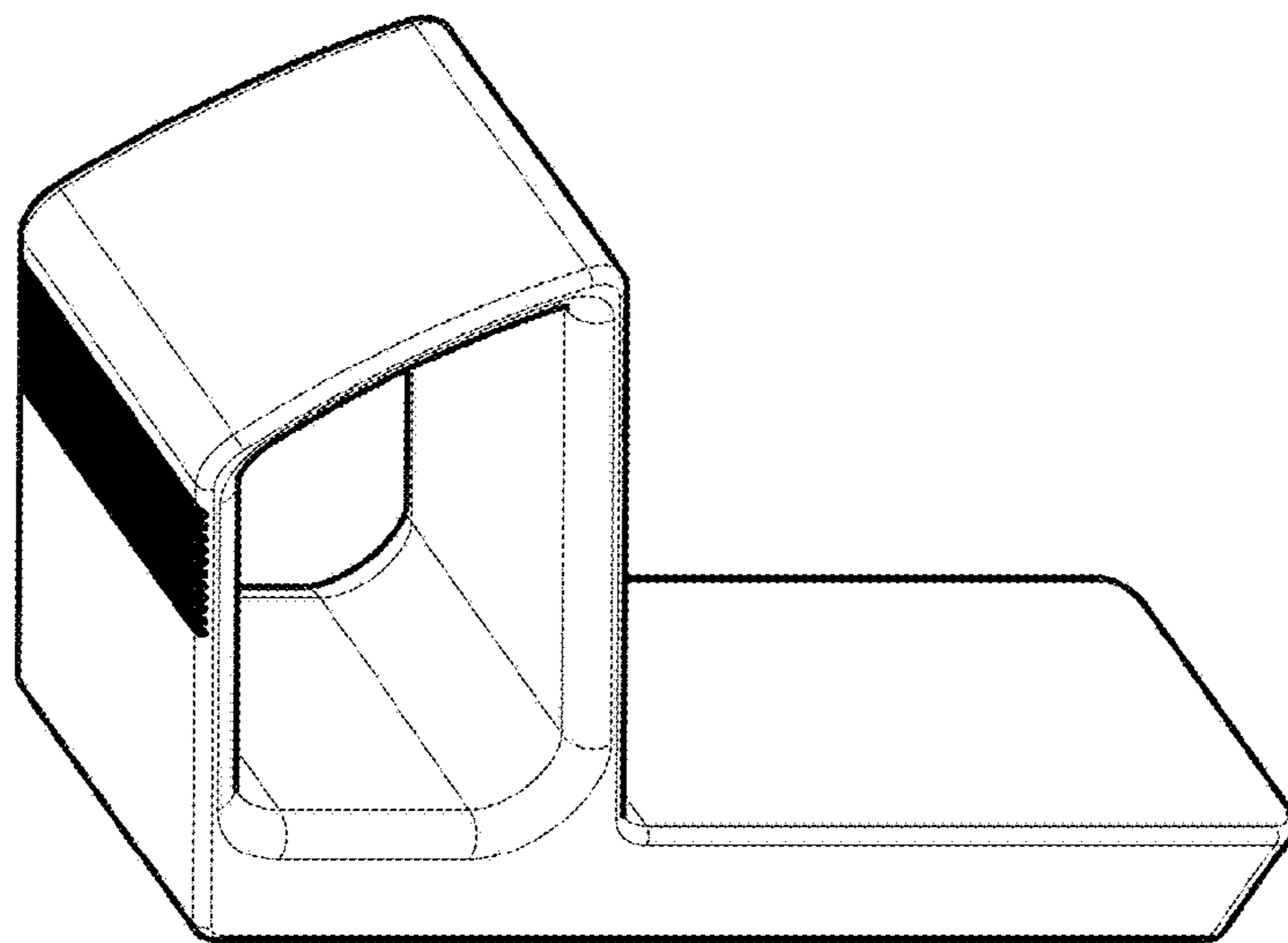


FIG - 1

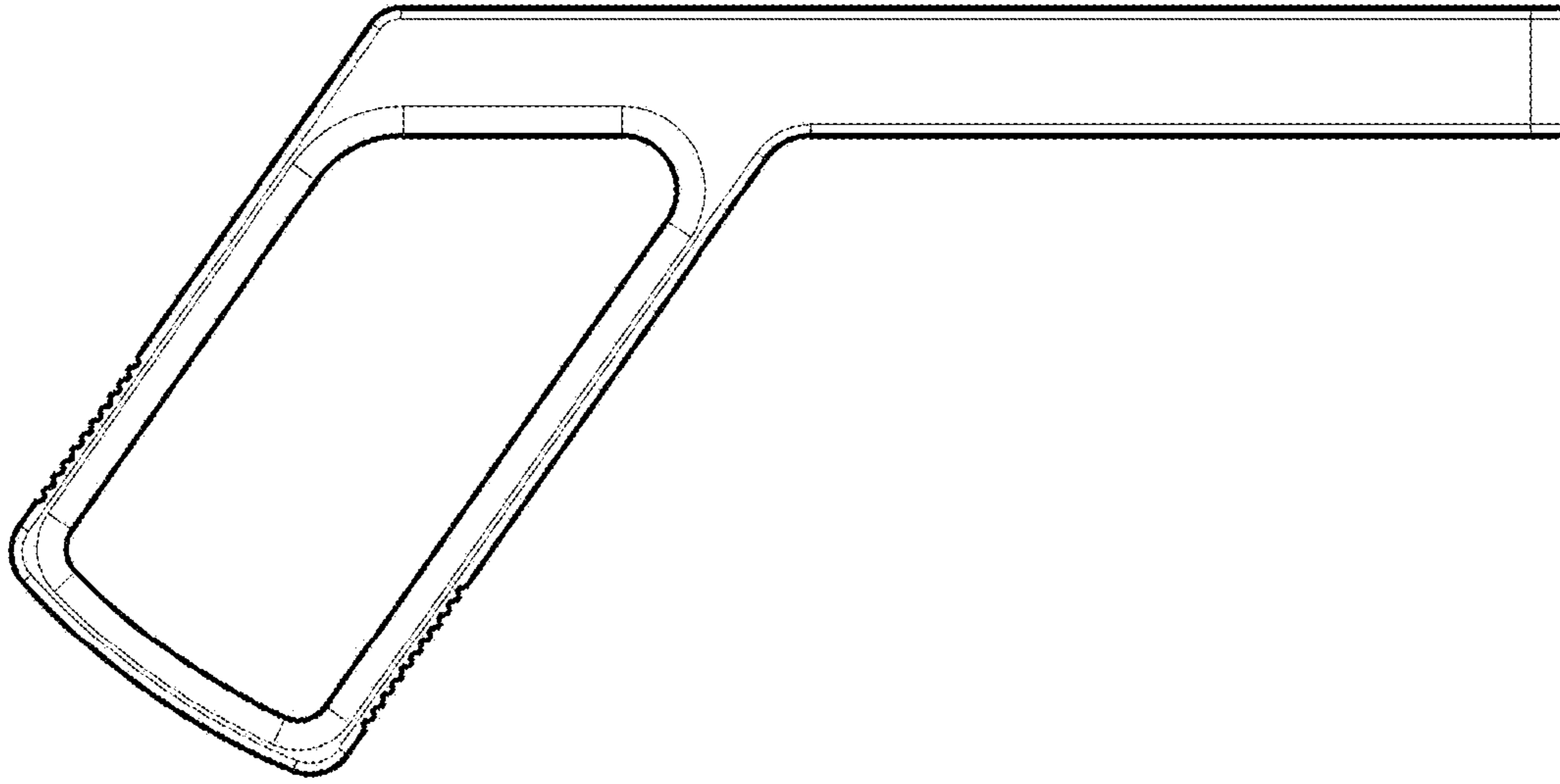


FIG - 4

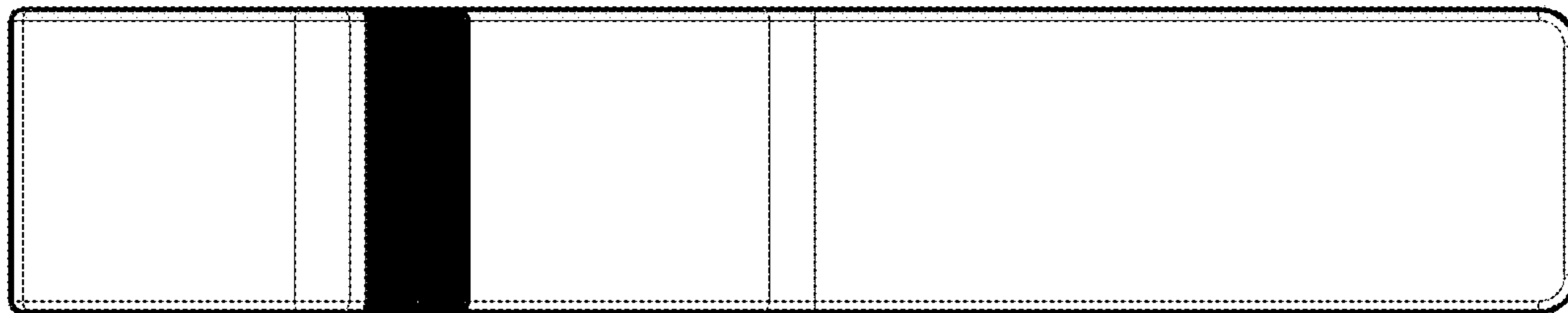


FIG - 3

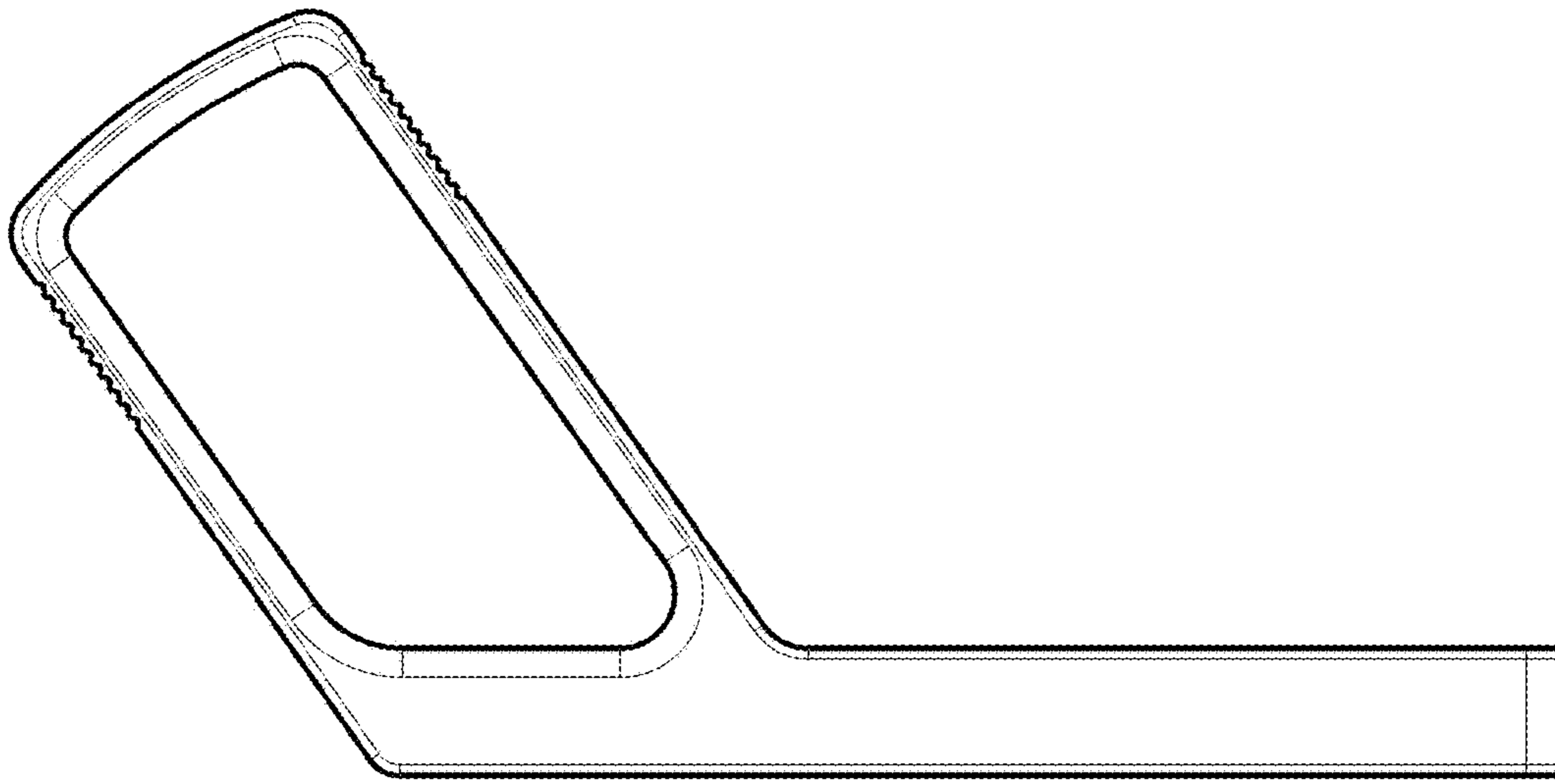


FIG - 6

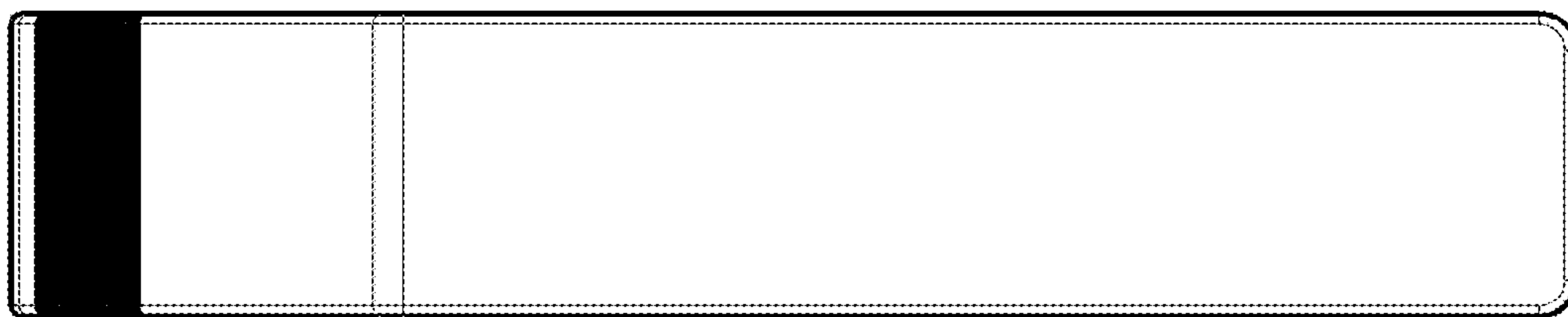


FIG - 5

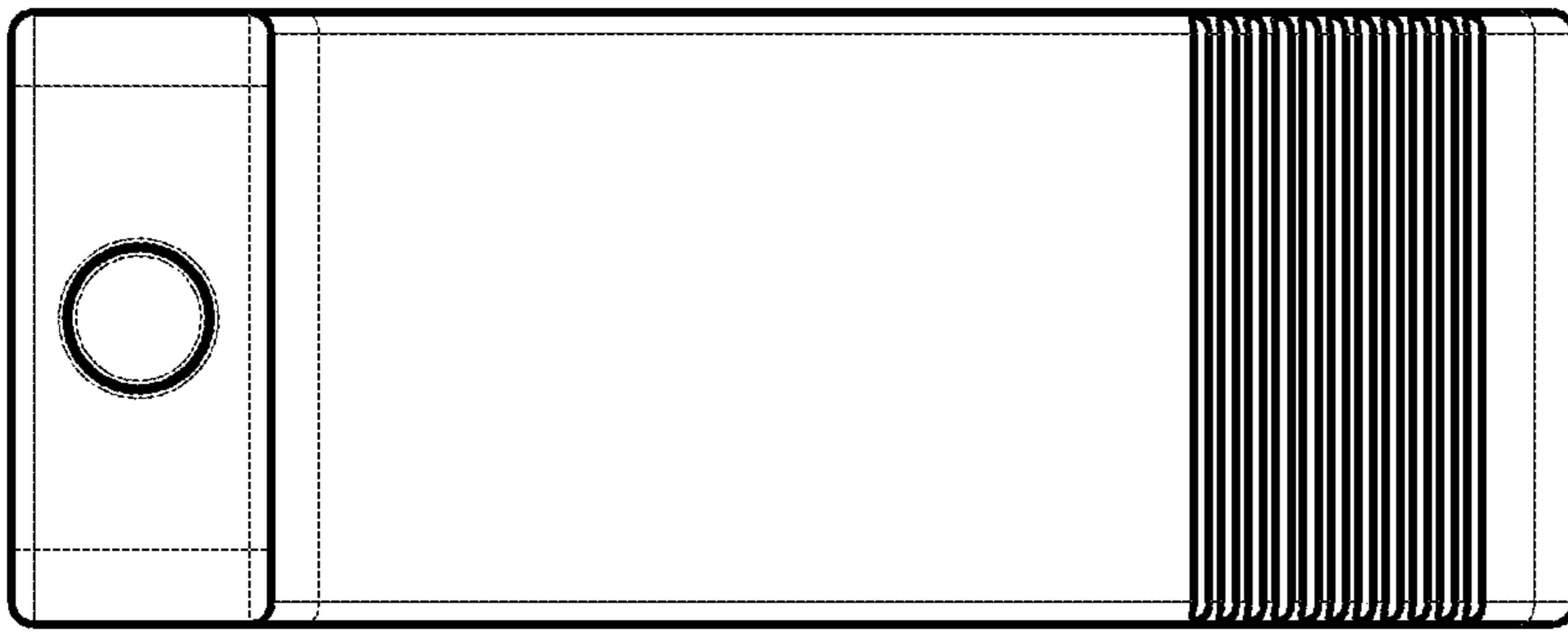


FIG - 8

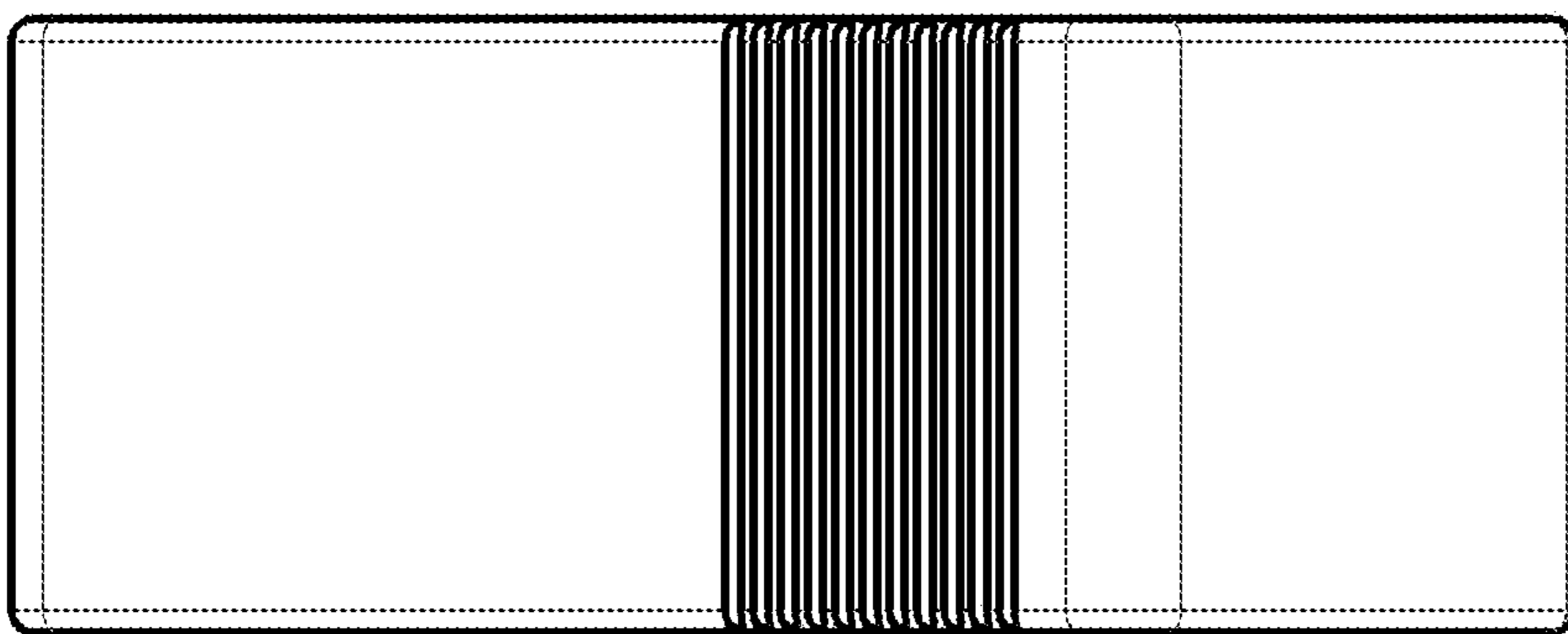


FIG - 7