



US00D897824S

(12) **United States Design Patent**  
**Lewis**

(10) **Patent No.:** **US D897,824 S**

(45) **Date of Patent:** **\*\* Oct. 6, 2020**

(54) **CORD HANDLER**

(71) Applicant: **Donna Lewis**, Stamford, CT (US)

(72) Inventor: **Donna Lewis**, Stamford, CT (US)

(\*\*) Term: **15 Years**

(21) Appl. No.: **29/644,841**

(22) Filed: **Apr. 20, 2018**

(51) **LOC (12) Cl.** ..... **09-06**

(52) **U.S. Cl.**  
USPC ..... **D8/356**

(58) **Field of Classification Search**  
USPC ..... D8/356, 354, 349, 360; D30/139;  
D11/218; 24/129 R  
See application file for complete search history.

(56) **References Cited**

**U.S. PATENT DOCUMENTS**

2,351,379	A	6/1944	Wehringer	
2,364,262	A	12/1944	Wehringer	
3,066,372	A *	12/1962	Parker	A01K 91/04 24/128
D257,321	S *	10/1980	Voorhees, Jr.	D8/356
4,858,846	A	8/1989	McDonald	
D313,340	S *	1/1991	Stathis	D8/356
D428,796	S *	8/2000	van Ochten	D8/349
D458,638	S *	6/2002	Grossman	D19/69
7,048,222	B1	5/2006	Curtiss	
D522,814	S *	6/2006	McMichael	D7/606
7,077,693	B1	7/2006	Symons	
7,121,829	B2 *	10/2006	Day	A61C 8/0087 433/163
D569,349	S *	5/2008	Preston	D13/156
D631,730	S *	2/2011	Skillman	B65H 75/143 D8/356
D648,685	S	11/2011	Symons	
D682,909	S *	5/2013	Kim	24/115 R
8,523,098	B2	9/2013	Detweiler	

8,546,694	B1	10/2013	Harrison	
D707,106	S *	6/2014	Crouse	D8/356
D707,107	S *	6/2014	Crouse	D8/356
D731,555	S *	6/2015	Lee	D15/5
D735,020	S *	7/2015	Bradford	D8/356
D736,833	S *	8/2015	Lee	D15/5
D752,339	S *	3/2016	Hoover	D3/23
D758,836	S *	6/2016	Symons	D8/383
D778,400	S *	2/2017	Kim	D22/137
D803,666	S *	11/2017	Morley	D8/356
D813,015	S *	3/2018	O'Brien	D8/356

(Continued)

*Primary Examiner* — Cynthia R Underwood

(74) *Attorney, Agent, or Firm* — St Onge Steward  
Johnston & Reens LLC

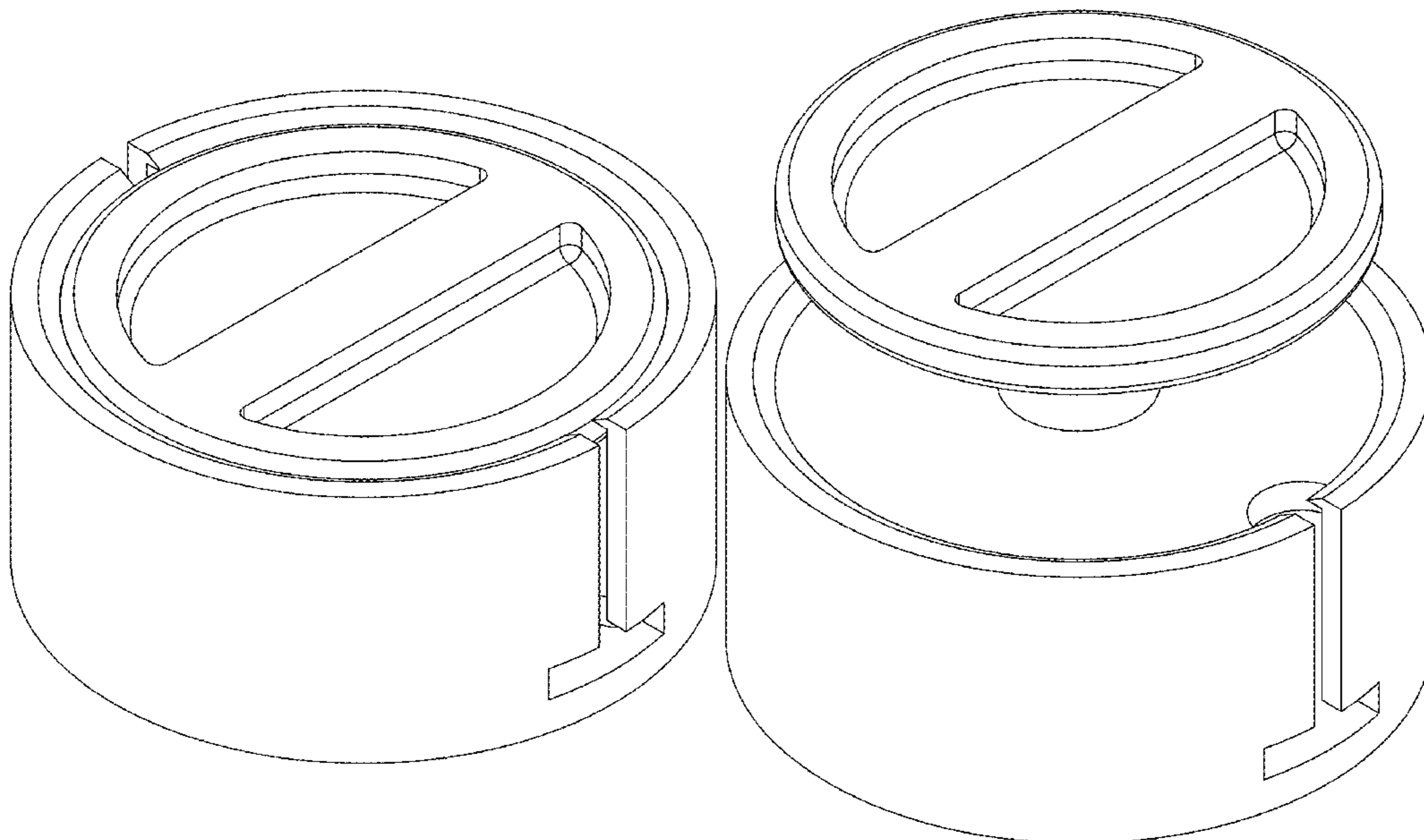
(57) **CLAIM**

The ornamental design for a cord handler, as shown and described.

**DESCRIPTION**

FIG. 1 is a top, front and left side perspective view of a first embodiment of a cord handler in accordance with the new design showing the cord handler in a closed position;  
 FIG. 2 is a top plan view thereof;  
 FIG. 3 is a bottom plan view thereof;  
 FIG. 4 is a front elevation view thereof;  
 FIG. 5 is a rear elevation view thereof;  
 FIG. 6 is a left side elevation view thereof; and  
 FIG. 7 is a right side elevation view thereof;  
 FIG. 8 is a top, front and left side perspective view thereof showing the cord handler in an open position;  
 FIG. 9 is a top plan view thereof;  
 FIG. 10 is a bottom plan view thereof;  
 FIG. 11 is a front elevation view thereof;  
 FIG. 12 is a rear elevation view thereof;  
 FIG. 13 is a left side elevation view thereof; and,  
 FIG. 14 is a right side elevation view thereof.

**1 Claim, 14 Drawing Sheets**



(56)

**References Cited**

U.S. PATENT DOCUMENTS

D814,273	S	*	4/2018	Karpanty .....	D8/356
D831,468	S	*	10/2018	Morley .....	D8/356
D841,443	S	*	2/2019	Foster, II .....	D8/356
D864,728	S	*	10/2019	Nieto .....	D9/600
D871,194	S	*	12/2019	Watanabe .....	D8/356
D871,894	S	*	1/2020	Brett .....	D8/356
2009/0194630	A1	*	8/2009	Thiyagarajan .....	B65H 75/4473 242/405.1

\* cited by examiner

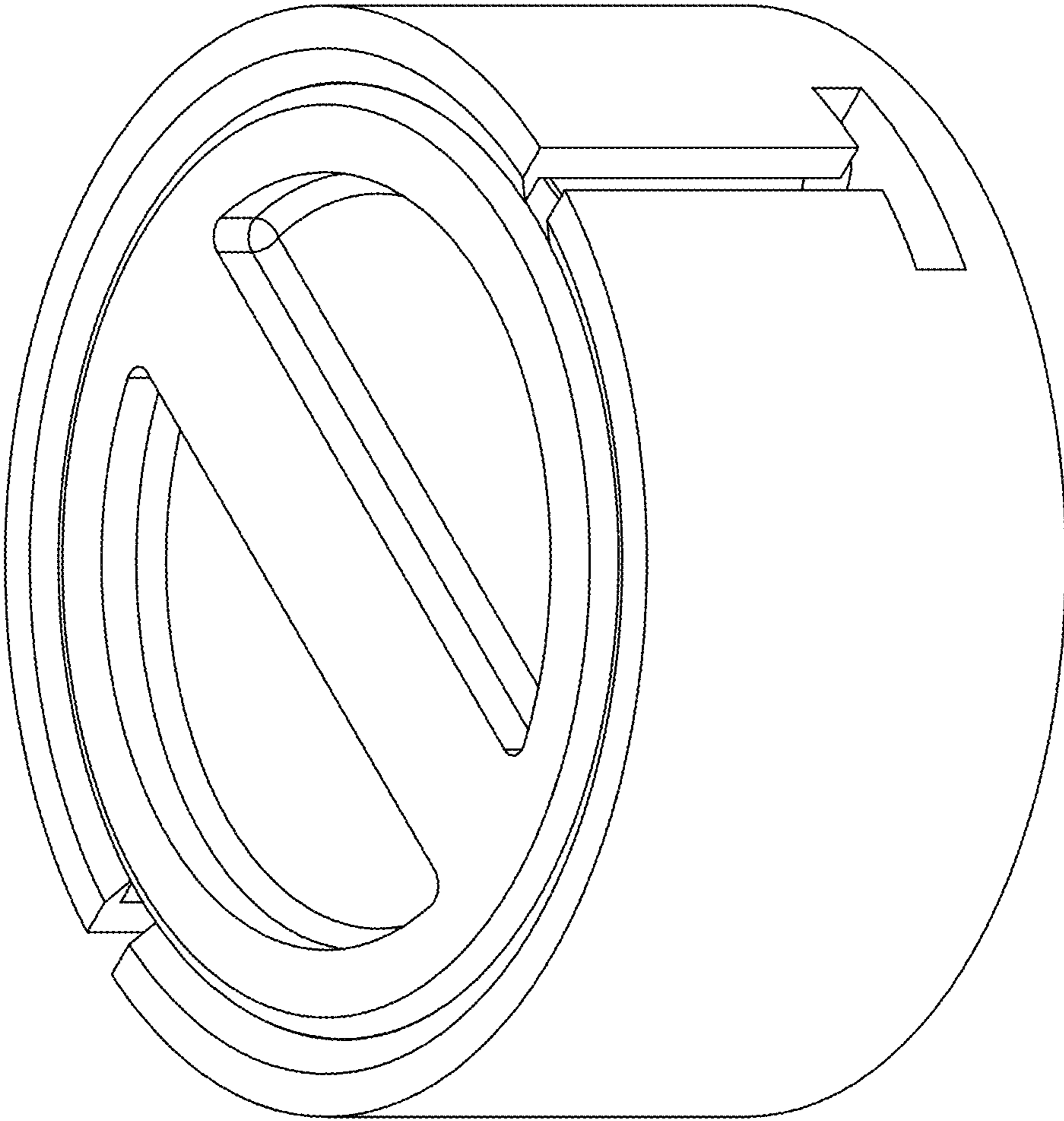


FIG. 1

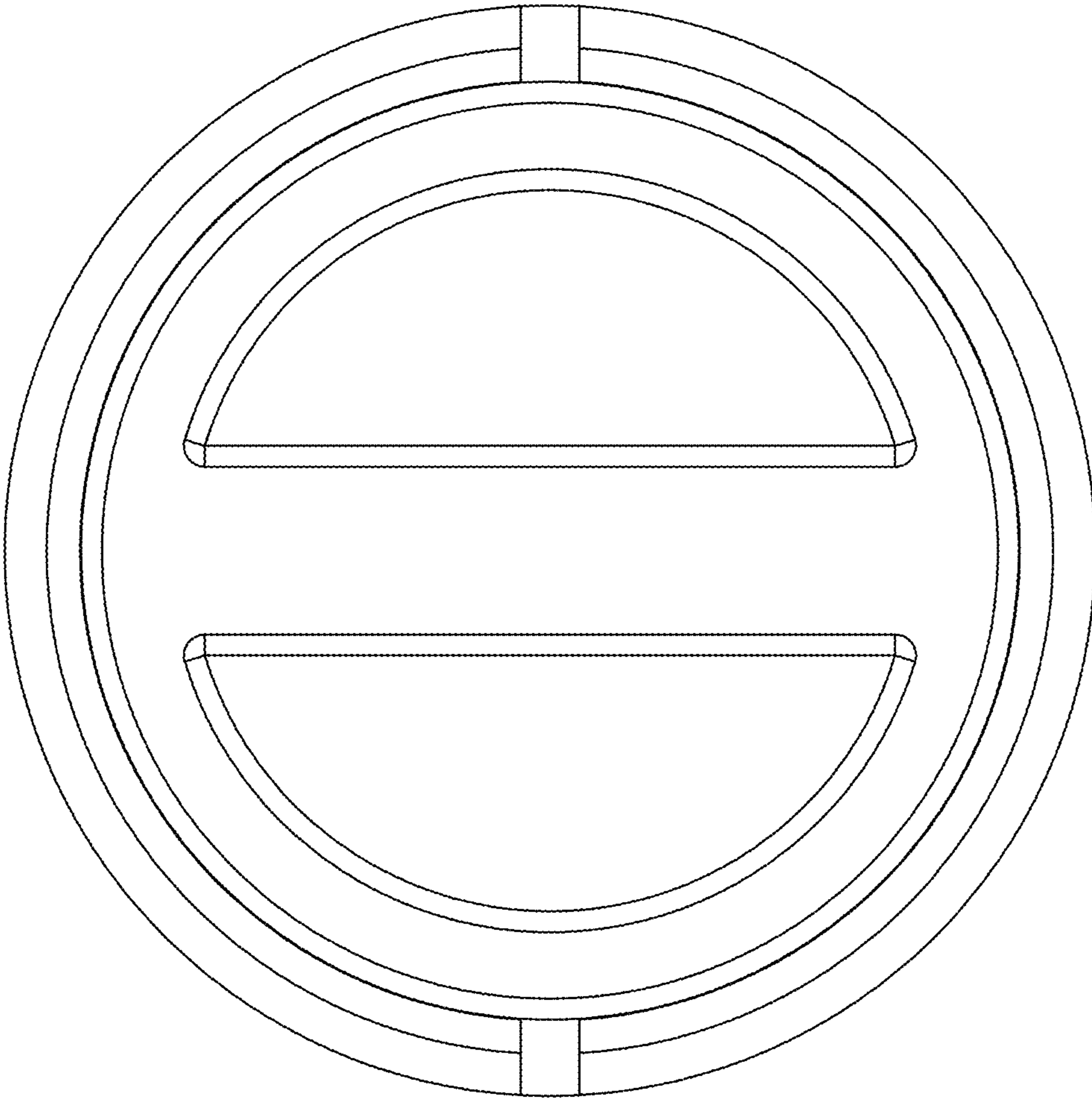
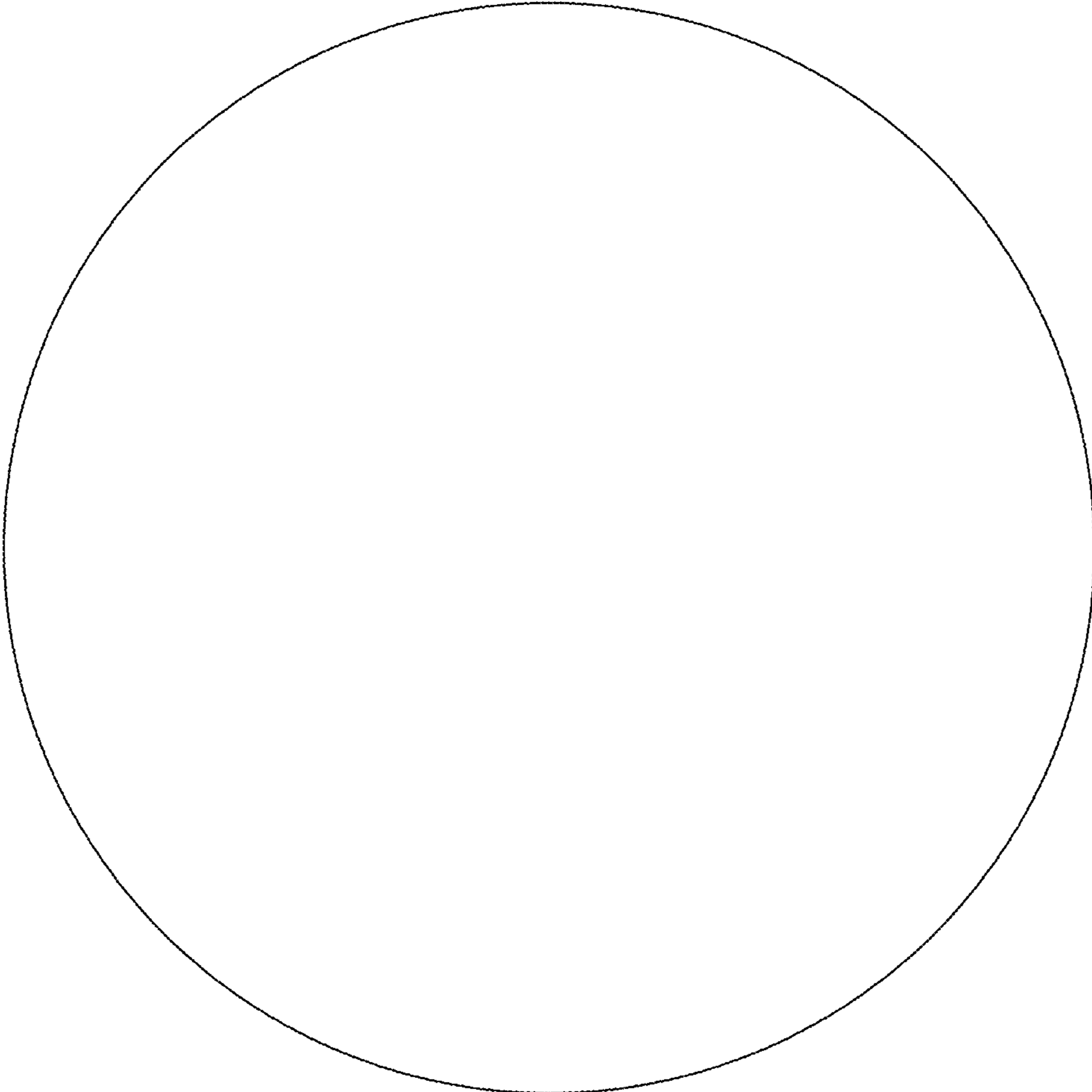


FIG. 2



**FIG. 3**



**FIG. 4**



**FIG. 5**

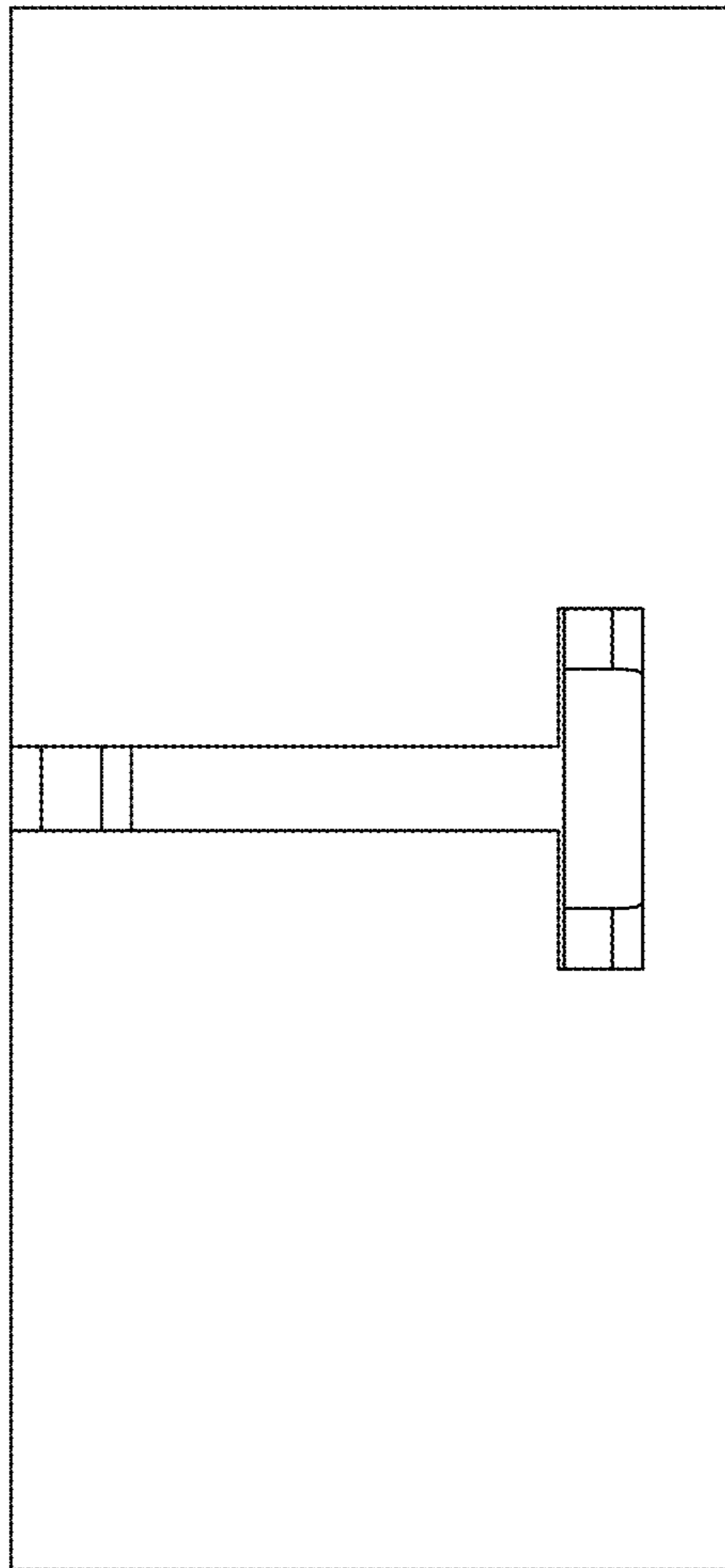
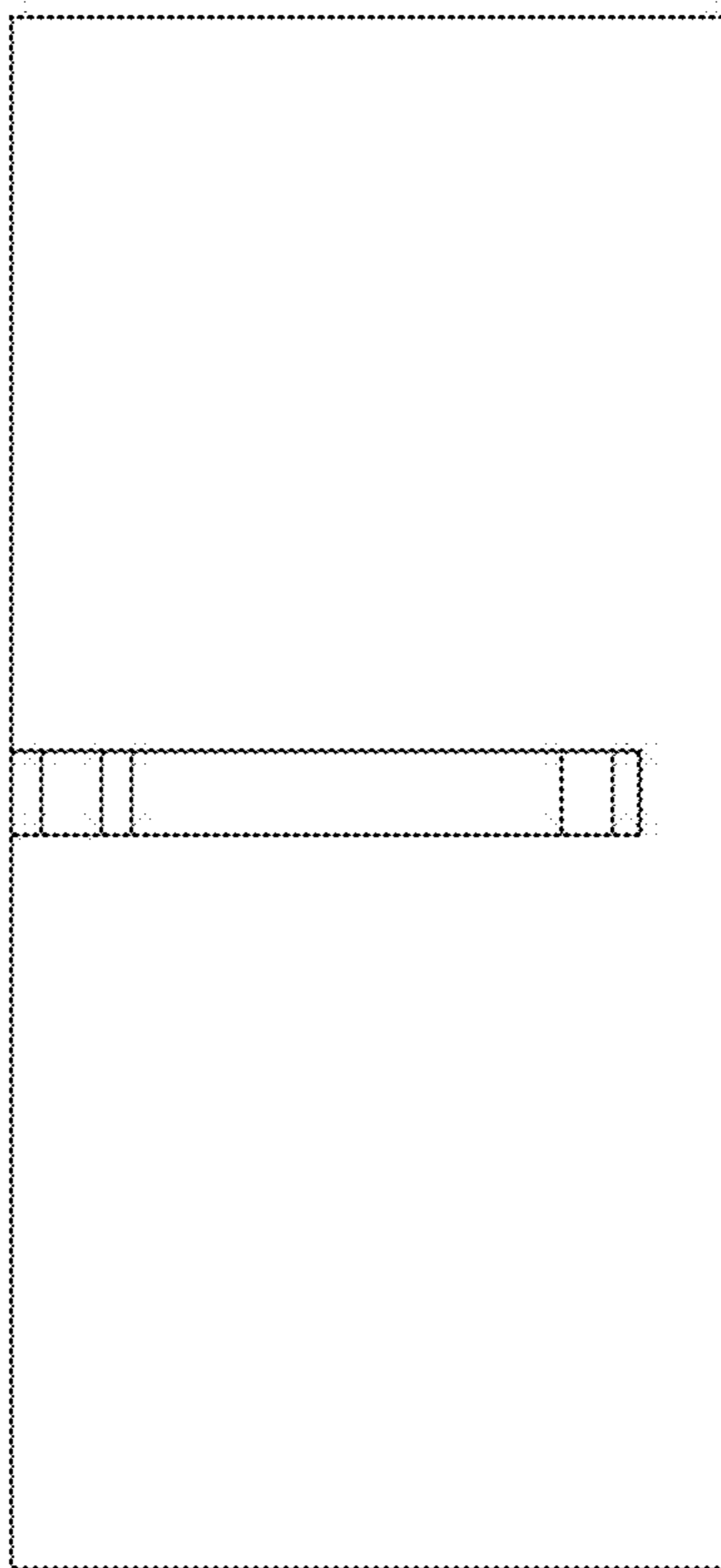


FIG. 6





**FIG. 7**

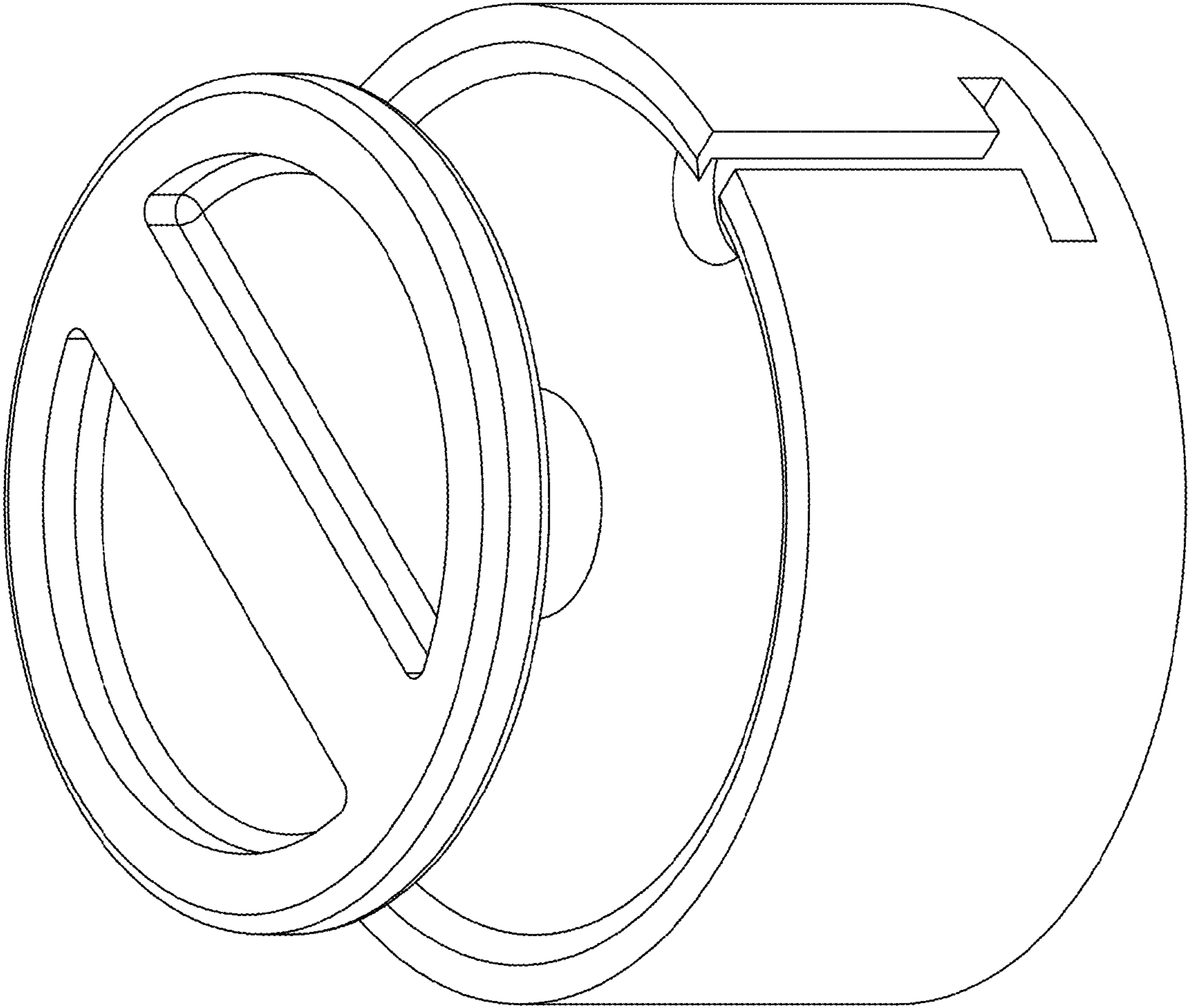


FIG. 8

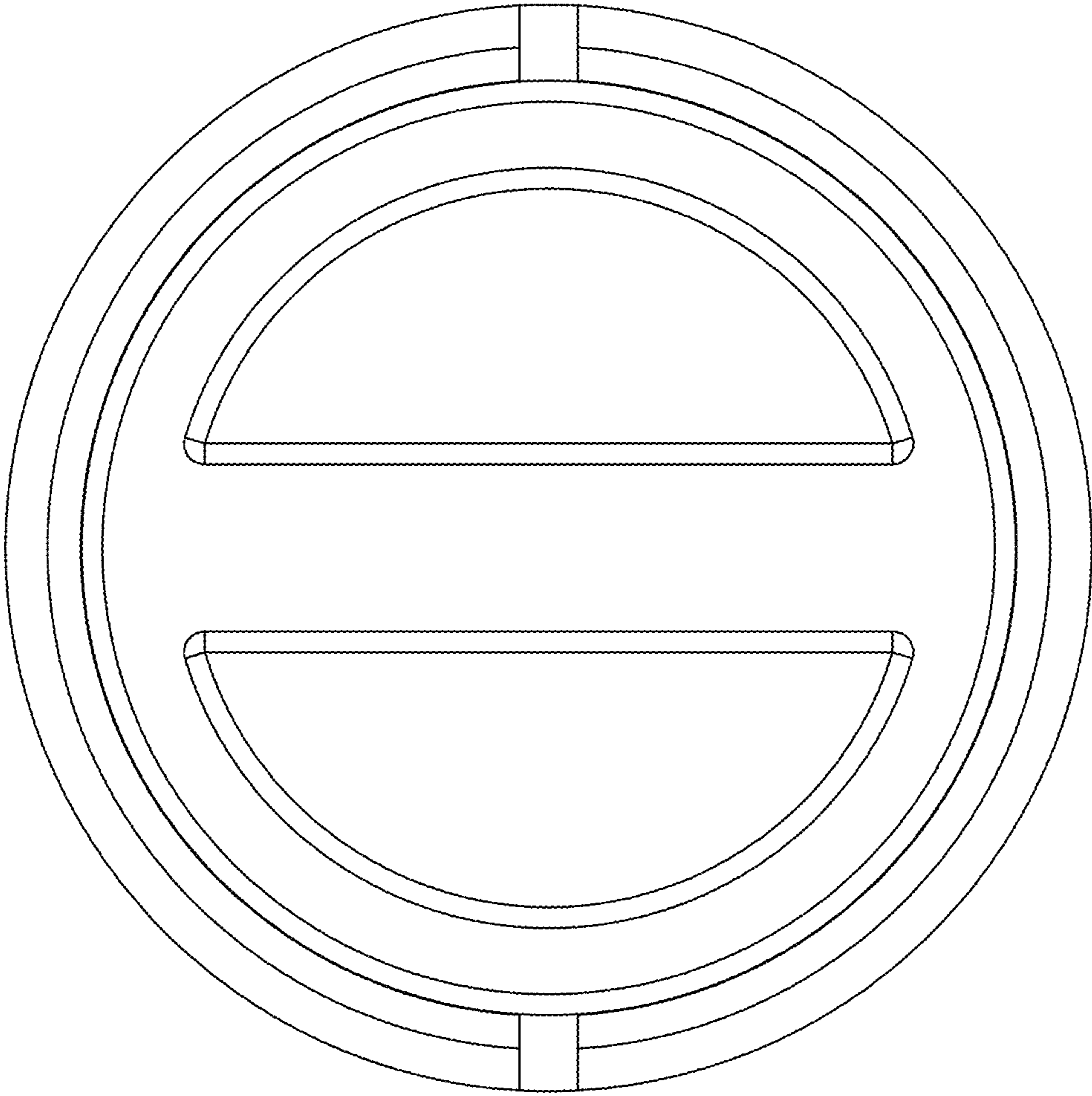
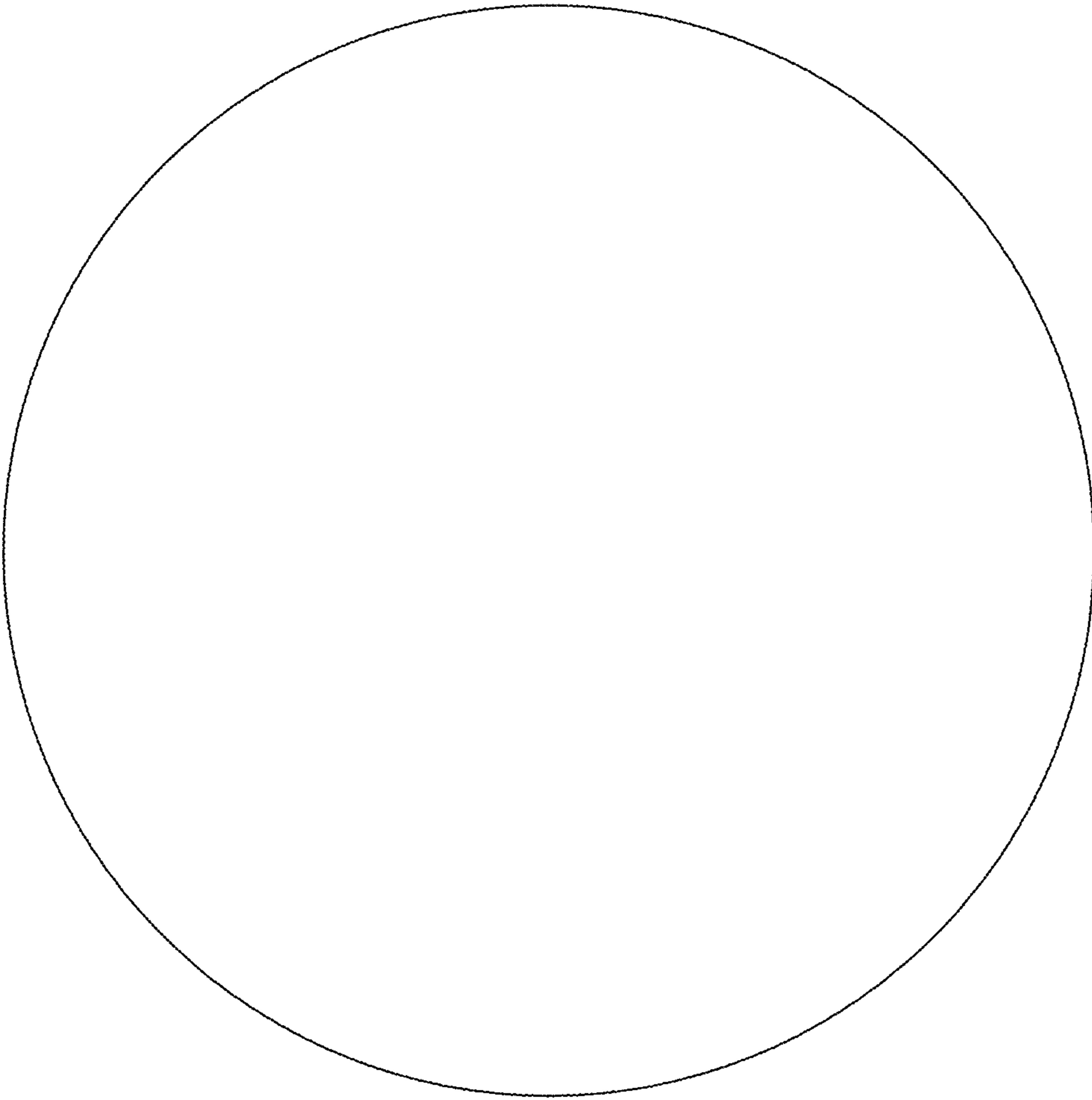


FIG. 9



**FIG. 10**

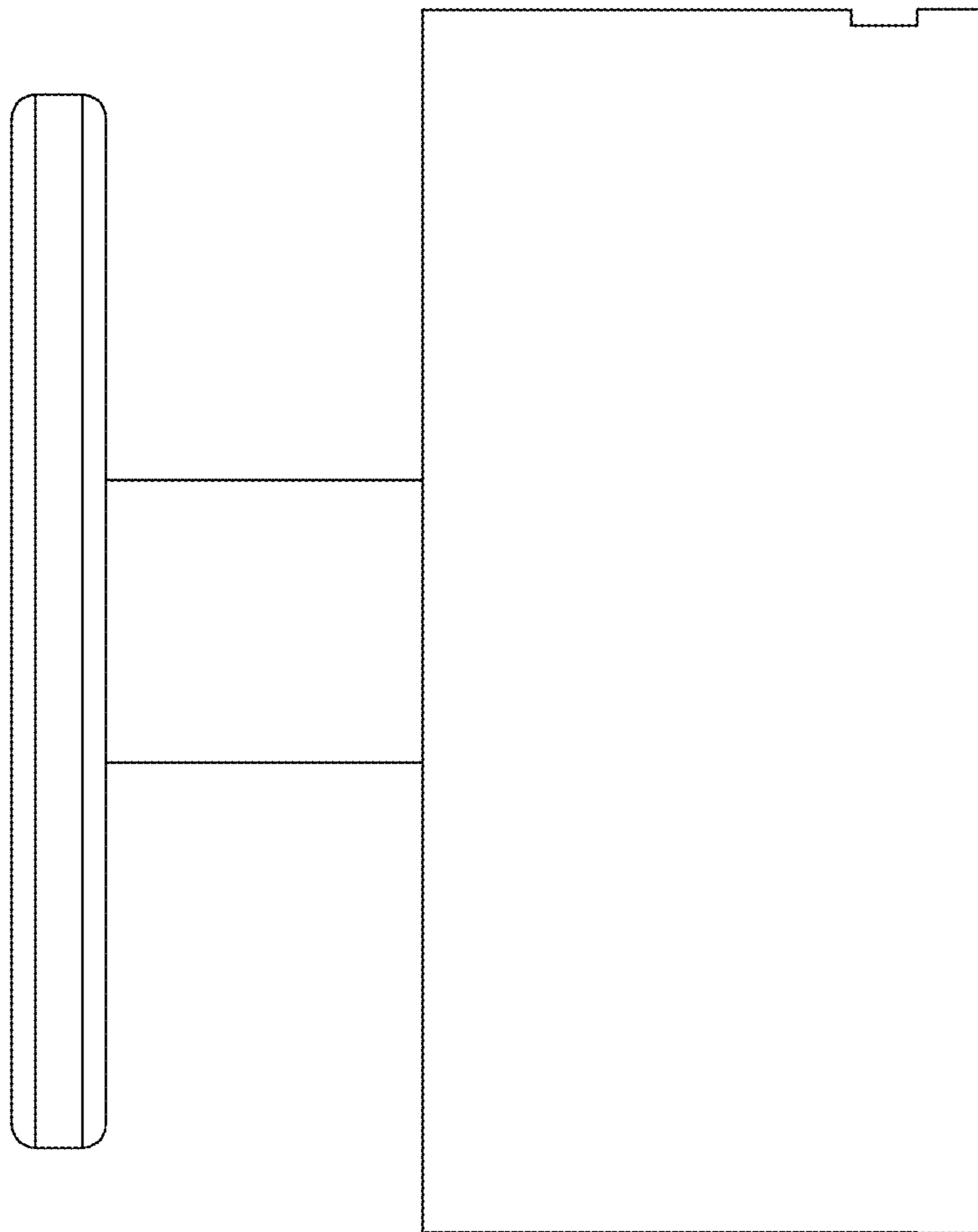


FIG. 11

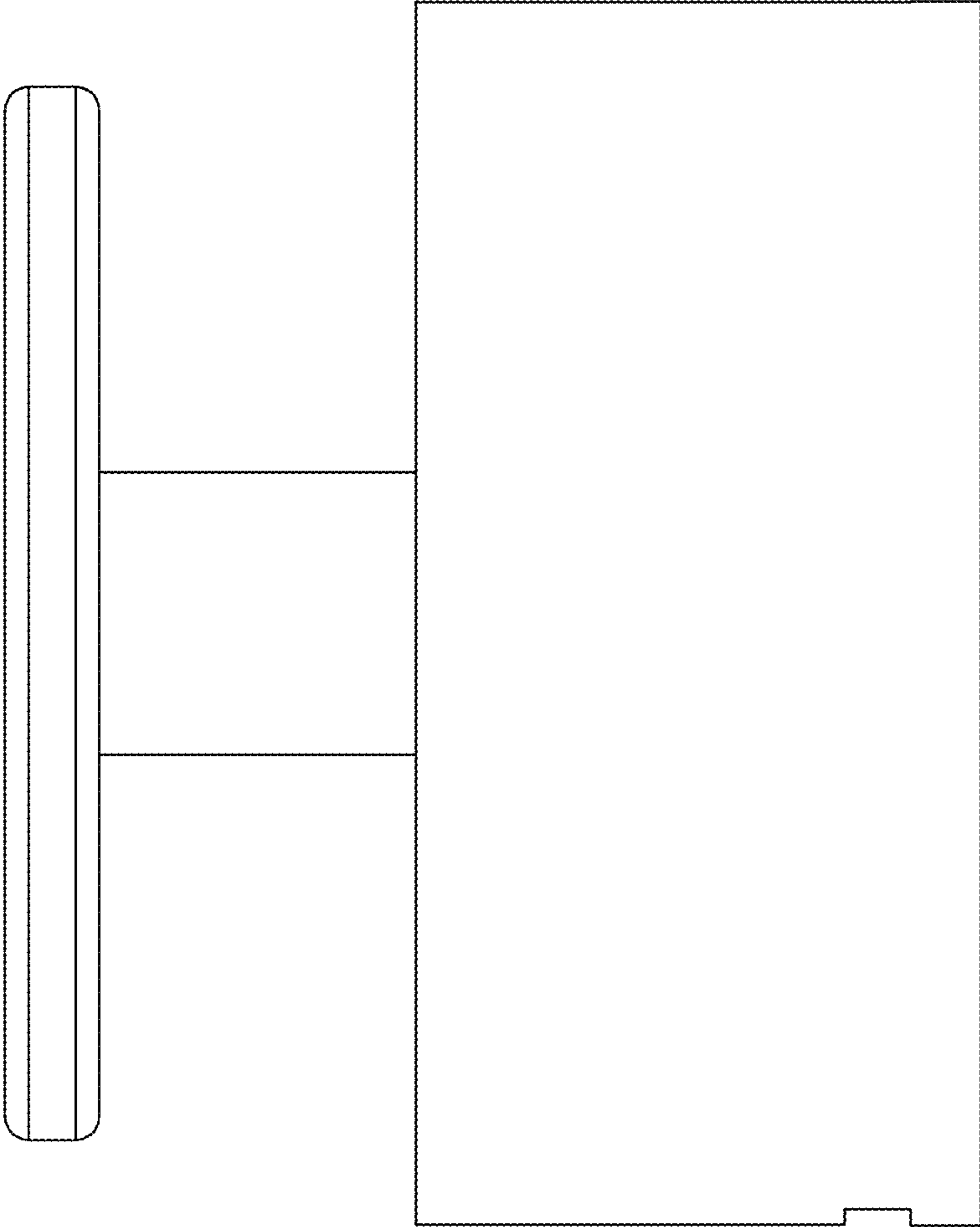


FIG. 12

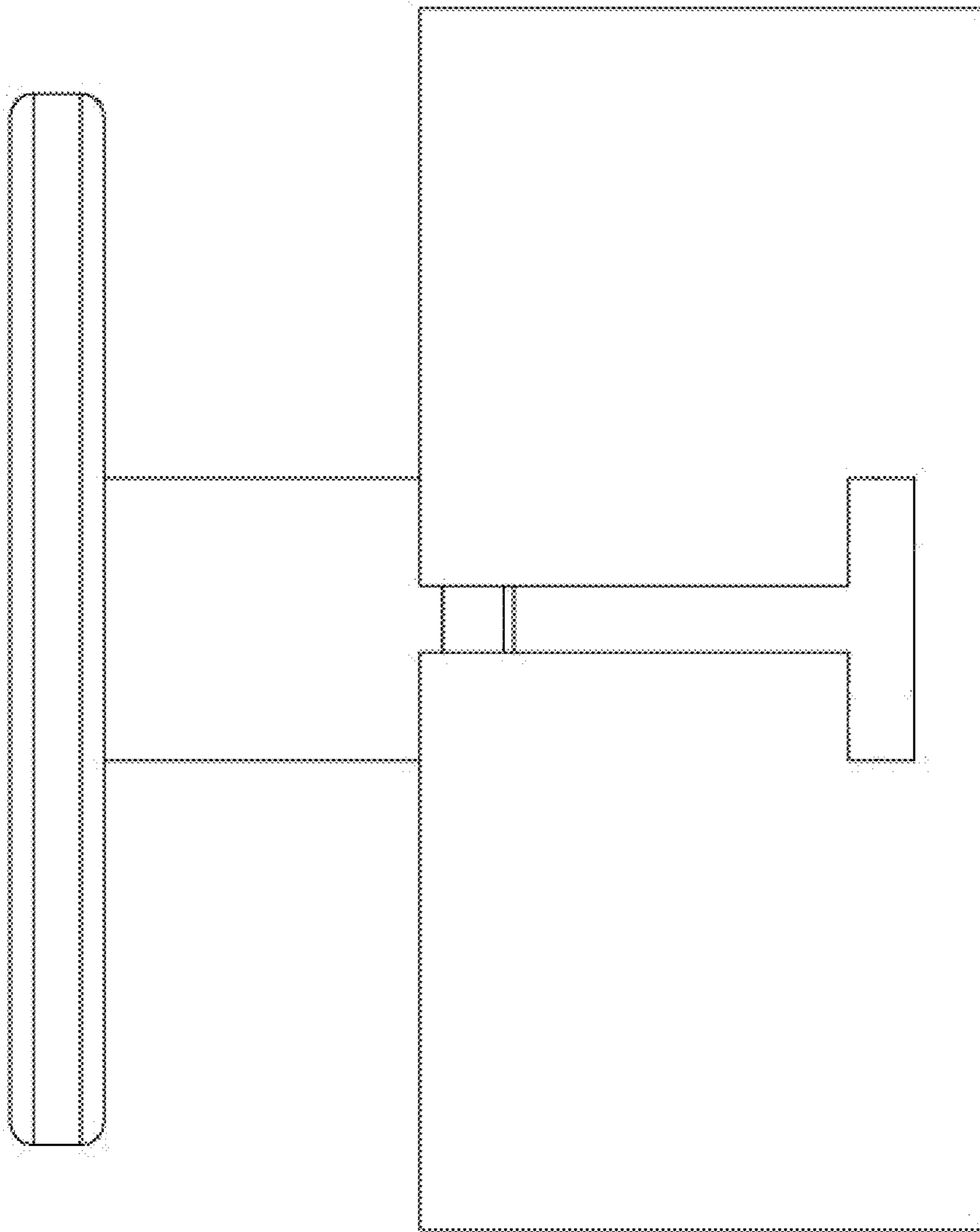


FIG. 13

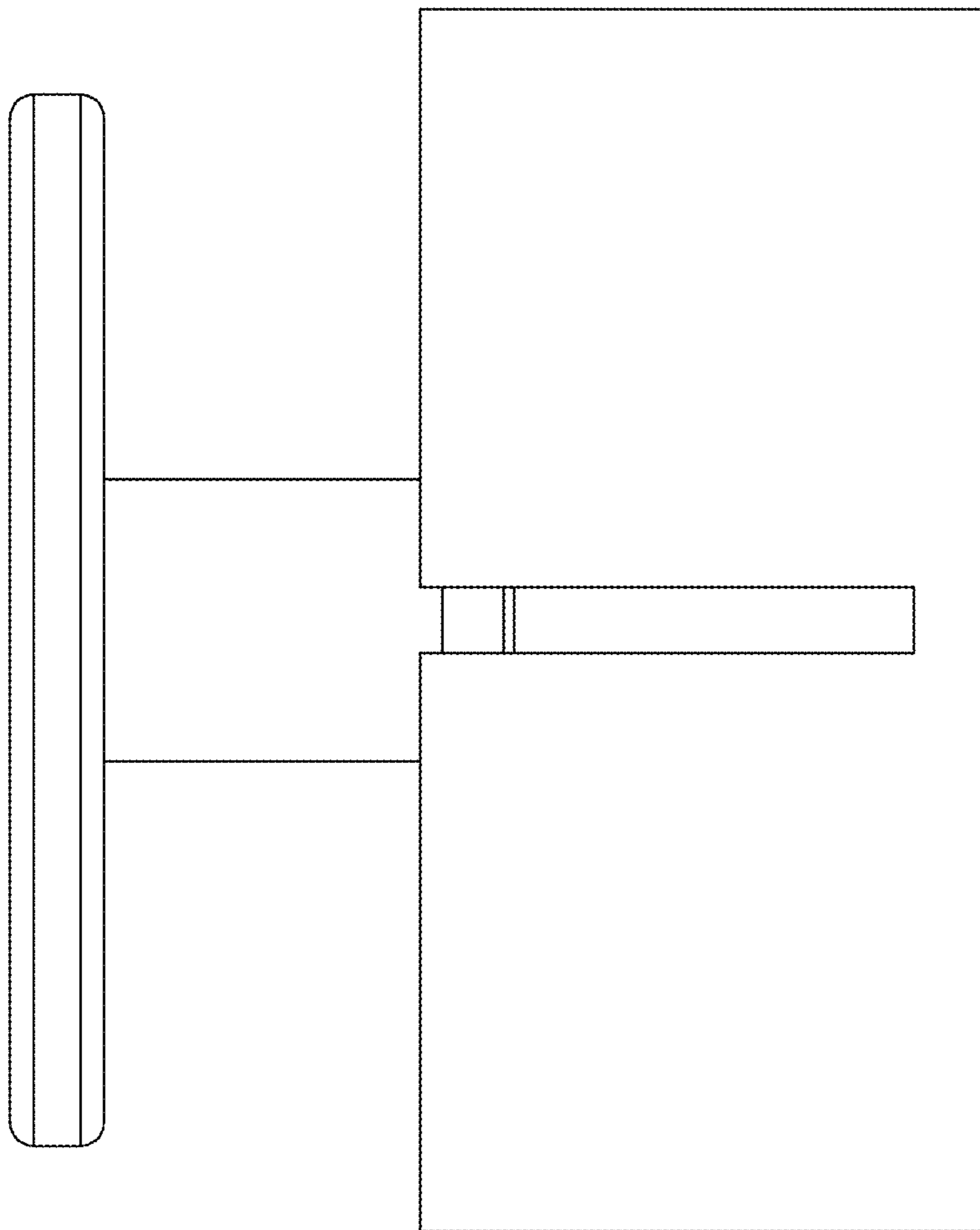


FIG. 14