



US00D897823S

(12) **United States Design Patent**
Jin

(10) **Patent No.:** **US D897,823 S**

(45) **Date of Patent:** **** Oct. 6, 2020**

(54) **RACK**
(71) Applicant: **Youquan Jin**, Shenzhen (CN)
(72) Inventor: **Youquan Jin**, Shenzhen (CN)
(73) Assignees: **Haoliang Liu**, Shenzhen (CN);
Qiuwang Jin, Shenzhen (CN)
(**) Term: **15 Years**

5,582,044 A * 12/1996 Bolich B60R 9/08
224/315
D396,371 S * 7/1998 Oliver D6/552
5,826,908 A * 10/1998 McBride A63C 11/028
280/814
D425,745 S * 5/2000 Harris D21/771
6,196,397 B1 * 3/2001 Maher A47B 81/00
211/70.5
6,293,412 B1 * 9/2001 Draper E05B 73/00
211/4
D472,091 S * 3/2003 Bell D6/552
D499,594 S * 12/2004 Laitila D6/552
(Continued)

(21) Appl. No.: **29/728,626**

(22) Filed: **Mar. 19, 2020**

(51) **LOC (12) Cl.** **08-05**

(52) **U.S. Cl.**
USPC **D8/354**

(58) **Field of Classification Search**
USPC D6/300, 672, 682, 682.5, 682.6, 512,
D6/552, 553; D8/354, 373, 499;
D11/132, 164, 184; D20/42; D21/771
CPC F61M 13/02; A63C 17/00; A63C 17/0006
See application file for complete search history.

(56) **References Cited**

U.S. PATENT DOCUMENTS

- D263,675 S * 4/1982 Vorves 292/340
- D286,119 S * 10/1986 Enquist D6/552
- D304,984 S * 12/1989 French D6/552
- D312,936 S * 12/1990 Lim D6/552
- 5,120,012 A * 6/1992 Rosenau A63C 17/00
211/89.01
- D342,637 S * 12/1993 Smith D6/552
- 5,301,818 A * 4/1994 Dix A47F 5/0876
211/106.01
- 5,305,897 A * 4/1994 Smith A63C 11/028
211/106.01
- 5,316,155 A * 5/1994 Collins A47B 81/005
211/106.01
- D354,872 S * 1/1995 Dix D6/552
- D363,850 S * 11/1995 Towler D6/552

OTHER PUBLICATIONS

Skateboard Floating Deck Display Wall Mount Wall Rack Holder Hanger w/ Manual, ebay.com, Publish date of Mar. 19, 2019, https://www.ebay.com/itm/Skateboard-Floating-Deck-Display-Wall-Mount-Wall-Rack-Holder-Hanger-w-Manual-/223453436736?_trksid=p2385738.m4383.14275.c10&var=522208831896 (Year: 2019).*
(Continued)

Primary Examiner — Steven J Czyz

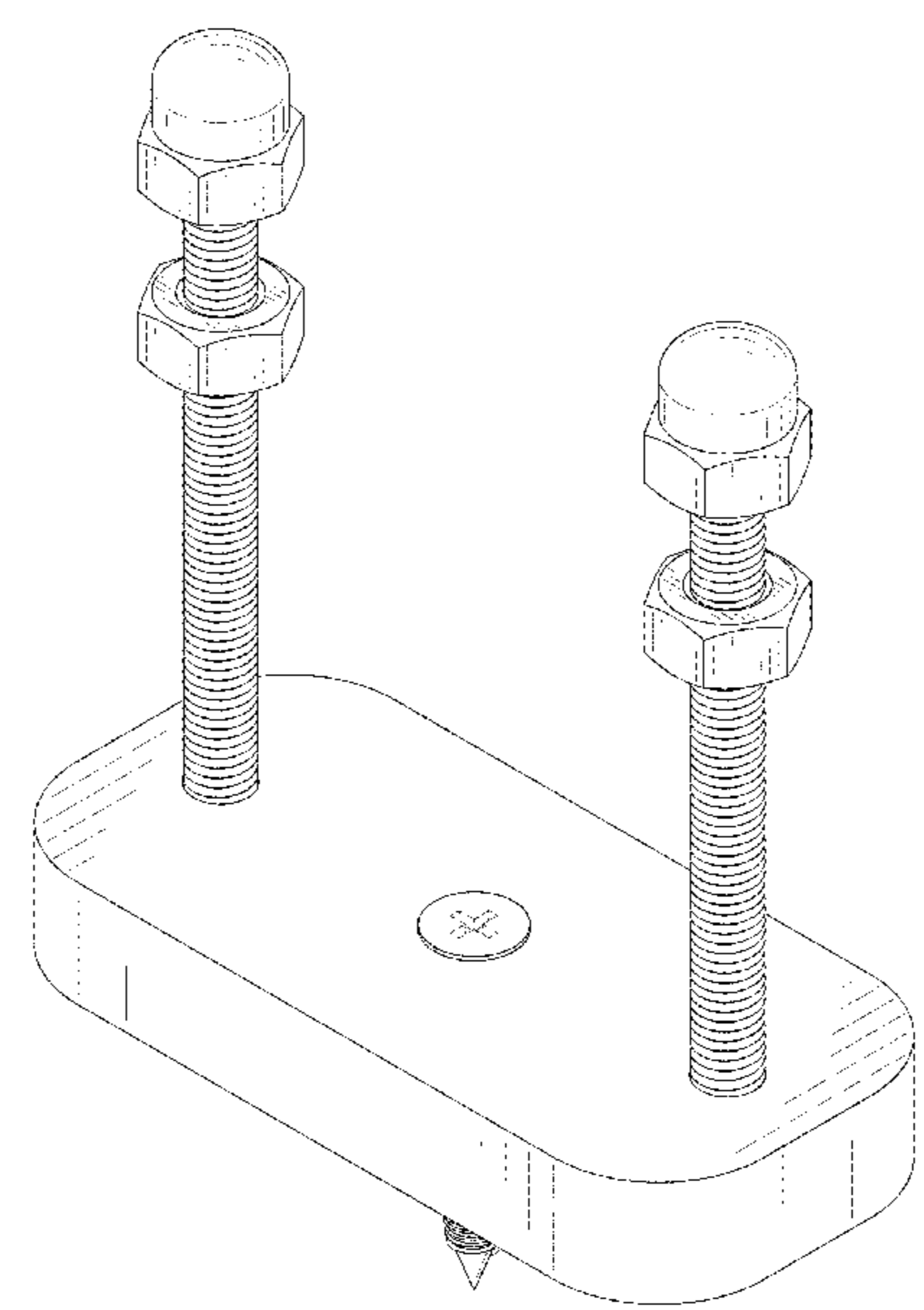
(57) **CLAIM**

The ornamental design for a rack, as shown and described.

DESCRIPTION

FIG. 1 is a top perspective view of a rack showing my new design;
FIG. 2 is a bottom perspective view thereof;
FIG. 3 is a front elevational view thereof;
FIG. 4 is a rear elevational view thereof;
FIG. 5 is a left side elevational view thereof;
FIG. 6 is a right side elevational view thereof;
FIG. 7 is a top plan view thereof; and,
FIG. 8 is a bottom plan view thereof.
The broken lines in the drawings depict portions of the rack that form no part of the claimed design.

1 Claim, 8 Drawing Sheets



(56)

References Cited

U.S. PATENT DOCUMENTS

6,942,094 B2 * 9/2005 Coulson A63C 11/02
206/315.1
7,284,671 B1 * 10/2007 Doscher A63B 71/0036
211/59.1
D609,940 S * 2/2010 Samu D6/682
7,950,535 B1 * 5/2011 Schmid A47F 5/0846
211/85.7
D650,460 S * 12/2011 Krol, II D21/771
8,540,197 B1 * 9/2013 Krol, II A63C 17/0006
211/DIG. 1
D701,449 S * 3/2014 Xiao D8/370
D712,238 S * 9/2014 Moses D8/373
8,939,297 B2 * 1/2015 Berman F16M 13/02
211/70.5
D725,939 S * 4/2015 Sheehan D6/553
D742,728 S * 11/2015 Ostler D8/373
9,291,304 B1 * 3/2016 Tu F16M 13/02
9,707,469 B2 * 7/2017 Roland A63C 17/015
D808,192 S * 1/2018 Adam D6/552
D817,152 S * 5/2018 Ng D8/354
D819,428 S * 6/2018 Ng D8/354
D836,957 S * 1/2019 Vazquez D6/682
D846,321 S * 4/2019 Vandervorst D6/682
D847,609 S * 5/2019 Ng D8/354

D850,829 S * 6/2019 Merminod D6/682.5
10,337,213 B2 * 7/2019 Chesterton E05B 73/0094
D883,779 S * 5/2020 Koelling F16B 12/125
D8/402
2002/0060194 A1 * 5/2002 Reiser A63C 11/028
211/4
2002/0144962 A1 * 10/2002 Dettorre A63C 11/028
211/85.7
2004/0108286 A1 * 6/2004 Coulson A63C 11/028
211/85.7
2008/0083684 A1 * 4/2008 Pfeiffer A63C 11/028
211/85.7
2012/0006766 A1 * 1/2012 MacKay, Jr. E05B 73/0094
211/4
2013/0048821 A1 * 2/2013 Leet A63B 71/0045
248/316.4

OTHER PUBLICATIONS

YYST Skateboard Floating Deck Display Wall Mount, amazon.com, a purchase date of Jun. 20, 2019, https://us.amazon.com/YYST-Skateboard-Floating-Display-Mount/dp/B07MR4T5L8?_encoding=UTF8&pd_rd_i=B07MR4T5L8&pd_rd_r=12e52bed-4d4d-11e9-8998-6bad9ec678c8&pd_rd_w (Year: 2019).*

* cited by examiner

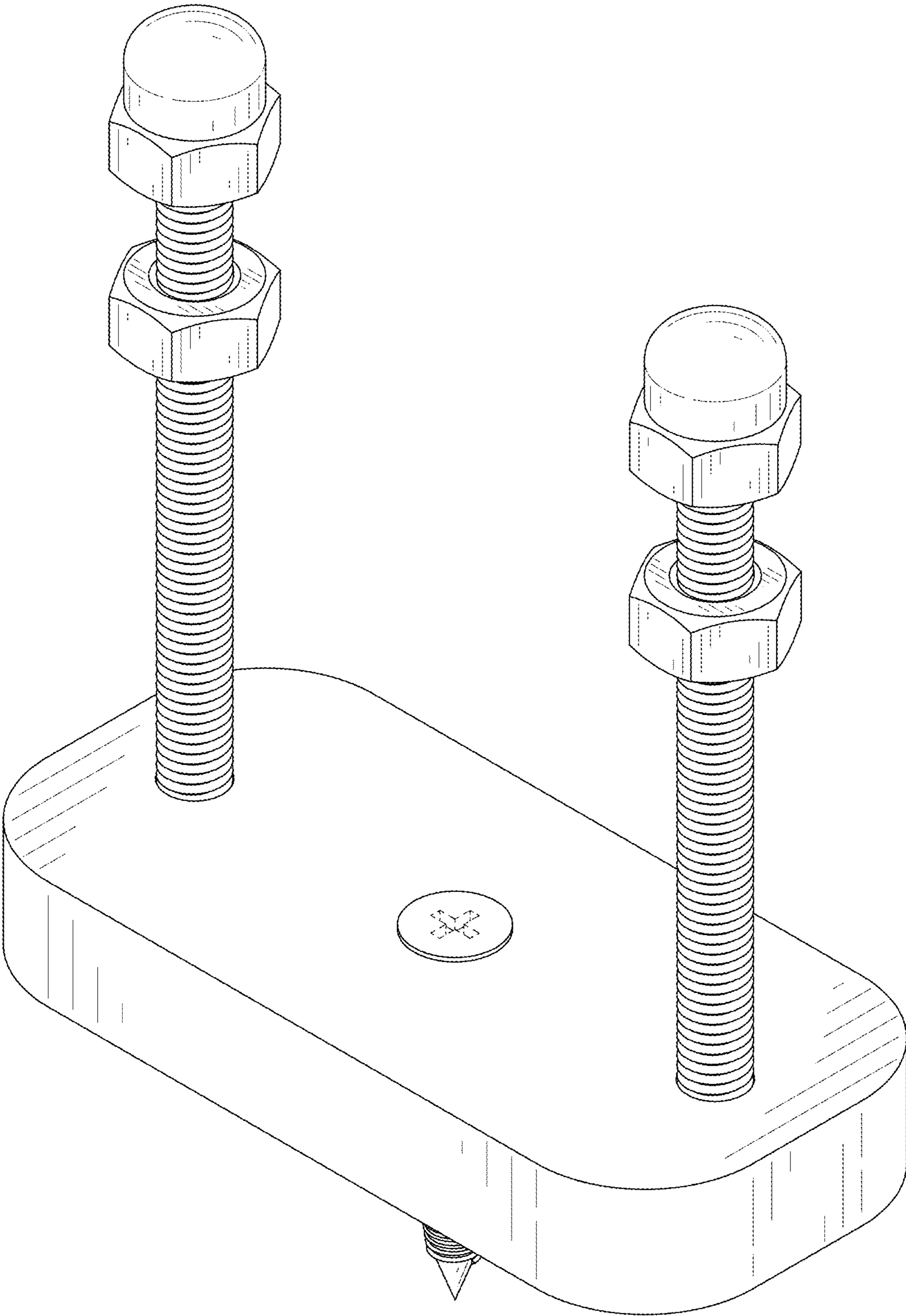


FIG. 1

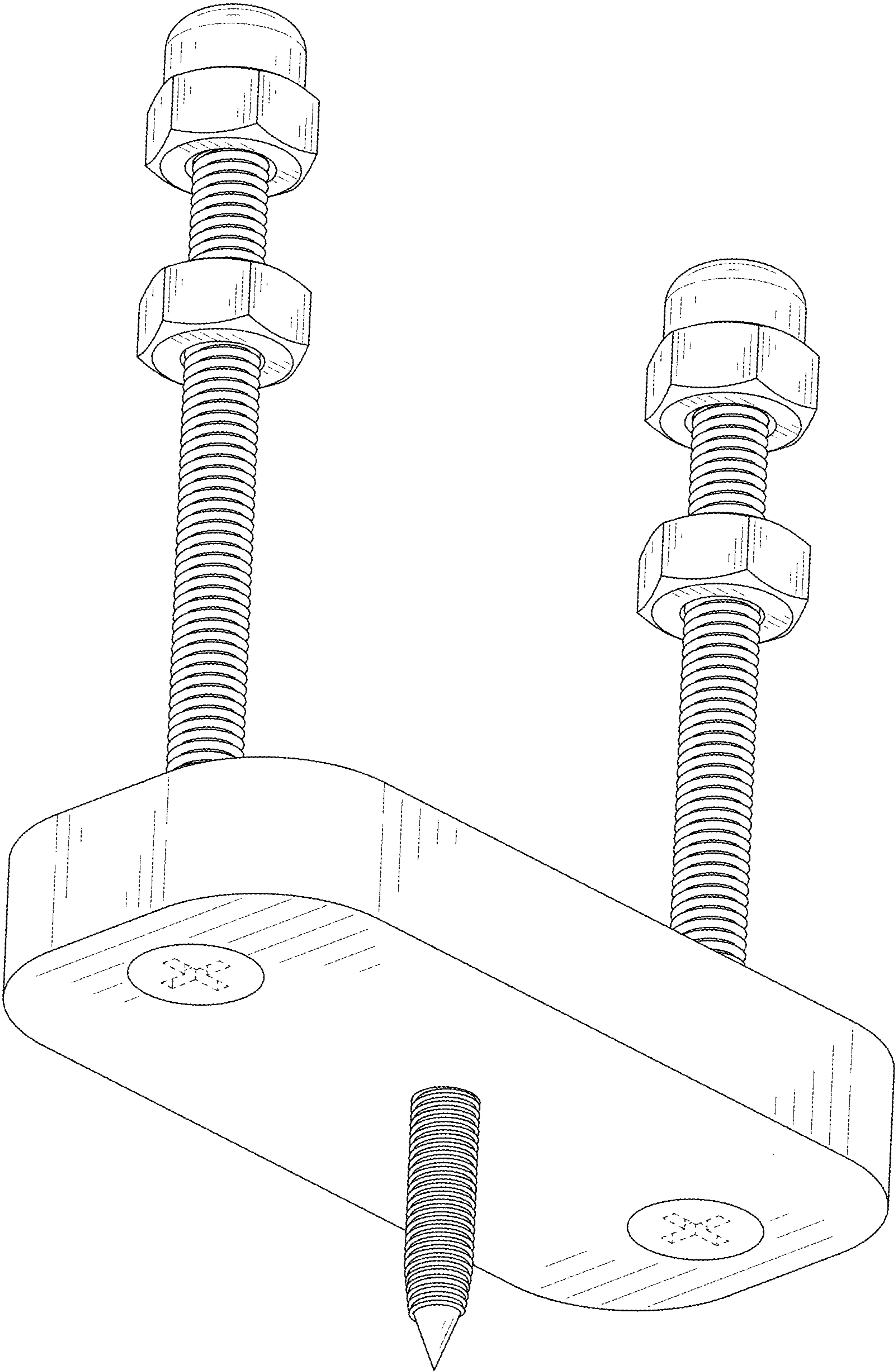


FIG. 2

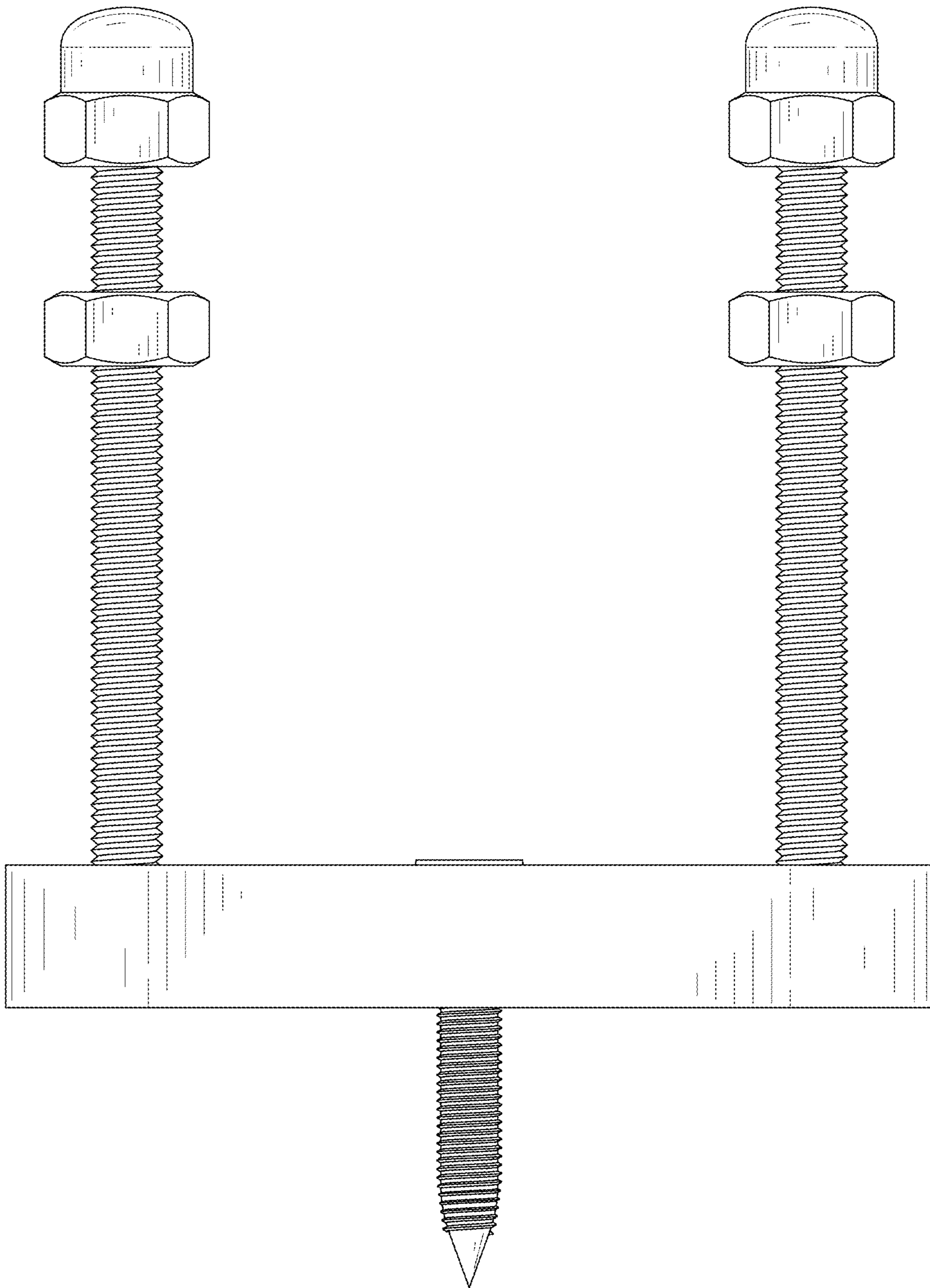


FIG. 3

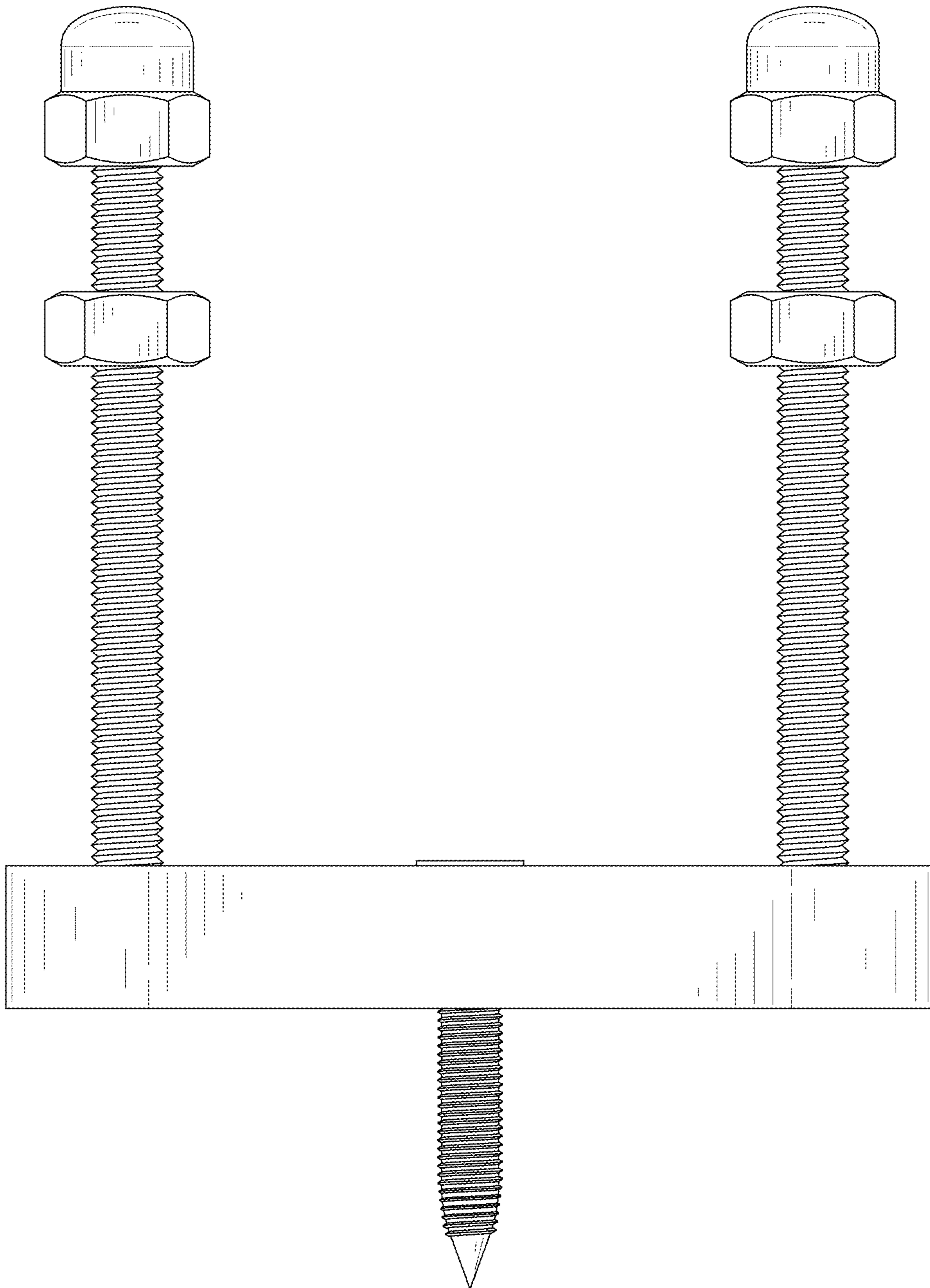


FIG. 4

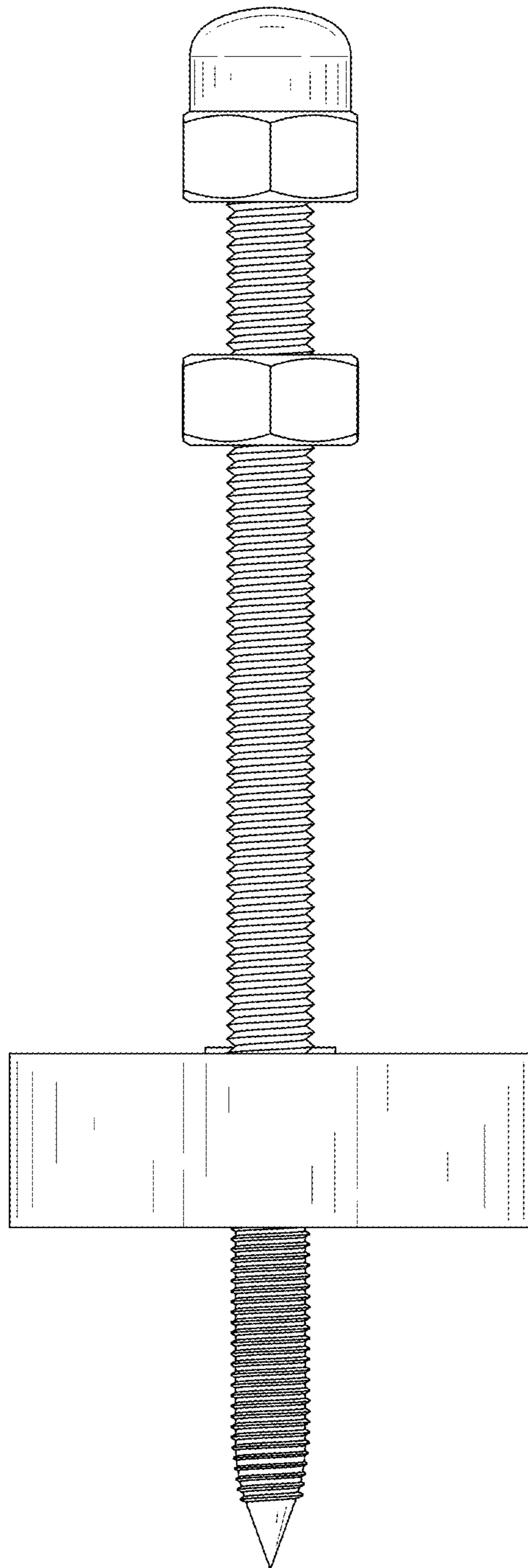


FIG. 5

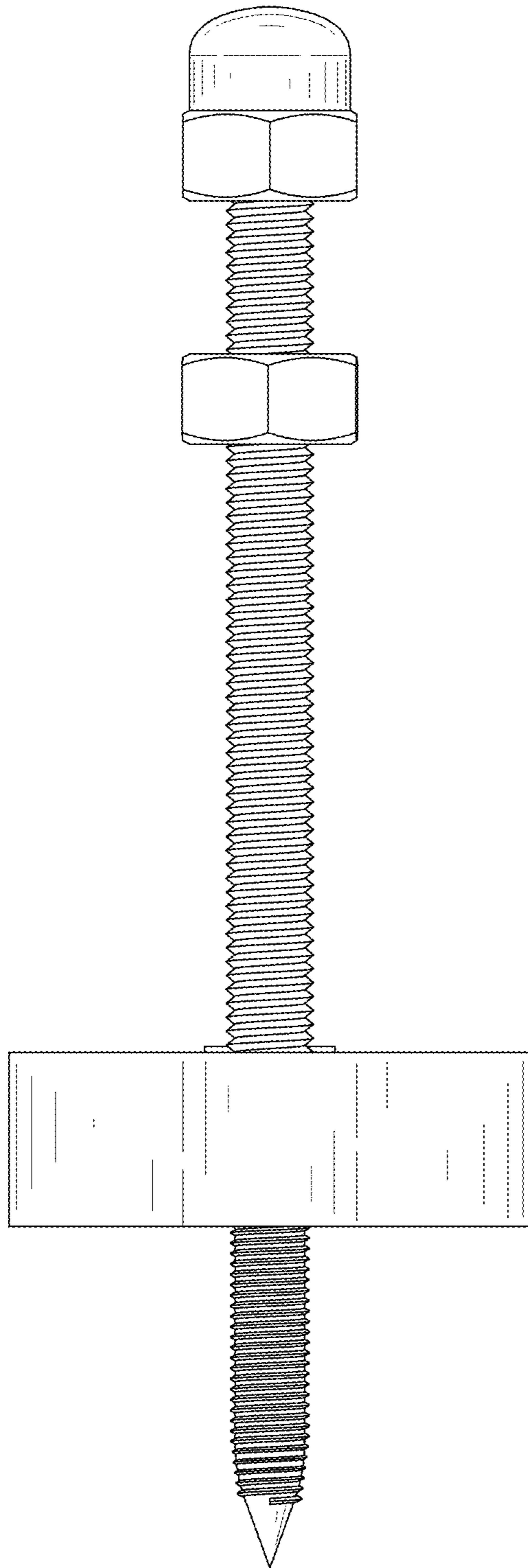


FIG. 6

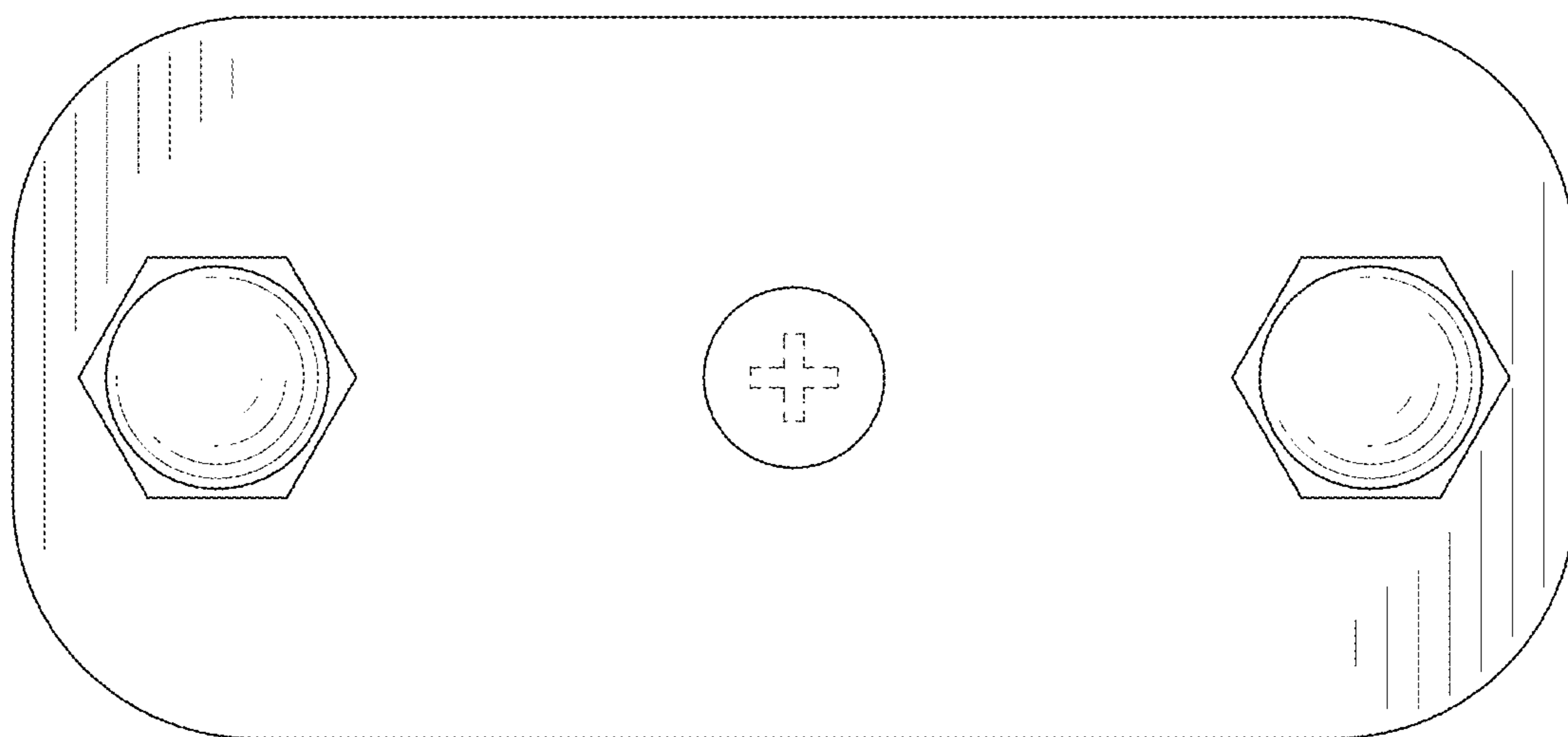


FIG. 7

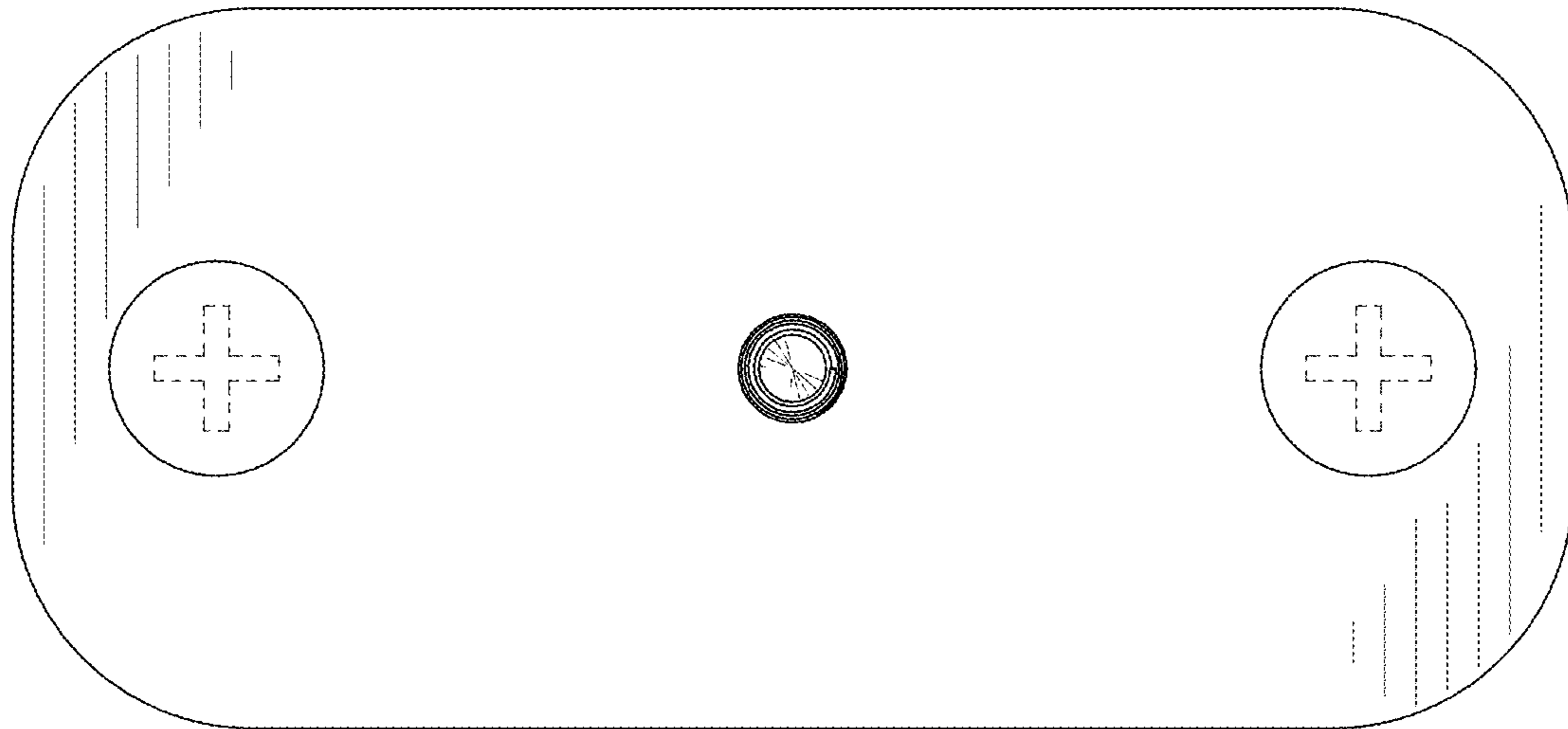


FIG. 8