



US00D897821S

(12) **United States Design Patent** (10) **Patent No.:** **US D897,821 S**  
**Harms et al.** (45) **Date of Patent:** **\*\* Oct. 6, 2020**

(54) **UNIVERSAL BRACKET ASSEMBLY**

(56) **References Cited**

(71) Applicant: **TRINITY INNOVATIVE SOLUTIONS, LLC**, Little Elm, TX (US)

U.S. PATENT DOCUMENTS

(72) Inventors: **Dwight David Harms**, Little Elm, TX (US); **Timothy Francis Hall**, Little Elm, TX (US)

D148,736 S	2/1948	Travis
5,016,850 A	5/1991	Plahn
D331,005 S	11/1992	Plahn
5,246,193 A	9/1993	Faidley
D386,215 S	11/1997	White et al.
5,695,164 A	12/1997	Hartmann et al.
5,911,395 A	6/1999	Hussaini
D523,477 S	6/2006	Cetera
D534,939 S	1/2007	Sheehan et al.
D552,978 S	10/2007	Liao
D563,452 S	3/2008	Tan et al.
D564,559 S	3/2008	Stephens et al.
D607,716 S	1/2010	Chiu
D614,945 S	5/2010	Chiu
7,762,512 B2	7/2010	Carnevali
7,775,486 B2	8/2010	Depay et al.

(73) Assignee: **TRINITY INNOVATIVE SOLUTIONS, LLC**, Little Elm, TX (US)

(\*\*) Term: **15 Years**

(21) Appl. No.: **29/693,527**

(22) Filed: **Jun. 3, 2019**

(Continued)

*Primary Examiner* — Mark A Goodwin  
(74) *Attorney, Agent, or Firm* — David W. Carstens; J. Andrew Reed; Carstens & Cahoon, LLP

**Related U.S. Application Data**

(62) Division of application No. 29/674,304, filed on Dec. 20, 2018, now Pat. No. Des. 872,559, which is a division of application No. 29/564,604, filed on May 13, 2016, now Pat. No. Des. 856,780.

(51) **LOC (12) Cl.** ..... **08-08**

(52) **U.S. Cl.**  
USPC ..... **D8/349**

(58) **Field of Classification Search**  
USPC ..... D8/363, 373, 354, 394, 349; D16/200, D16/204, 208, 213–219, 235, 237–250; D14/203, 209, 217, 224, 250–253, 345, D14/440  
CPC ..... G03B 17/02; G03B 17/04; G03B 17/14; G03B 21/20–2066; G03B 15/041–0436; G03B 17/56; F16M 11/32

See application file for complete search history.

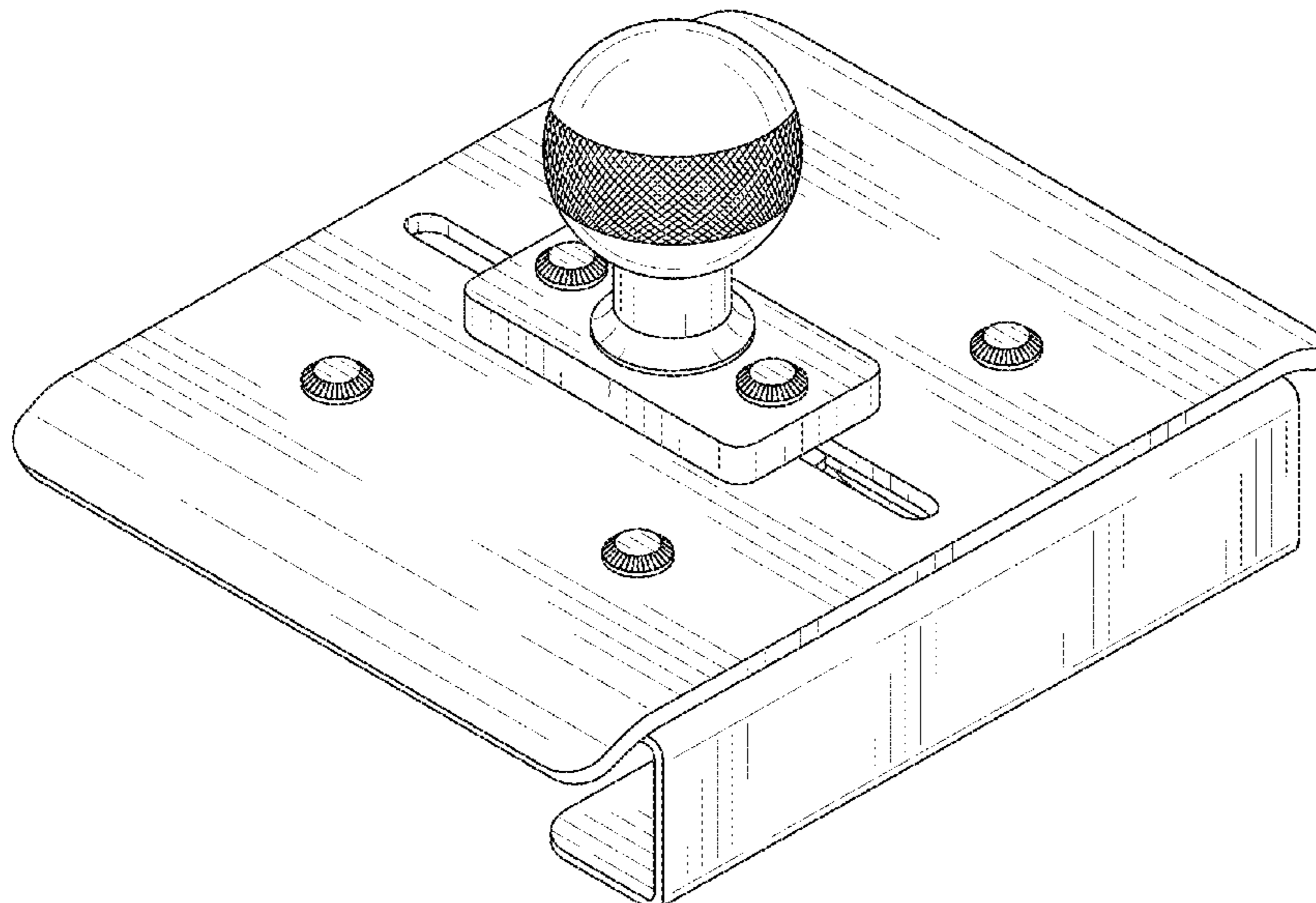
**CLAIM**

The ornamental design for a universal bracket assembly, as shown and described.

**DESCRIPTION**

FIG. 1 is a perspective view of the universal bracket assembly of the present invention having a first bracket element in an assembled condition;  
FIG. 2 is a top plan view of first bracket element;  
FIG. 3 is a bottom plan view of first bracket element;  
FIG. 4 is a rear elevation view of first bracket element; the front elevation view being a mirror thereof;  
FIG. 5 is a right side elevation of first bracket element; the left side elevation view being a mirror thereof;  
FIG. 6 is a perspective view of the universal bracket assembly comprising first and second bracket elements; and,  
FIG. 7 is a bottom plan view of the universal bracket assembly comprising first and second bracket elements.

**1 Claim, 5 Drawing Sheets**



(56)

**References Cited**

U.S. PATENT DOCUMENTS

D631,509 S	1/2011	Liang	
D637,480 S	5/2011	Chen et al.	
D679,700 S	4/2013	Werth	
D682,332 S	5/2013	Wang et al.	
D715,790 S	10/2014	Conomos	
D810,179 S	2/2018	Harms et al.	
D820,342 S	6/2018	Harms et al.	
D831,660 S	10/2018	Yao et al.	
D856,780 S *	8/2019	Harms .....	D8/349
D872,559 S *	1/2020	Harms .....	D8/349

\* cited by examiner

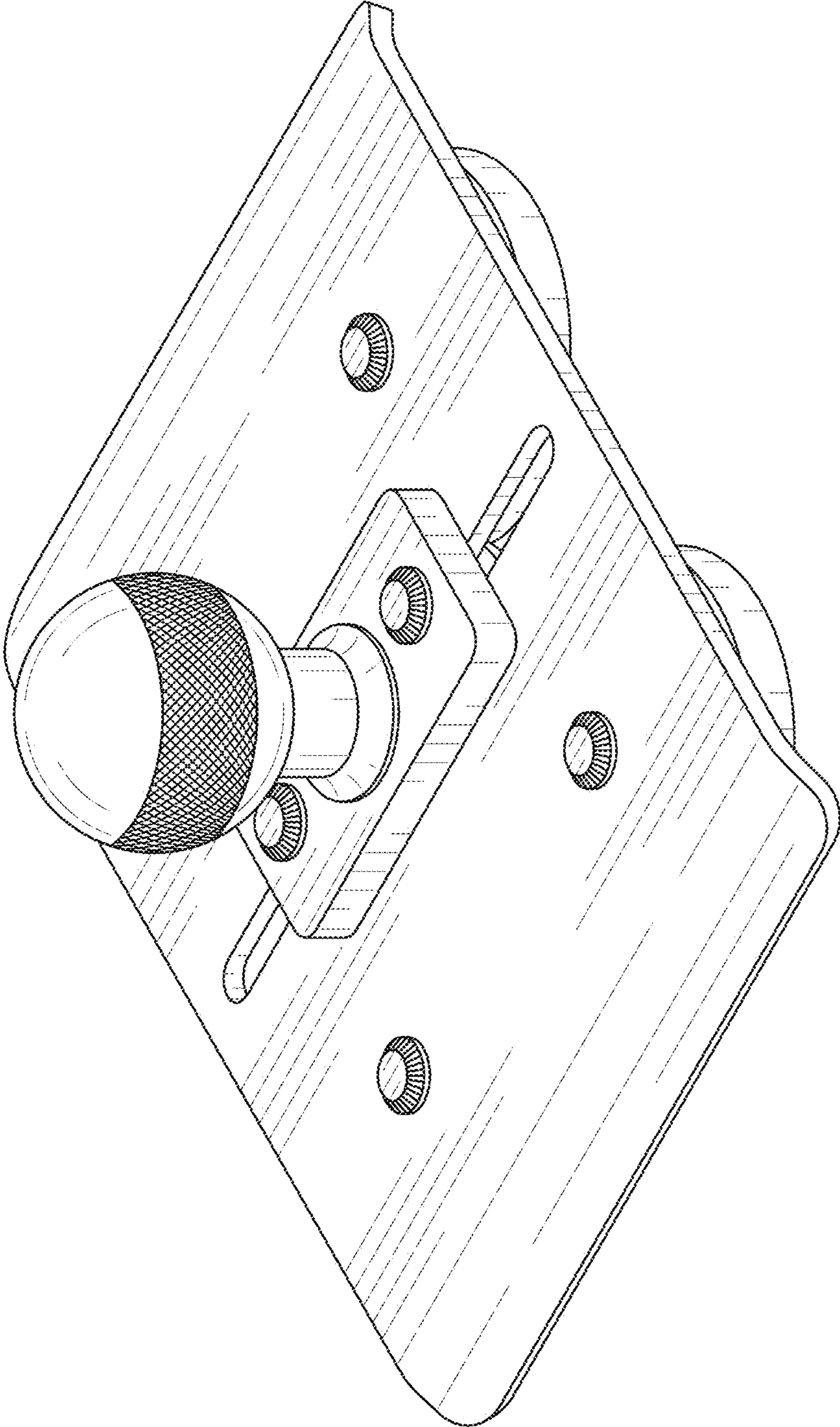


FIG. 1

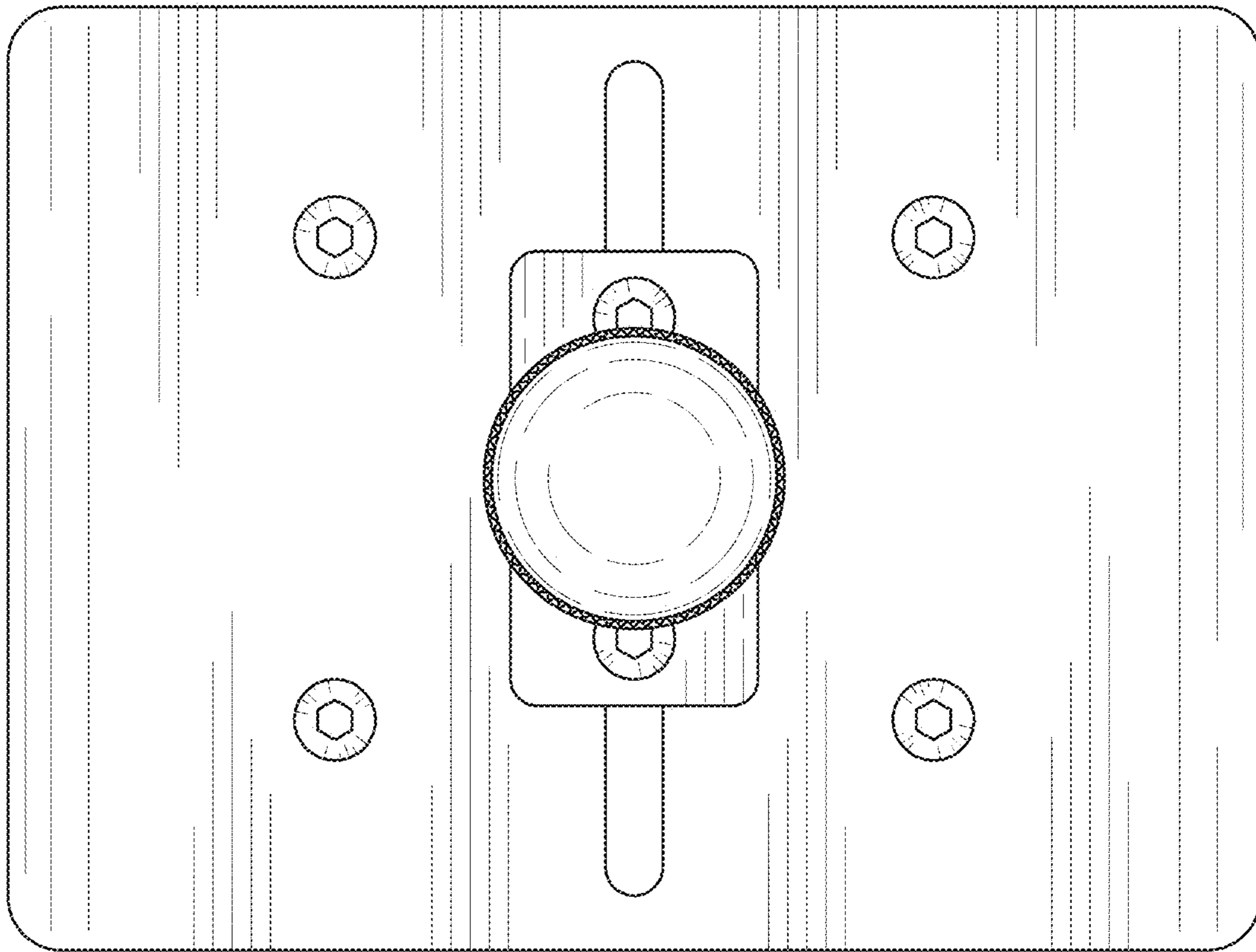


FIG. 2

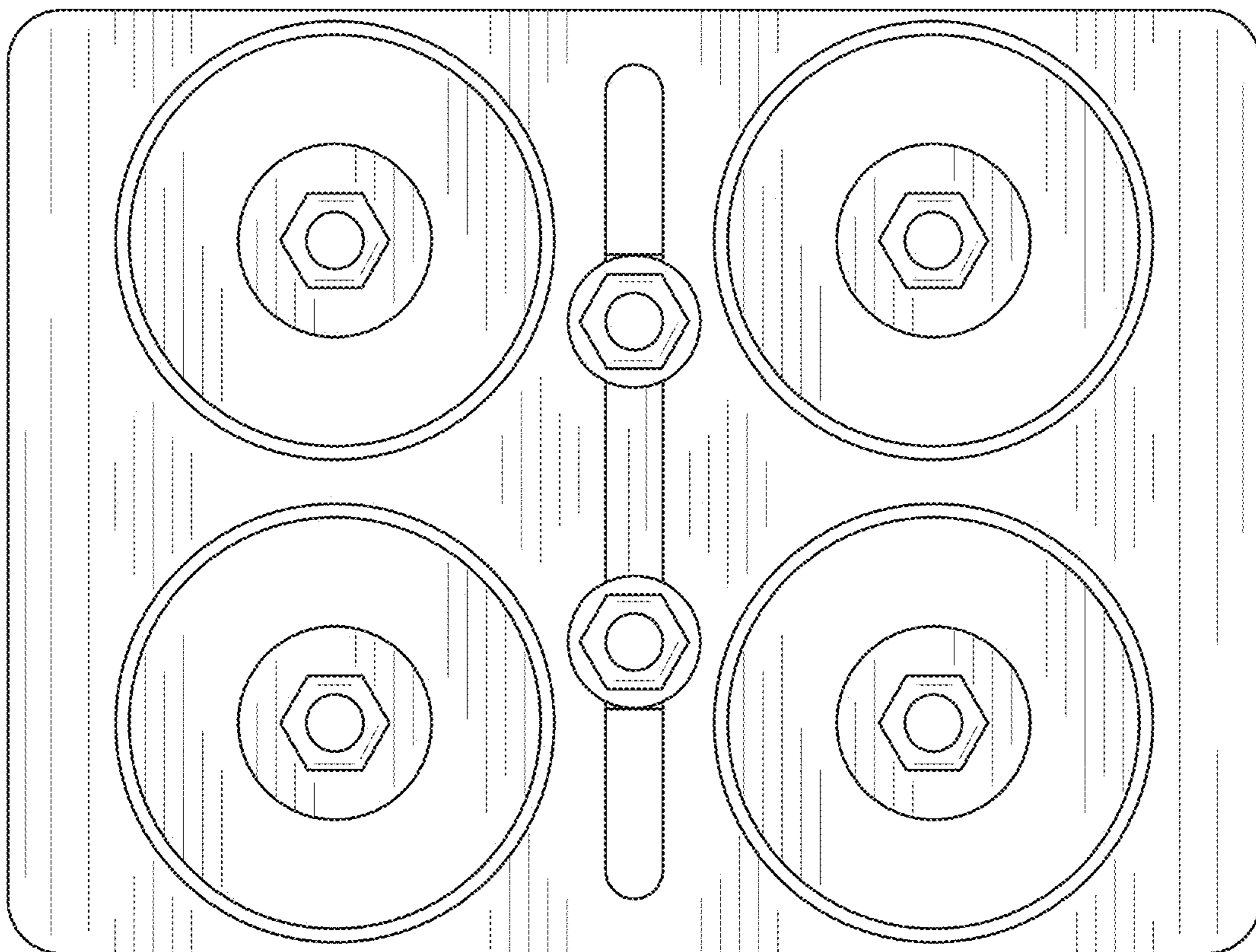
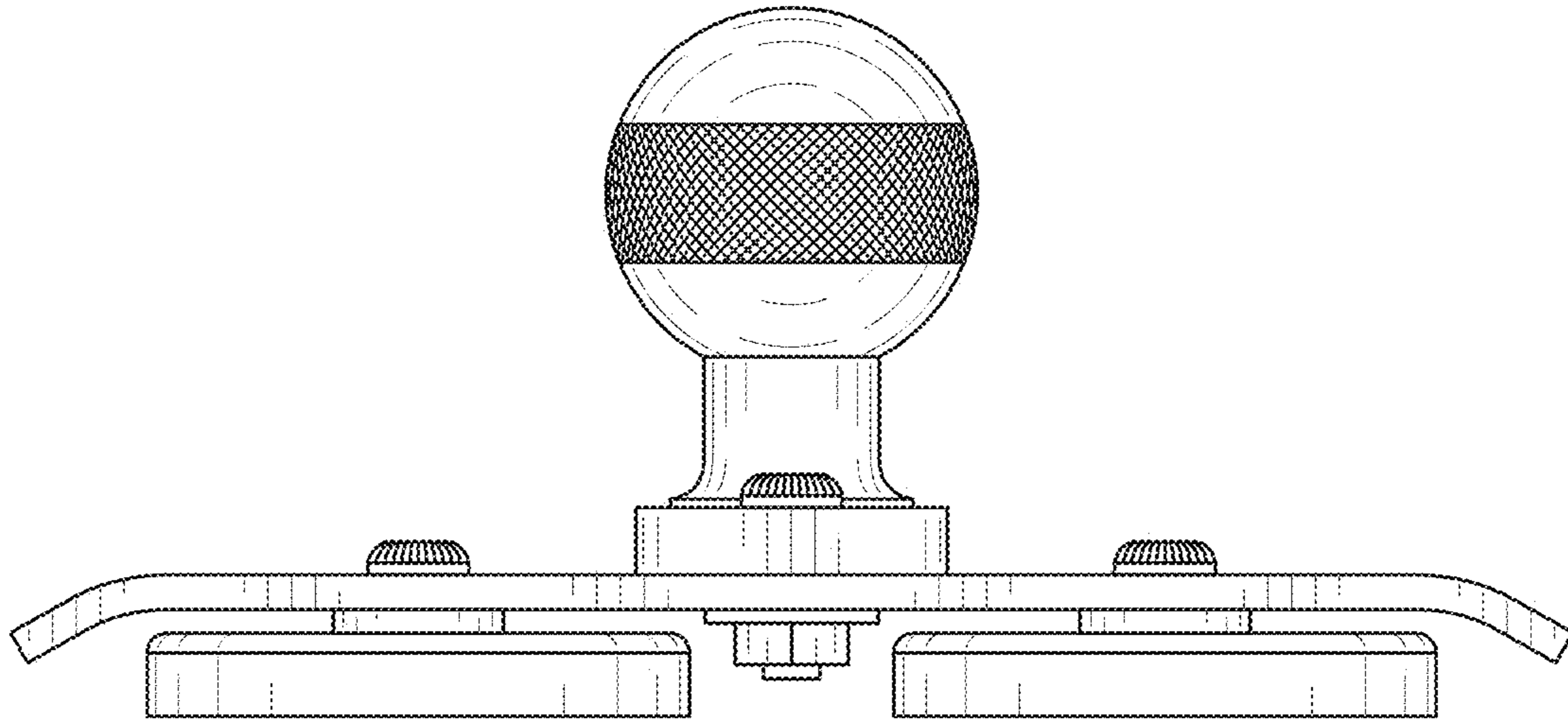
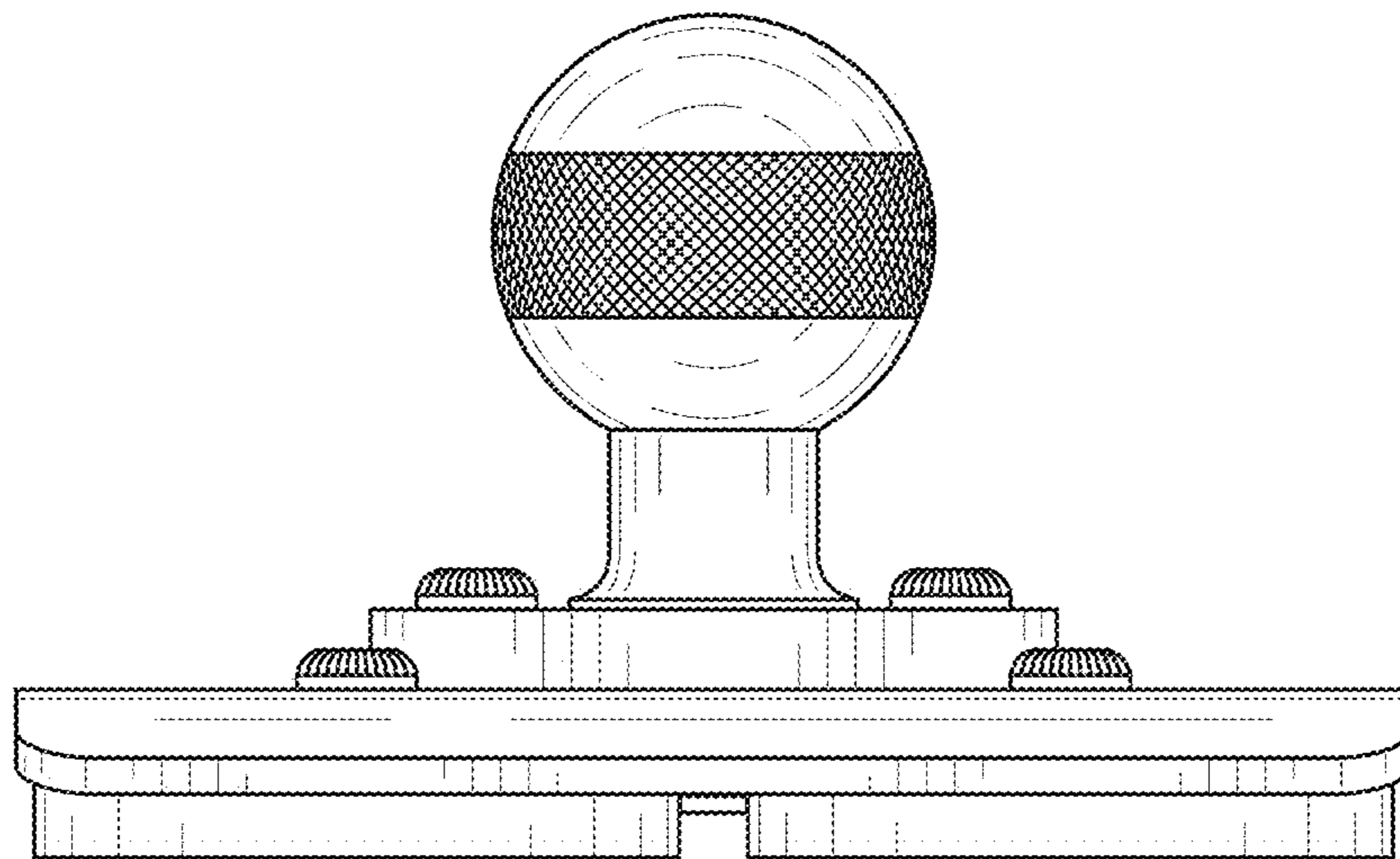


FIG. 3



**FIG. 4**



**FIG. 5**

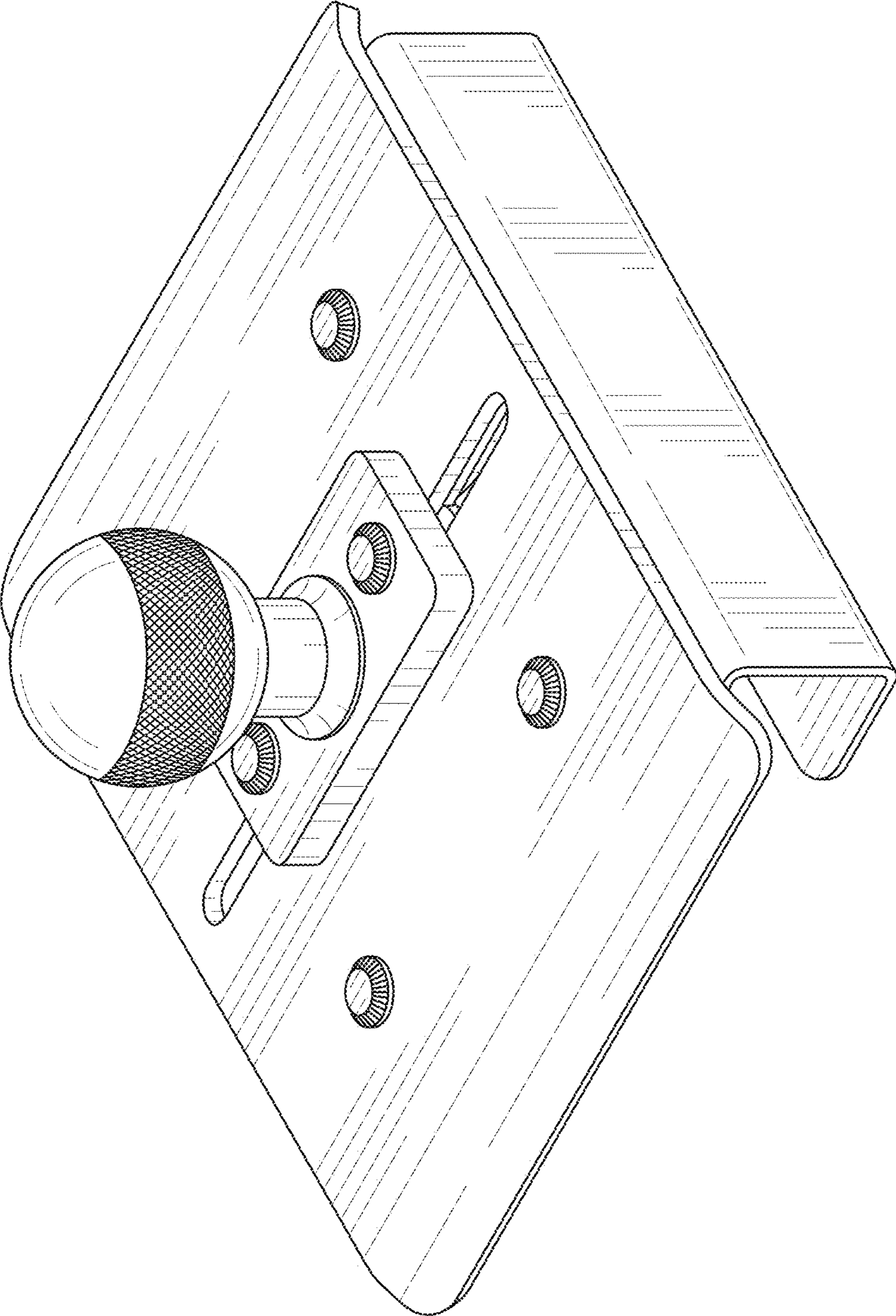


FIG. 6

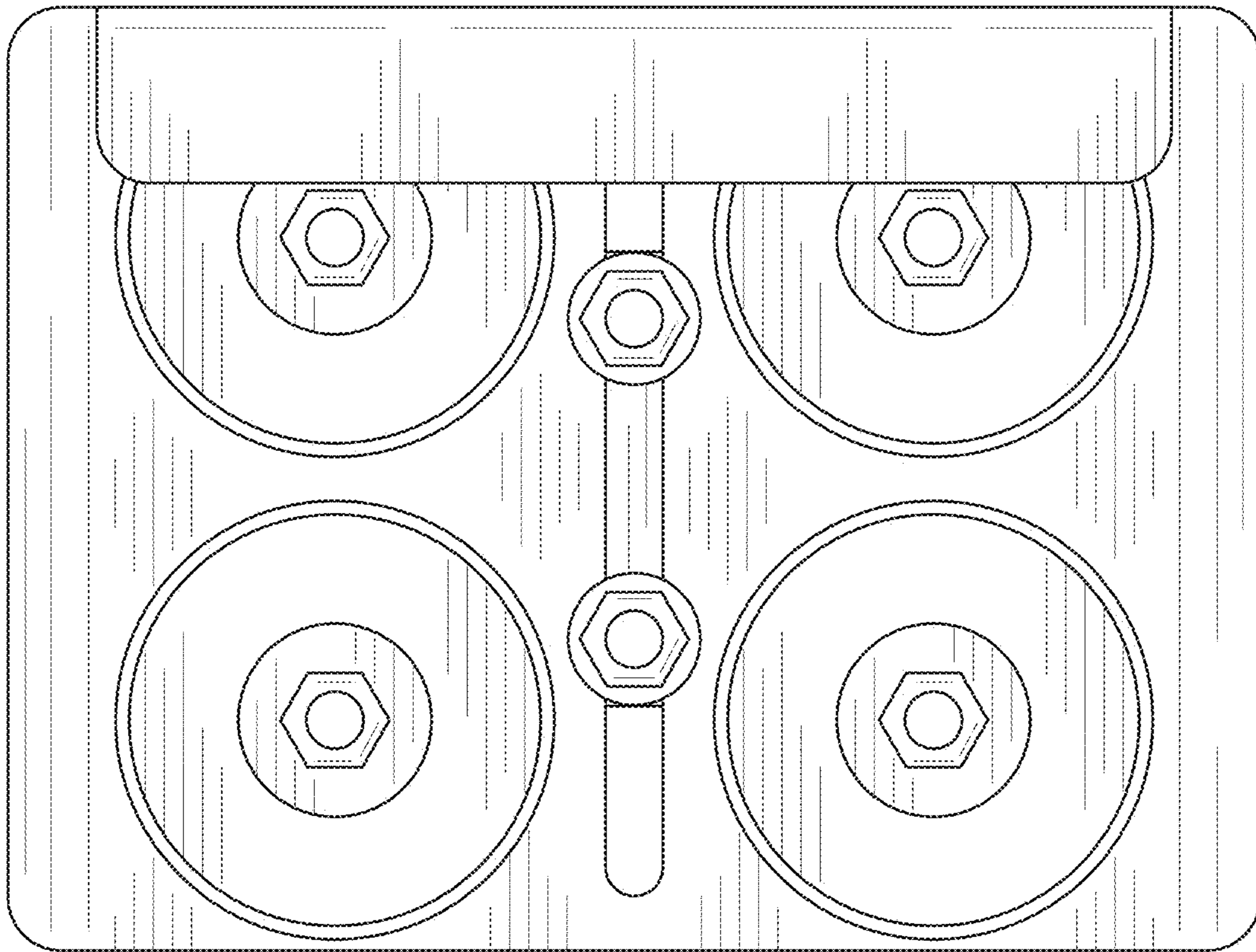


FIG. 7