



US00D897817S

(12) **United States Design Patent** (10) **Patent No.:** **US D897,817 S**  
**Tien** (45) **Date of Patent:** **\*\* Oct. 6, 2020**

(54) **STOPPER FOR A TOP OR BOTTOM LATCH**

(71) Applicant: **I-TEK METAL MFG. CO., LTD,**  
Tainan (TW)

(72) Inventor: **Hung-Jen Tien,** Tainan (TW)

(73) Assignee: **I-TEK METAL MFG. CO., LTD,**  
Tainan (TW)

(\*\*) Term: **15 Years**

(21) Appl. No.: **29/667,827**

(22) Filed: **Oct. 25, 2018**

(51) **LOC (12) Cl.** ..... **08-07**

(52) **U.S. Cl.**  
USPC ..... **D8/331**

(58) **Field of Classification Search**  
USPC ..... D8/330, 331, 336, 338, 339, 341, 342,  
D8/343, 344, 349, 382  
CPC ..... E05B 15/02; E05B 15/0205; E05B 5/00;  
E05B 9/00; E05B 45/08; E05B 45/083;  
E05B 65/0007; Y10T 292/53; Y10T  
292/68; Y10T 292/0803; Y10T 292/0813;  
Y10T 292/0848; Y10T 70/5199  
See application file for complete search history.

(56) **References Cited**

U.S. PATENT DOCUMENTS

D120,752 S *	5/1940	Gallinger et al.	.....	D8/330
D224,082 S *	7/1972	Kolstee et al.	.....	D8/382
D247,546 S *	3/1978	Shaw	.....	D8/344
D273,937 S *	5/1984	Ruff	.....	D8/344
D274,691 S *	7/1984	Wallace	.....	D8/336
D303,351 S *	9/1989	Weinerman	.....	D8/344
D303,754 S *	10/1989	Weinerman	.....	D8/344
D375,248 S *	11/1996	Bryant	.....	D8/344
D423,322 S *	4/2000	Stover	.....	D8/331
D424,407 S *	5/2000	Wallace	.....	D8/339
D436,833 S *	1/2001	Turner	.....	D8/331

D468,994 S *	1/2003	Votruba	.....	D8/343
D494,837 S *	8/2004	Vito	.....	D8/331
D512,905 S *	12/2005	Byers	.....	D8/382
D513,170 S *	12/2005	Byers	.....	D8/382
D525,859 S *	8/2006	Eichert	.....	D8/344
D637,061 S *	5/2011	Mitchell	.....	D8/330
D646,146 S *	10/2011	Stuckey	.....	D8/331
D646,147 S *	10/2011	Stuckey	.....	D8/331
8,870,245 B2 *	10/2014	Johnson	.....	E05B 63/0013 292/197
D741,697 S *	10/2015	McGrath	.....	D8/382
D741,698 S *	10/2015	McGrath	.....	D8/382
D777,010 S *	1/2017	Sarnowski	.....	D8/331
D789,770 S *	6/2017	Reeb	.....	D8/330
D797,544 S *	9/2017	Attanasio	.....	D8/349
D843,824 S *	3/2019	Milani	.....	D8/382

(Continued)

*Primary Examiner* — Steven J Cxyz

(74) *Attorney, Agent, or Firm* — Alan D. Kamrath; Karin L. Williams; Mayer & Williams PC

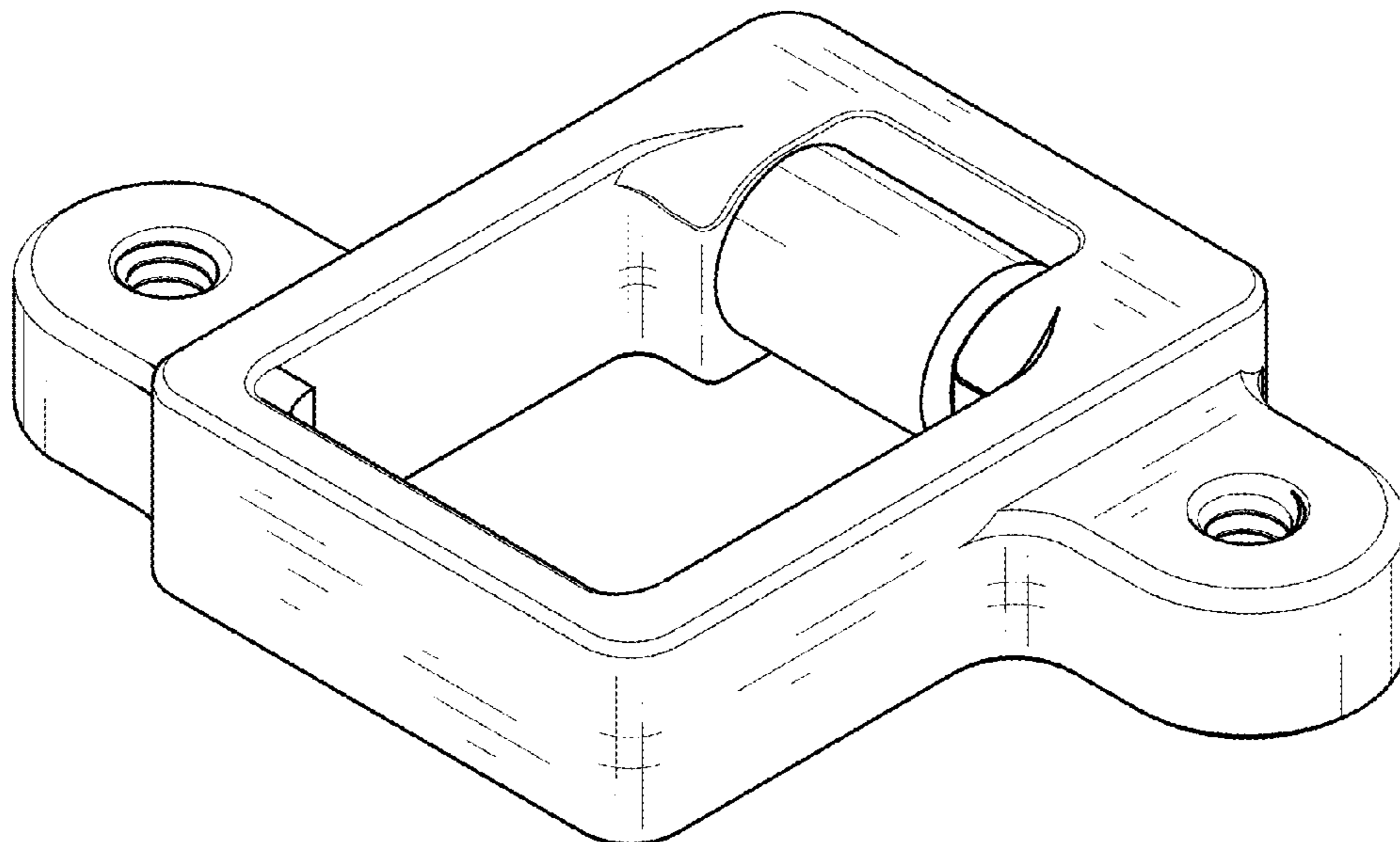
(57) **CLAIM**

The ornamental design for a stopper for a top or bottom latch, as shown and described.

**DESCRIPTION**

FIG. 1 is a top, perspective view of a stopper for a top or bottom latch showing my design;  
FIG. 2 is a bottom, perspective view thereof;  
FIG. 3 is a front elevational view thereof;  
FIG. 4 is a rear elevational view thereof;  
FIG. 5 is a left elevational view thereof;  
FIG. 6 is a right elevational view thereof, the phantom lines being for illustrative purposes only and forming no part of the claimed design;  
FIG. 7 is a top plan view thereof; and,  
FIG. 8 is a bottom plan view thereof.  
The broken lines depict portions of the article that form no part of the claimed design.

**1 Claim, 8 Drawing Sheets**



(56)

**References Cited**

U.S. PATENT DOCUMENTS

D859,968 S \* 9/2019 West ..... D8/382  
D867,121 S \* 11/2019 Zalme ..... D8/394

\* cited by examiner

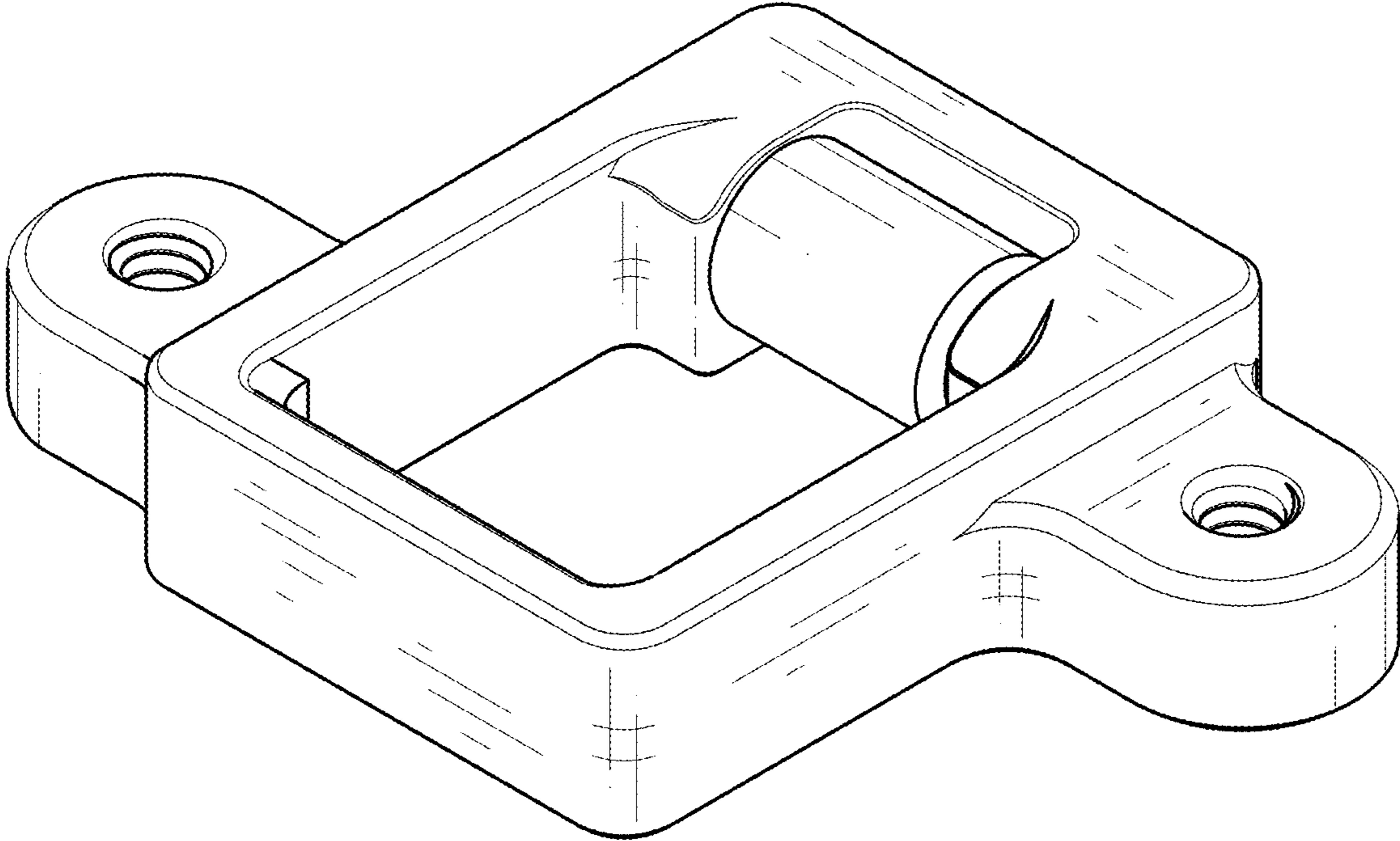


FIG.1

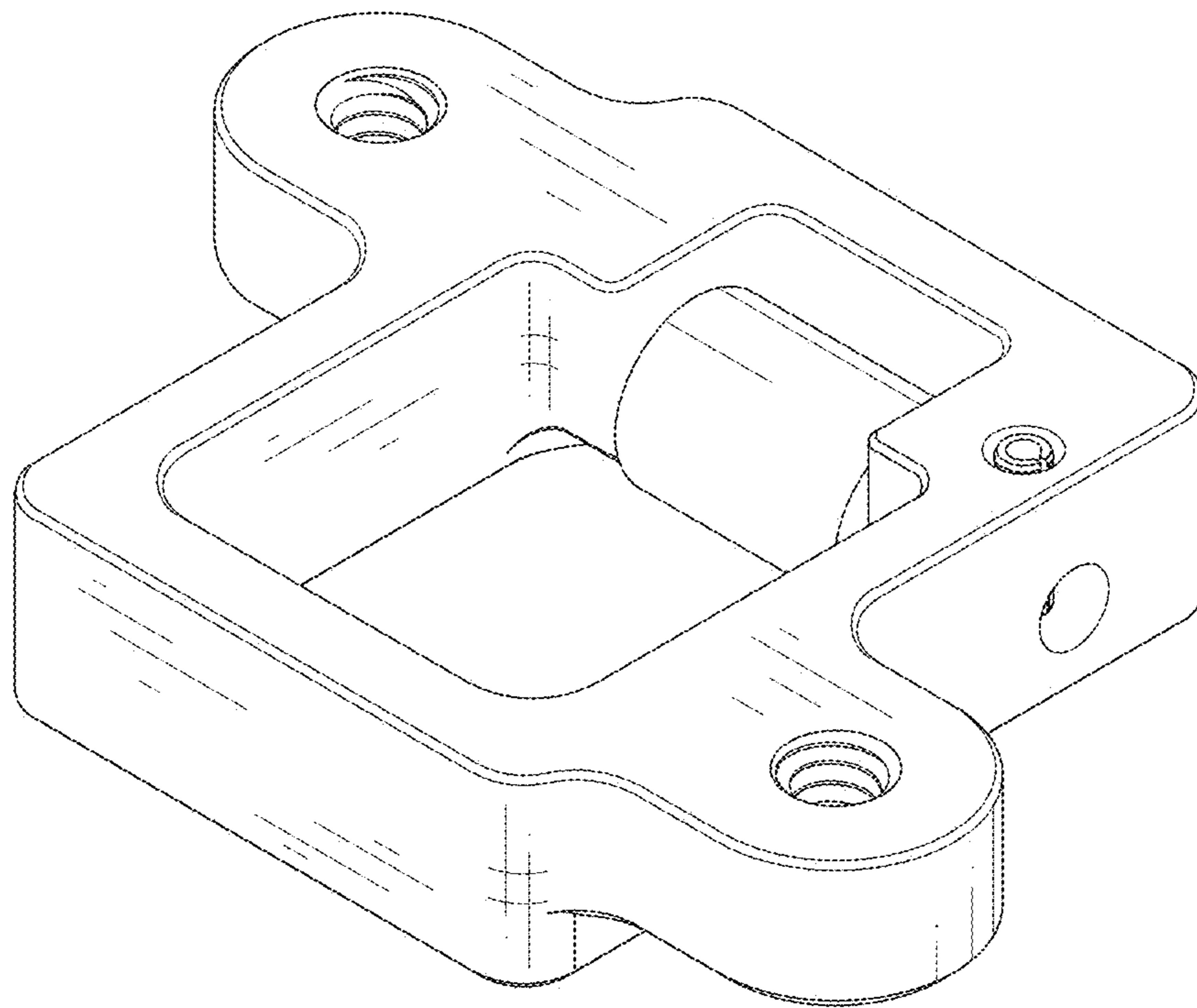


FIG.2

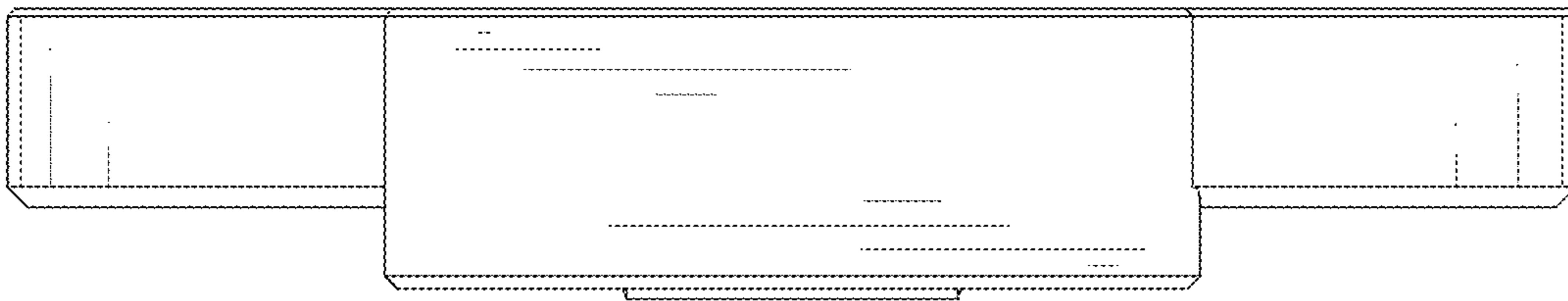


FIG.3

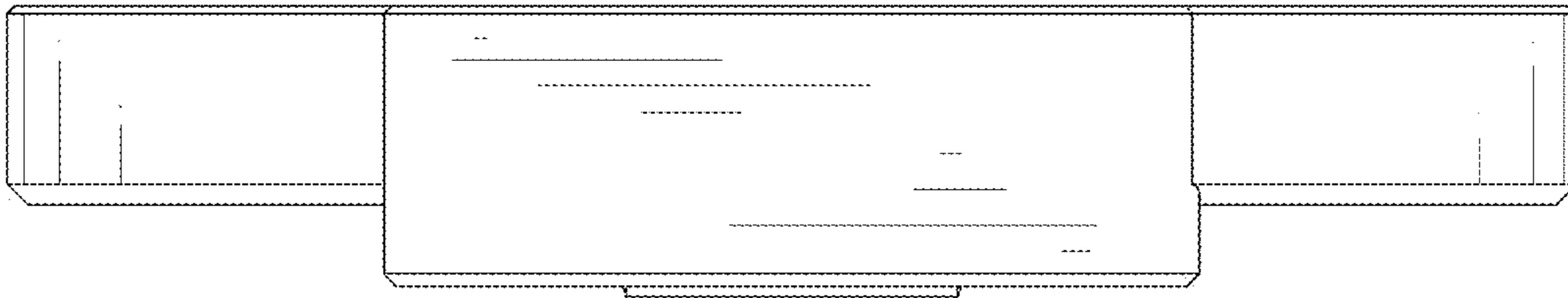


FIG.4

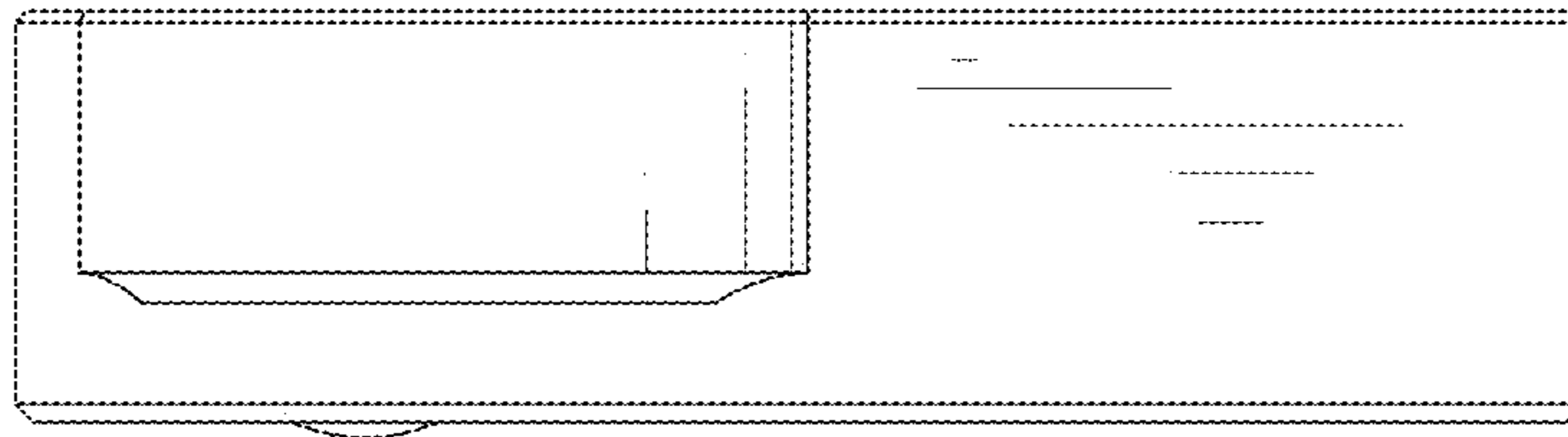


FIG.5

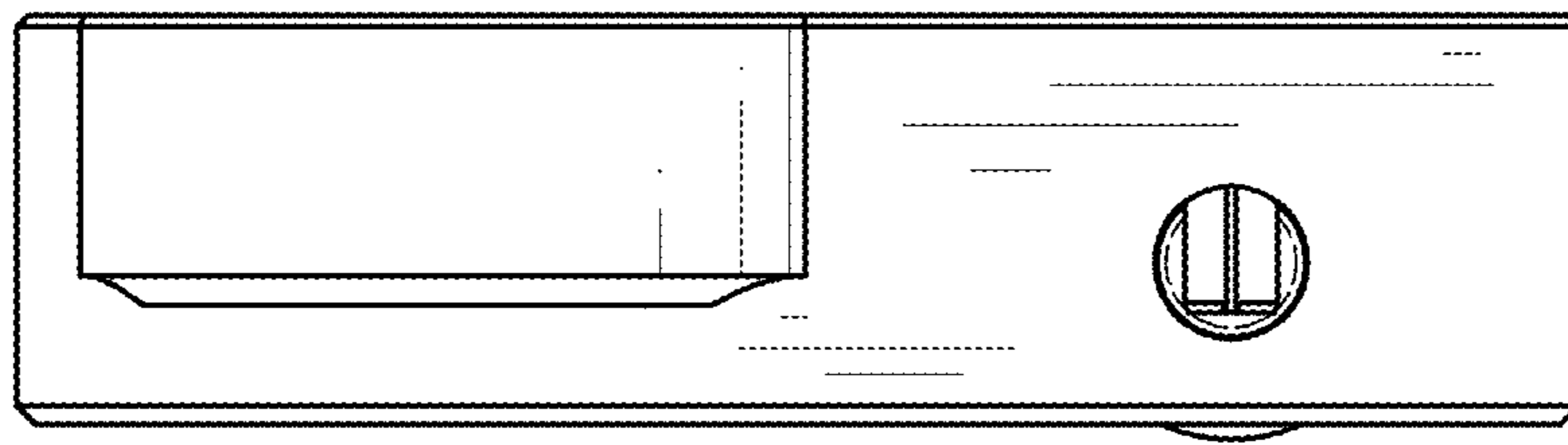


FIG.6



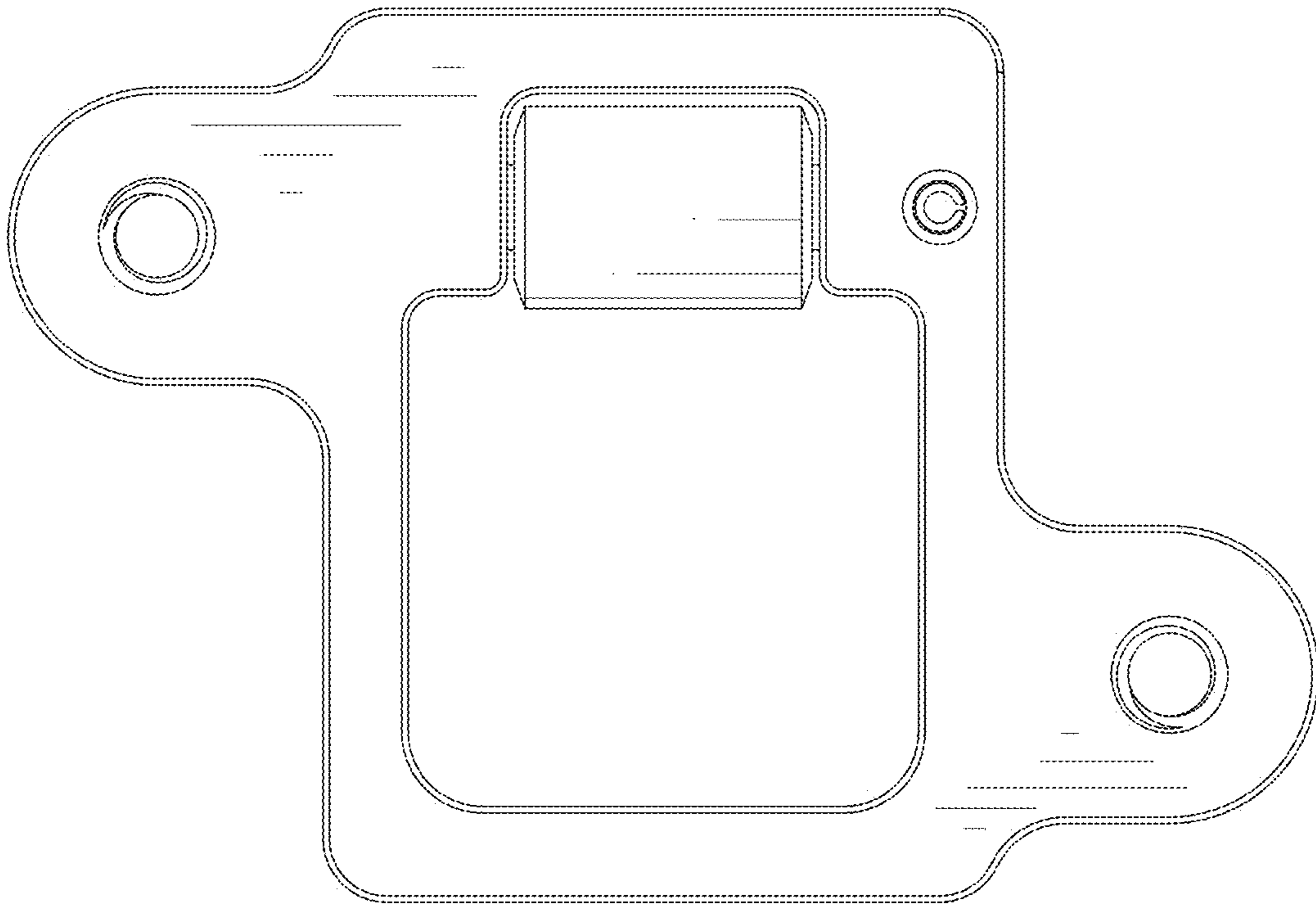


FIG. 7

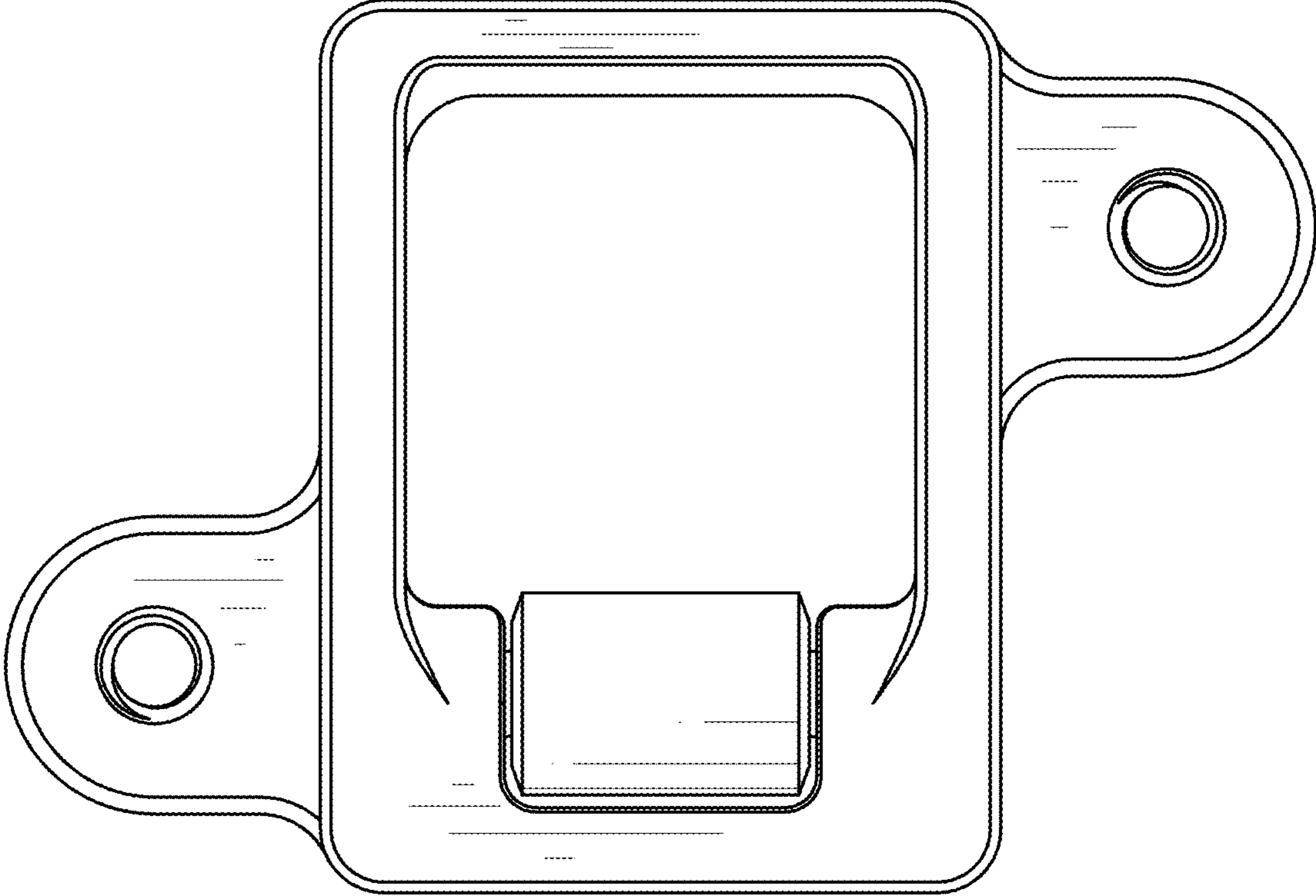


FIG.8