



US00D897816S

(12) **United States Design Patent**
Grewe

(10) **Patent No.:** **US D897,816 S**

(45) **Date of Patent:** **** Oct. 6, 2020**

(54) **COLD ROOM DOOR CLOSER**

(71) Applicant: **Kason Industries, Inc.**, Newnan, GA
(US)

(72) Inventor: **Brian Grewe**, Mableton, GA (US)

(73) Assignee: **Kason Industries, Inc.**, Newnan, GA
(US)

(**) Term: **15 Years**

(21) Appl. No.: **29/653,403**

(22) Filed: **Jun. 14, 2018**

(51) **LOC (12) Cl.** **08-07**

(52) **U.S. Cl.**
USPC **D8/330**

(58) **Field of Classification Search**
USPC D8/330
CPC E05F 1/10; E05F 1/1008; E05F 1/1016;
E05F 1/123; E05F 1/12; E05F 3/00; E05F
3/06; E05F 3/08
See application file for complete search history.

(56) **References Cited**

U.S. PATENT DOCUMENTS

- 7,007,345 B2 * 3/2006 Nakase G06F 1/1616
16/326
- D639,138 S * 6/2011 Gordon D8/330

- D715,129 S * 10/2014 Quinn D8/330
- D758,165 S * 6/2016 Grundy D8/330
- D760,060 S * 6/2016 Groleski D8/330
- 9,523,230 B2 * 12/2016 Burris E05F 3/102
- D804,930 S * 12/2017 Heitz D8/330
- 9,869,117 B2 * 1/2018 Houser E05F 15/611
- 10,202,789 B2 * 2/2019 Sowter E05C 17/085
- D850,885 S * 6/2019 Ronge D8/330

* cited by examiner

Primary Examiner — Doris Clark

(74) *Attorney, Agent, or Firm* — Baker Donelson
Bearman Caldwell & Berkowitz, PC

(57) **CLAIM**

The ornamental design for a cold room door closer, as shown and described.

DESCRIPTION

FIG. 1 is a perspective view of a cold room door closer showing my new design.

FIG. 2 is a top view thereof.

FIG. 3 is a bottom view thereof.

FIG. 4 is a front view thereof.

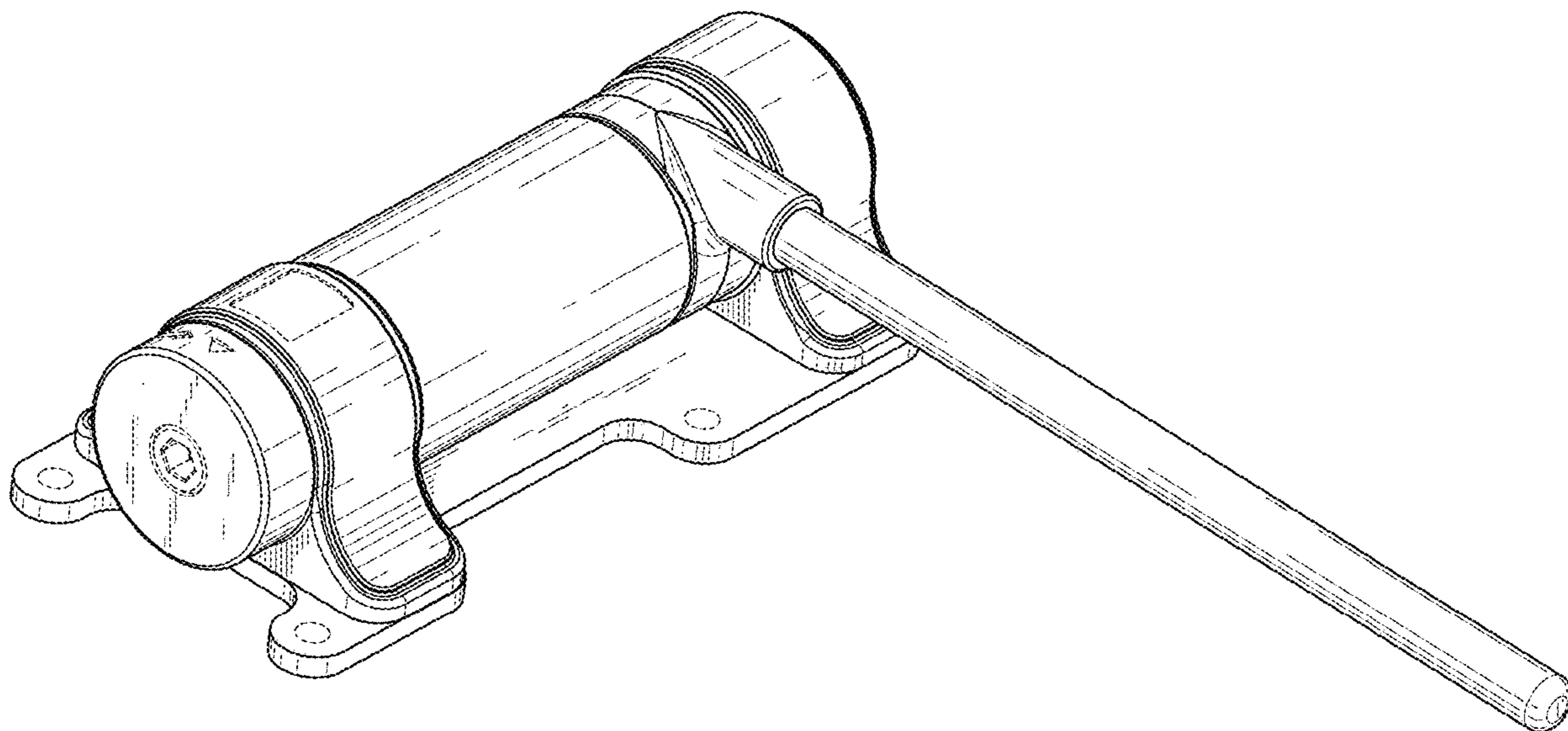
FIG. 5 is a rear view thereof.

FIG. 6 is a right side view thereof; and,

FIG. 7 is a left side view thereof.

The broken lines depict portions of the cold room door closer that form no part of the claimed design.

1 Claim, 5 Drawing Sheets



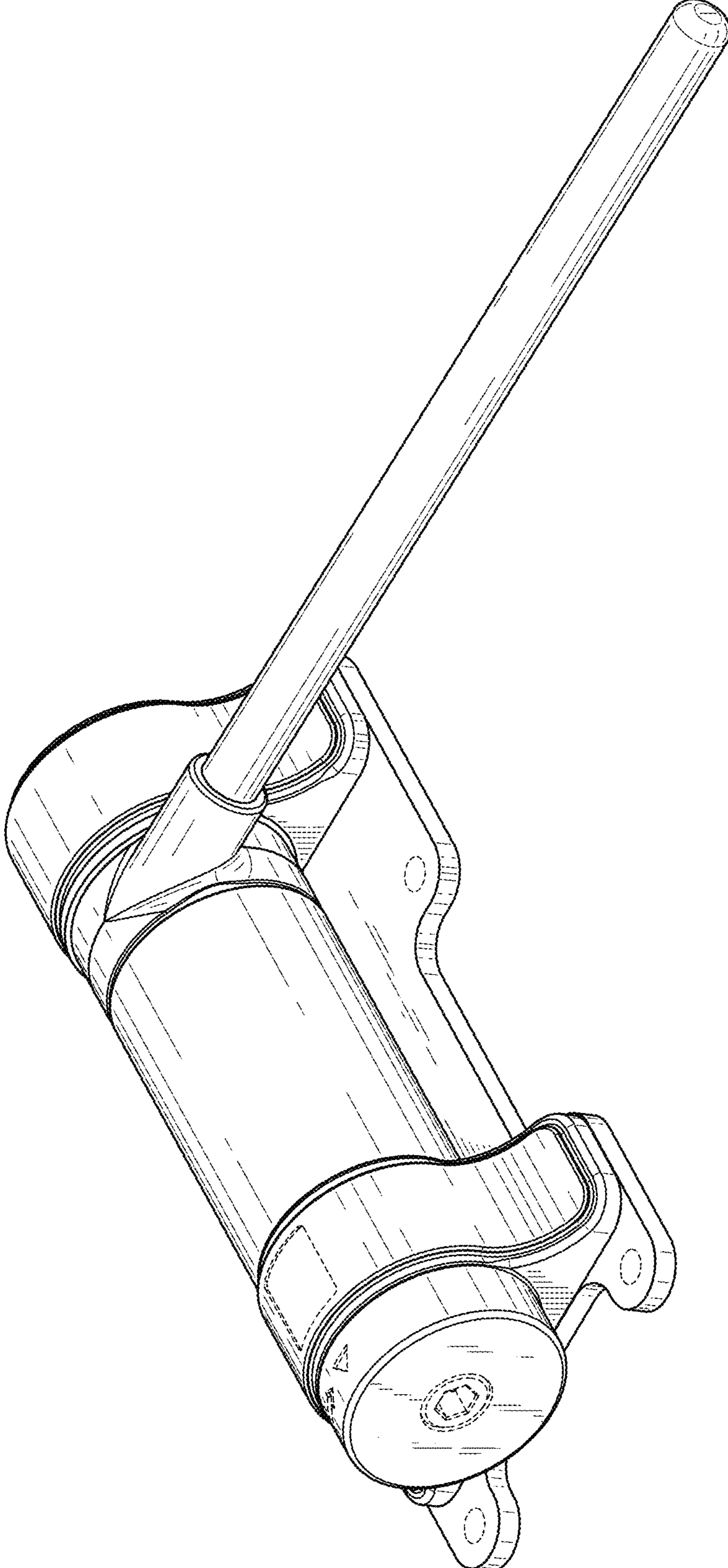


FIG. 1

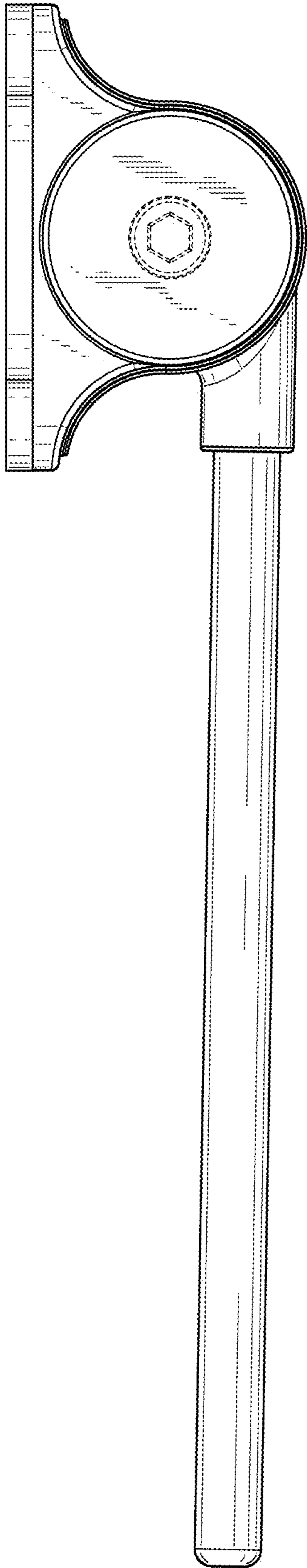


FIG. 2

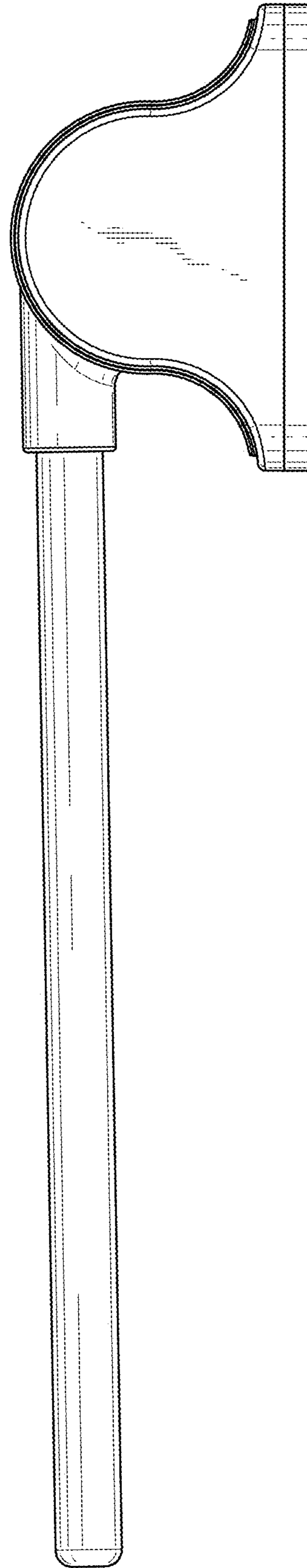


FIG. 3

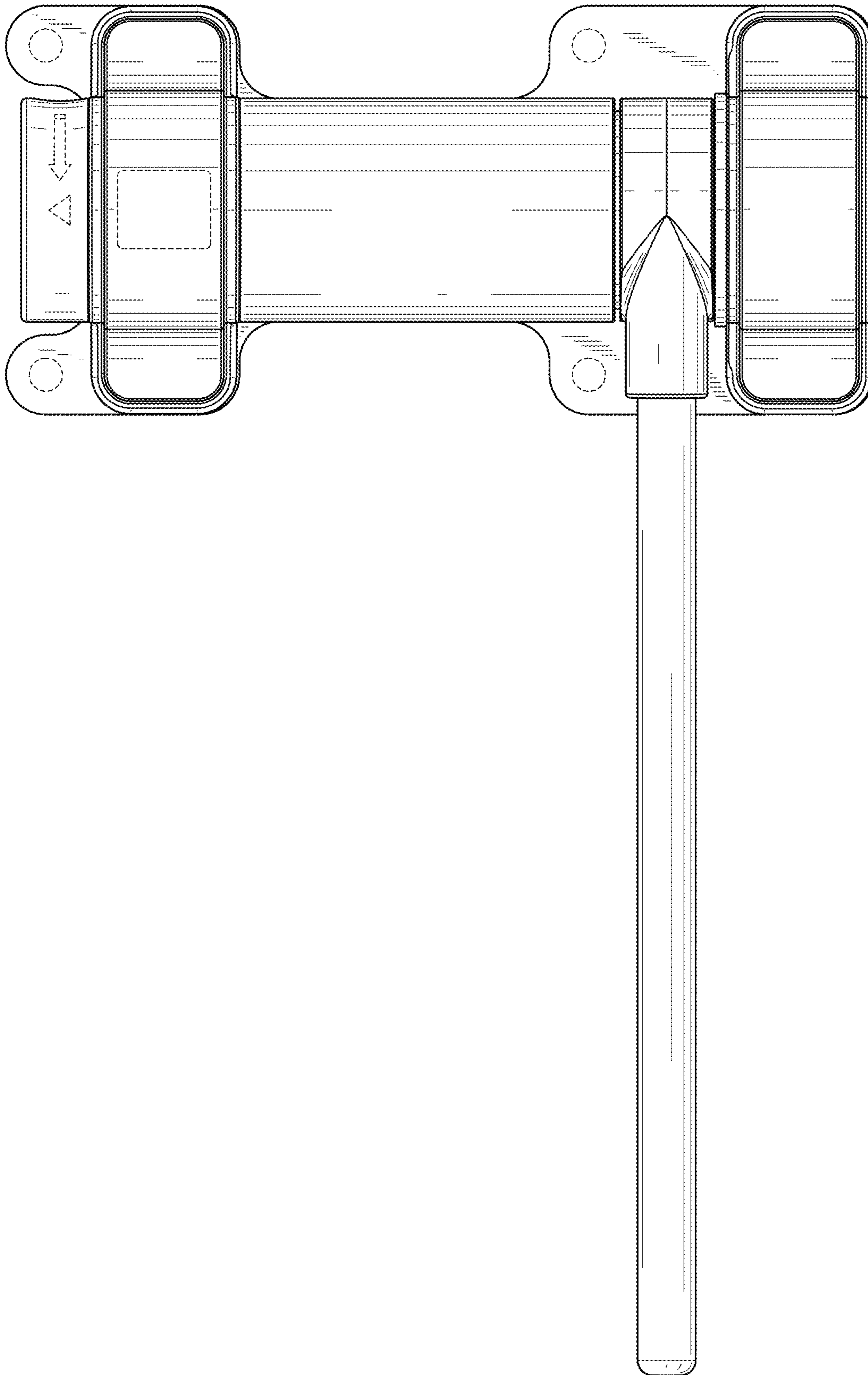


FIG. 4

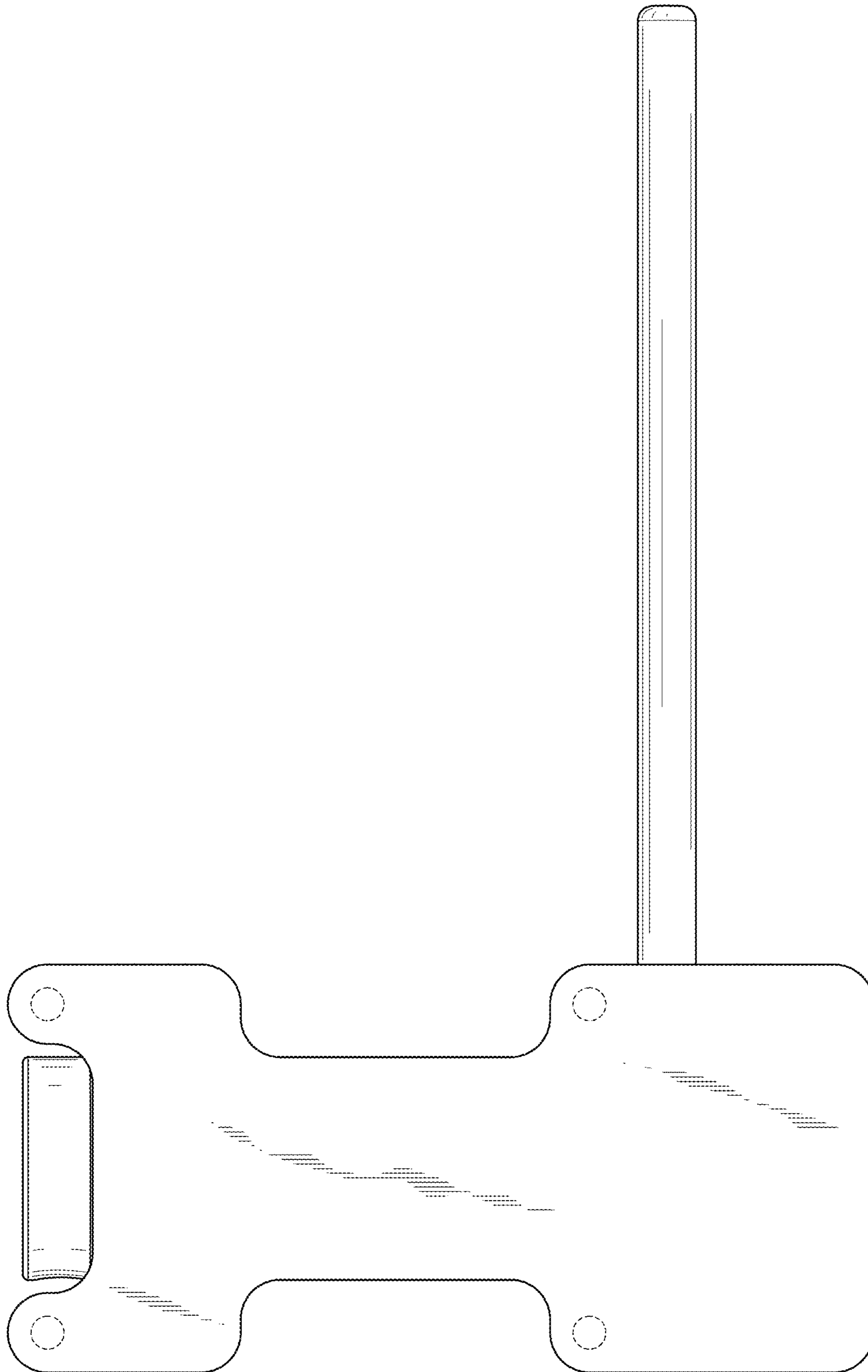


FIG. 5

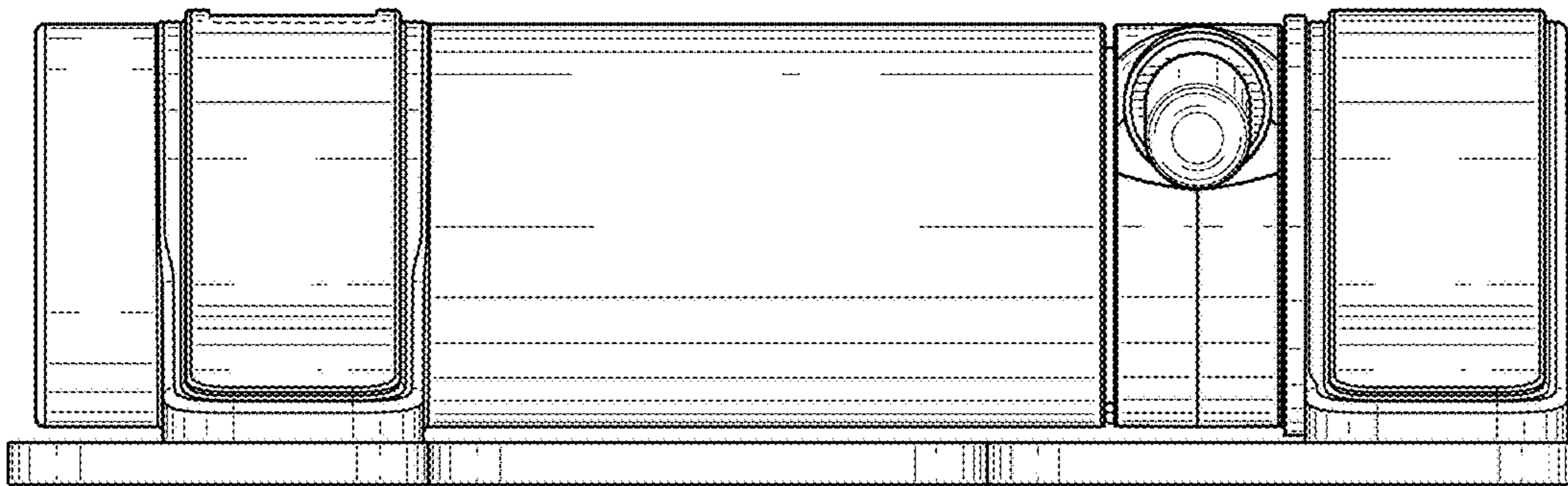


FIG. 7

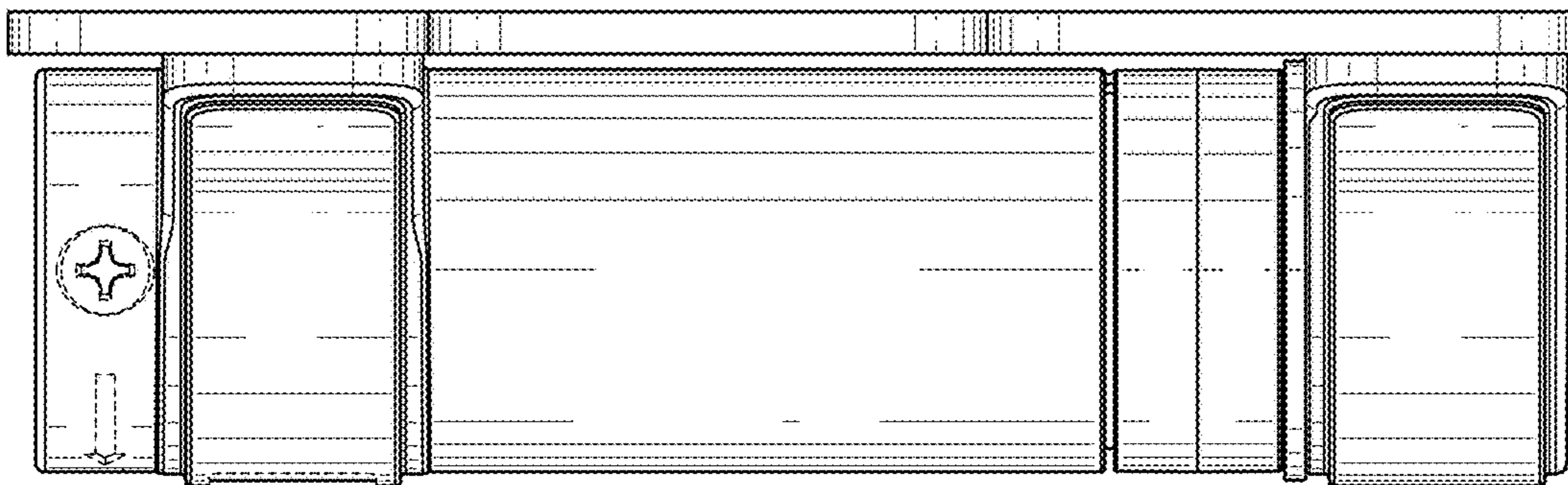


FIG. 6