

US00D897815S

(12) **United States Design Patent** (10) **Patent No.:** **US D897,815 S**  
**Hsieh** (45) **Date of Patent:** **\*\* Oct. 6, 2020**

(54) **HAND TOOL**

(71) Applicant: **KABO TOOL COMPANY**, Taichung (TW)

(72) Inventor: **Chih-Ching Hsieh**, Taichung (TW)

(73) Assignee: **KABO TOOL COMPANY**, Taichung (TW)

(\*\*) Term: **15 Years**

(21) Appl. No.: **29/700,622**

(22) Filed: **Aug. 3, 2019**

(30) **Foreign Application Priority Data**

Apr. 16, 2019 (TW) ..... 108302199

(51) **LOC (12) Cl.** ..... **08-05**

(52) **U.S. Cl.**  
USPC ..... **D8/107; D8/21; D8/94**

(58) **Field of Classification Search**  
USPC ..... D8/15-29, 30-32, 29.1, 29.2, 349, D8/382-386, 396-399, 70, 71, 70.1, D8/72-74, 471, 104-107, 354, 361, 362, D8/360, 360.1, 363-372, 355-359, D8/81-83; 81/87, 60, 186, 124, 4, 121.1, 81/63.1, 119, 489, 177.1, 177.2, 177.85, 81/177.8, 62, 61  
CPC . B25B 23/1427; B25B 23/0007; B25B 23/16; B25B 17/00; B25B 23/0028; B25B 23/0021; B25B 13/50; B25B 13/08; B25B 13/481; B25B 13/461; B25B 23/0035; B25B 15/04; B25G 1/043; E06B 3/685; A61C 1/186; A61C 8/0089; A61B 17/8875; A61B 17/8883

See application file for complete search history.

(56) **References Cited**

U.S. PATENT DOCUMENTS

37,333 A \* 1/1863 Clough et al. .... B25G 1/00 81/492  
232,634 A \* 9/1880 Durgin ..... B27G 15/00 142/56

(Continued)

FOREIGN PATENT DOCUMENTS

CN 302061011 \* 6/2012  
CN 303205165 \* 11/2014

(Continued)

OTHER PUBLICATIONS

Williams, B-52EHLA 3/8-Inch Drive Long Enclosed Head Ratchet, Date first available Aug. 26, 2009, [online]retrieved Jul. 13, 2020, available from internet, www.amazon.com (Year: 2009).\*

(Continued)

*Primary Examiner* — Keli L Hill

*Assistant Examiner* — Sara S Sahneh

(74) *Attorney, Agent, or Firm* — Guice Patents PLLC

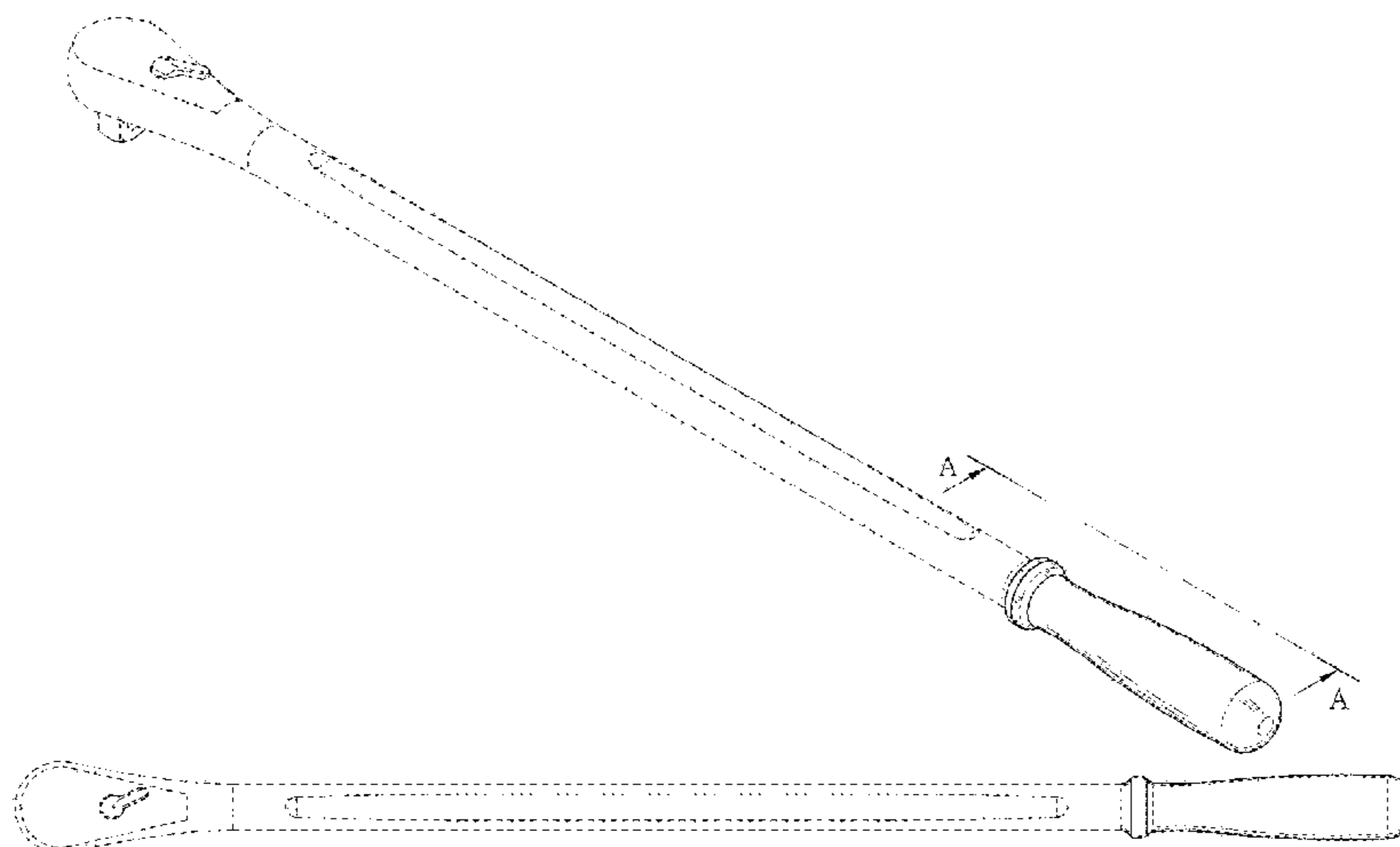
(57) **CLAIM**

The ornamental design for a hand tool, as shown and described.

**DESCRIPTION**

FIG. 1 is a perspective view of a hand tool;  
FIG. 2 is a front view of FIG. 1;  
FIG. 3 is a rear view of FIG. 1;  
FIG. 4 is a left side view of FIG. 1;  
FIG. 5 is a right side view of FIG. 1;  
FIG. 6 is a top view of FIG. 1;  
FIG. 7 is a bottom view of FIG. 1; and,  
FIG. 8 is a sectional view taken along line A-A of FIG. 1.

(Continued)



The broken lines shown on the drawings are included for the purpose of illustrating unclaimed features of the wrench and form no part of the claimed design.

1 Claim, 5 Drawing Sheets

(56)

References Cited

U.S. PATENT DOCUMENTS

355,150 A \* 12/1886 Donoghue ..... B23B 31/1179  
 279/102  
 D107,311 S \* 12/1937 Dunn ..... D8/24  
 2,646,687 A \* 7/1953 De Wald ..... F16H 25/122  
 74/127  
 4,372,356 A \* 2/1983 Conklin ..... B27G 15/00  
 142/56  
 D422,192 S \* 4/2000 Cleveland ..... D8/107  
 6,336,383 B1 \* 1/2002 Hung ..... B25G 1/063  
 81/177.2  
 D527,242 S \* 8/2006 Hsieh ..... D8/107  
 D615,466 S \* 5/2010 Domin ..... D12/177

D641,608 S \* 7/2011 Good ..... D8/107  
 D700,498 S \* 3/2014 Carter ..... B27C 7/06  
 D8/107  
 D704,521 S \* 5/2014 Su ..... D8/25  
 9,021,922 B2 \* 5/2015 Lai ..... B25B 13/461  
 81/60  
 D821,167 S \* 6/2018 James ..... D8/25  
 2013/0228048 A1 \* 9/2013 Lai ..... B25B 13/463  
 81/63.1  
 2014/0053689 A1 \* 2/2014 Lai ..... B25B 13/465  
 81/60

FOREIGN PATENT DOCUMENTS

CN 305289917 \* 8/2018  
 GB 6051787 \* 1/2019  
 JP D1614696 \* 12/2017

OTHER PUBLICATIONS

Yardwe, 5pcs Wooden Handle for File Cutting Tool Craft(8 Inch), Date first available Dec. 28, 2018, [online]retrieved Jul. 13, 2020, available from internet, www.amazon.com (Year: 2018).\*

\* cited by examiner

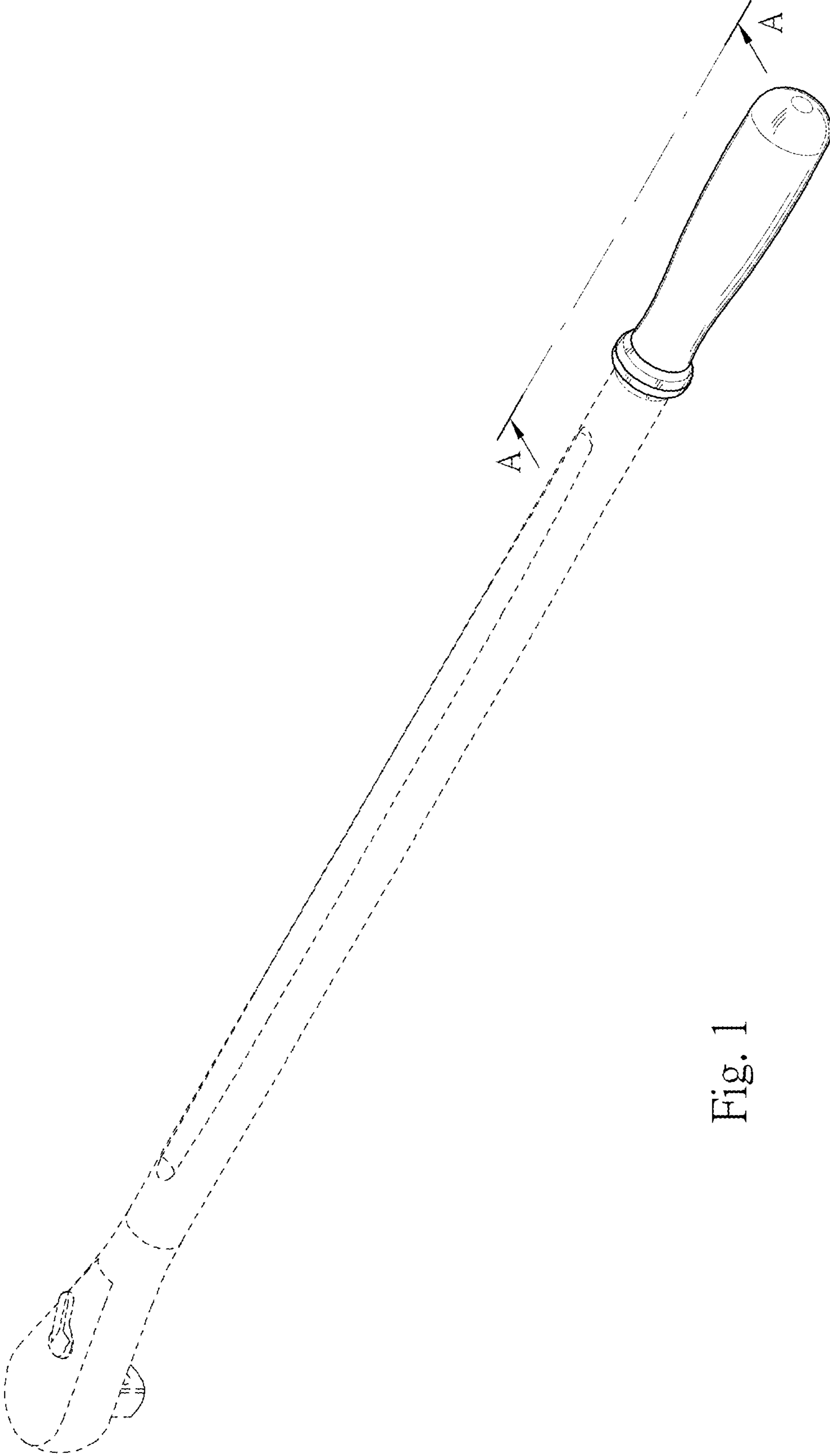


Fig. 1

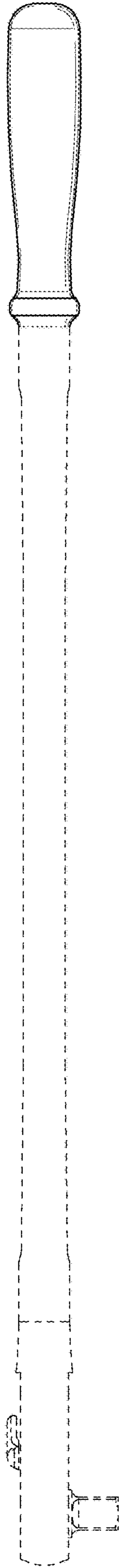


Fig. 2

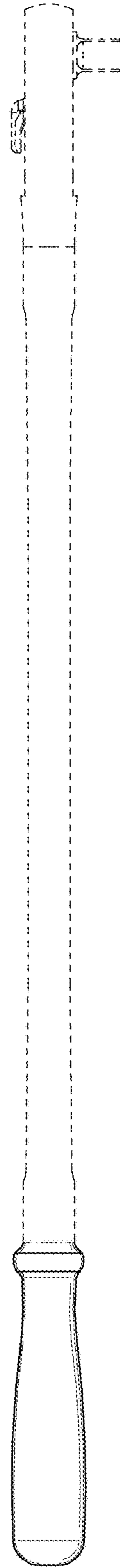


Fig. 3

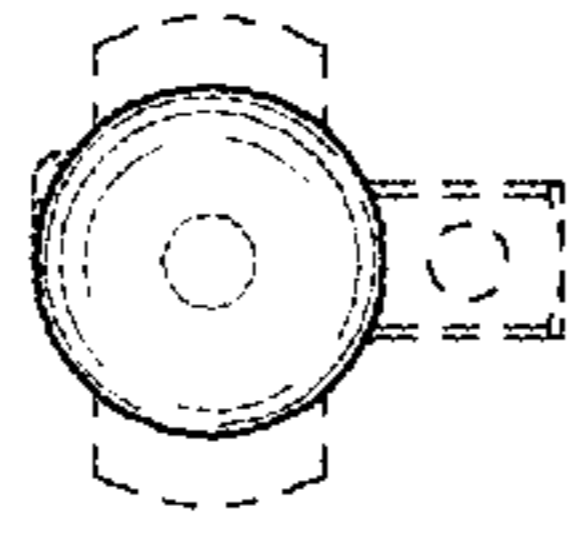


Fig. 5

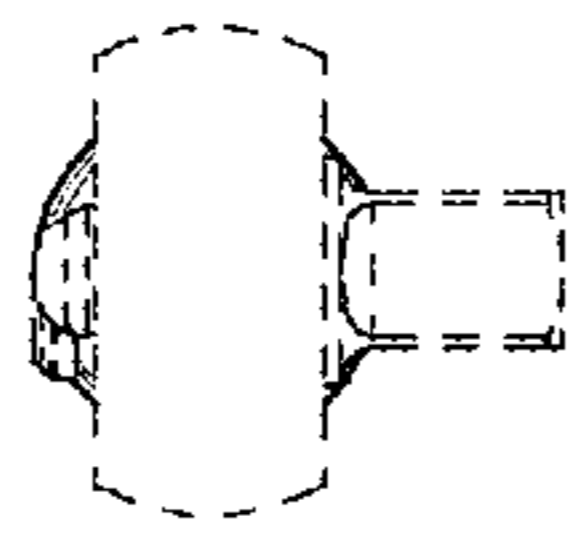


Fig. 4

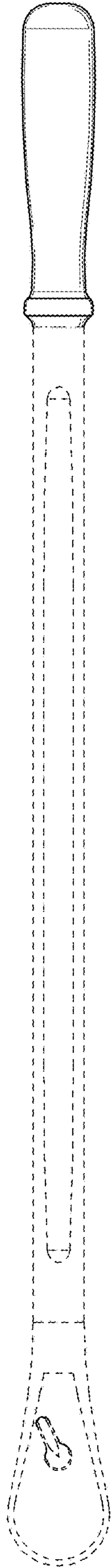


Fig. 6

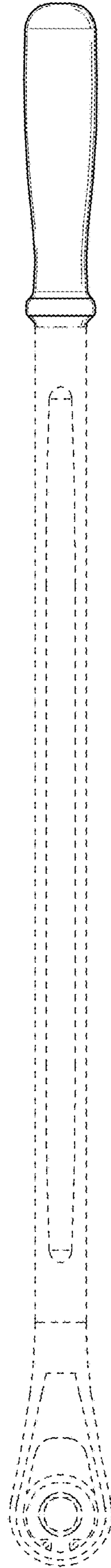


Fig. 7

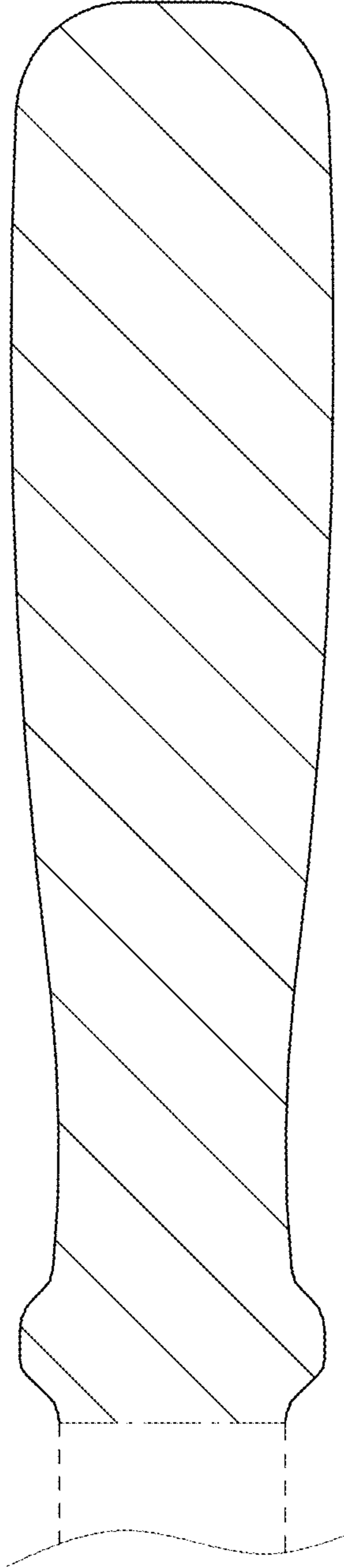


Fig. 8