



US00D897814S

(12) **United States Design Patent**
Parks

(10) **Patent No.:** **US D897,814 S**

(45) **Date of Patent:** **** Oct. 6, 2020**

(54) **FOLDING TOOL WITH DRUM KEY**

(71) Applicant: **GrooveTech Tools, Inc.**, Sonora, CA (US)

(72) Inventor: **Dan Parks**, Sonora, CA (US)

(73) Assignee: **GrooveTech Tools, Inc.**, Sonora, CA (US)

(**) Term: **15 Years**

(21) Appl. No.: **29/674,613**

(22) Filed: **Dec. 21, 2018**

(51) **LOC (12) Cl.** **08-05**

(52) **U.S. Cl.**
USPC **D8/105**

(58) **Field of Classification Search**
USPC D8/105, 81, 88, 89, 14, 16-19, 21, 27,
D8/51, 98, 99, 104, 45, 48
CPC . B25G 1/10; B25B 13/04; B66F 15/00; B66F
17/00
See application file for complete search history.

(56) **References Cited**

U.S. PATENT DOCUMENTS

D427,875 S *	7/2000	Chiu	D8/105
D437,541 S *	2/2001	Hermansen	D8/105
RE37,210 E *	6/2001	Chuang	B25B 13/56 157/1.3
D455,630 S *	4/2002	Chiu	D8/105
D468,987 S *	1/2003	Dreyfus	D8/105
D470,738 S *	2/2003	Kao	D8/105
6,564,678 B1 *	5/2003	Wang	B25B 13/56 7/118
6,751,819 B2 *	6/2004	Chuang	B25B 13/56 157/1.3
6,880,435 B2 *	4/2005	Hawkins	B25B 13/56 7/138
D515,391 S *	2/2006	Hawkins	D8/105

(Continued)

Primary Examiner — Janice Hallmark

(74) *Attorney, Agent, or Firm* — Ice Miller LLP

(57) **CLAIM**

The ornamental design for a folding tool with drum key, as shown and described.

DESCRIPTION

This application incorporates by reference in its entirety the design patent application filed on even date with the title Multi-Tool with Drum Key, U.S. application Ser. No. 29/674,607.

FIG. 1 is a top perspective view of the tool in an expanded configuration;

FIG. 2 is a first side elevation view of the tool in an expanded configuration;

FIG. 3 is a top perspective view of the tool in a retracted configuration;

FIG. 4 is a first side elevation view of the tool in a retracted configuration;

FIG. 5 is a second side elevation view of the tool in a retracted configuration;

FIG. 6 is a bottom perspective view of the tool in an expanded configuration;

FIG. 7 is a second side elevation view of the tool in an expanded configuration;

FIG. 8 is a first end elevation view of the tool in an expanded configuration;

FIG. 9 is a second end elevation view of the tool in an expanded configuration;

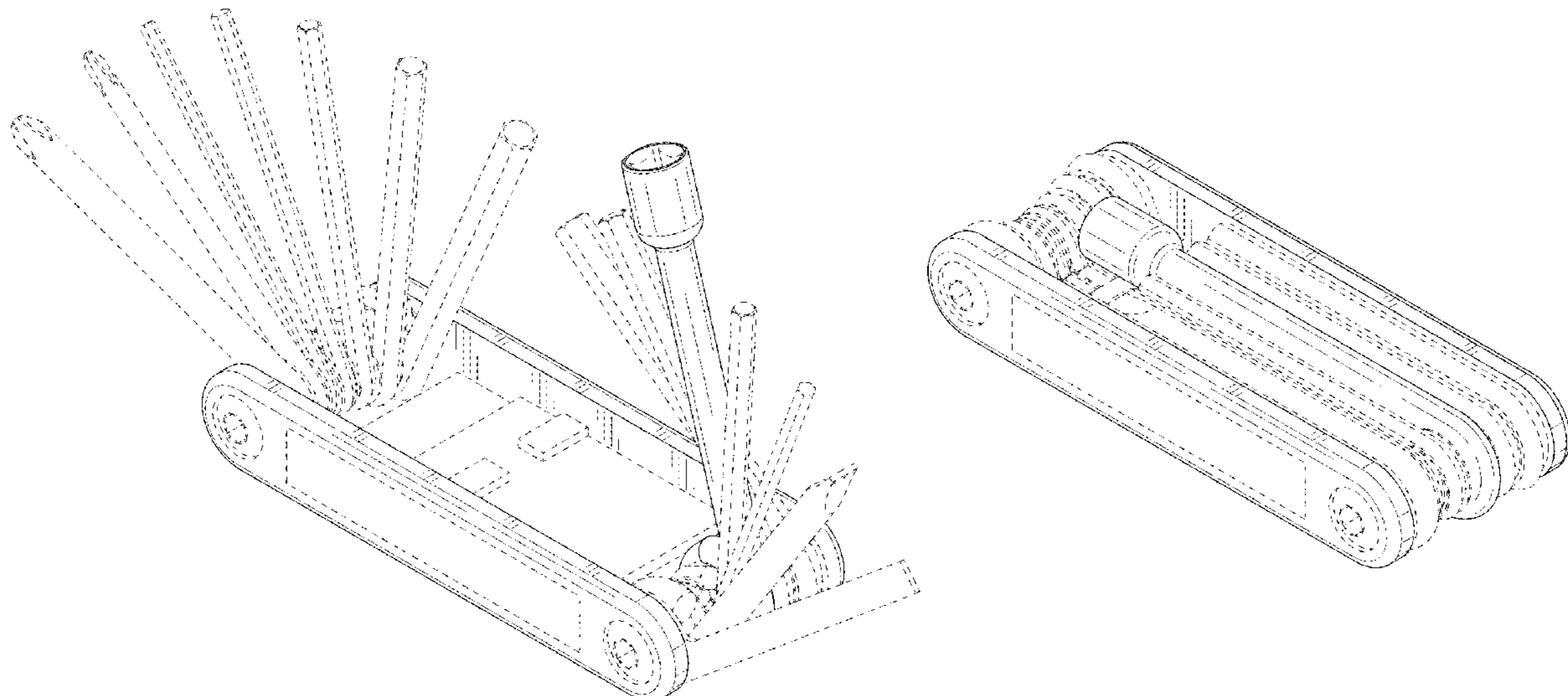
FIG. 10 is a top plan view of the tool in an expanded configuration;

FIG. 11 is a top perspective view of the tool in a retracted configuration; and,

FIG. 12 is a bottom perspective view of the tool in a retracted configuration.

All of the broken lines illustrate portions of the tool that form no part of the claimed design.

1 Claim, 11 Drawing Sheets



US D897,814 S

Page 2

(56)

References Cited

U.S. PATENT DOCUMENTS

7,140,280 B2 * 11/2006 Hawkins B25B 13/56
81/440
D542,111 S * 5/2007 Te D8/105
D544,329 S * 6/2007 Tansbo D8/105
D549,542 S * 8/2007 Chiang D8/105
7,281,456 B2 * 10/2007 Chiang B25B 15/008
7/138
7,299,514 B2 * 11/2007 Wu B25B 27/0071
59/11
7,481,137 B1 * 1/2009 Johnson B25B 13/56
30/161
D622,125 S * 8/2010 Robinson D26/38
7,900,540 B1 * 3/2011 Te B25F 1/04
7/128
RE44,675 E * 12/2013 Hawkins B25G 1/085
7/138

9,227,315 B2 * 1/2016 Hermansen B25B 15/008
9,457,460 B2 * 10/2016 Hermansen B25F 1/02
D840,208 S * 2/2019 Scott B25F 1/04
D8/107
D865,481 S * 11/2019 Park D8/105
D866,286 S * 11/2019 Parks D8/105
2003/0066396 A1 * 4/2003 Chuang B25B 15/008
81/440
2003/0074738 A1 * 4/2003 Chuang B25B 13/56
7/100
2005/0204721 A1 * 9/2005 Wu B25B 27/0071
59/4
2006/0042428 A1 * 3/2006 Chuang B25B 27/0071
81/440
2011/0289693 A1 * 12/2011 Tsai B25F 1/04
7/118
2014/0182418 A1 * 7/2014 Chen B25B 27/0071
76/117
2019/0152040 A1 * 5/2019 Parks B25F 1/04

* cited by examiner

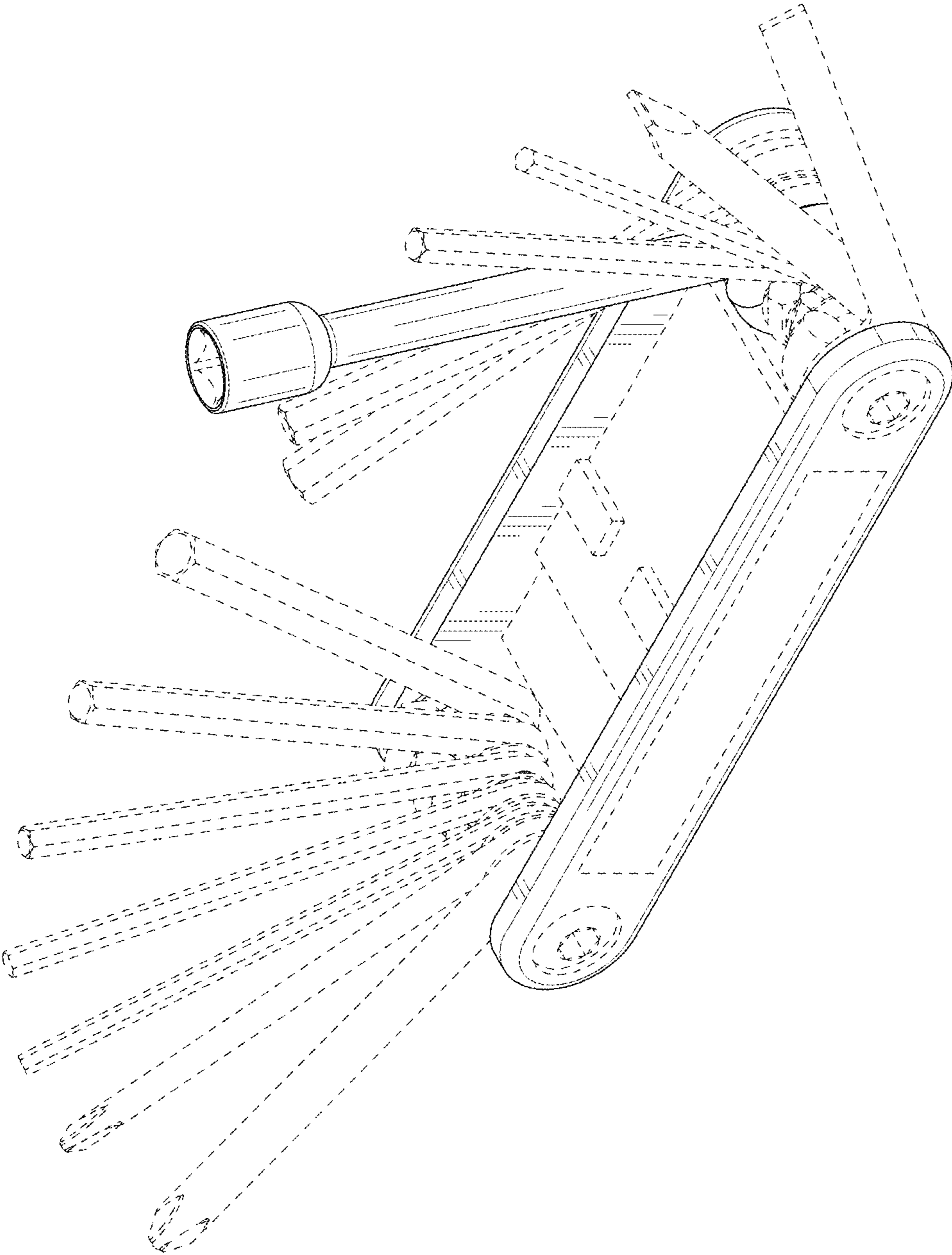


FIG. 1

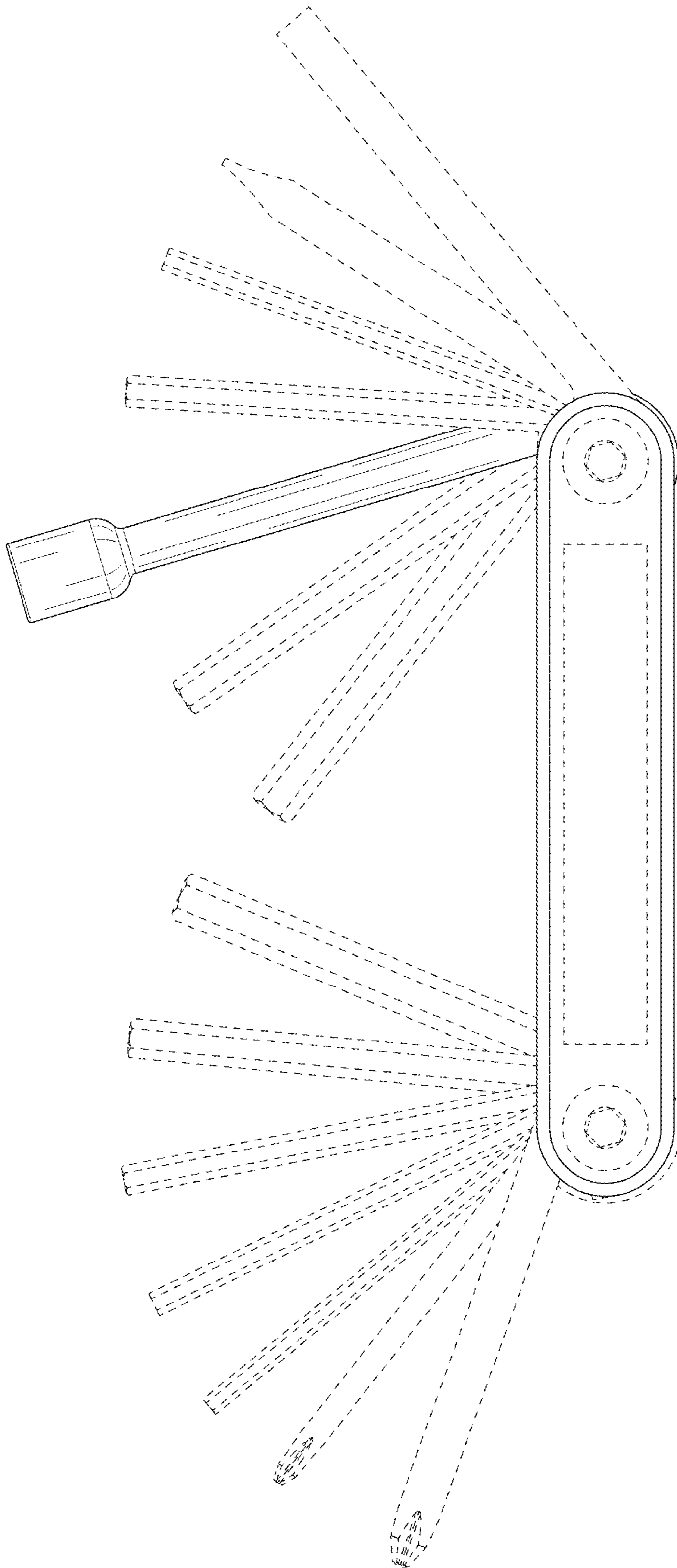


FIG. 2

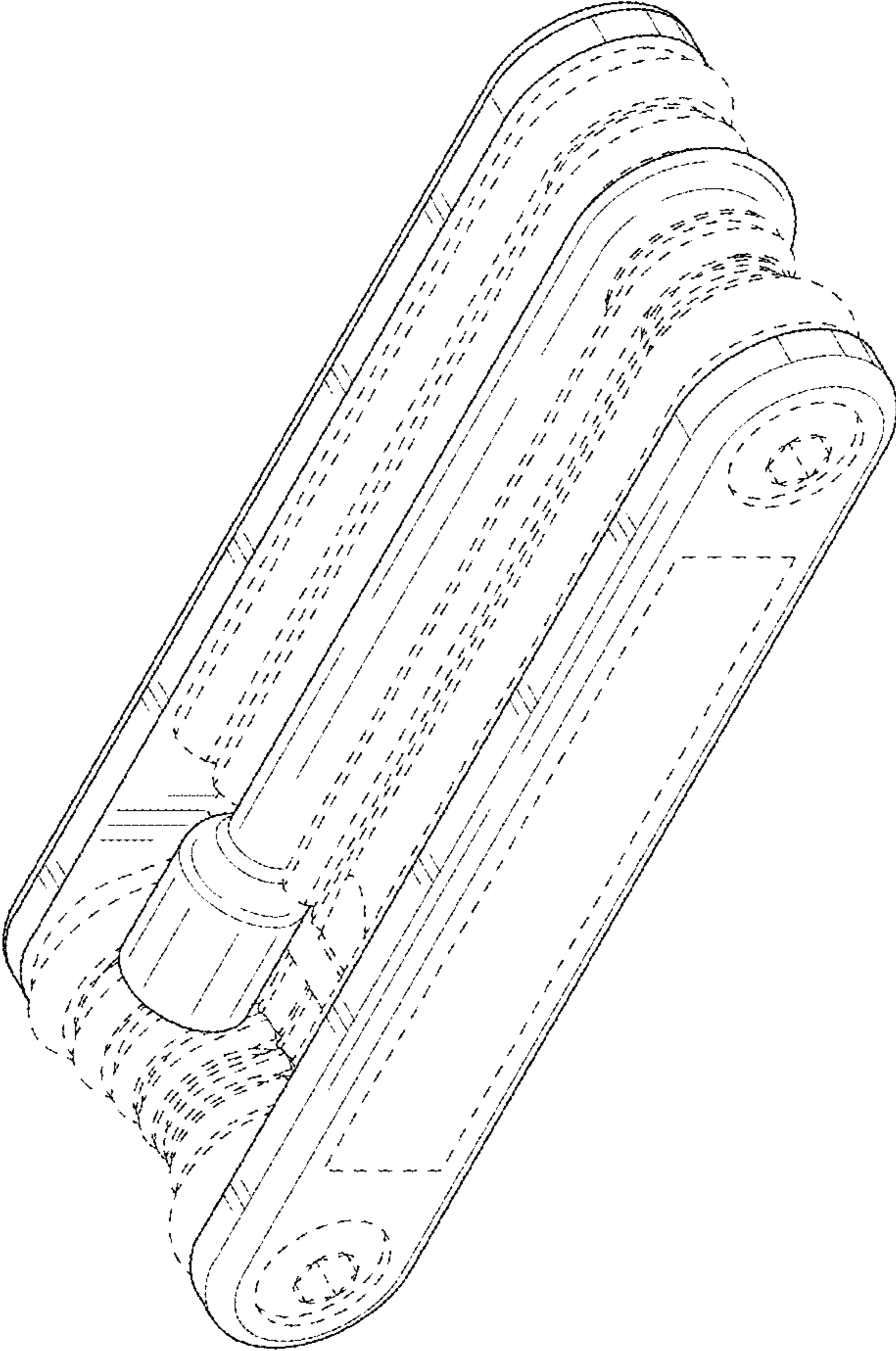


FIG. 3

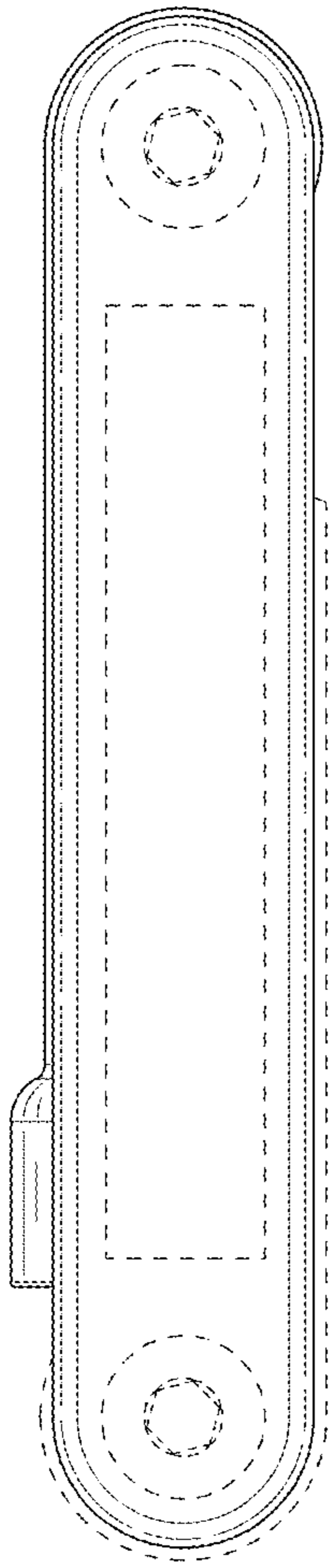


FIG. 4

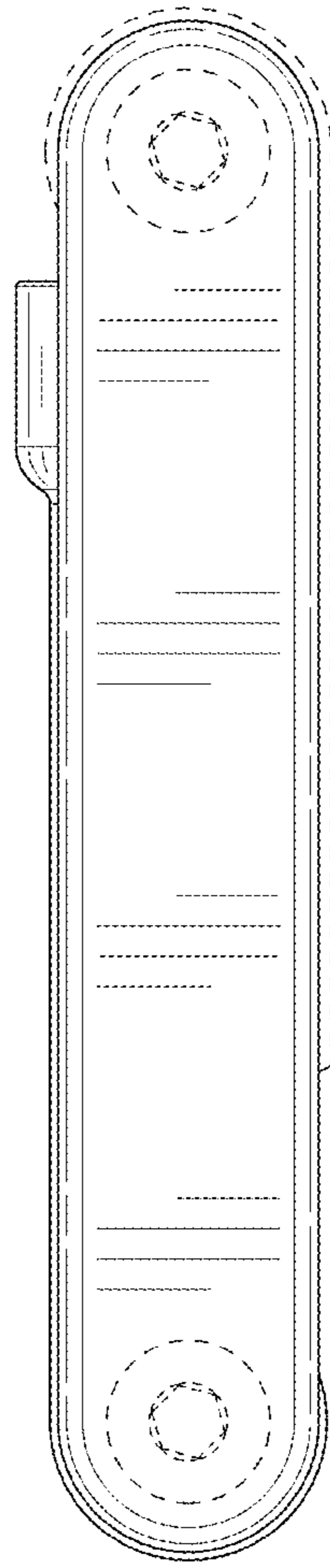


FIG. 5

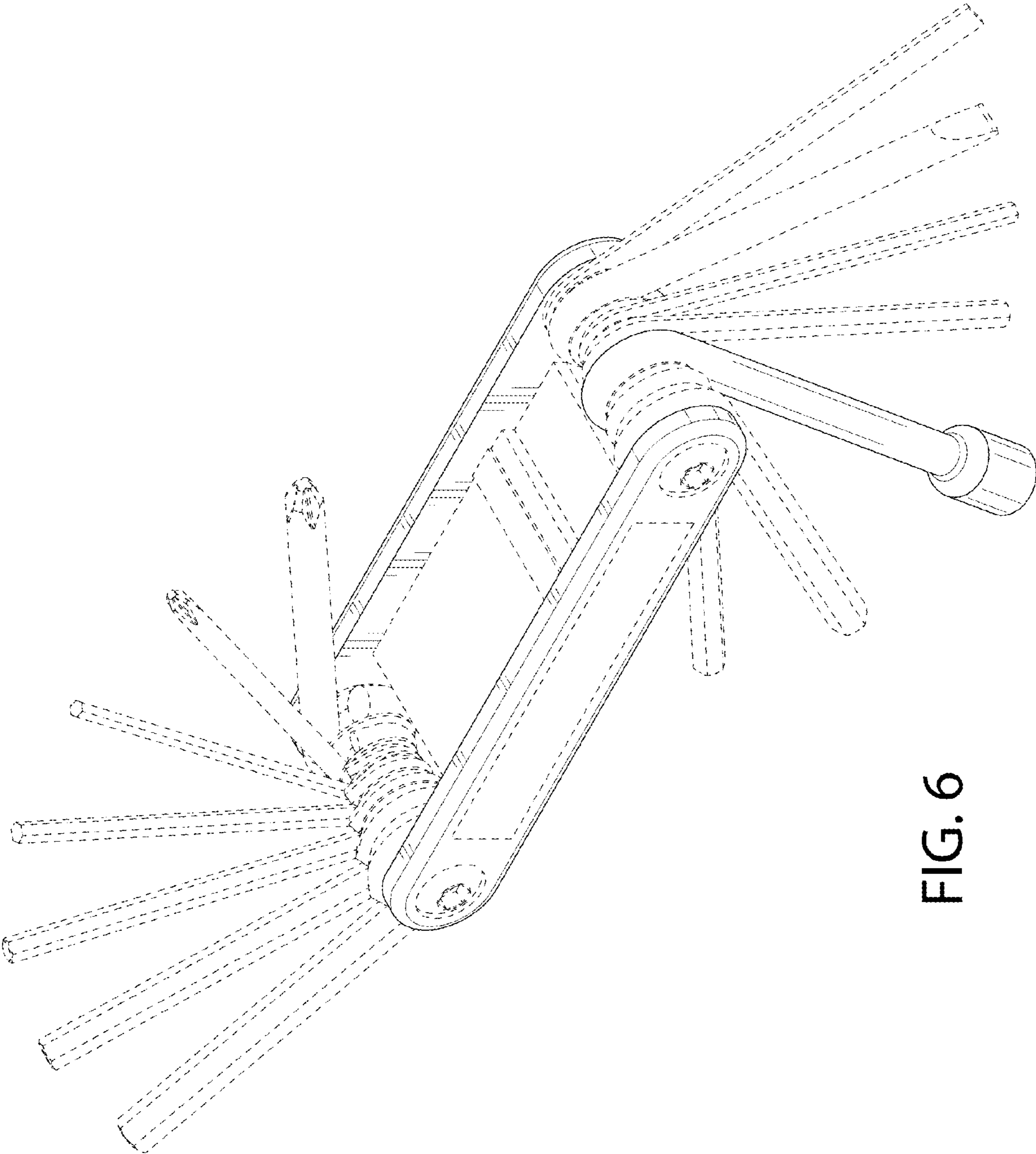


FIG. 6

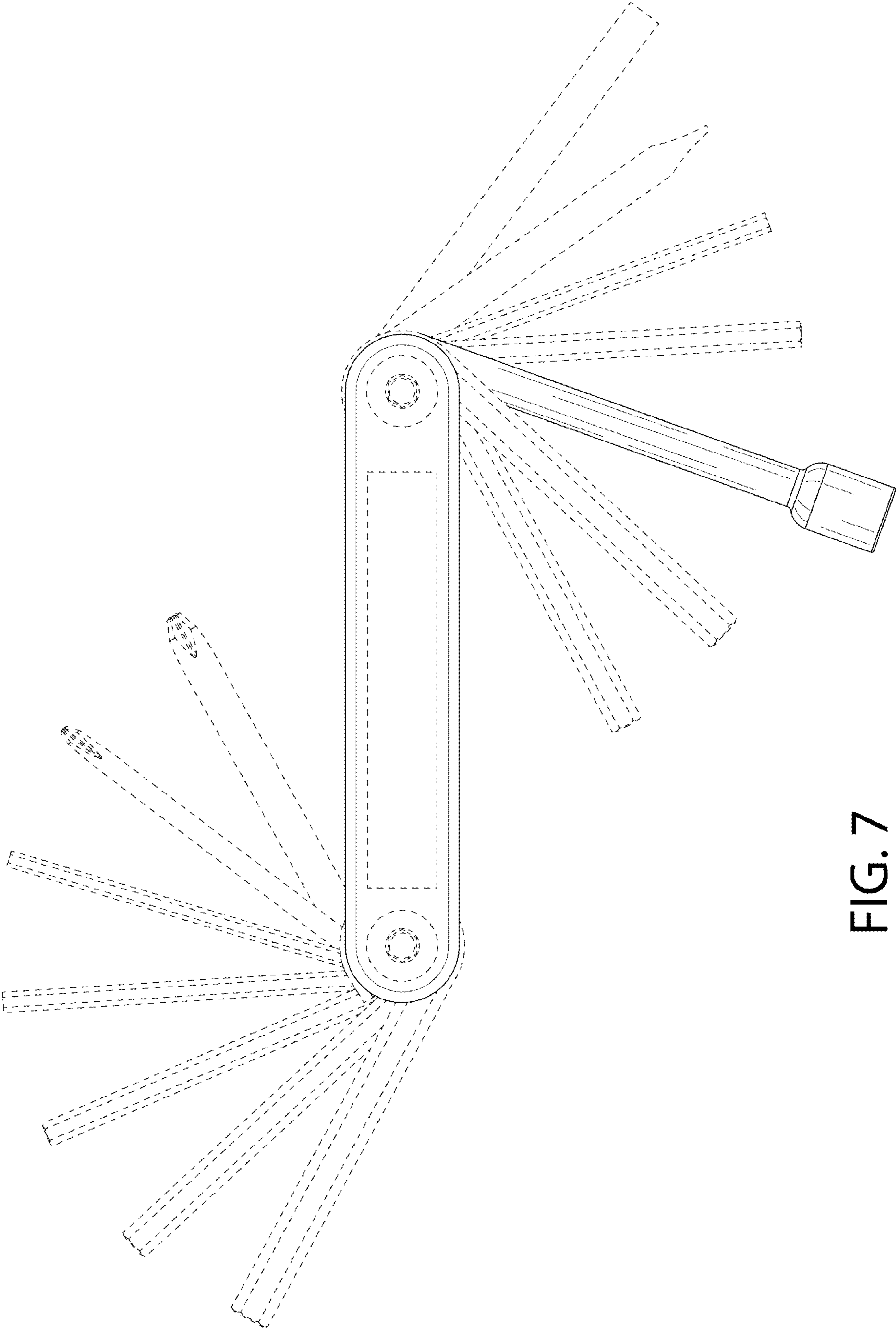


FIG. 7

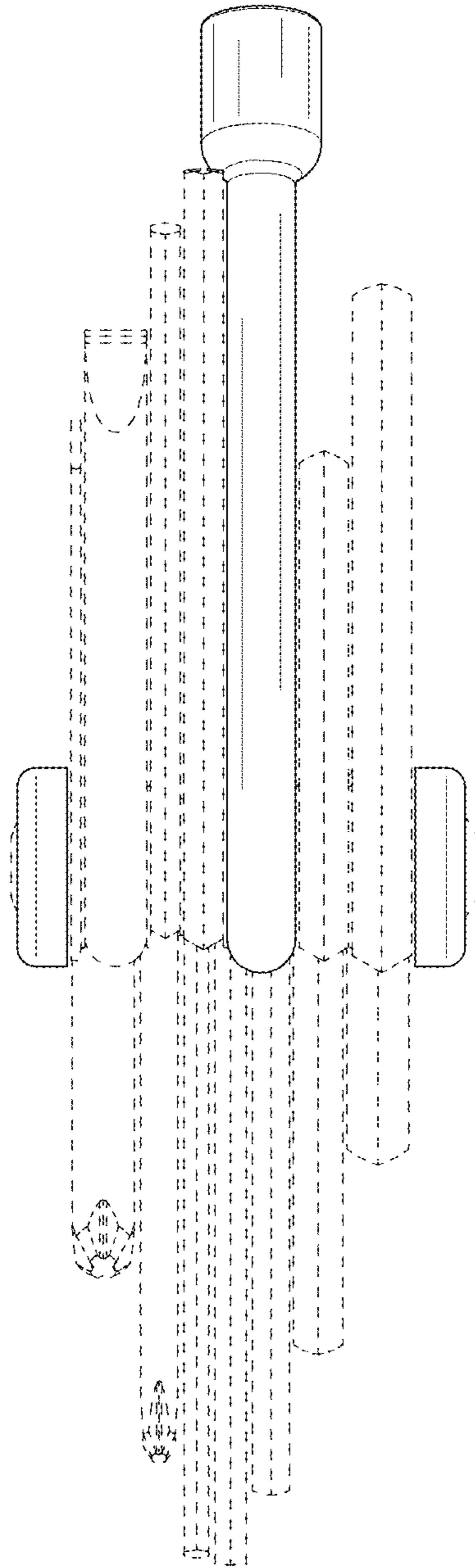


FIG. 8

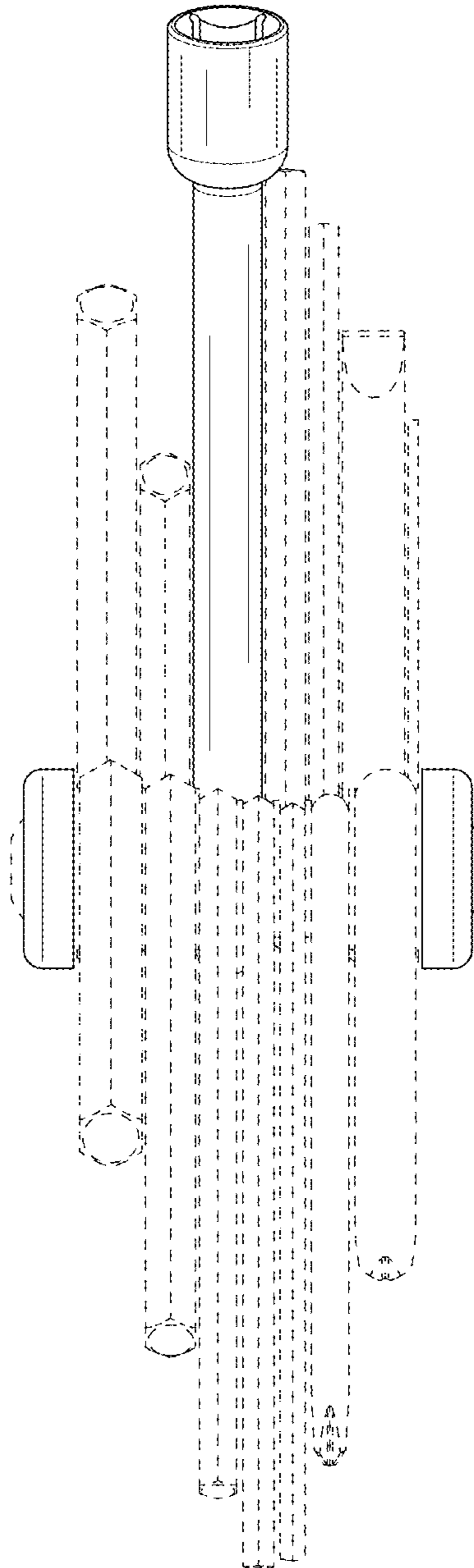


FIG. 9

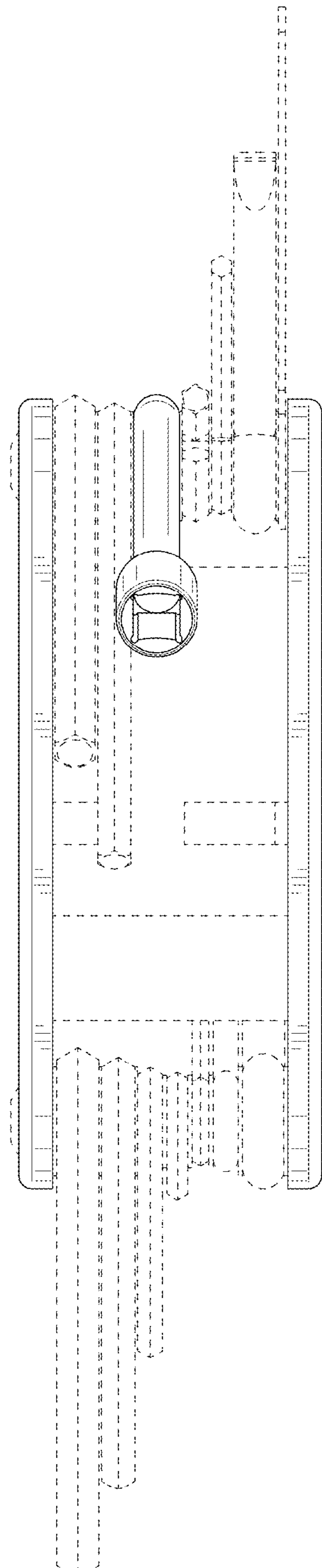


FIG. 10

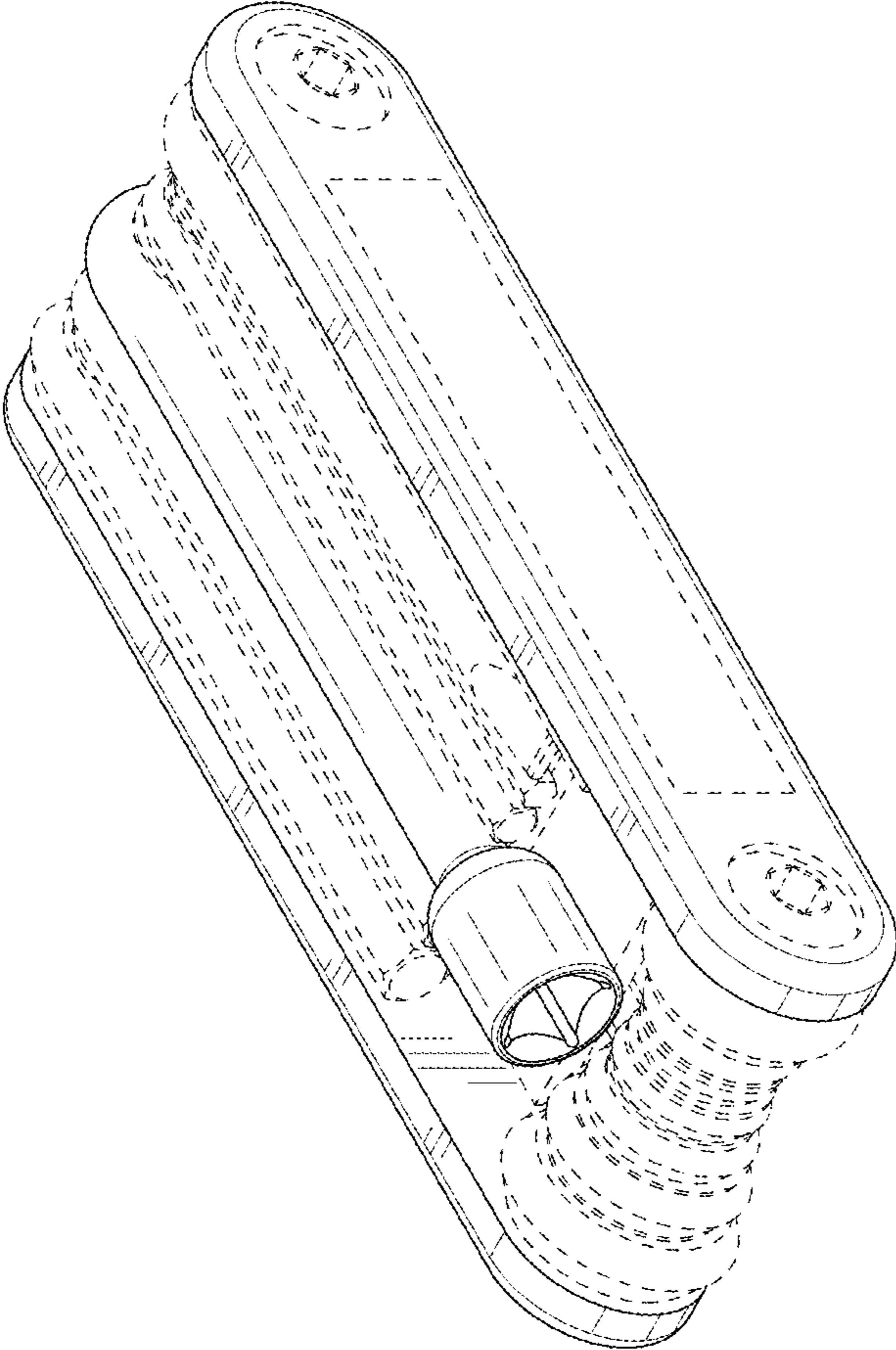


FIG. 11

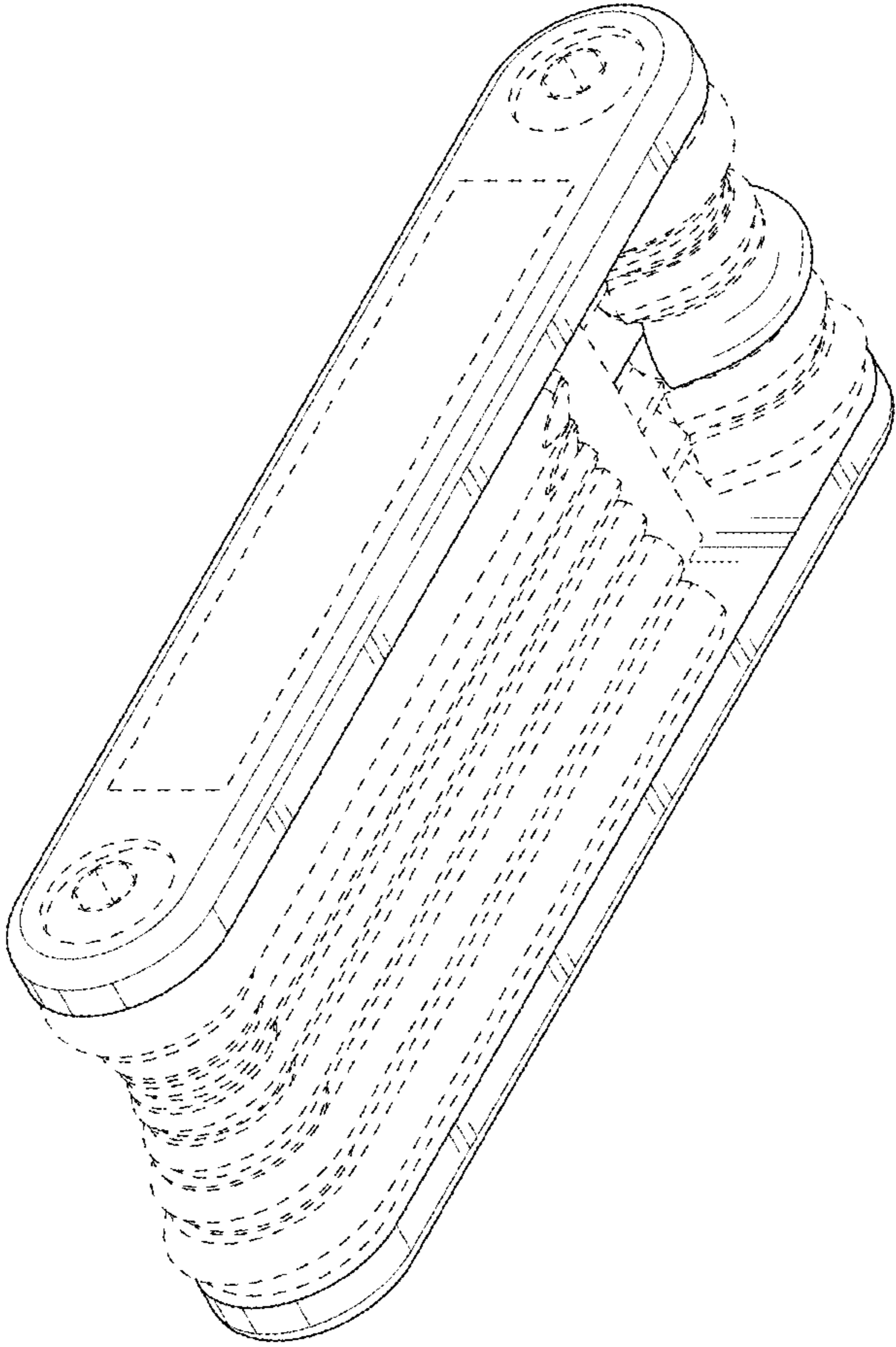


FIG. 12